



US00D617926S

(12) **United States Design Patent**
Kung

(10) **Patent No.:** **US D617,926 S**
(45) **Date of Patent:** **** Jun. 15, 2010**

(54) **LAMP UNIT**

(75) Inventor: **Kenneth Kung**, Columbus, OH (US)

(73) Assignee: **Dorcy International Inc.**, Columbus, OH (US)

(**) Term: **14 Years**

(21) Appl. No.: **29/344,194**

(22) Filed: **Sep. 25, 2009**

(51) **LOC (9) Cl.** **26-02**

(52) **U.S. Cl.** **D26/46**

(58) **Field of Classification Search** D26/37,
D26/38, 39, 40, 42, 46, 49, 48; 362/157,
362/158, 171-174, 194-196, 202-208
See application file for complete search history.

(56) **References Cited**

U.S. PATENT DOCUMENTS

D308,257 S *	5/1990	Staubitz et al.	D26/49
D428,506 S *	7/2000	Garrity et al.	D26/49
D494,694 S *	8/2004	Krieger et al.	D26/37
D504,737 S *	5/2005	Osiecki et al.	D26/37

D534,288 S *	12/2006	Krieger et al.	D26/38
D545,469 S *	6/2007	Wikle et al.	D26/42
D546,489 S *	7/2007	Yuen	D26/42
D598,151 S *	8/2009	McGraw	D26/49
D605,795 S *	12/2009	Baker et al.	D26/44
D606,221 S *	12/2009	Kung	D26/49

* cited by examiner

Primary Examiner—Ian Simmons
Assistant Examiner—Carissa C Fitts

(57) **CLAIM**

The ornamental design for a lamp unit, as shown.

DESCRIPTION

FIG. 1 is a front elevational view of a lamp unit showing my new design;

FIG. 2 is a rear elevational view thereof;

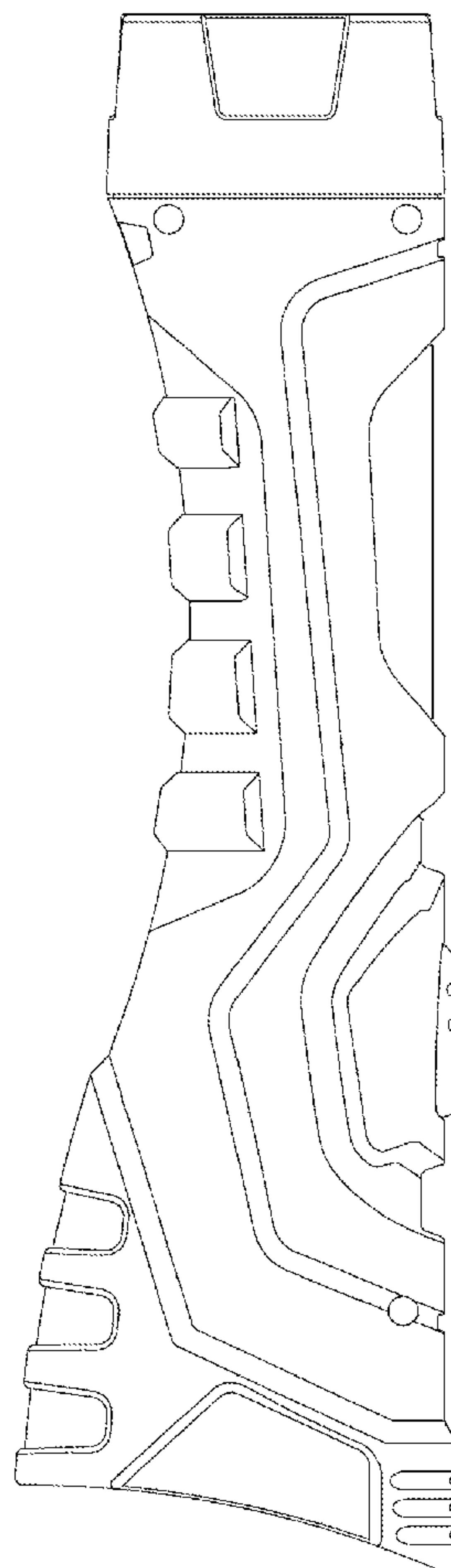
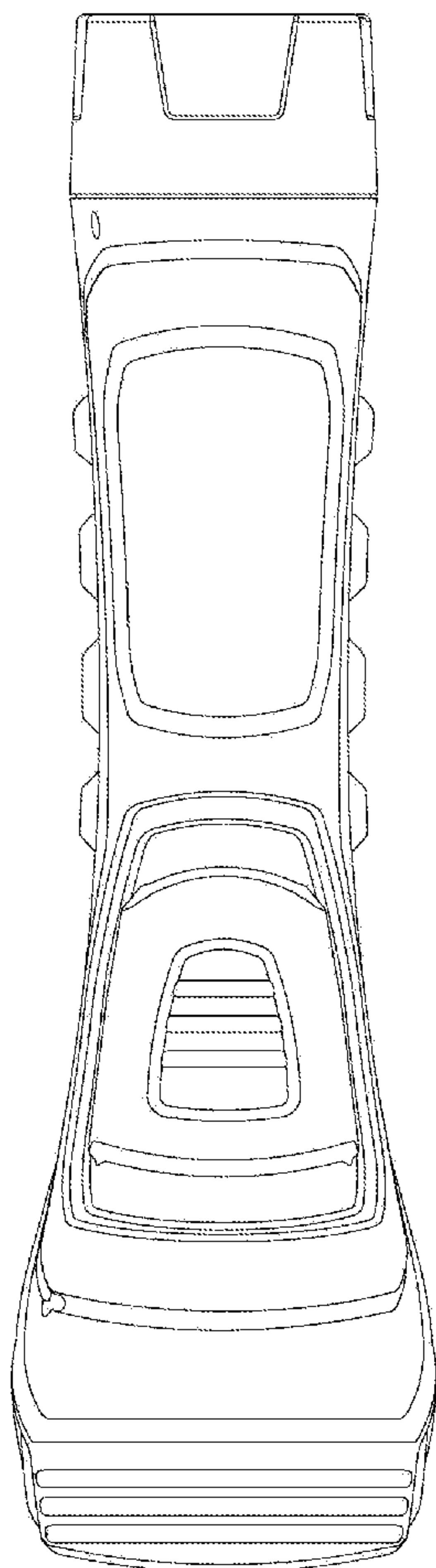
FIG. 3 is a left side view thereof;

FIG. 4 is a right side view thereof;

FIG. 5 is a top plan view thereof; and,

FIG. 6 is a bottom plan view thereof.

1 Claim, 3 Drawing Sheets



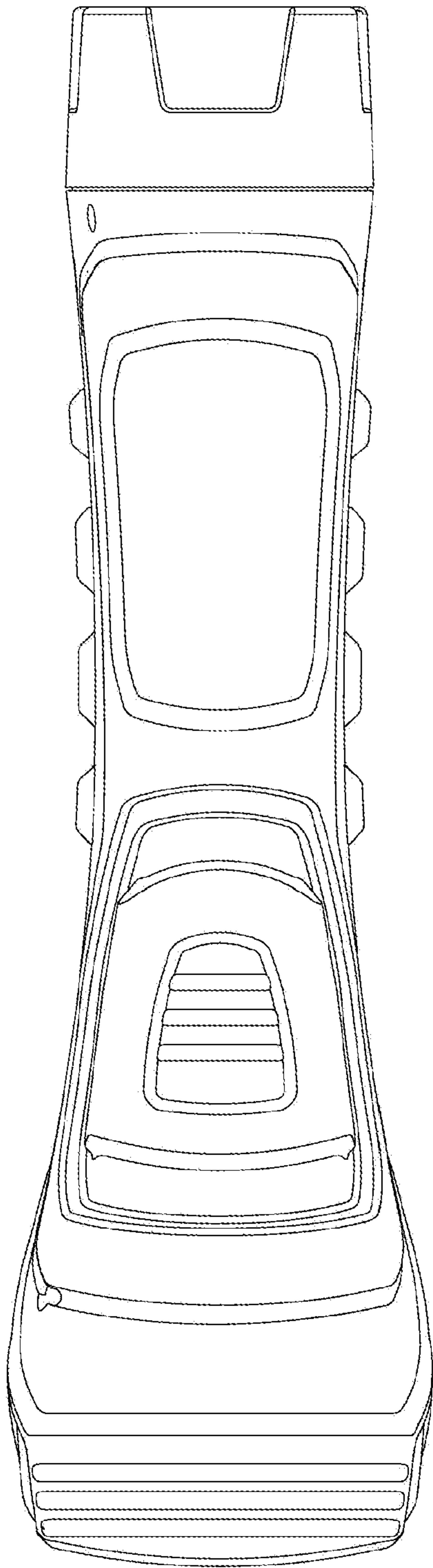


FIG. 1

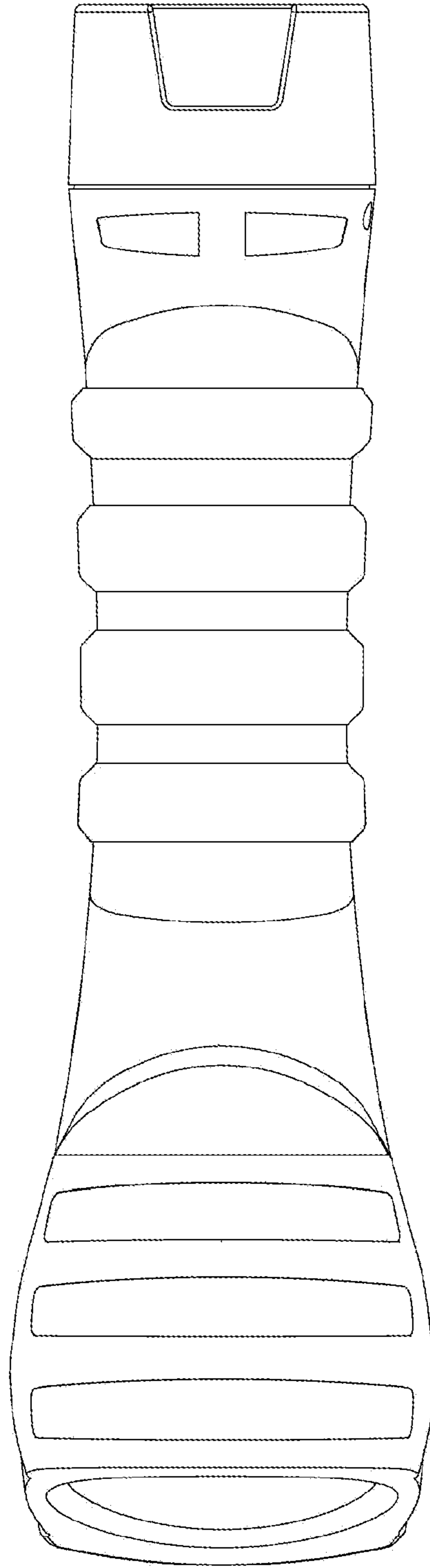


FIG. 2

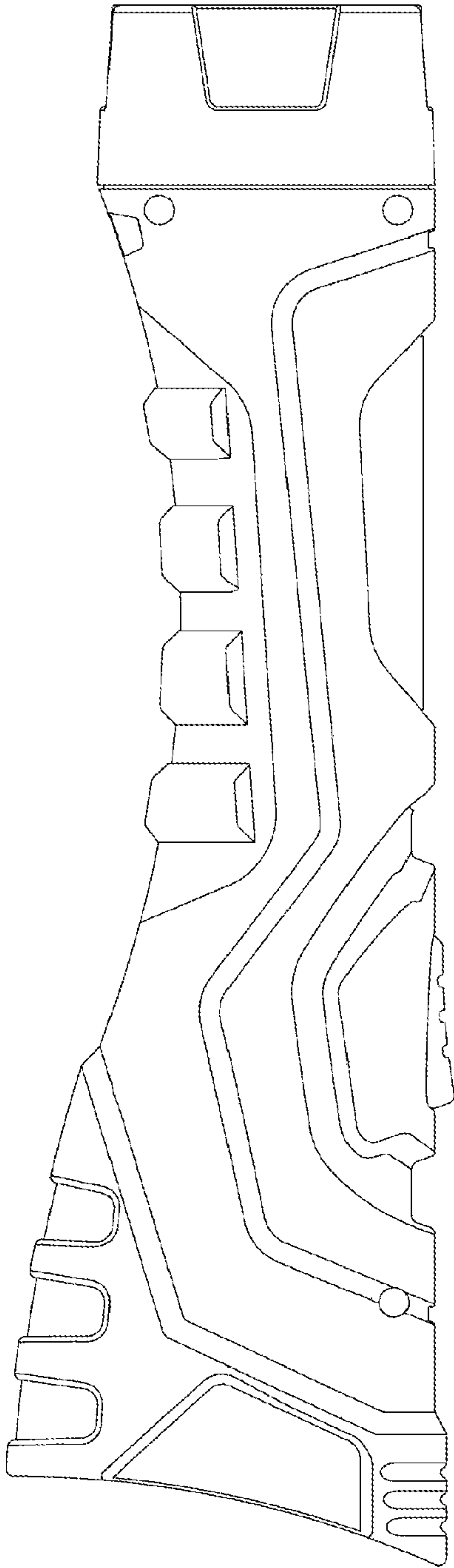


FIG. 3

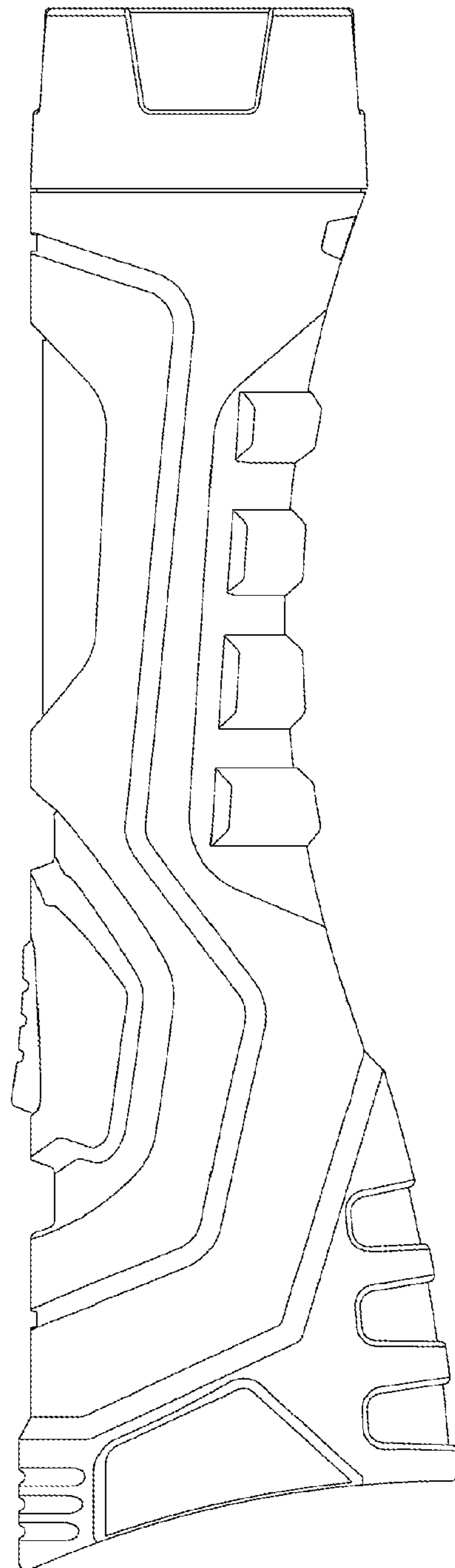


FIG. 4

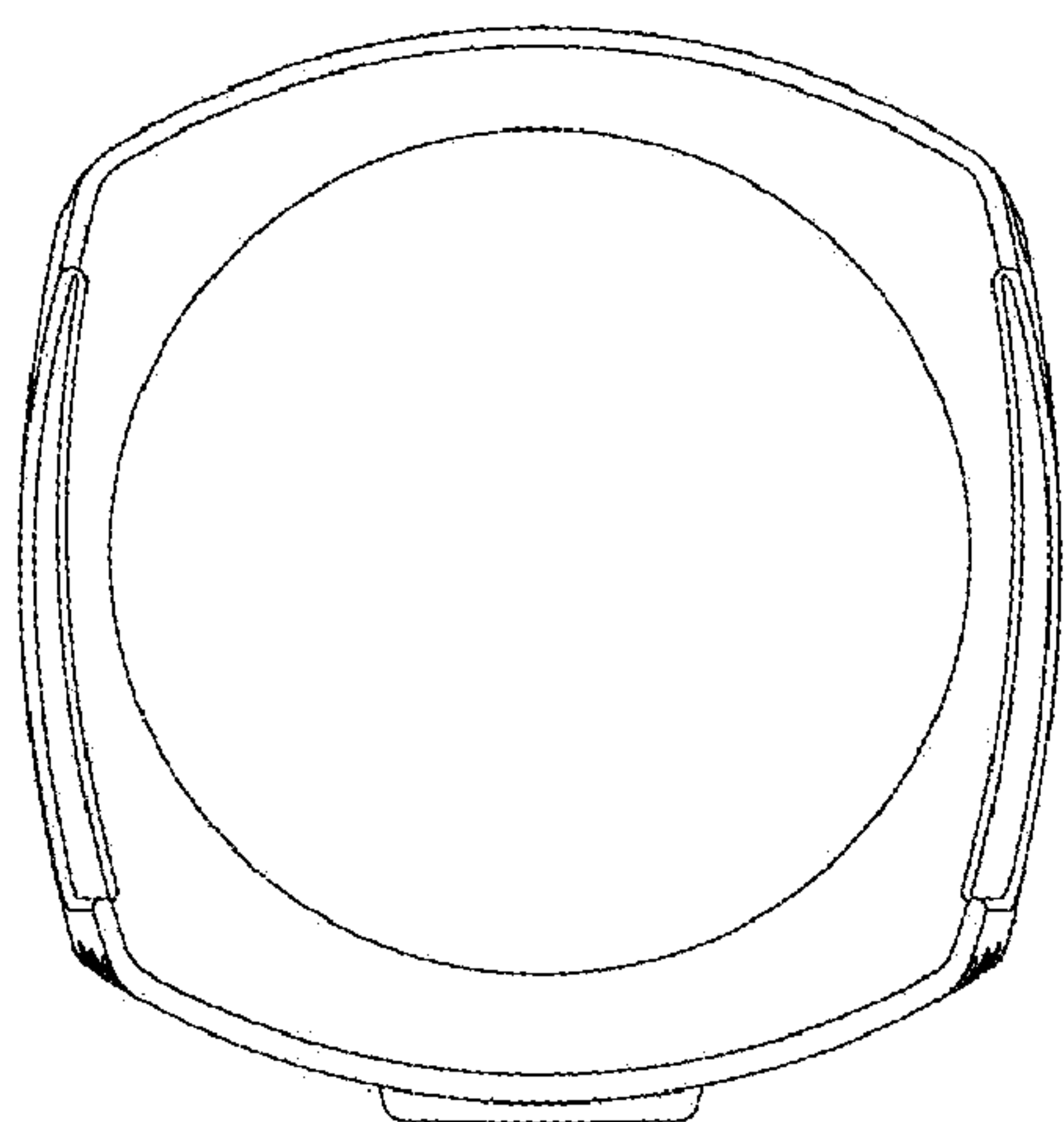


FIG. 5

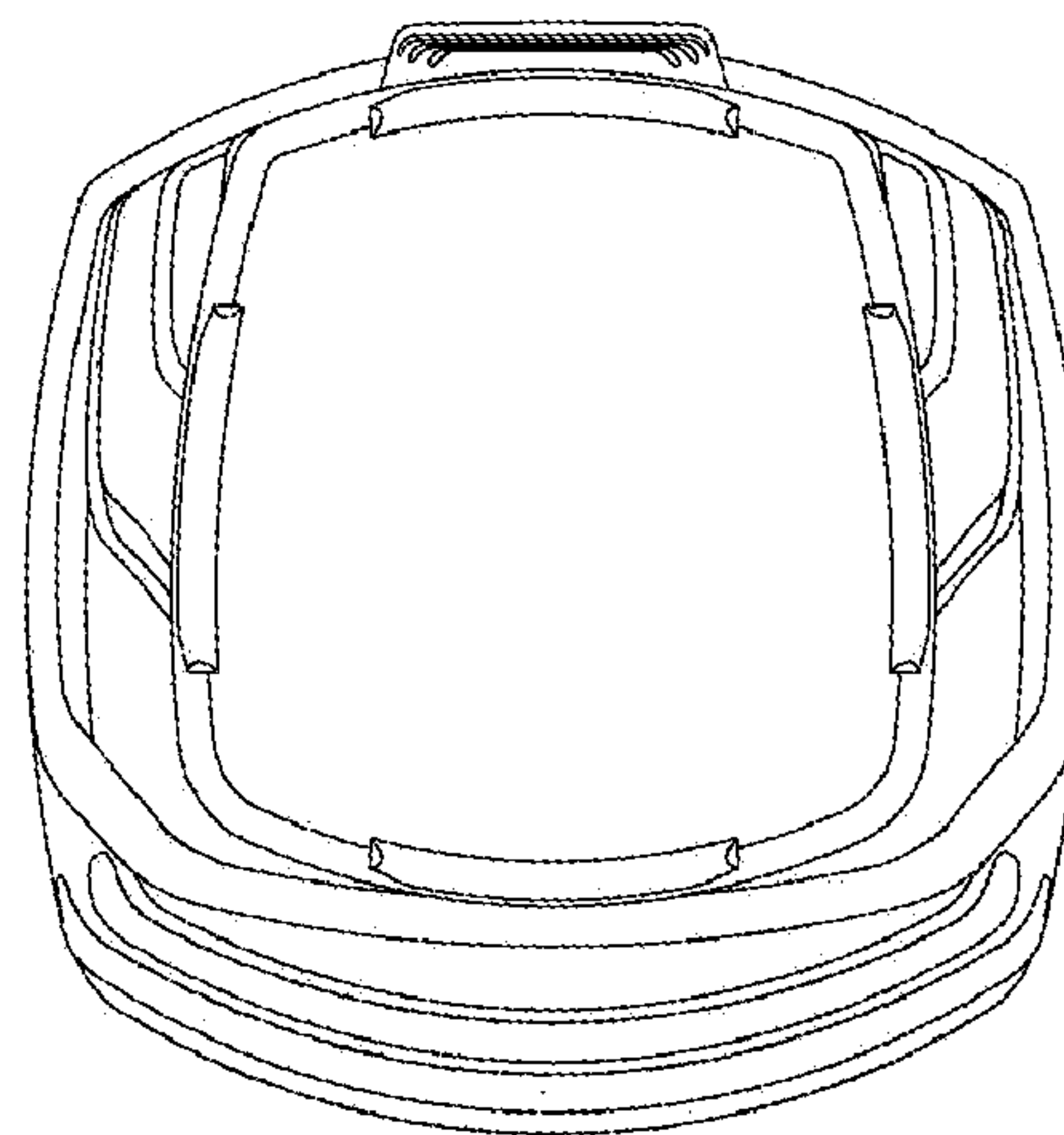


FIG. 6