



US00D617915S

(12) **United States Design Patent**  
**Wada et al.**

(10) **Patent No.:** **US D617,915 S**  
(45) **Date of Patent:** **\*\* Jun. 15, 2010**

- (54) **LIGHT EMITTING DIODE LAMP**
- (75) Inventors: **Asuka Wada**, Kanagawa (JP); **Aiko Hiraga**, Kanagawa (JP)
- (73) Assignees: **Toshiba Lighting & Technology Corporation**, Kanagawa (JP); **Kabushiki Kaisha Toshiba**, Tokyo (JP)
- (\*\*) Term: **14 Years**
- (21) Appl. No.: **29/351,585**
- (22) Filed: **Dec. 8, 2009**
- (30) **Foreign Application Priority Data**  
Jun. 10, 2009 (JP) ..... 2009-013173
- (51) **LOC (9) Cl.** ..... **26-06**
- (52) **U.S. Cl.** ..... **D26/2**
- (58) **Field of Classification Search** ..... D26/1-4;  
313/313, 315, 316, 317, 318, 493; 315/52,  
315/53, 56, 57, 58  
See application file for complete search history.

D581,556 S \* 11/2008 To et al. .... D26/2  
D600,367 S \* 9/2009 Bertram et al. .... D26/2  
D601,278 S \* 9/2009 Takahashi ..... D26/2

**FOREIGN PATENT DOCUMENTS**

EM 000812359-0004 12/2007  
EM 001021000-0001 12/2008

\* cited by examiner

*Primary Examiner*—Marcus A Jackson  
(74) *Attorney, Agent, or Firm*—J.C. Patents

(57) **CLAIM**

The ornamental design for a light emitting diode lamp, as shown and described.

**DESCRIPTION**

FIG. 1 is a perspective view of a light emitting diode lamp showing our new design;  
FIG. 2 is a front view thereof;  
FIG. 3 is a rear view thereof;  
FIG. 4 is a left side view thereof;  
FIG. 5 is a right side view thereof;  
FIG. 6 is a top view thereof; and,  
FIG. 7 is a bottom view thereof.

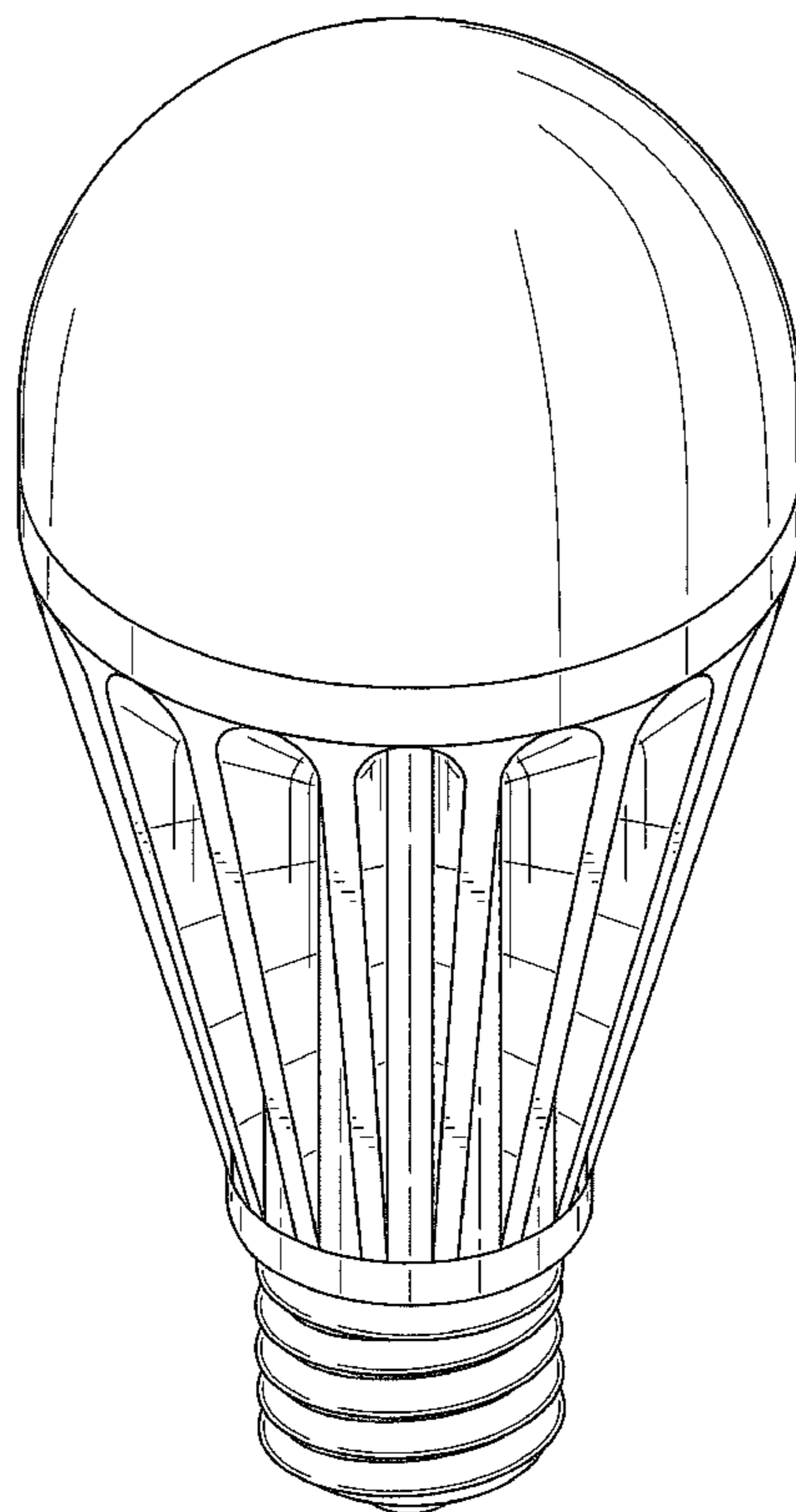
The cover of the claimed light emitting diode lamp covering the light sources thereof is pervious to light.

**1 Claim, 6 Drawing Sheets**

(56) **References Cited**

**U.S. PATENT DOCUMENTS**

D508,575 S \* 8/2005 Buschmann et al. .... D26/2  
D528,227 S \* 9/2006 Chou et al. .... D26/2  
D531,741 S \* 11/2006 Takahashi ..... D26/2  
D534,665 S \* 1/2007 Egawa et al. .... D26/2



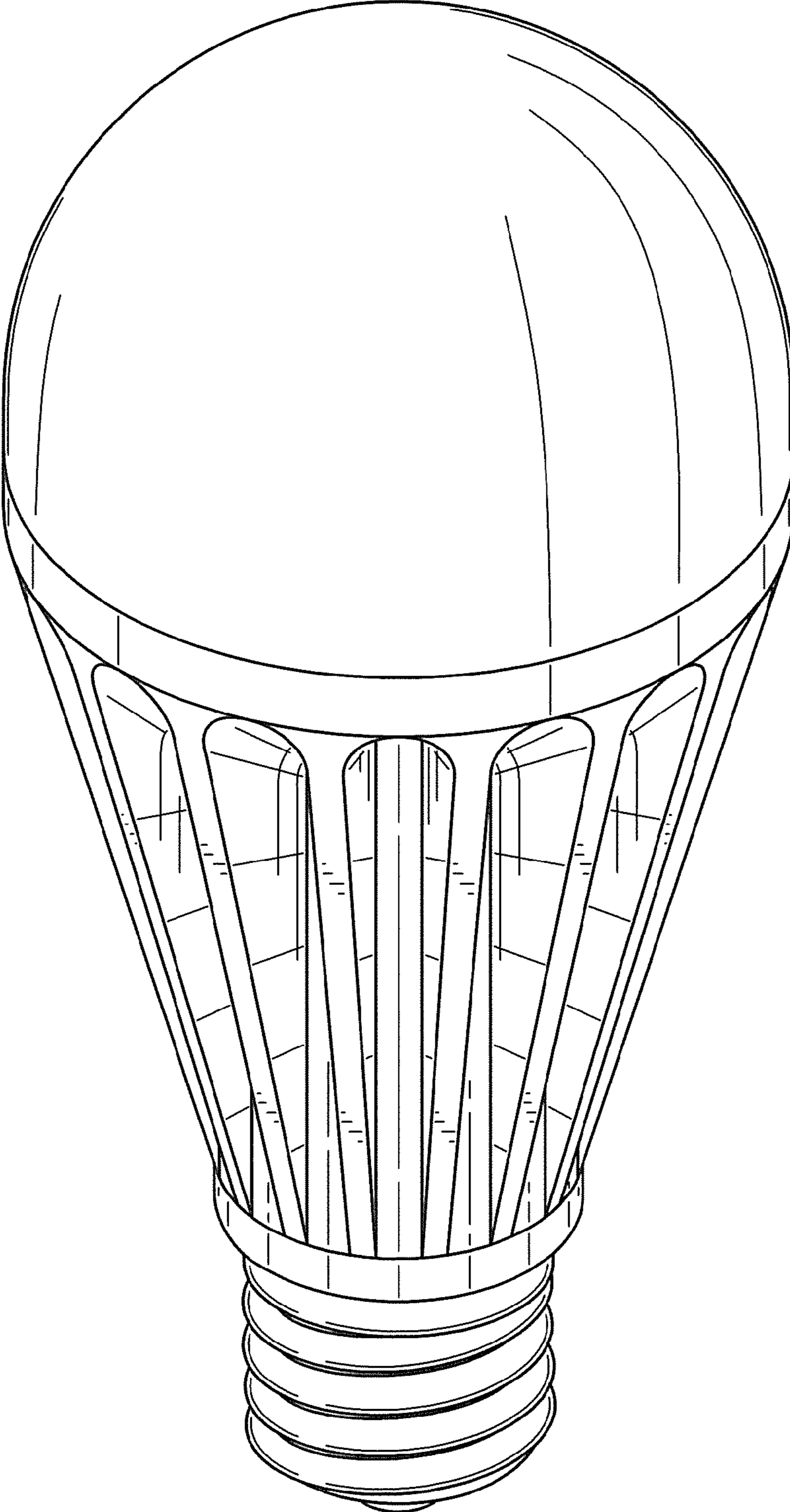


FIG. 1

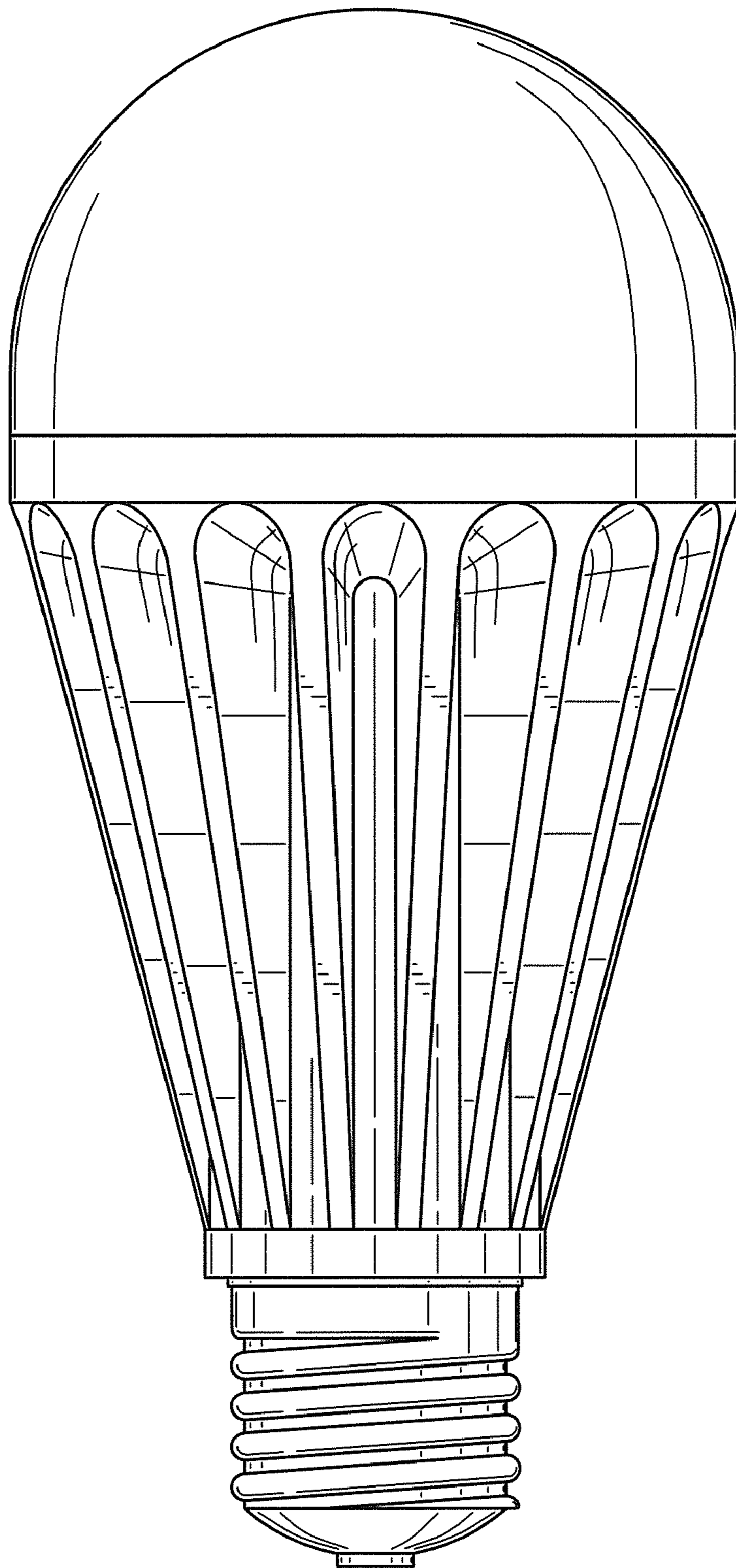


FIG. 2

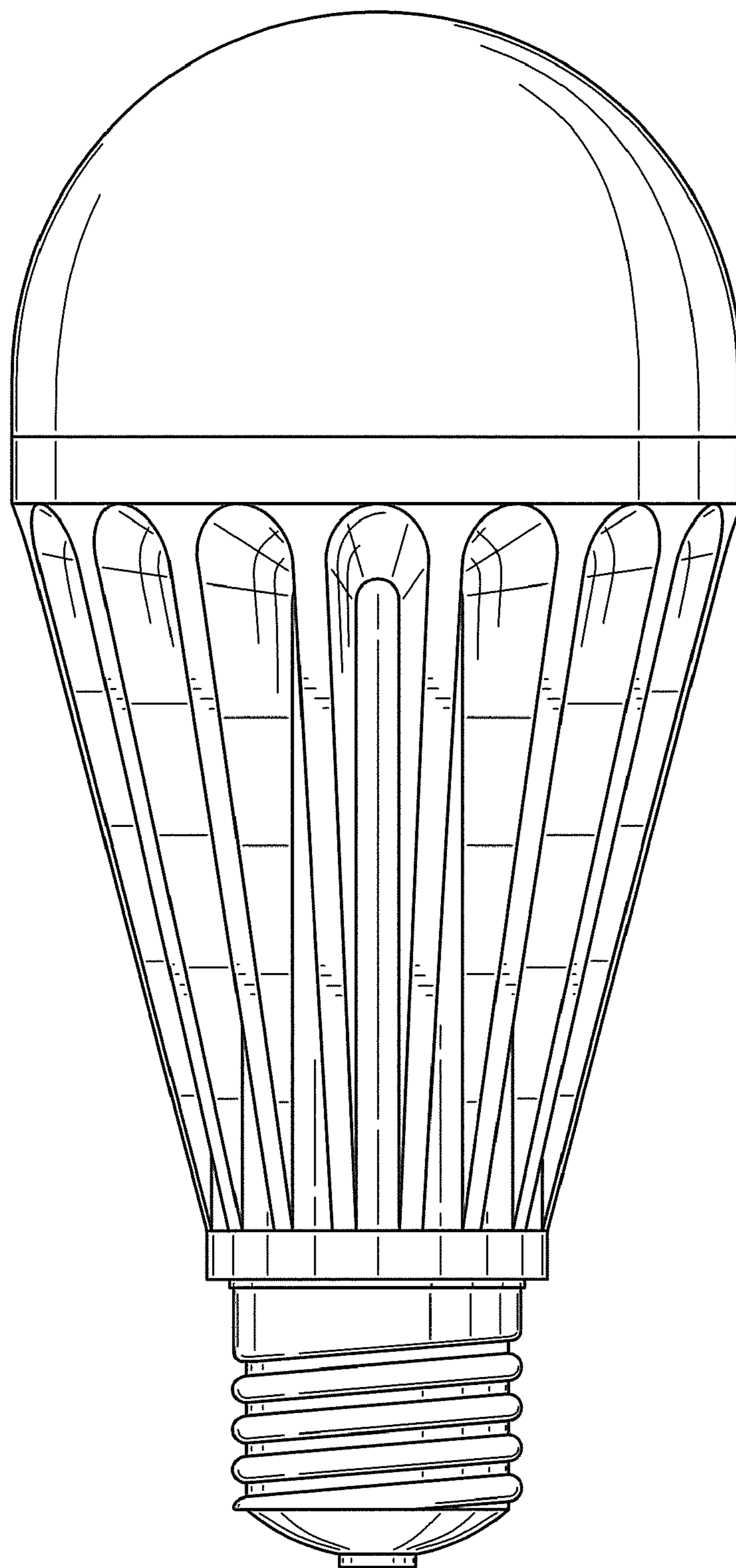


FIG. 3

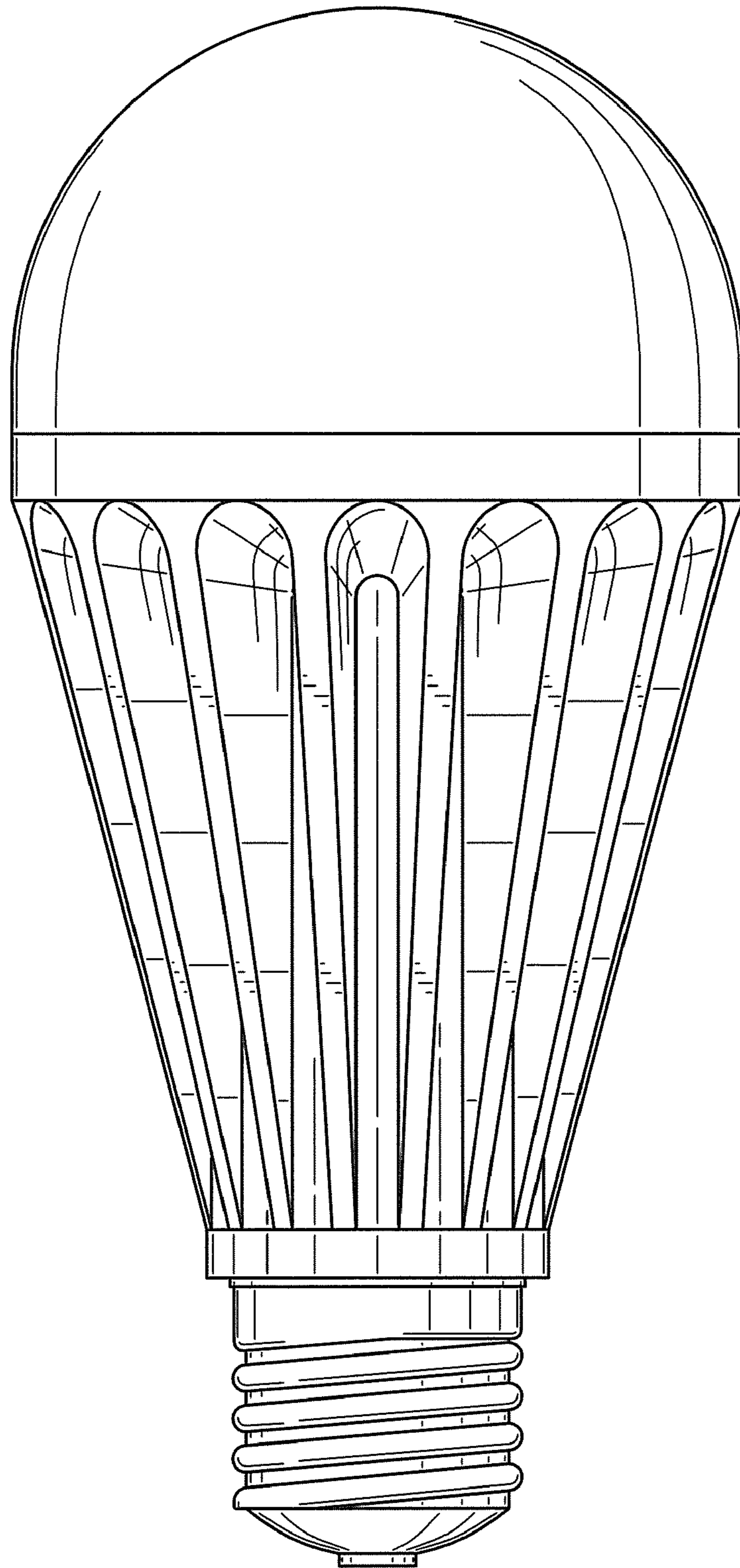


FIG. 4

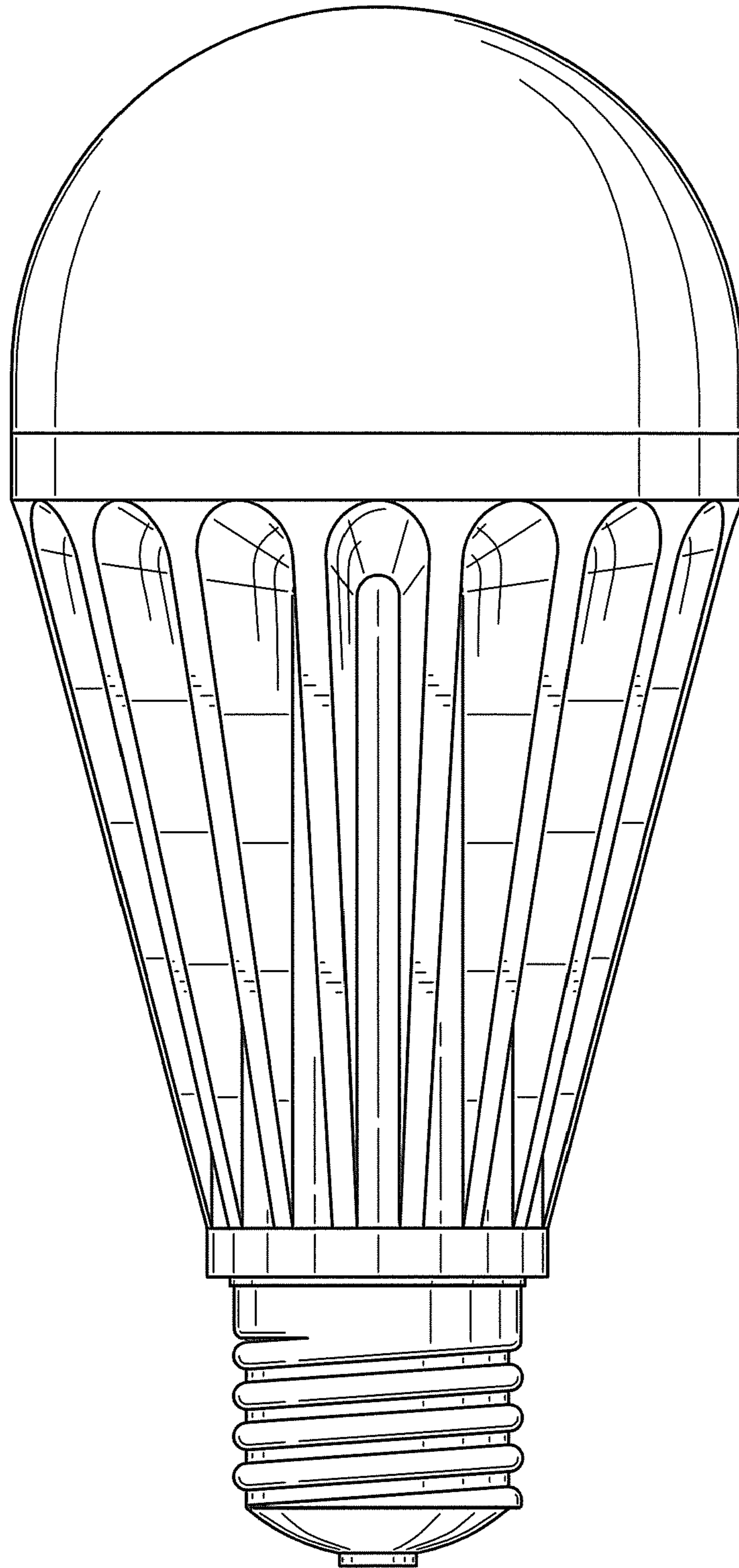


FIG. 5

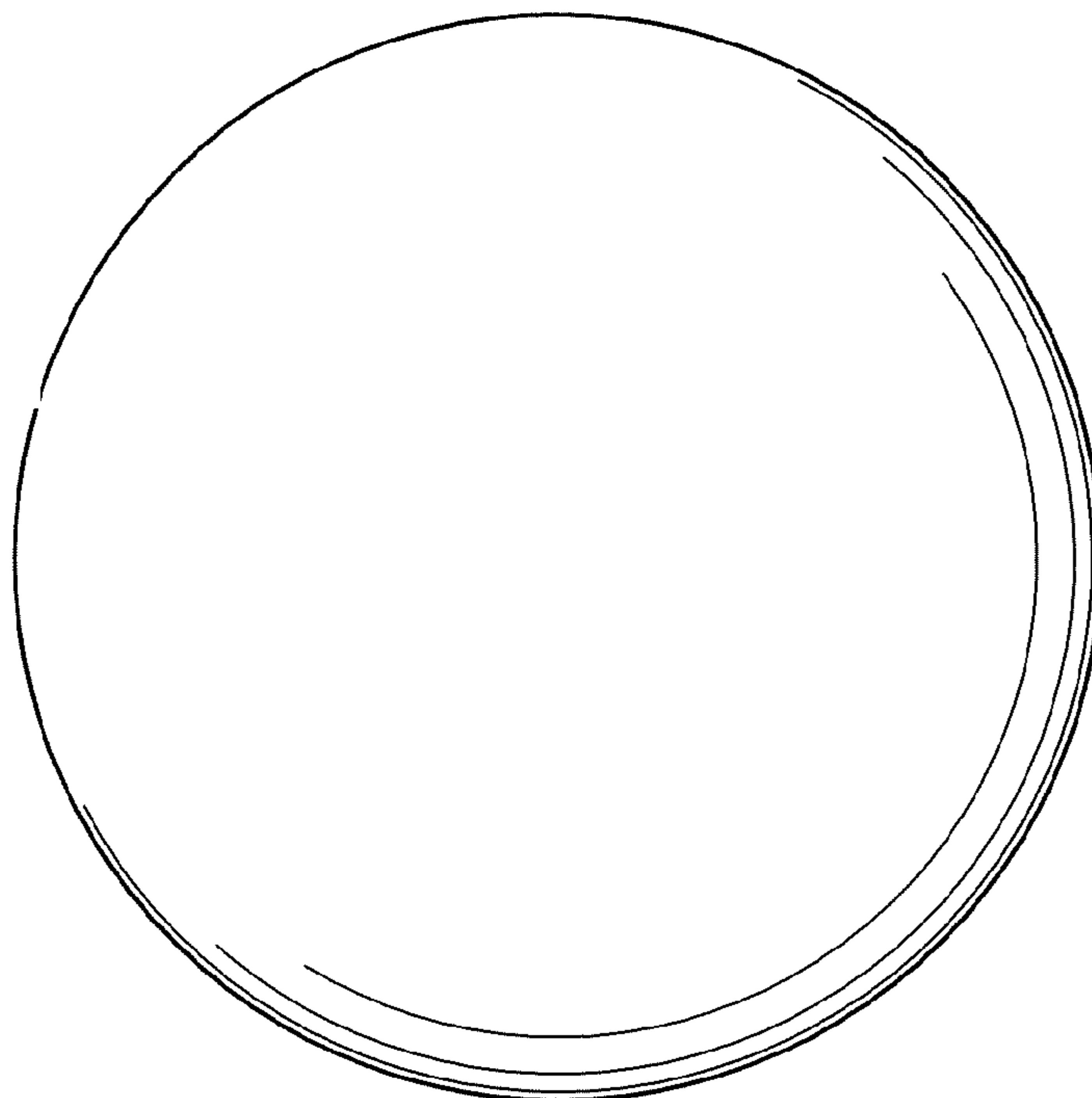


FIG. 6

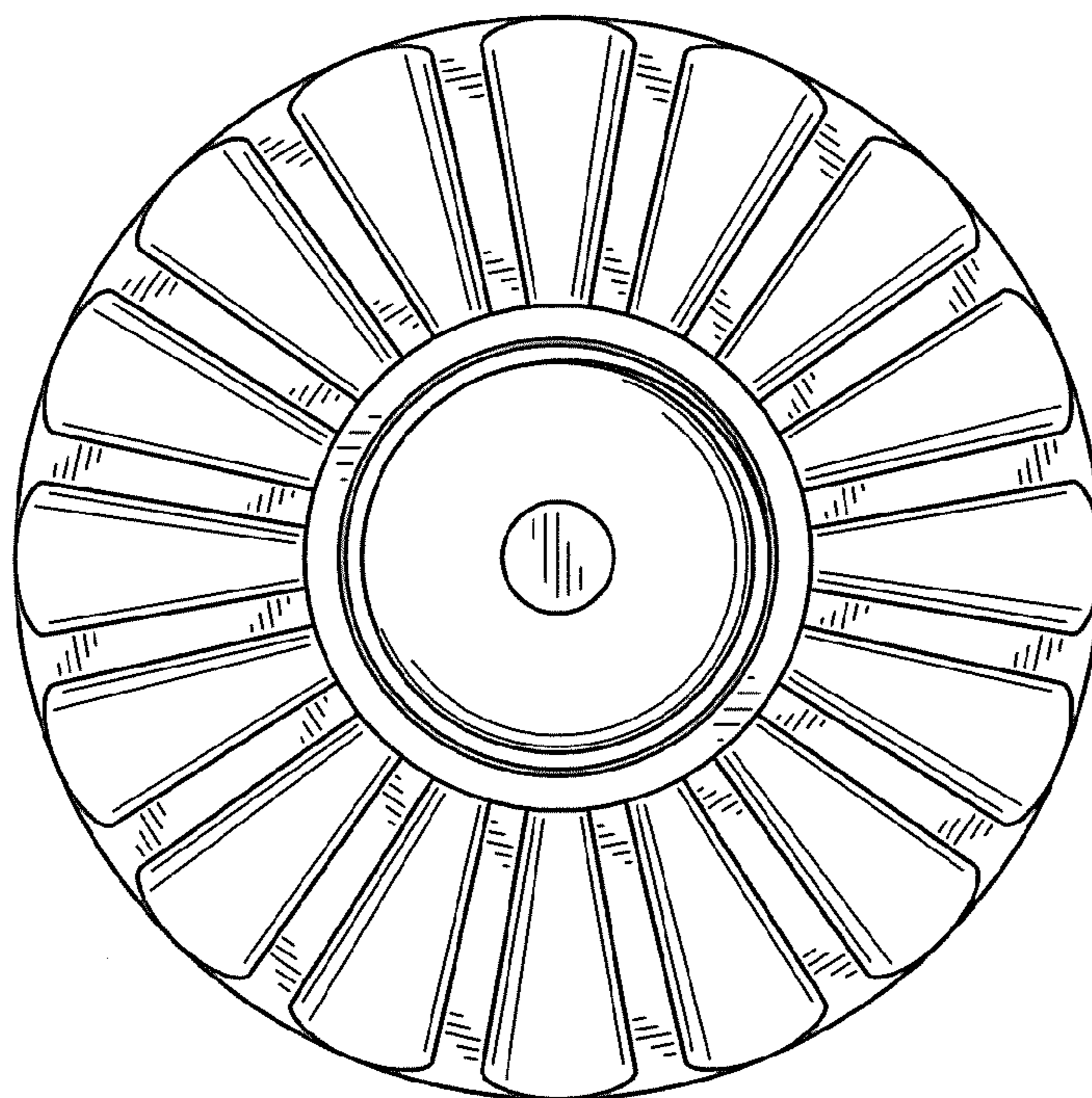


FIG. 7