



US00D617913S

(12) **United States Design Patent**
Shanes et al.

(10) **Patent No.:** **US D617,913 S**
(45) **Date of Patent:** **** Jun. 15, 2010**

- (54) **HIP, RIDGE OR RAKE ROOFING SHINGLE**
 - (75) Inventors: **Larry Wayne Shanes**, Wake Forest, NC (US); **Thomas K. MacKinnon**, Ann Arbor, MI (US)
 - (73) Assignee: **CertainTeed Corporation**, Valley Forge, PA (US)
 - (**) Term: **14 Years**
 - (21) Appl. No.: **29/324,897**
 - (22) Filed: **Sep. 23, 2008**
 - (51) **LOC (9) Cl.** **25-01**
 - (52) **U.S. Cl.** **D25/139; D25/141**
 - (58) **Field of Classification Search** **D25/139, D25/140, 150, 163, 141; 52/314, 518, 546-547, 52/557**
- See application file for complete search history.

(56) **References Cited**

U.S. PATENT DOCUMENTS

4,015,374 A * 4/1977 Epstein et al. 52/57

(Continued)

OTHER PUBLICATIONS

Tamko, Lamarite Slate Composite Shingles Applications Instructions and Limited Warranty, pp. 1-13, www.tamko.com, www.lamarite.com, Joplin, Missouri, USA.

Primary Examiner—T. Chase Nelson
Assistant Examiner—Kathleen M Sims
(74) *Attorney, Agent, or Firm*—Paul & Paul

(57) **CLAIM**

The ornamental design for the hip, ridge or rake roofing shingle, as shown and described.

DESCRIPTION

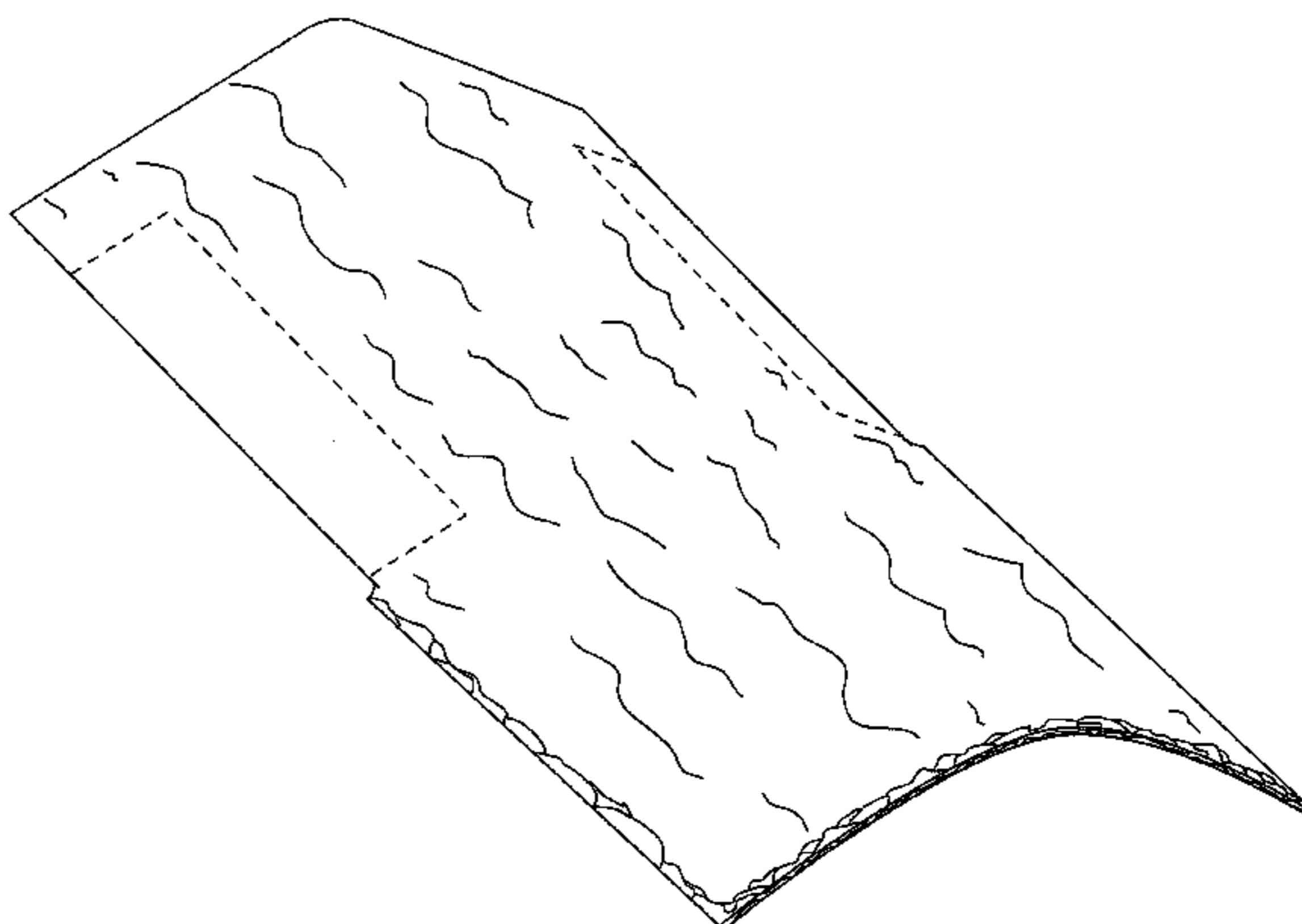
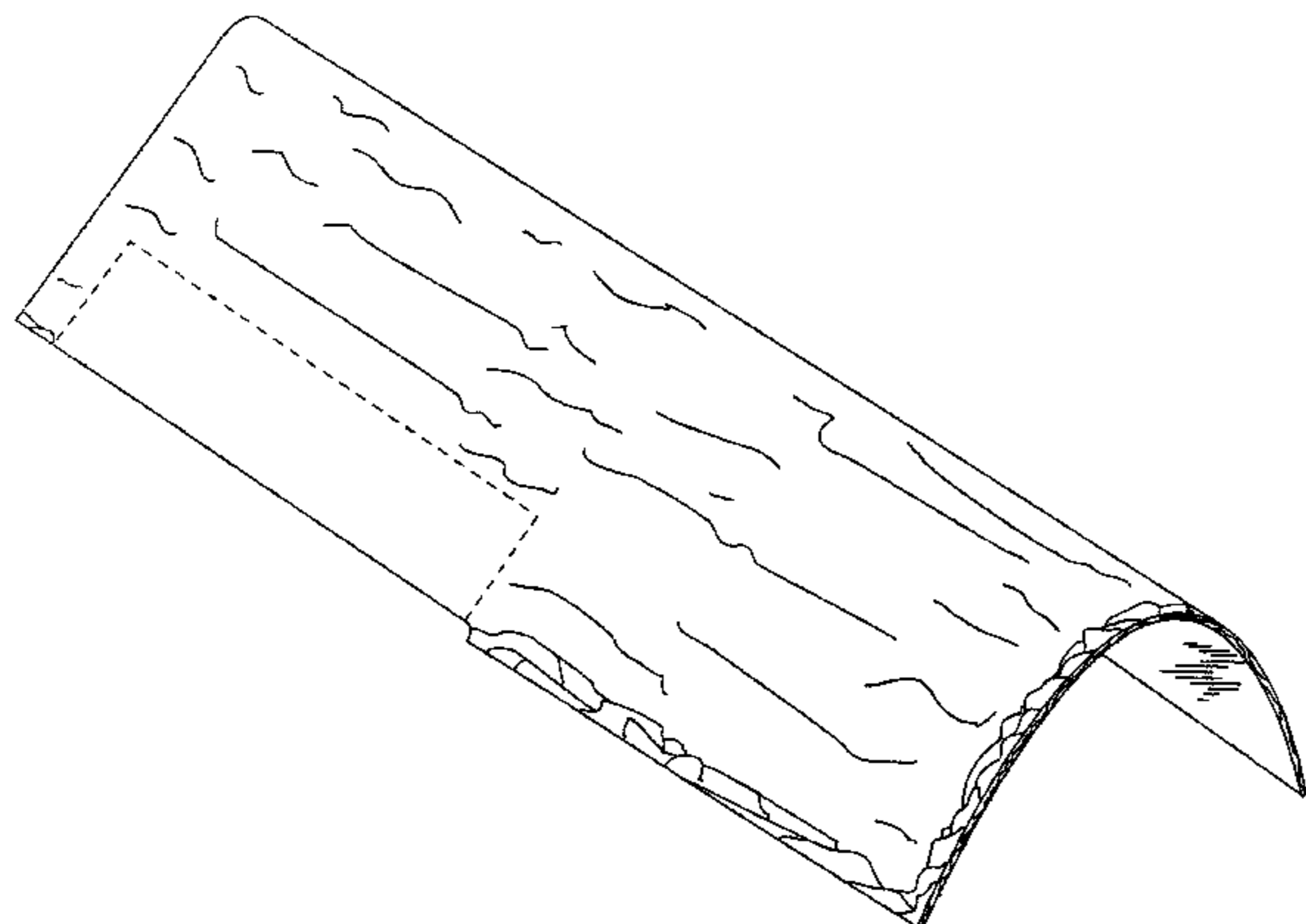
FIG. 1 is a front, top, left side perspective view of a first embodiment of a hip, ridge or rake roofing shingle showing our new design;

FIG. 2 is a rear, top, right side perspective view thereof;
 FIG. 3 is a right side elevational view thereof; the left side is a mirror image thereof;
 FIG. 4 is a front elevational view thereof;
 FIG. 5 is a rear elevational view thereof;
 FIG. 6 is a top view thereof; and
 FIG. 7 is a bottom view thereof.
 FIG. 8 is a front, top and left side perspective view of a second embodiment of a hip, ridge or rake roofing shingle;
 FIG. 9 is a rear, top, right side perspective view thereof;
 FIG. 10 is a right side elevational view thereof;
 FIG. 11 is a front elevational view thereof;
 FIG. 12 is a rear elevational view thereof;
 FIG. 13 is a top view thereof; and
 FIG. 14 is a bottom view thereof.
 FIG. 15 is a front, top and left side perspective view of a third embodiment of a hip, ridge or rake roofing shingle;
 FIG. 16 is a rear, top, right side perspective view thereof;
 FIG. 17 is a right side elevational view thereof;
 FIG. 18 is a front elevational view thereof;
 FIG. 19 is a rear elevational view thereof;
 FIG. 20 is a top view thereof; and
 FIG. 21 is a bottom view thereof.
 FIG. 22 is a front, top and left side perspective view of Embodiment 1 shown in condition of use; and,
 FIG. 23 is a front, top and left side perspective view of Embodiment 3 shown in condition of use.

The broken lines depict environment only and do not form any part of the claimed design.

The irregular lines on the top, right, left and edge surfaces are to illustrate surface irregularities generally.

1 Claim, 20 Drawing Sheets



US D617,913 S

Page 2

U.S. PATENT DOCUMENTS

D257,397 S *	10/1980	Gustafsson	D25/141	6,237,288 B1	5/2001	Jenkins et al.	
4,907,499 A	3/1990	James		6,277,024 B1 *	8/2001	Coulton	454/365
5,052,162 A	10/1991	Bush et al.		6,351,913 B1	3/2002	Freiborg et al.	
5,095,810 A	3/1992	Robinson		6,418,692 B1	7/2002	Freshwater et al.	
5,247,771 A	9/1993	Poplin		D462,790 S *	9/2002	Bullinger et al.	D25/141
5,271,201 A	12/1993	Noone et al.		6,470,642 B1	10/2002	Eads	
5,295,340 A	3/1994	Collins		6,725,609 B2	4/2004	Freiborg et al.	
5,375,388 A	12/1994	Poplin		7,121,055 B2	10/2006	Penner	
5,471,801 A	12/1995	Kupczyk et al.		7,178,294 B2 *	2/2007	Jolitz	52/43
D366,336 S	1/1996	Noone et al.		D562,994 S *	2/2008	Vandewater et al.	D25/141
5,570,556 A	11/1996	Wagner		D602,612 S *	10/2009	Baum, Jr.	D25/141
D383,223 S	9/1997	Sieling et al.		2003/0077999 A1	4/2003	Mankowski	
5,711,126 A	1/1998	Wells		2004/0221536 A1	11/2004	Kalkanoglu et al.	
D400,268 S	10/1998	Sieling et al.		2004/0237428 A1	12/2004	Headrick et al.	
5,916,103 A	6/1999	Roberts		2005/0166489 A1 *	8/2005	Jolitz	52/198
5,951,809 A	9/1999	Jenkins et al.		2006/0292979 A1	12/2006	Stearns	
5,956,913 A	9/1999	Nicholson		2008/0064320 A1 *	3/2008	Polston	454/365
6,182,400 B1	2/2001	Freiborg et al.		2008/0078132 A1 *	4/2008	Jolitz	52/276
				2008/0229695 A1	9/2008	Kalkanoglu	

* cited by examiner

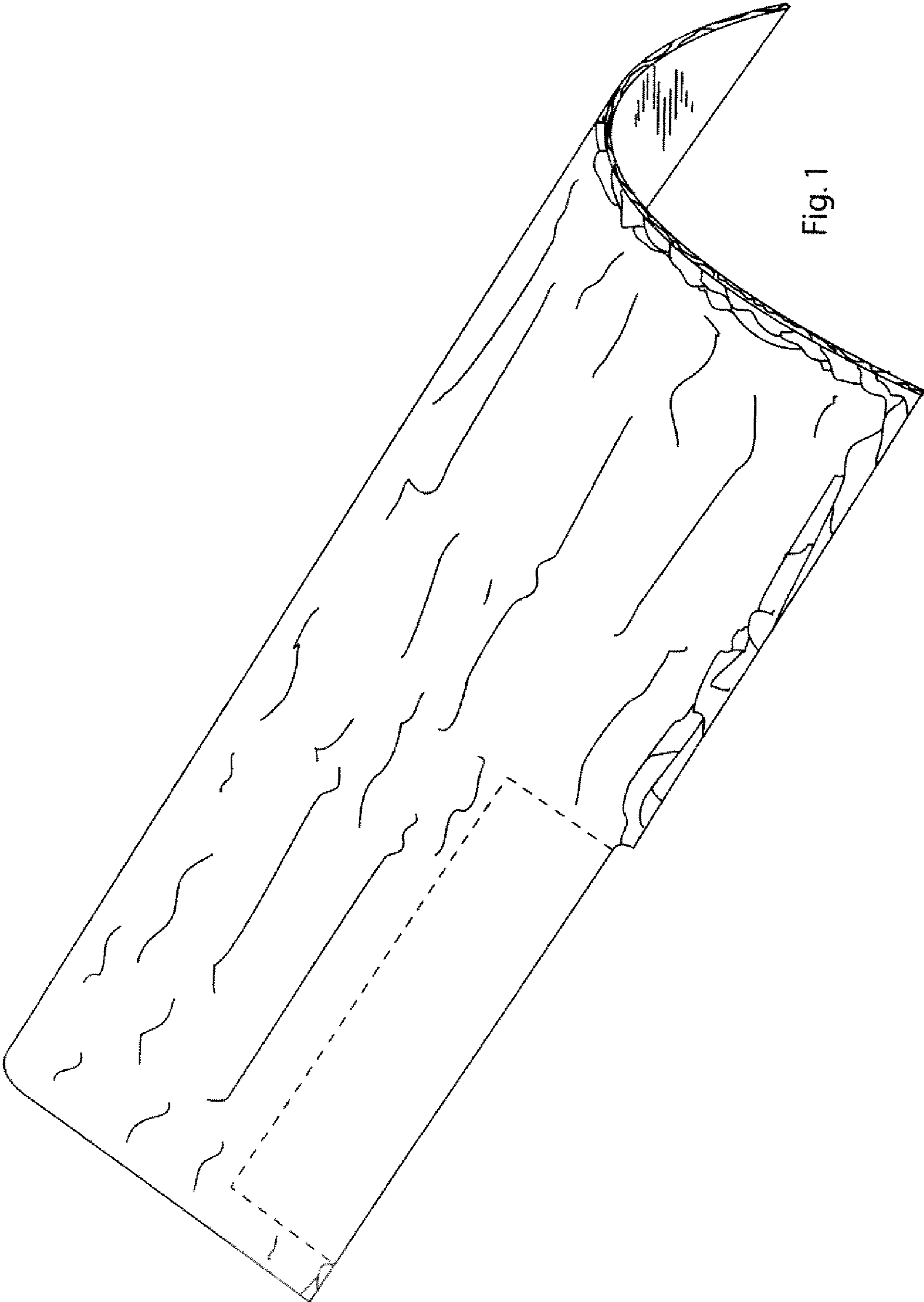


Fig. 1

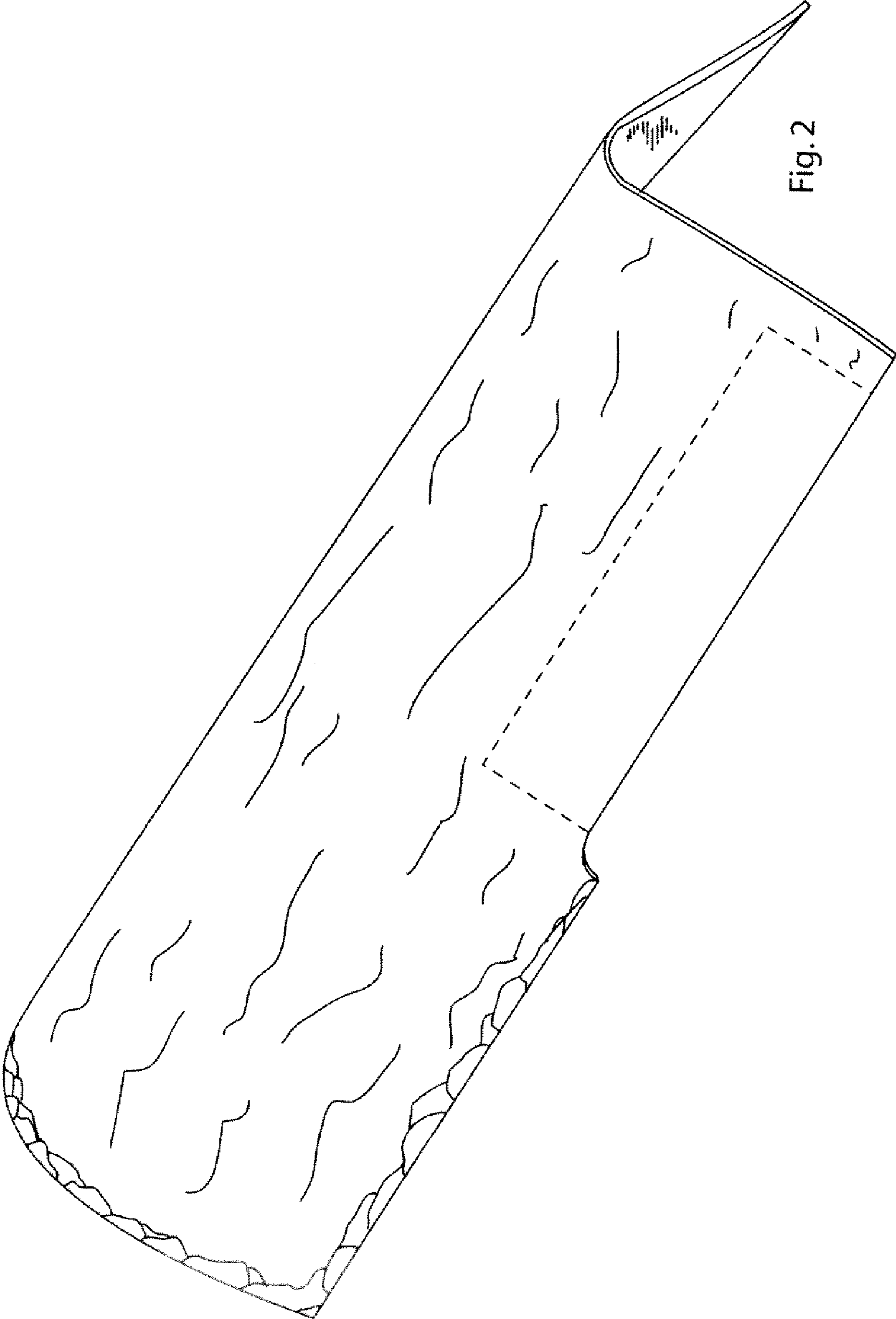


Fig. 2

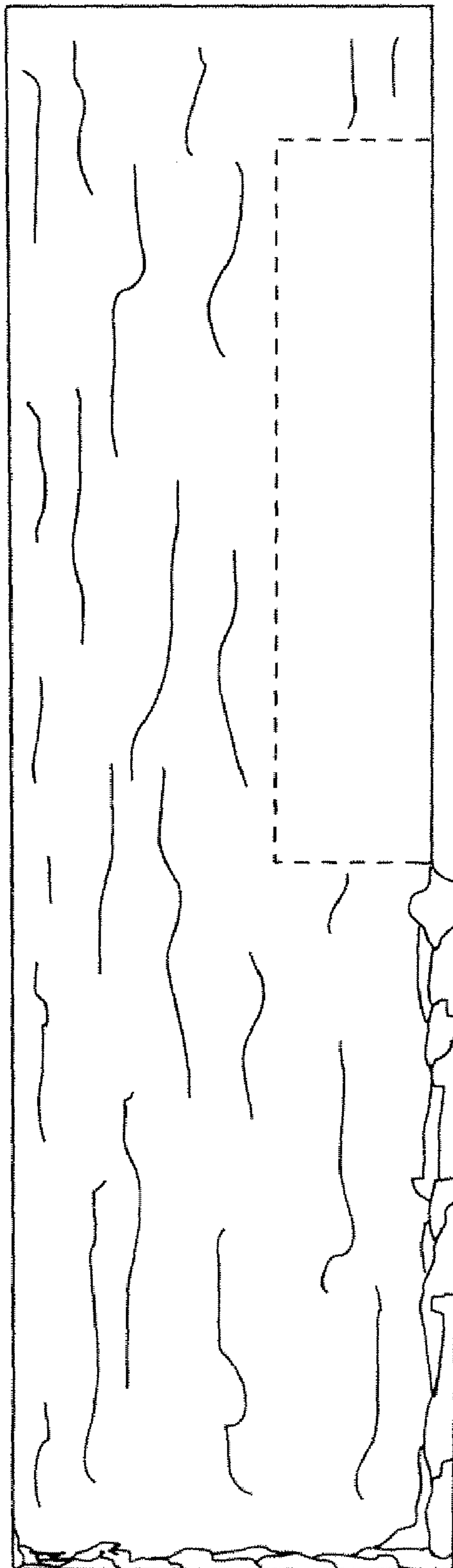


Fig. 3

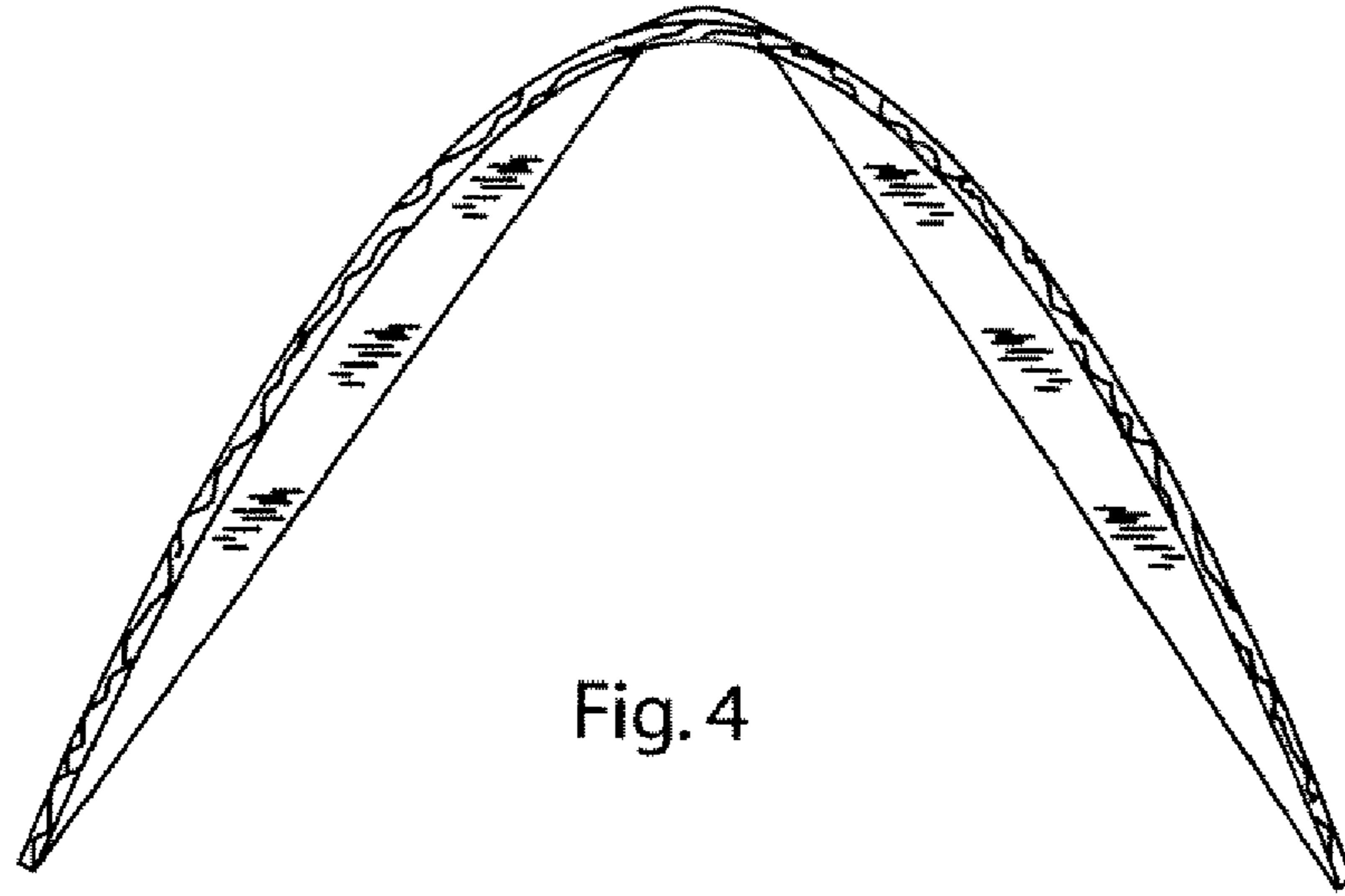


Fig. 4

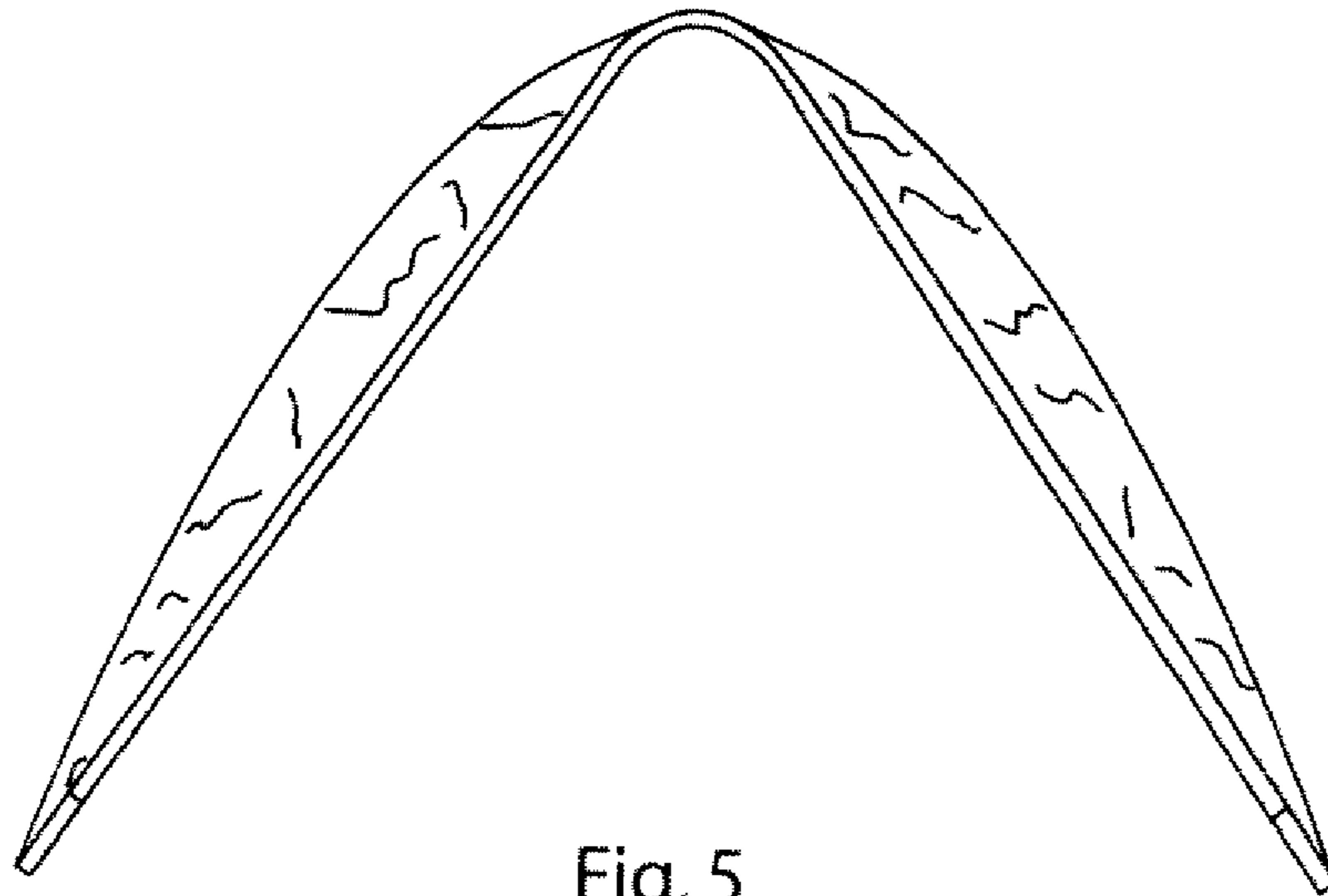


Fig. 5

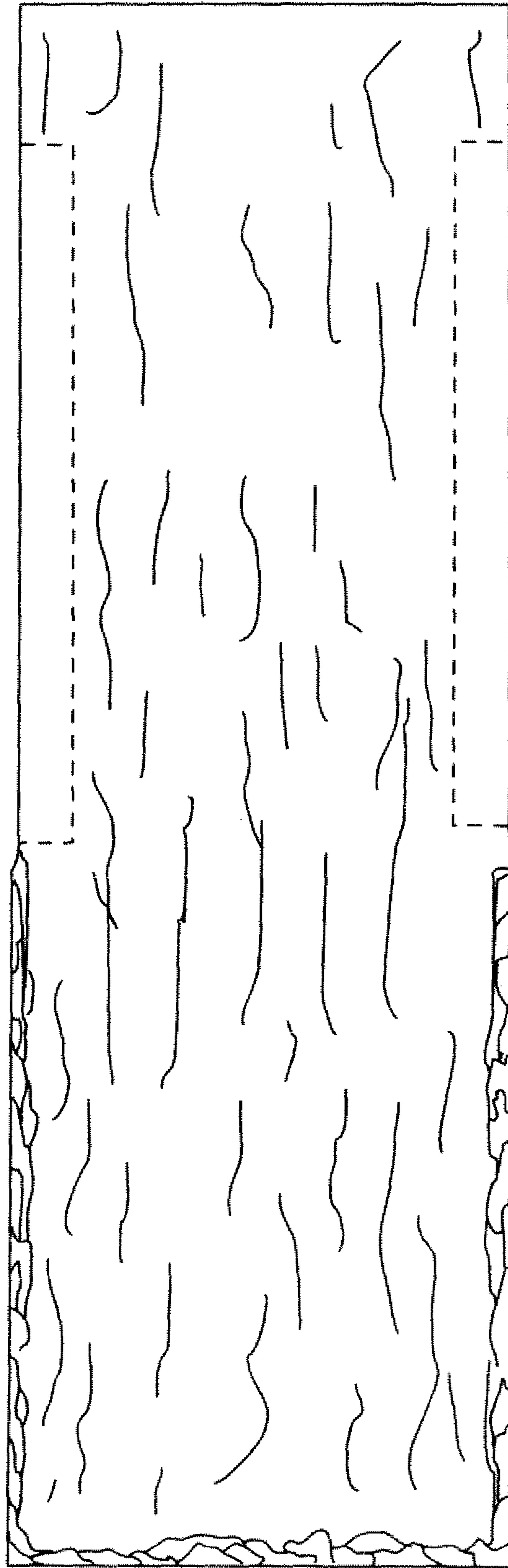


Fig. 6

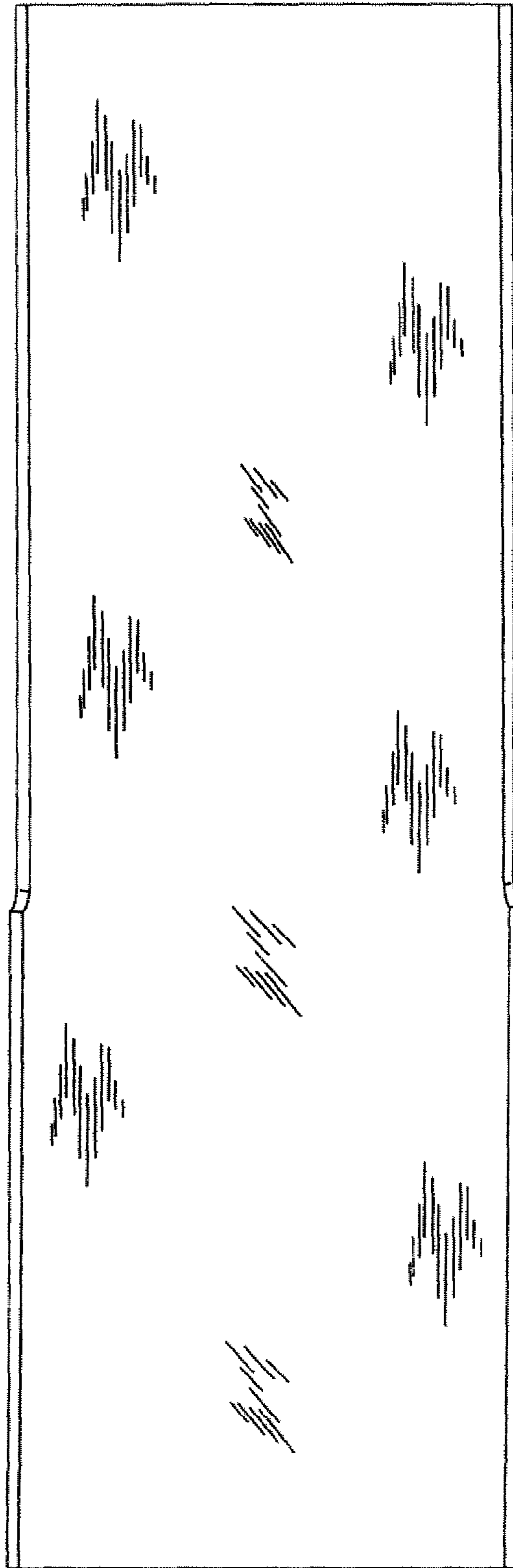
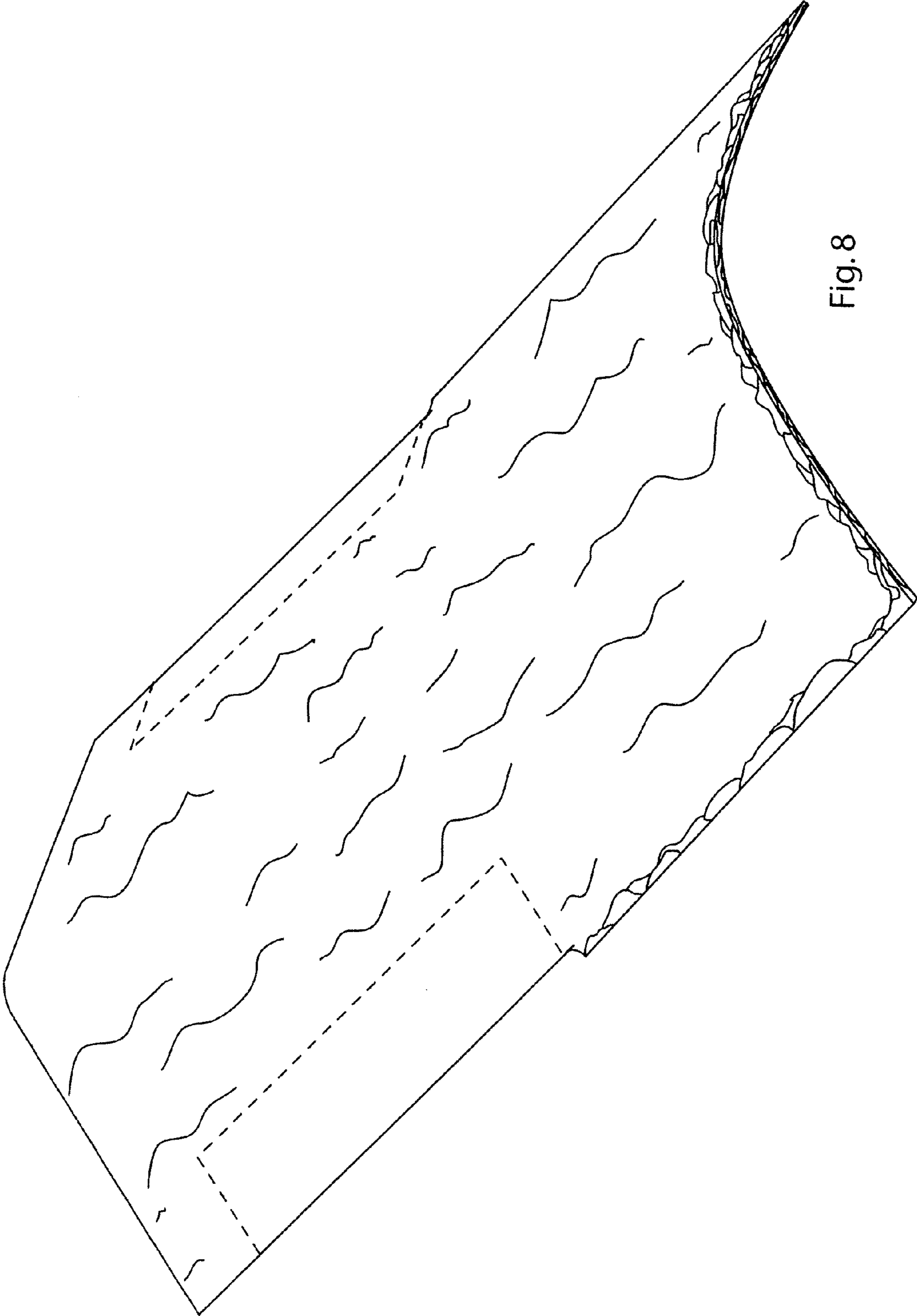


Fig. 7



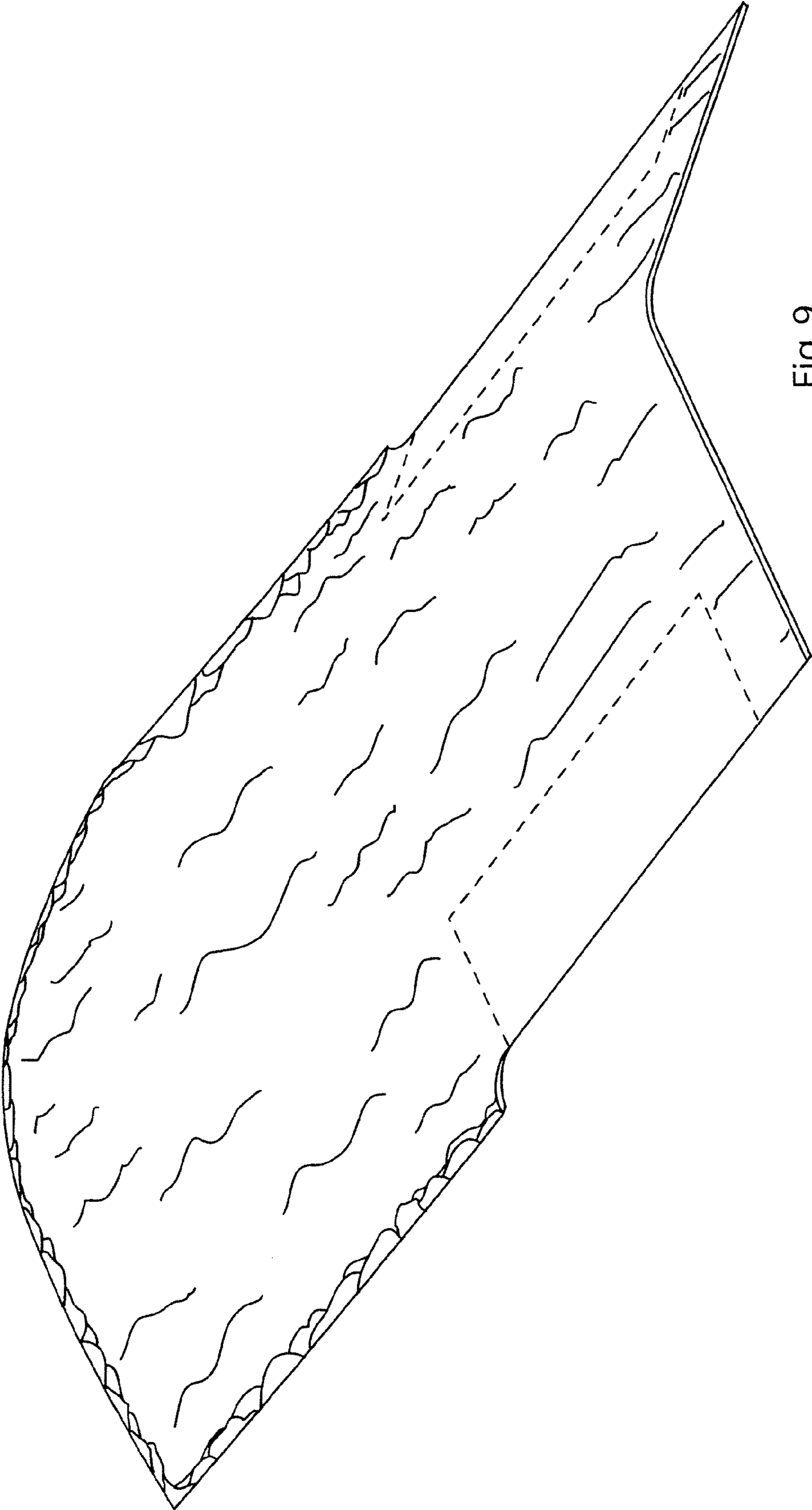


Fig. 9

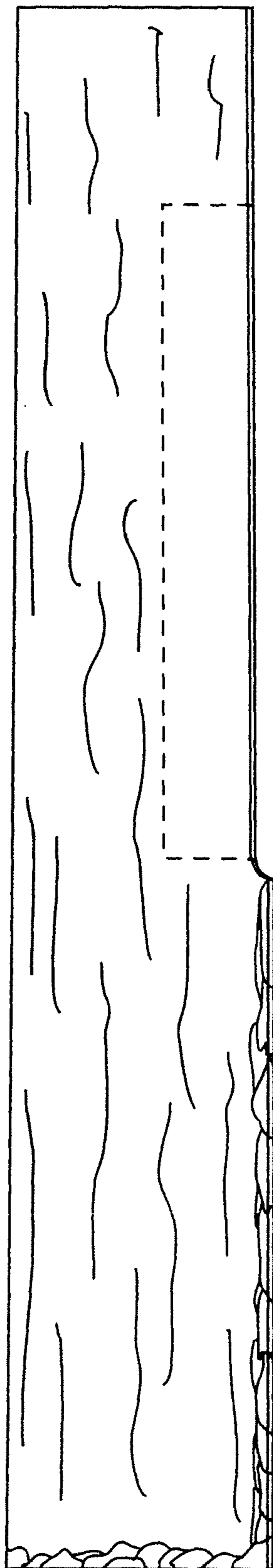


Fig. 10

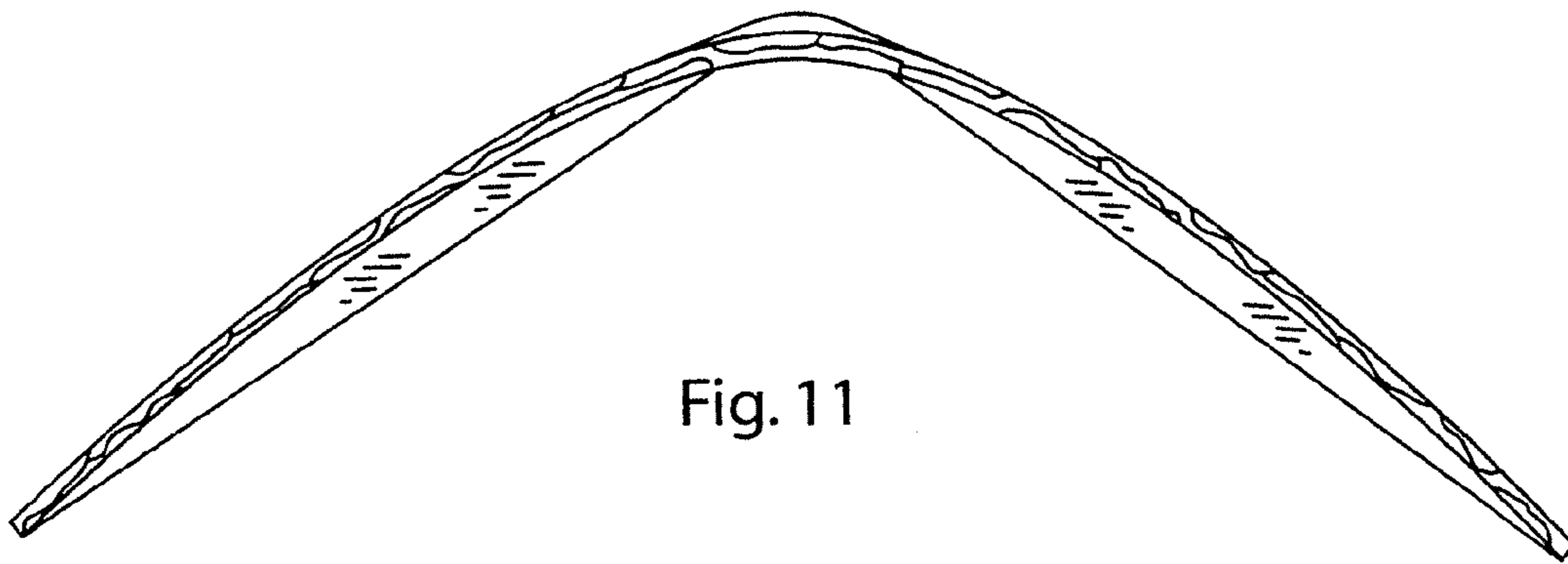


Fig. 11

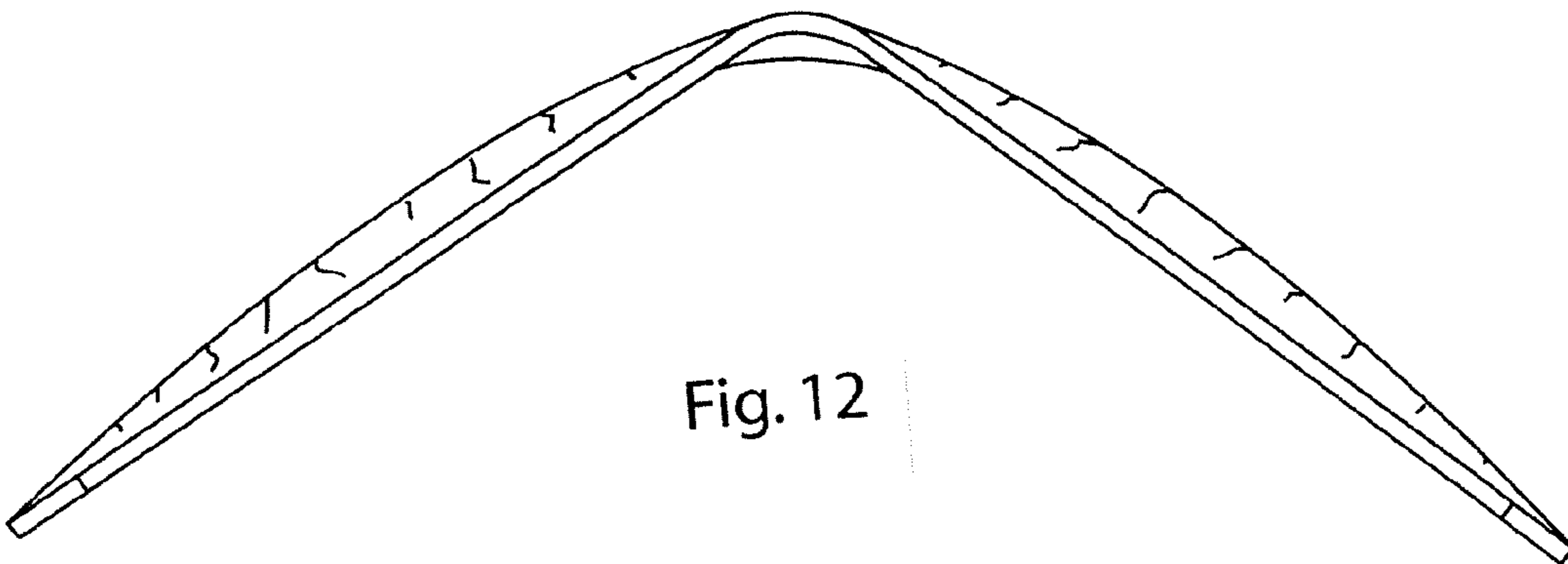


Fig. 12

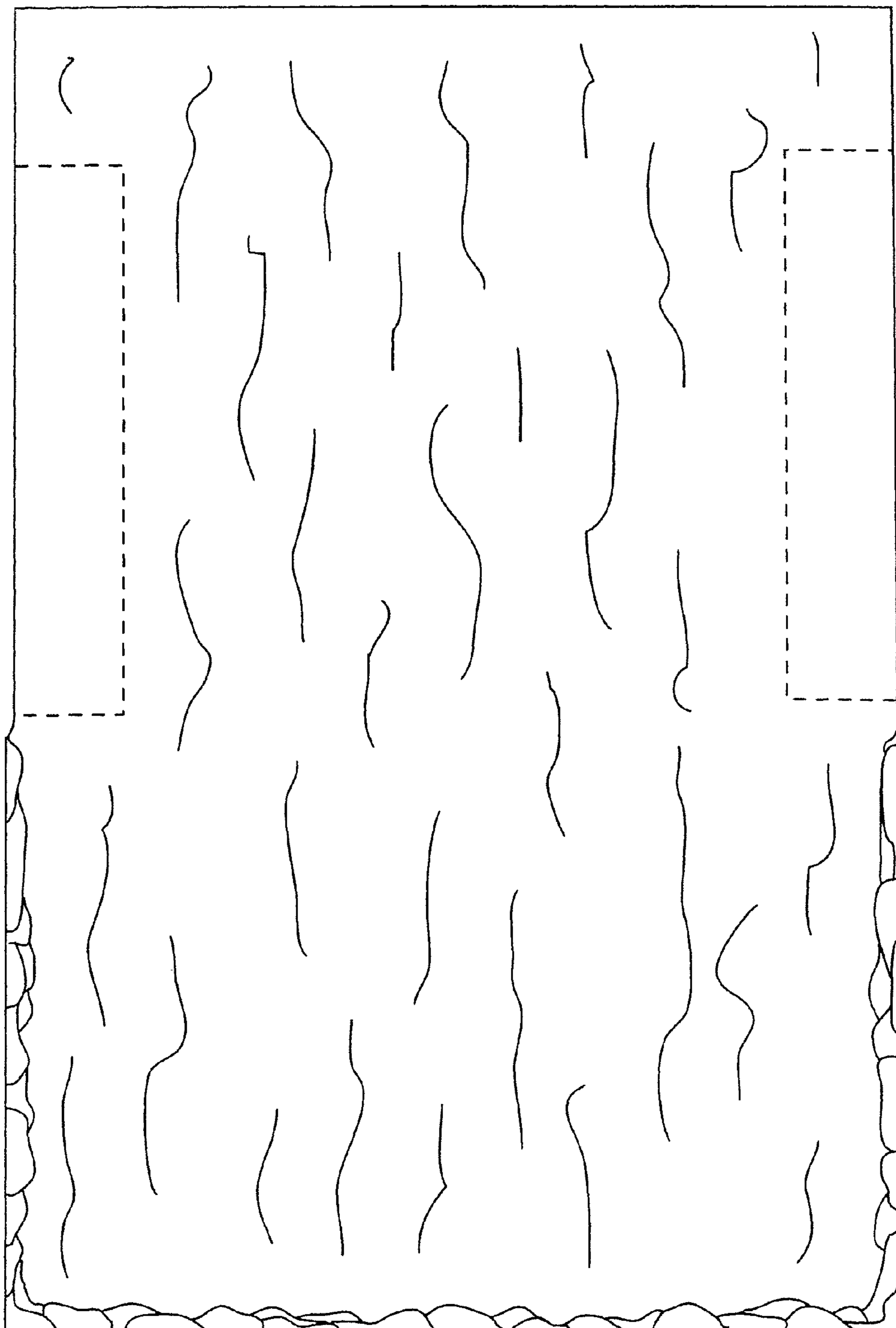


Fig. 13

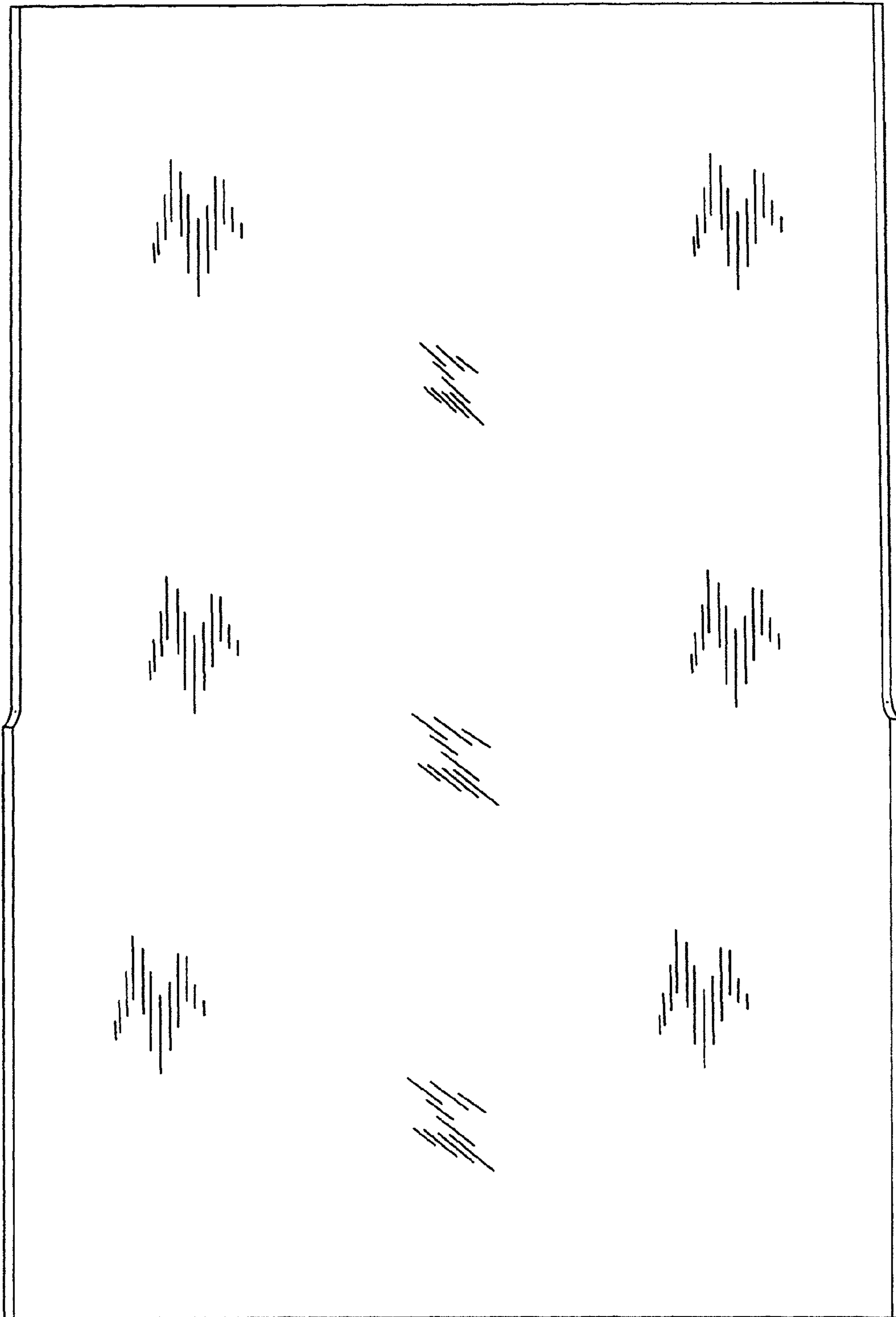


Fig. 14

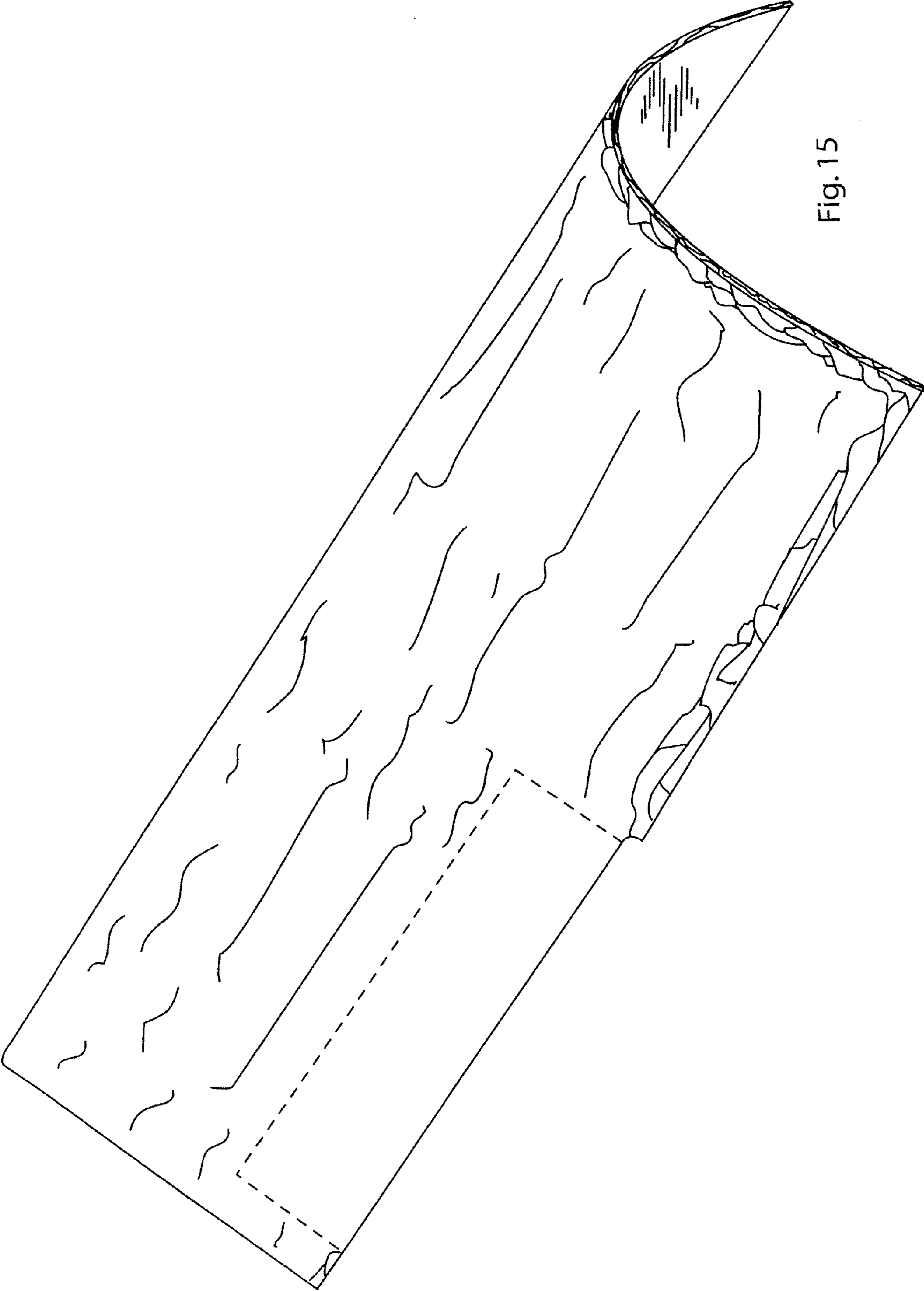


Fig. 15

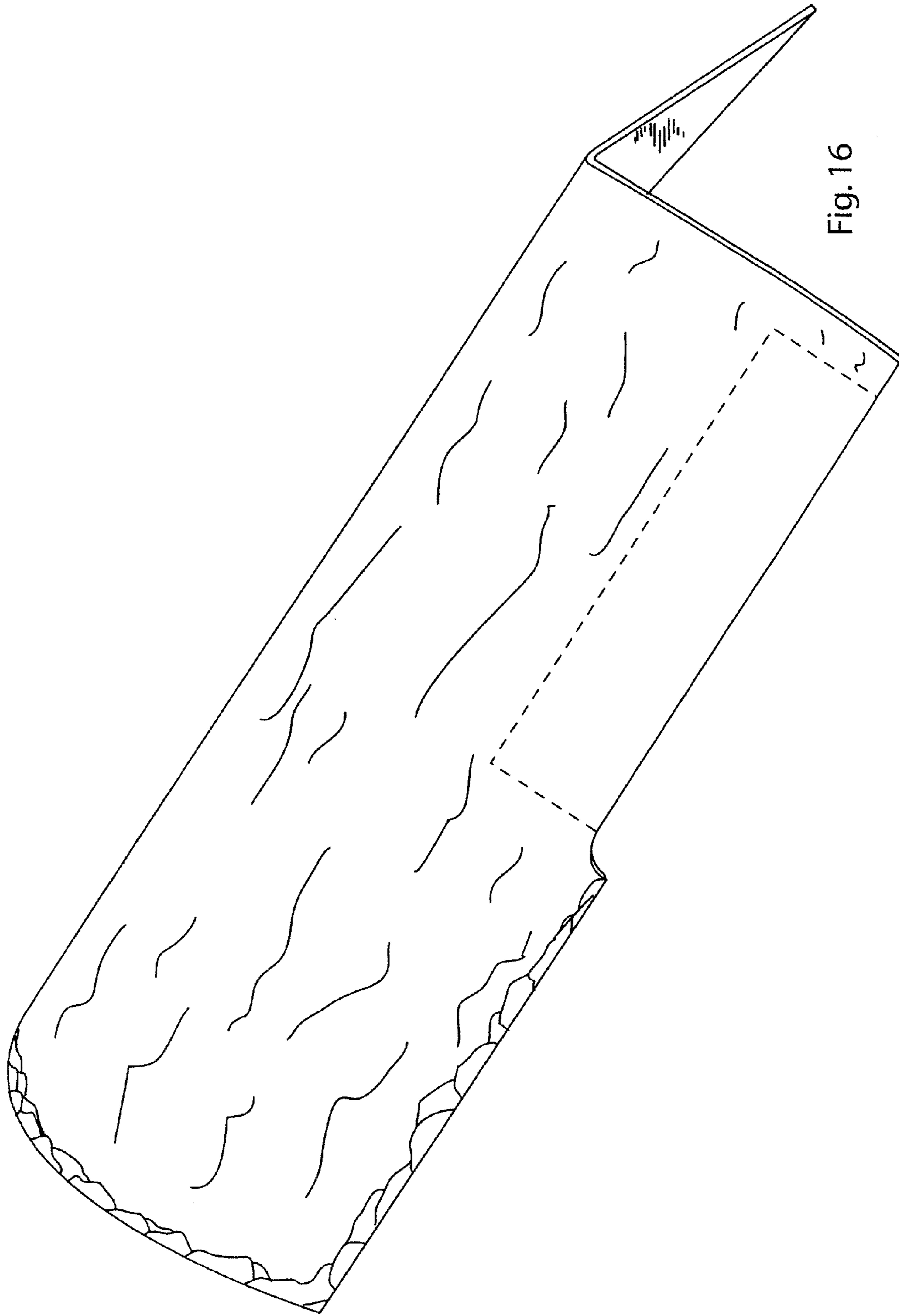


Fig. 16

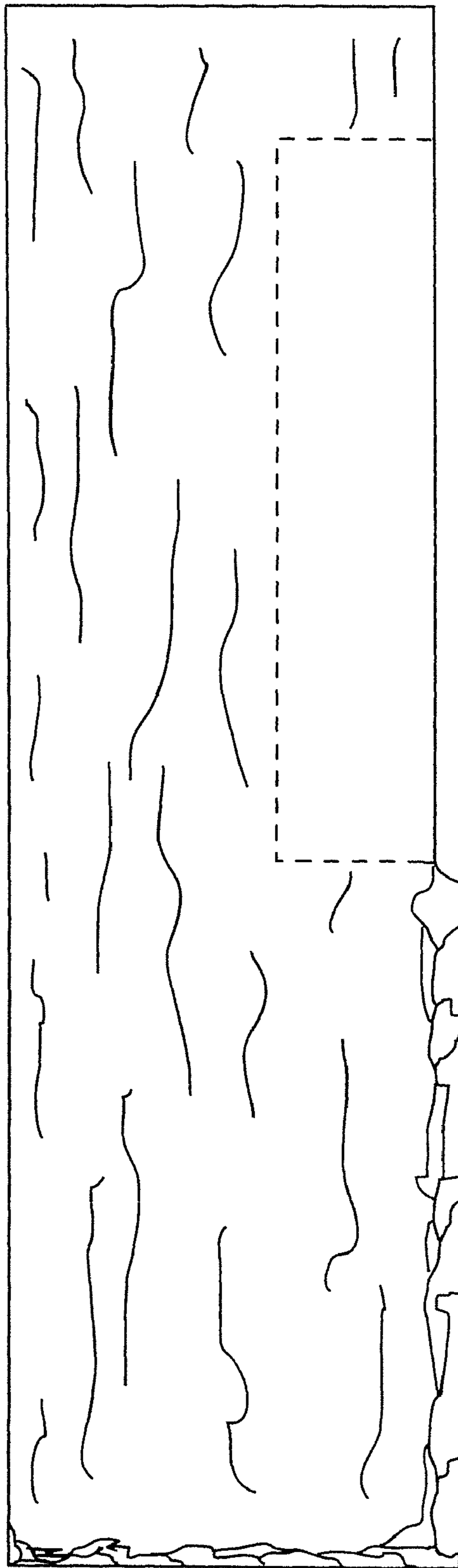


Fig. 17

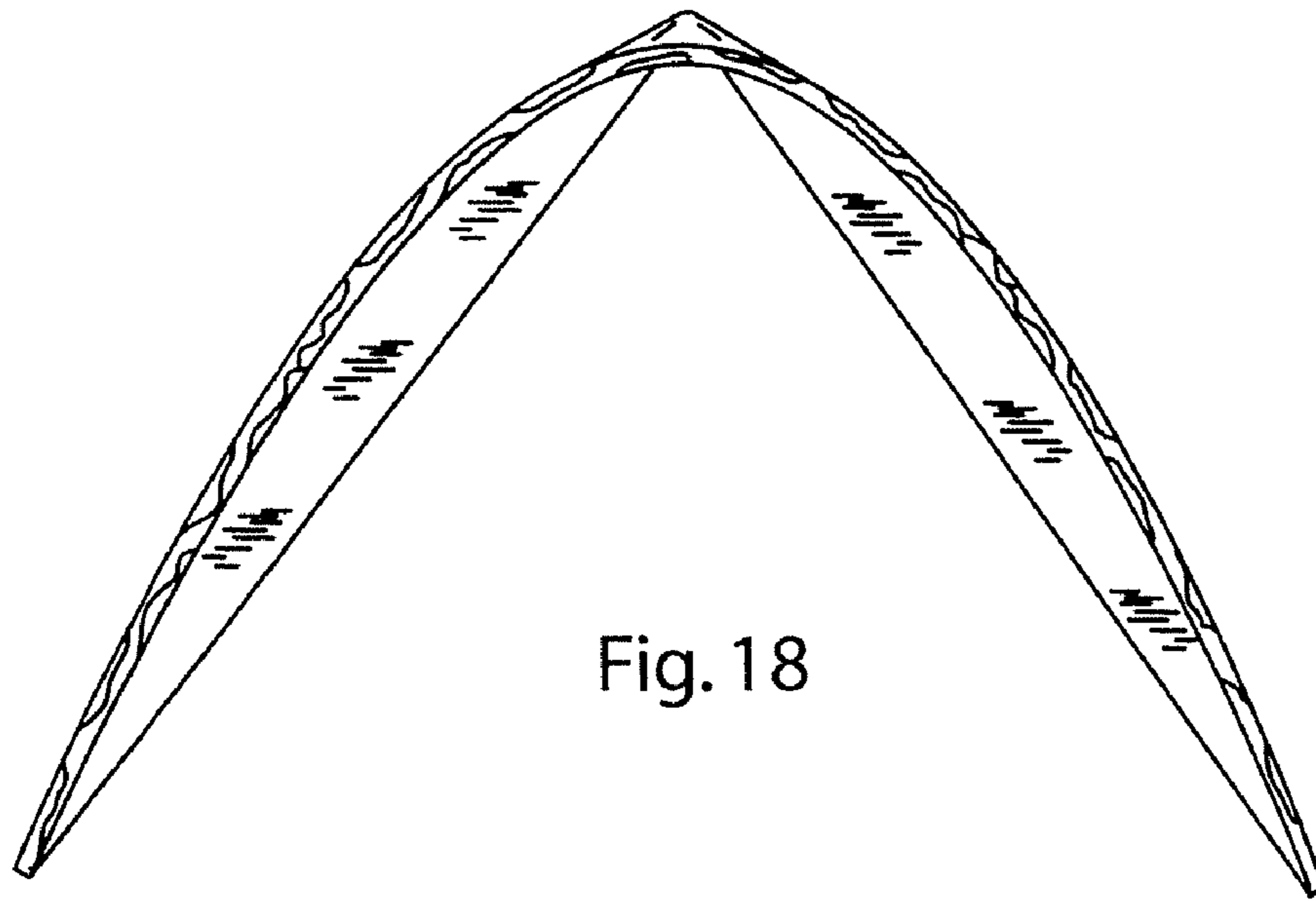


Fig. 18

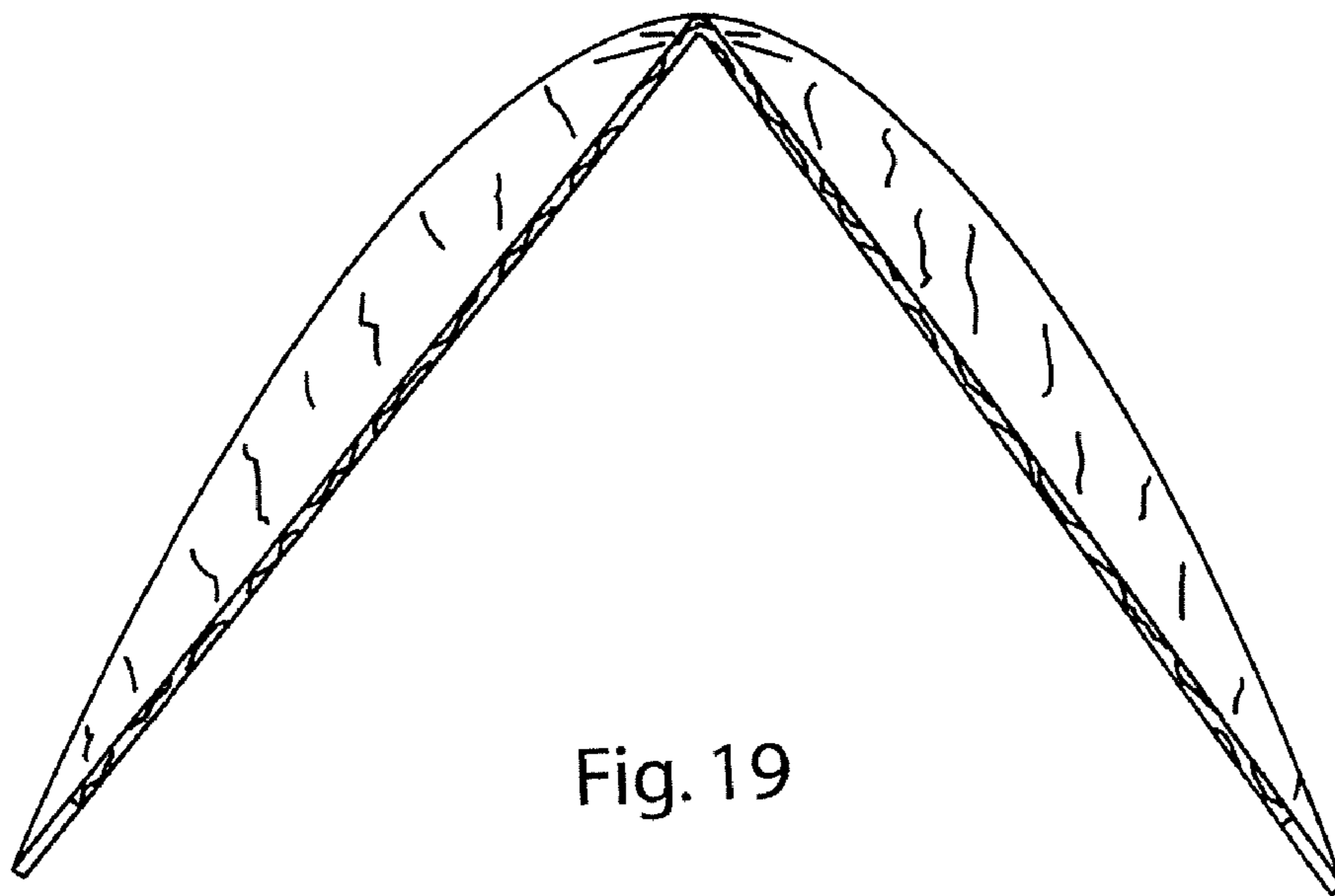


Fig. 19

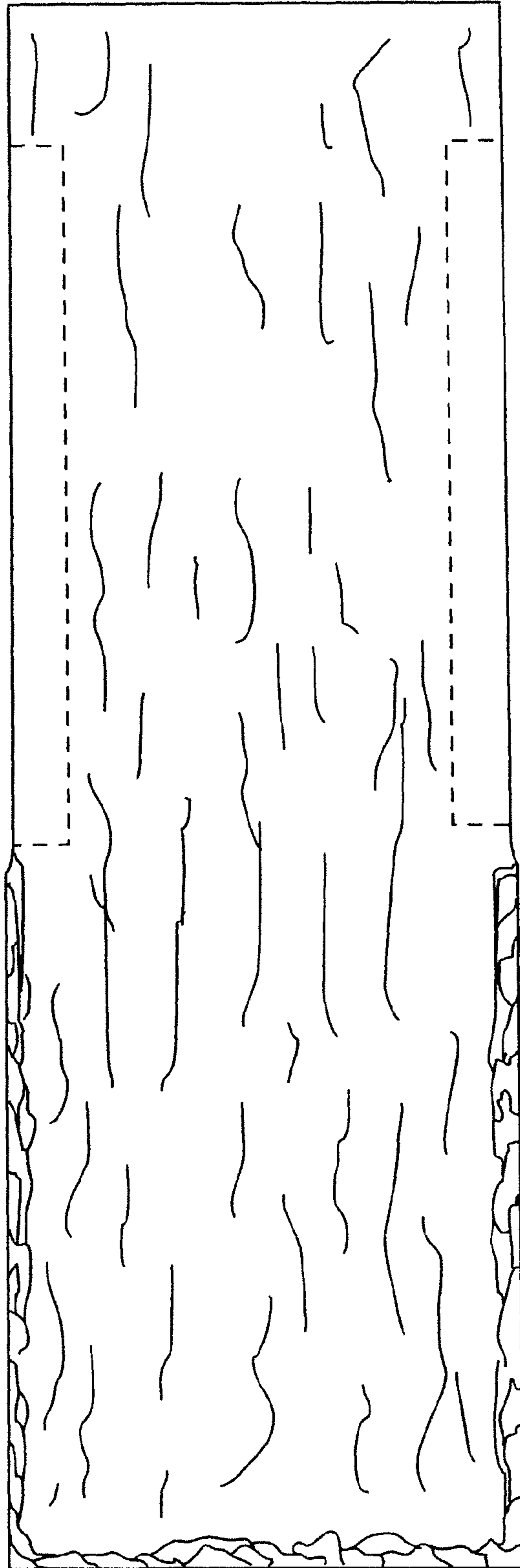


Fig. 20

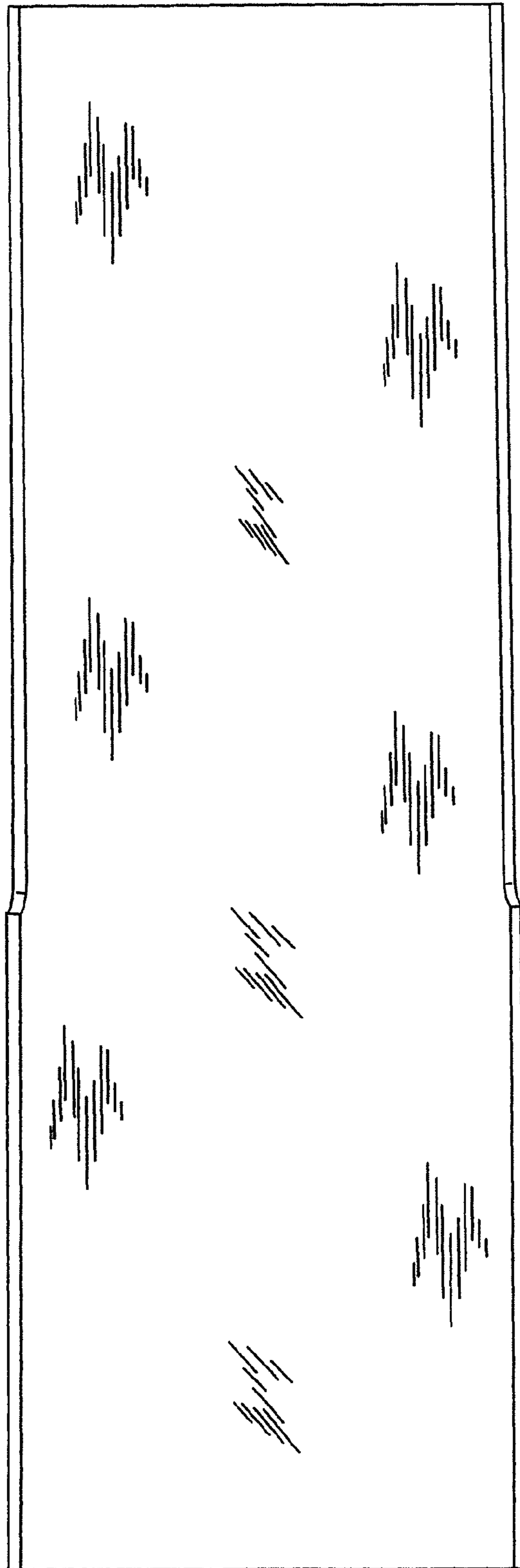


Fig. 21

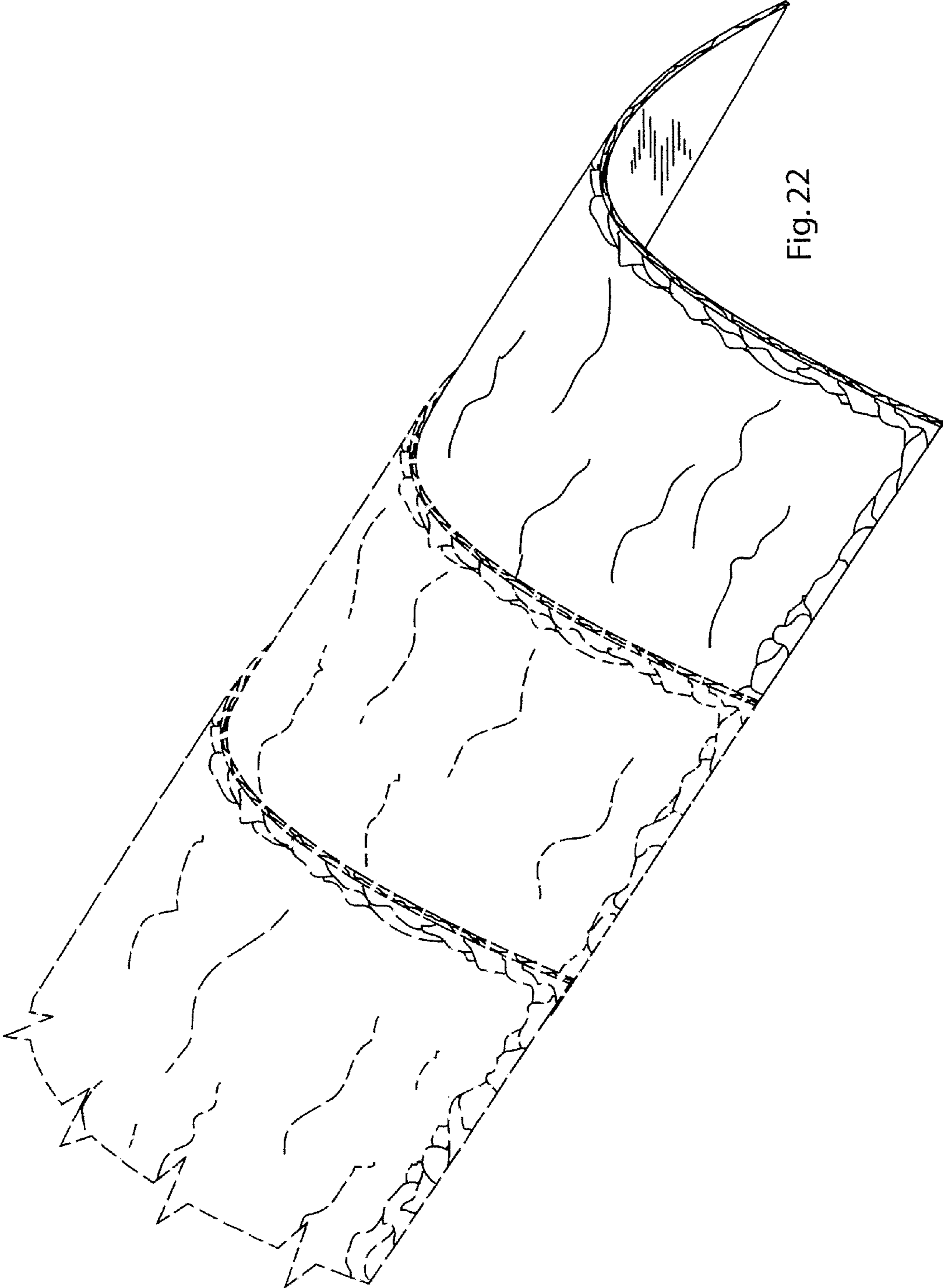


Fig. 22

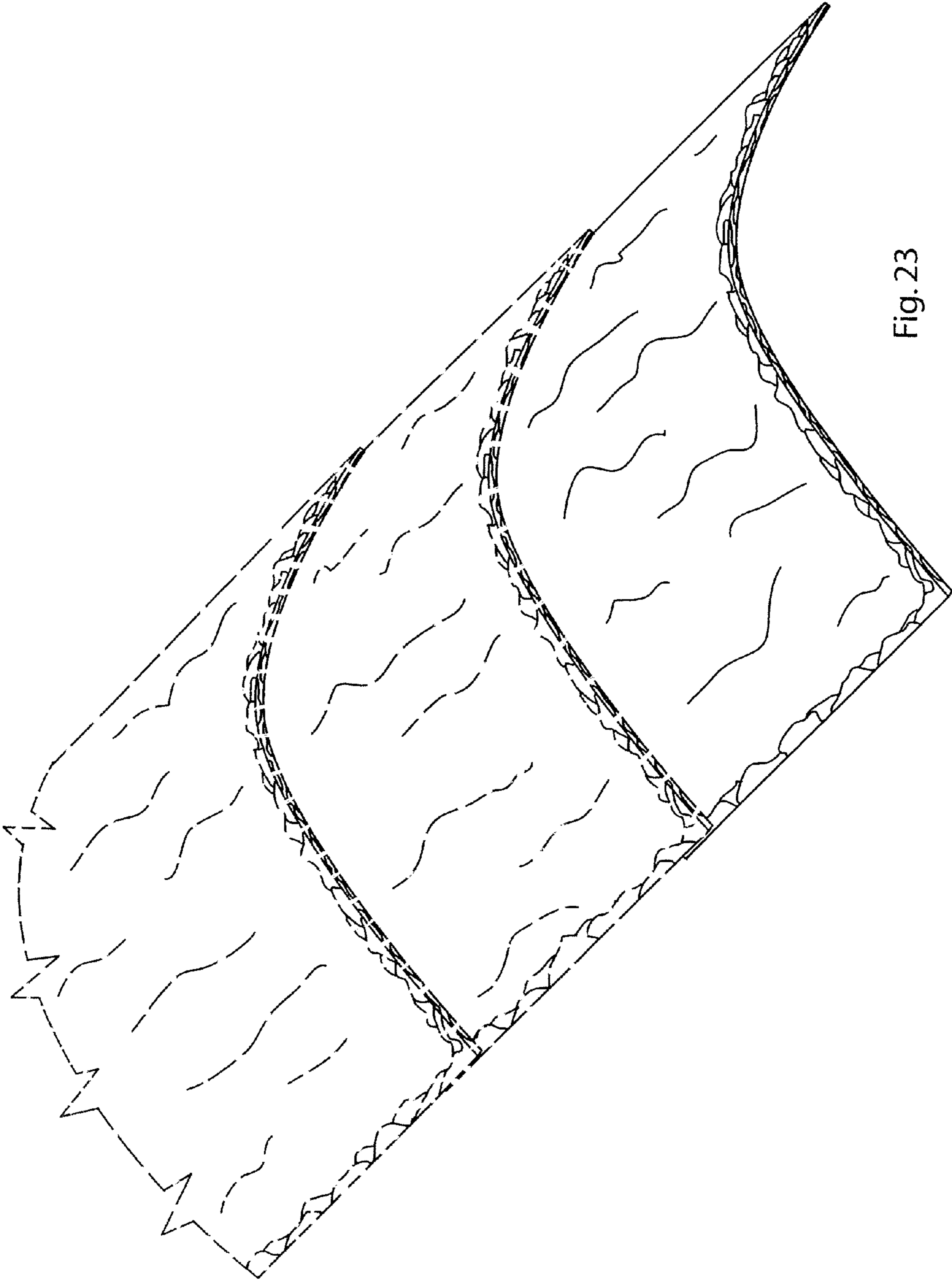


Fig. 23

UNITED STATES PATENT AND TRADEMARK OFFICE
CERTIFICATE OF CORRECTION

PATENT NO. : Des. 617,913 S
APPLICATION NO. : 29/324897
DATED : June 15, 2010
INVENTOR(S) : Larry Wayne Shanes et al.

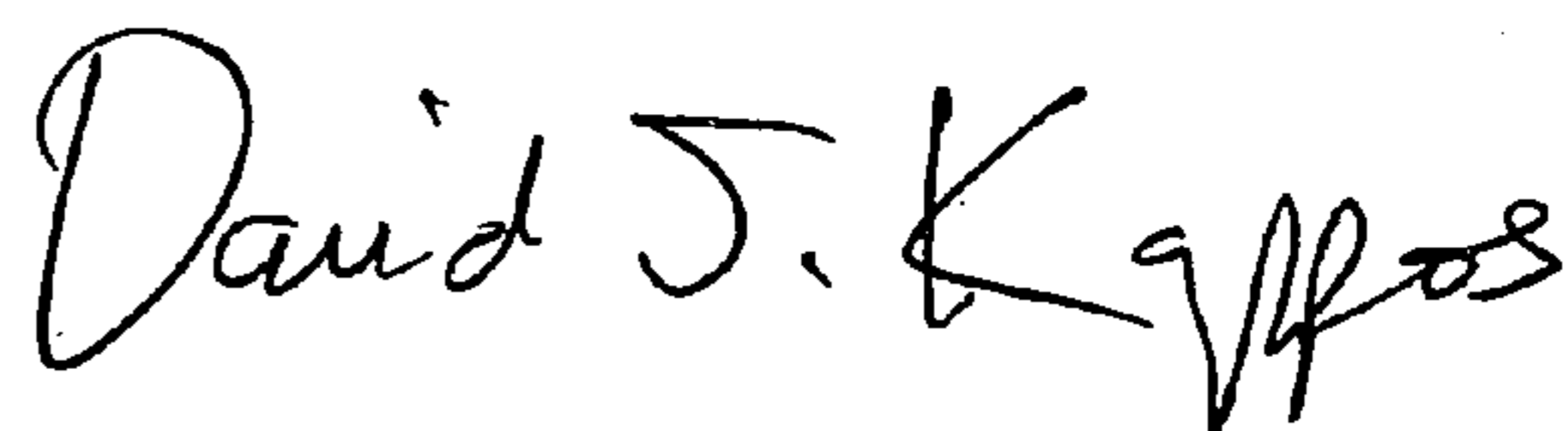
Page 1 of 1

It is certified that error appears in the above-identified patent and that said Letters Patent is hereby corrected as shown below:

On page 1, column 2, Description of Fig. 23, second line, "Embodiment 3" should read
-- Embodiment 2 --

Signed and Sealed this

Twelfth Day of October, 2010

A handwritten signature in black ink that reads "David J. Kappos". The signature is written in a cursive style with a large initial 'D' and 'K'.

David J. Kappos
Director of the United States Patent and Trademark Office