



US00D617912S

(12) **United States Design Patent**
Thomassen

(10) **Patent No.:** **US D617,912 S**
(45) **Date of Patent:** **** Jun. 15, 2010**

(54) **SURFACE OF A CONCRETE BLOCK**

(75) Inventor: **Marcel Thomassen**, Charlemagne (CA)

(73) Assignee: **Transpavé Inc.**, St-Eustache, Quebec (CA)

(**) Term: **14 Years**

(21) Appl. No.: **29/337,612**

(22) Filed: **May 27, 2009**

(51) **LOC (9) Cl.** **25-01**

(52) **U.S. Cl.** **D25/113**

(58) **Field of Classification Search** D25/102,
D25/112-118, 119, 164; D21/484-491,
D21/499-502; 405/16, 17, 33, 35, 284, 286;
52/503-505, 574, 575, 596-605, 609-612;
404/29-31, 34

See application file for complete search history.

(56) **References Cited**

U.S. PATENT DOCUMENTS

D319,885 S * 9/1991 Blomquist et al. D25/118
D486,245 S * 2/2004 Morey D25/113
D486,246 S * 2/2004 Manthei D25/113

D500,864 S * 1/2005 Klettenberg et al. D25/113
D586,478 S * 2/2009 Price et al. D25/113

* cited by examiner

Primary Examiner—T. Chase Nelson

Assistant Examiner—Anhdao Doan

(74) *Attorney, Agent, or Firm*—Ladas & Parry LLP

(57) **CLAIM**

I claim the ornamental design for a surface of a concrete block, as shown and described.

DESCRIPTION

FIG. 1 is a front perspective view of a surface of a concrete block according to a first embodiment of the present design;

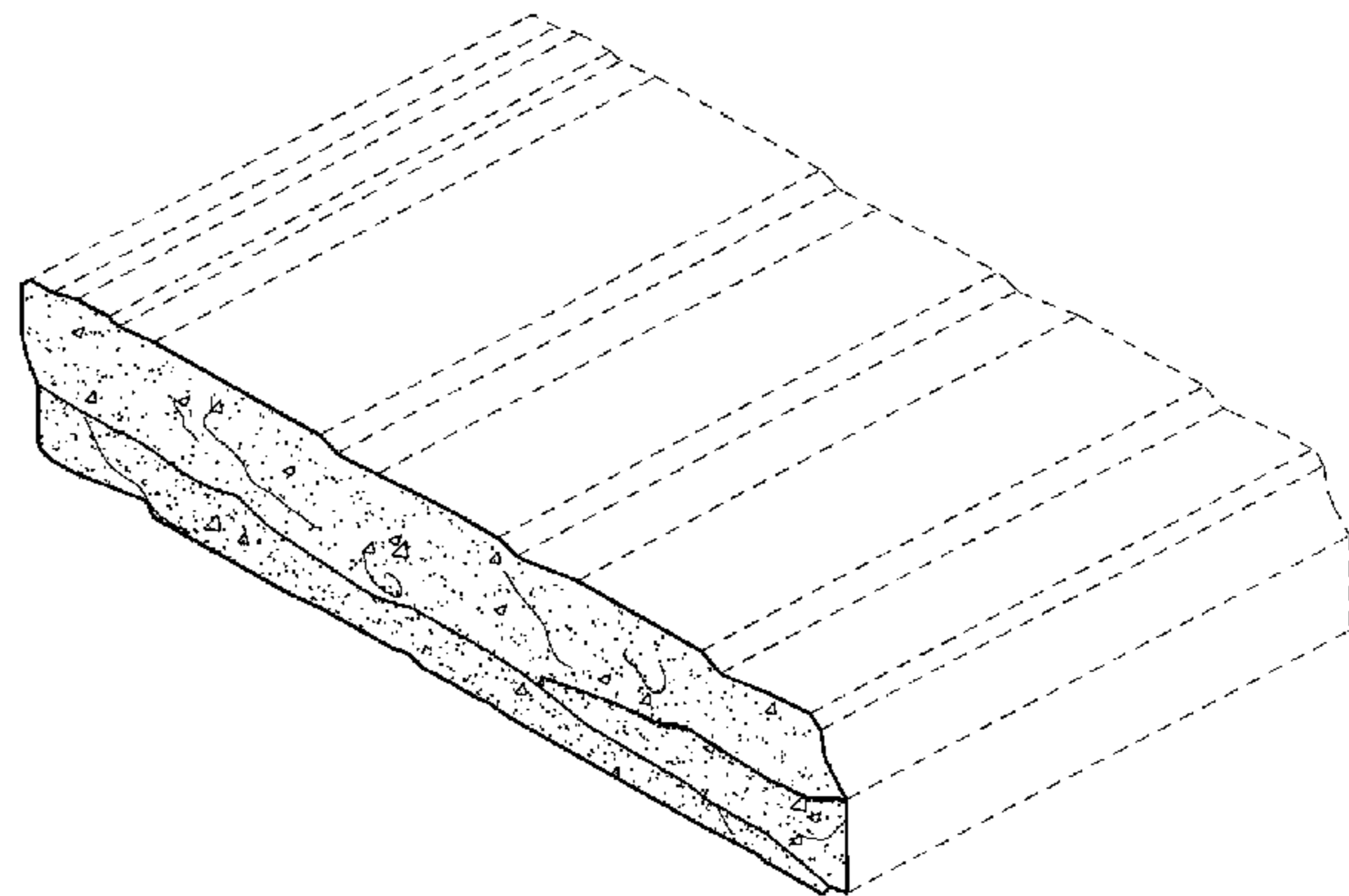
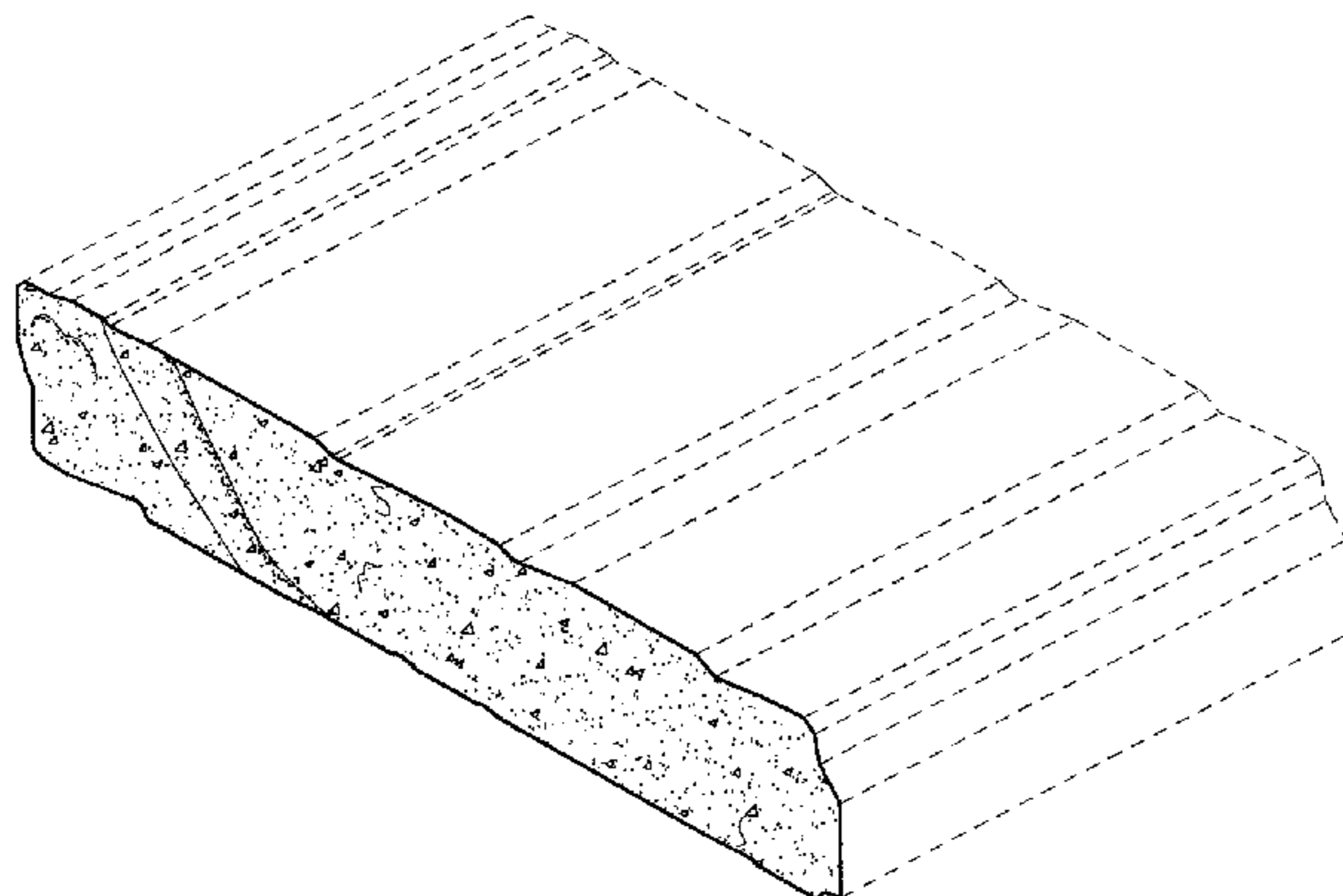
FIG. 2 is a front view of the concrete block surface of FIG. 1;

FIG. 3 is a front perspective view of a surface of a concrete block according to a second embodiment of the present design; and,

FIG. 4 is a front view of the concrete block surface of FIG. 3.

The broken lines in the drawing views are included for the purpose of illustrating portions of the concrete block that form no part of the claimed design.

1 Claim, 2 Drawing Sheets



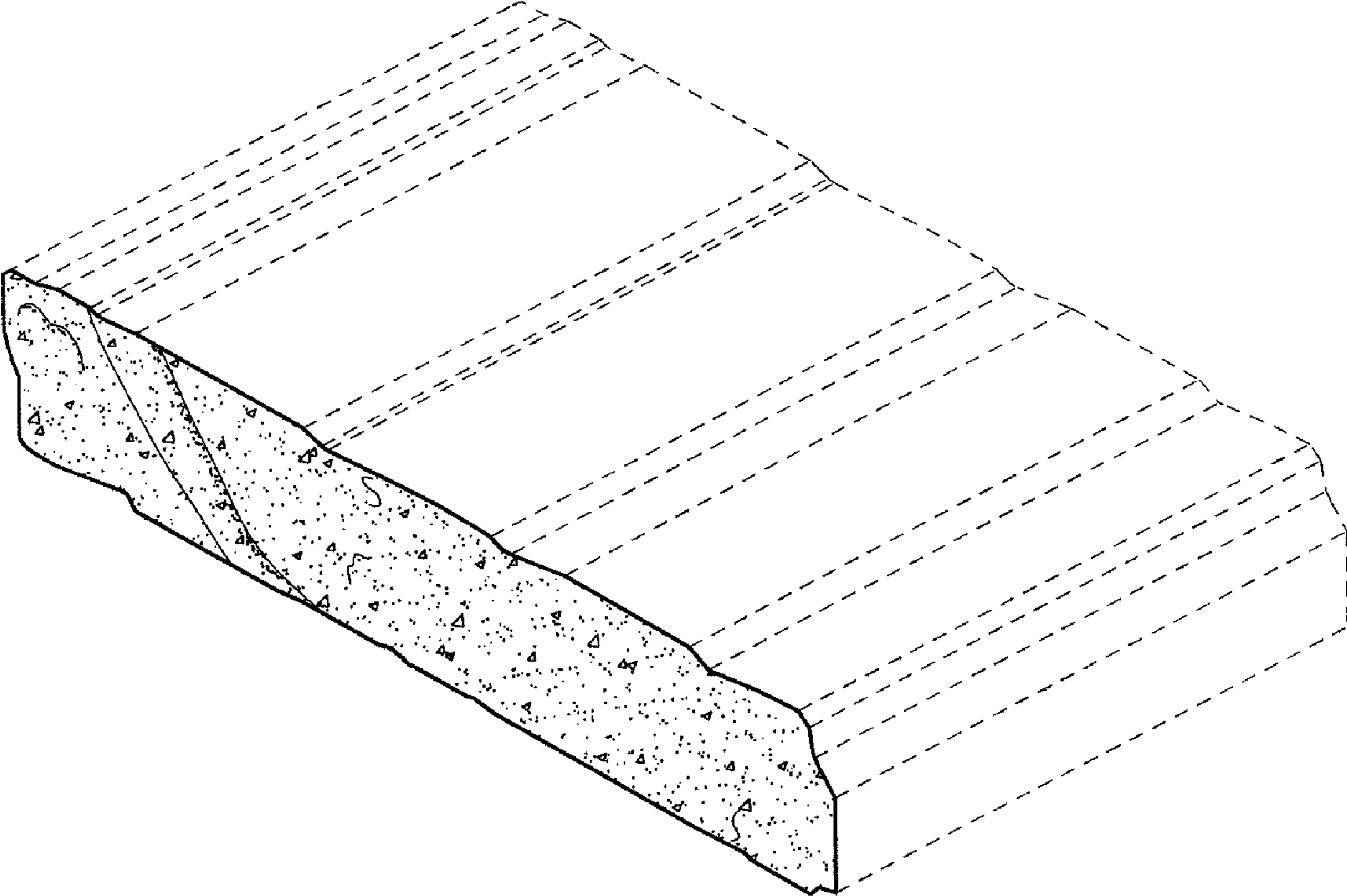


FIG. 1



FIG. 2

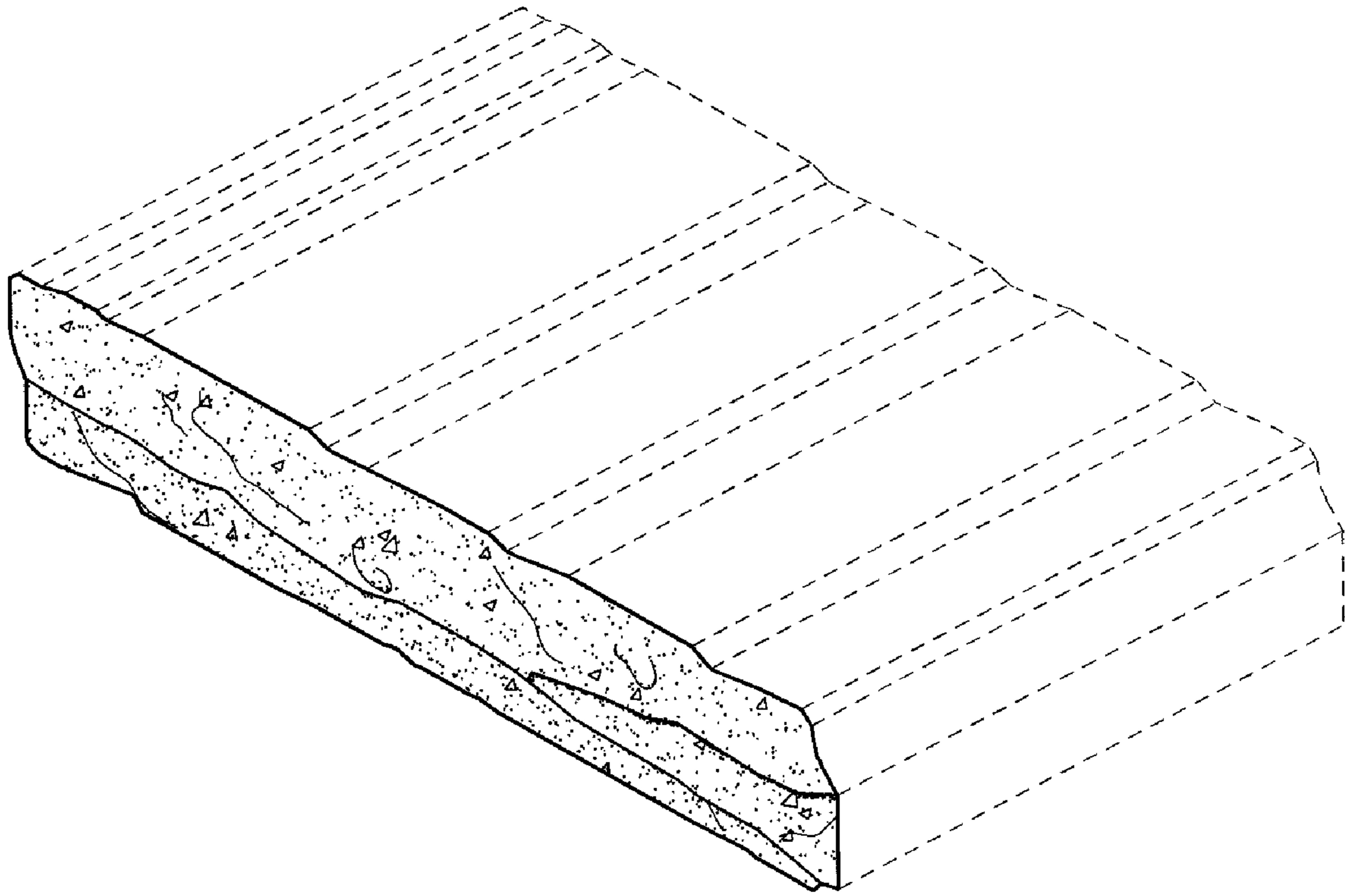


FIG. 3

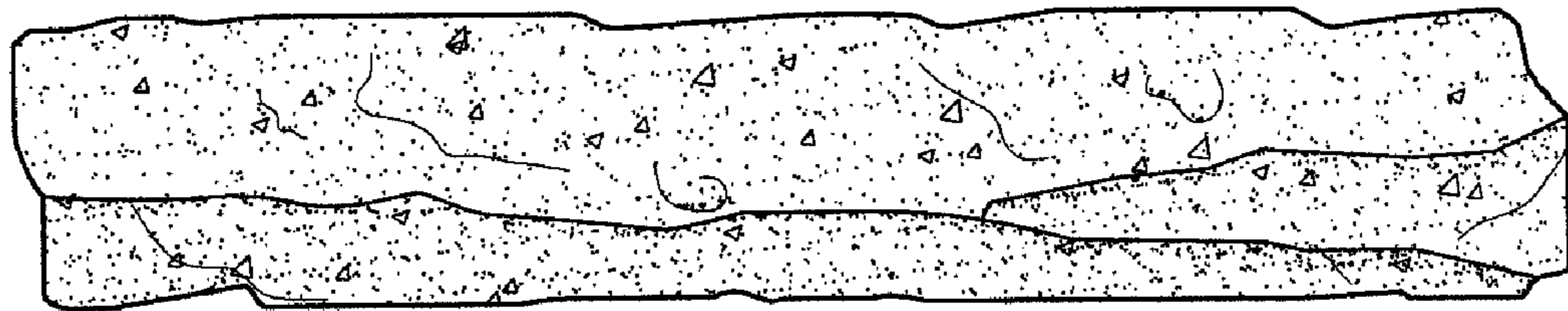


FIG. 4