



US00D617911S

(12) **United States Design Patent**  
**Freeman et al.**

(10) **Patent No.:** **US D617,911 S**  
(45) **Date of Patent:** **\*\* Jun. 15, 2010**

(54) **STAND FOR AIR SAMPLERS**

(75) Inventors: **Linda L. Freeman**, Rancho Murieta, CA (US); **Heidi C. Hayes**, Folsom, CA (US); **Bradley A. Mosakowski**, Shingle Springs, CA (US); **Donald L. Smith**, West Newton, PA (US); **Mark A. McFreely**, Monongahela, PA (US); **Saulius Trakumas**, Pittsburgh, PA (US); **Linda S. Coyne**, Pittsburgh, PA (US)

(73) Assignee: **Airtox, Inc.**, Folsom, CA (US)

(\*\*) Term: **14 Years**

(21) Appl. No.: **29/316,355**

(22) Filed: **Sep. 16, 2009**

(51) **LOC (9) Cl.** ..... **23-01**

(52) **U.S. Cl.** ..... **D24/227**

(58) **Field of Classification Search** ..... D24/216,  
D24/224, 226–232, 128; 300/300, 301, 368,  
300/372, 481, 529, 544, 554, 561; 422/1,  
422/61, 68.1, 99–104, 129; D10/46, 75,  
D10/81, 78; D3/313; D6/512; D7/467,  
D7/354, 590, 600.1, 600; D9/517; D4/102;  
D28/73, 61; D23/355

See application file for complete search history.

(56) **References Cited**

**U.S. PATENT DOCUMENTS**

D321,940 S *	11/1991	D'Aquino et al. ....	D24/226
D322,856 S *	12/1991	Heath et al. ....	D24/226
D323,400 S *	1/1992	Frenkel et al. ....	D24/230
D324,271 S *	2/1992	Frenkel et al. ....	D24/226
D324,454 S *	3/1992	Herron .....	D4/102
D327,743 S *	7/1992	Frenkel et al. ....	D24/227
D333,522 S *	2/1993	Gianino .....	D24/229
D333,523 S *	2/1993	Gianino .....	D6/467
D343,457 S *	1/1994	Stalec et al. ....	D24/232
D345,611 S *	3/1994	Long .....	D24/226
D360,485 S *	7/1995	Simonelli .....	D28/73

D367,932 S *	3/1996	Lim .....	D24/224
D369,415 S *	4/1996	Boulton et al. ....	D24/224
D387,559 S *	12/1997	Williamson .....	D3/313
D413,391 S *	8/1999	Lapeus et al. ....	D24/227
D413,677 S *	9/1999	Dumitrescu et al. ....	D24/229
D417,009 S *	11/1999	Boyd .....	D24/227
D420,747 S *	2/2000	Dumitrescu et al. ....	D24/227
D421,130 S *	2/2000	Cohen et al. ....	D24/229
D428,497 S *	7/2000	Lapeus et al. ....	D24/227

(Continued)

*Primary Examiner*—T. Chase Nelson  
*Assistant Examiner*—Mark Cavanna  
(74) *Attorney, Agent, or Firm*—Heisler & Associates

(57) **CLAIM**

The ornamental design for a stand for air samplers, as shown and described.

**DESCRIPTION**

FIG. 1 is a perspective view of the stand for air samplers shown from above and in use holding a pair of air samplers.

FIG. 2 is a top plan view of the invention.

FIG. 3 is a front elevation view of the invention, the rear elevation view being a mirror image.

FIG. 4 is a left side view of the invention.

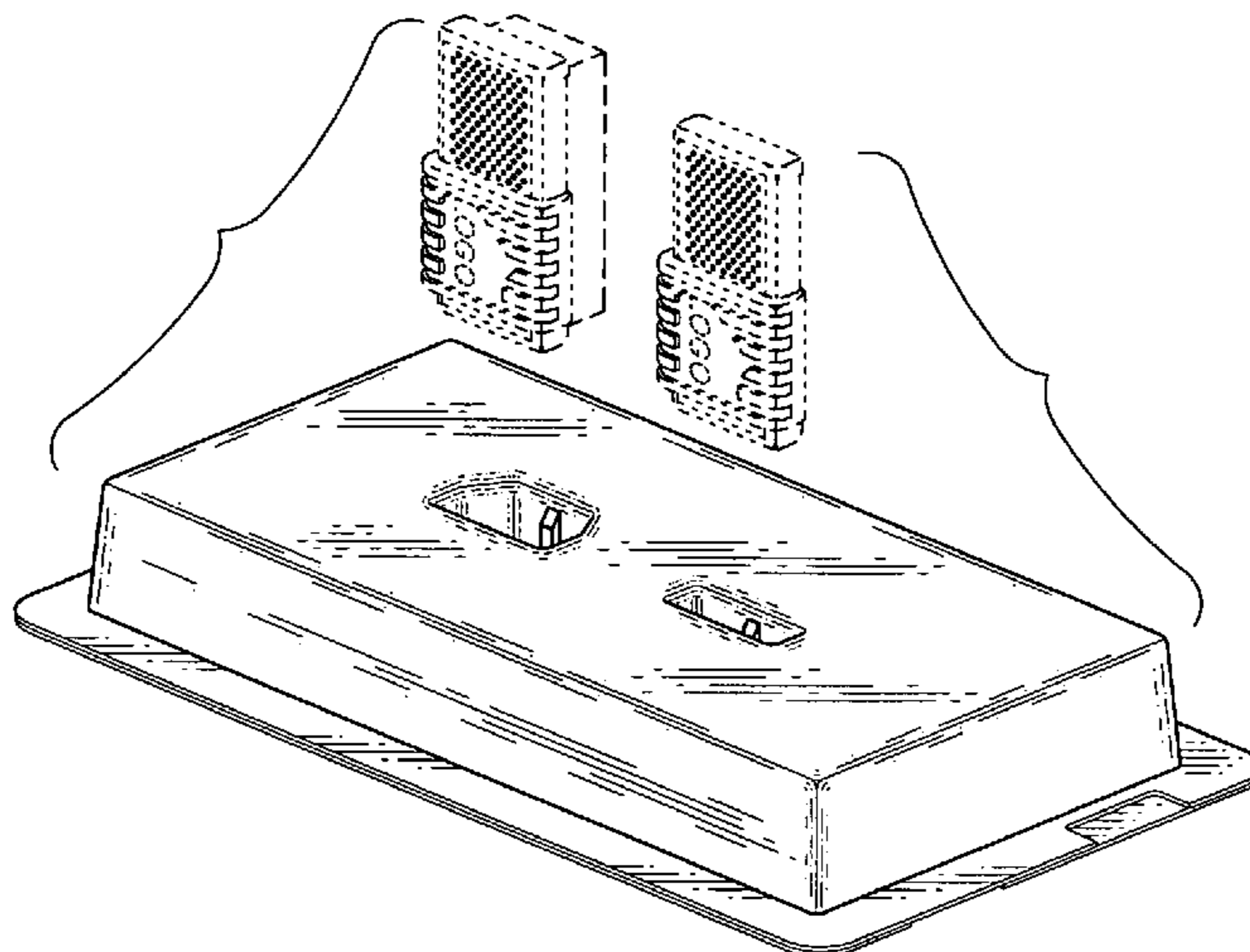
FIG. 5 is a right side view of the invention.

FIG. 6 is a bottom plan view of the invention; and,

FIG. 7 is a perspective view of the invention from below.

The broken lines in FIG. 1 are for purposes of illustration only and form no part of the claimed design.

**1 Claim, 2 Drawing Sheets**



# US D617,911 S

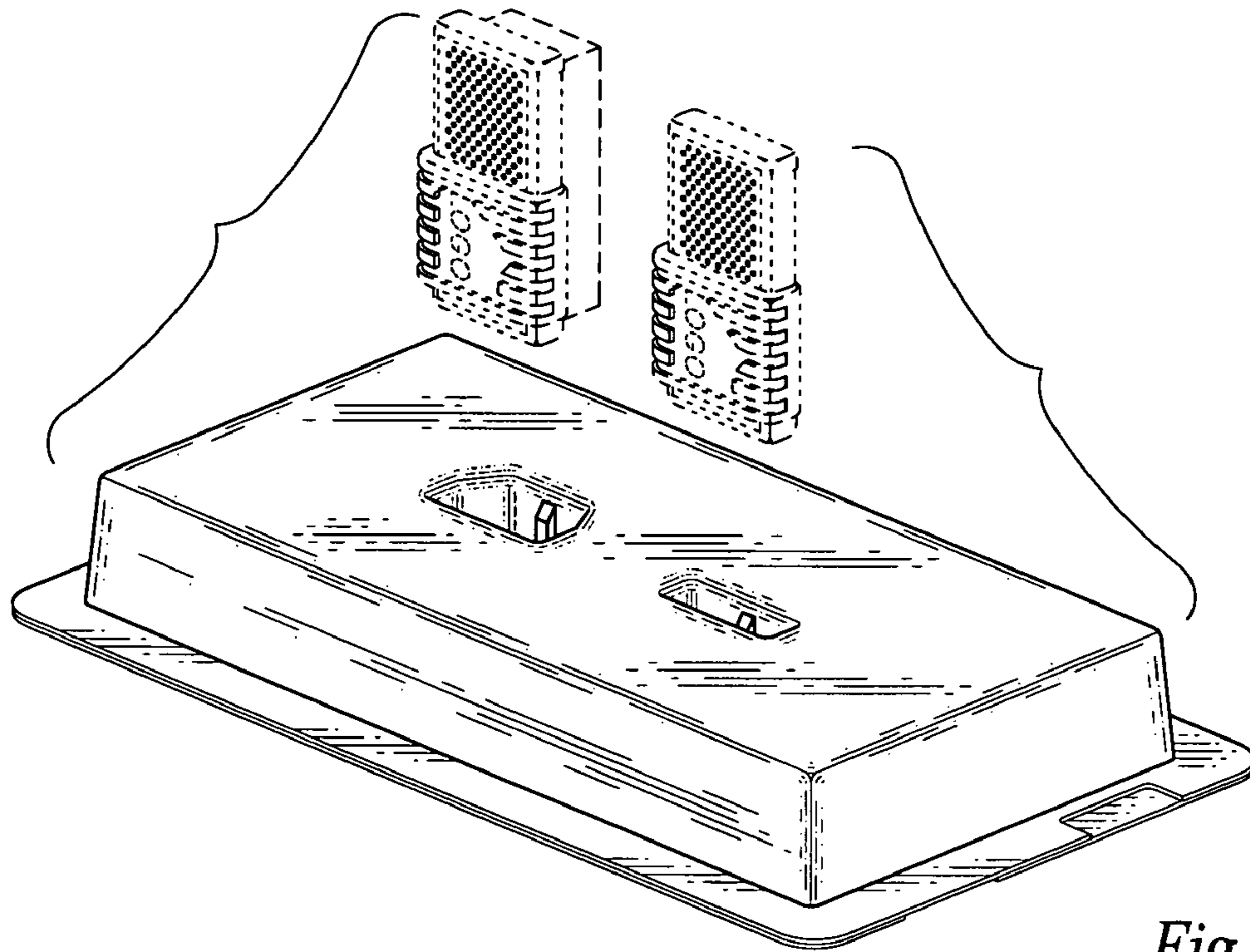
Page 2

---

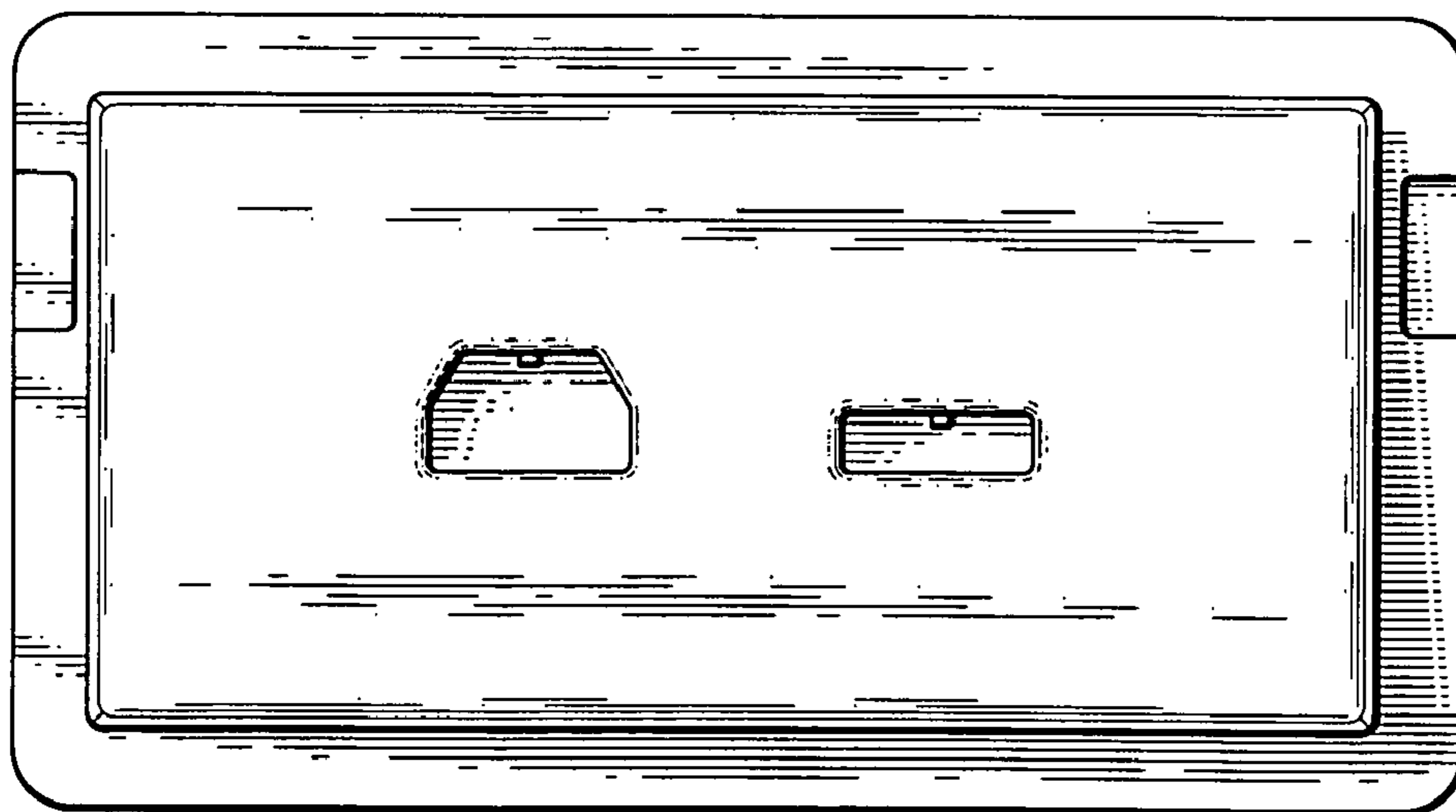
## U.S. PATENT DOCUMENTS

D438,632 S *	3/2001	Miller	.....	D24/216	D517,700 S *	3/2006	Pressman et al.	.....	D24/227
D438,633 S *	3/2001	Miller	.....	D24/224	D522,317 S *	6/2006	Pierce	.....	D7/590
D481,133 S *	10/2003	Blouin et al.	.....	D24/226	D523,288 S *	6/2006	Pierce	.....	D9/737
D501,679 S *	2/2005	Smith	.....	D24/227	D533,948 S *	12/2006	Schaub et al.	.....	D24/229
D501,680 S *	2/2005	Smith	.....	D24/230	D547,863 S *	7/2007	Heinsch	.....	D24/128
D511,822 S *	11/2005	Cole et al.	.....	D23/355	D563,717 S *	3/2008	Rapaz	.....	D7/354
					D589,626 S *	3/2009	Petersen	.....	D24/230

\* cited by examiner



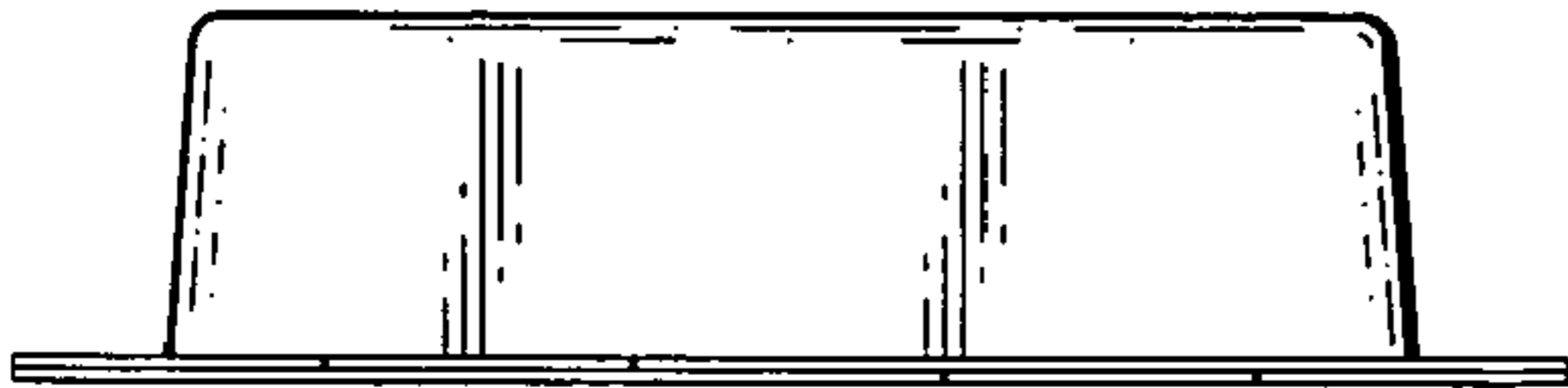
*Fig. 1*



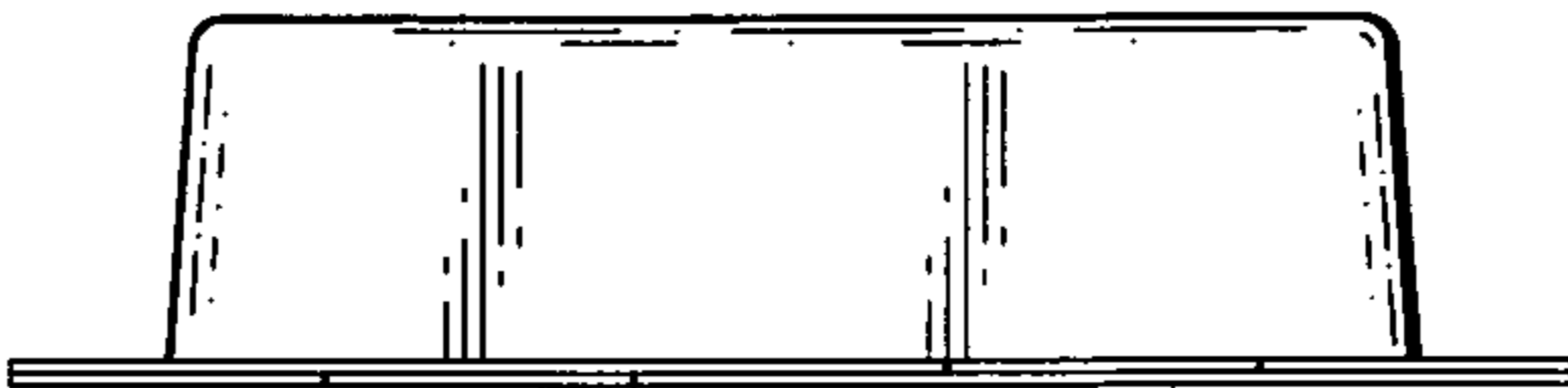
*Fig. 2*



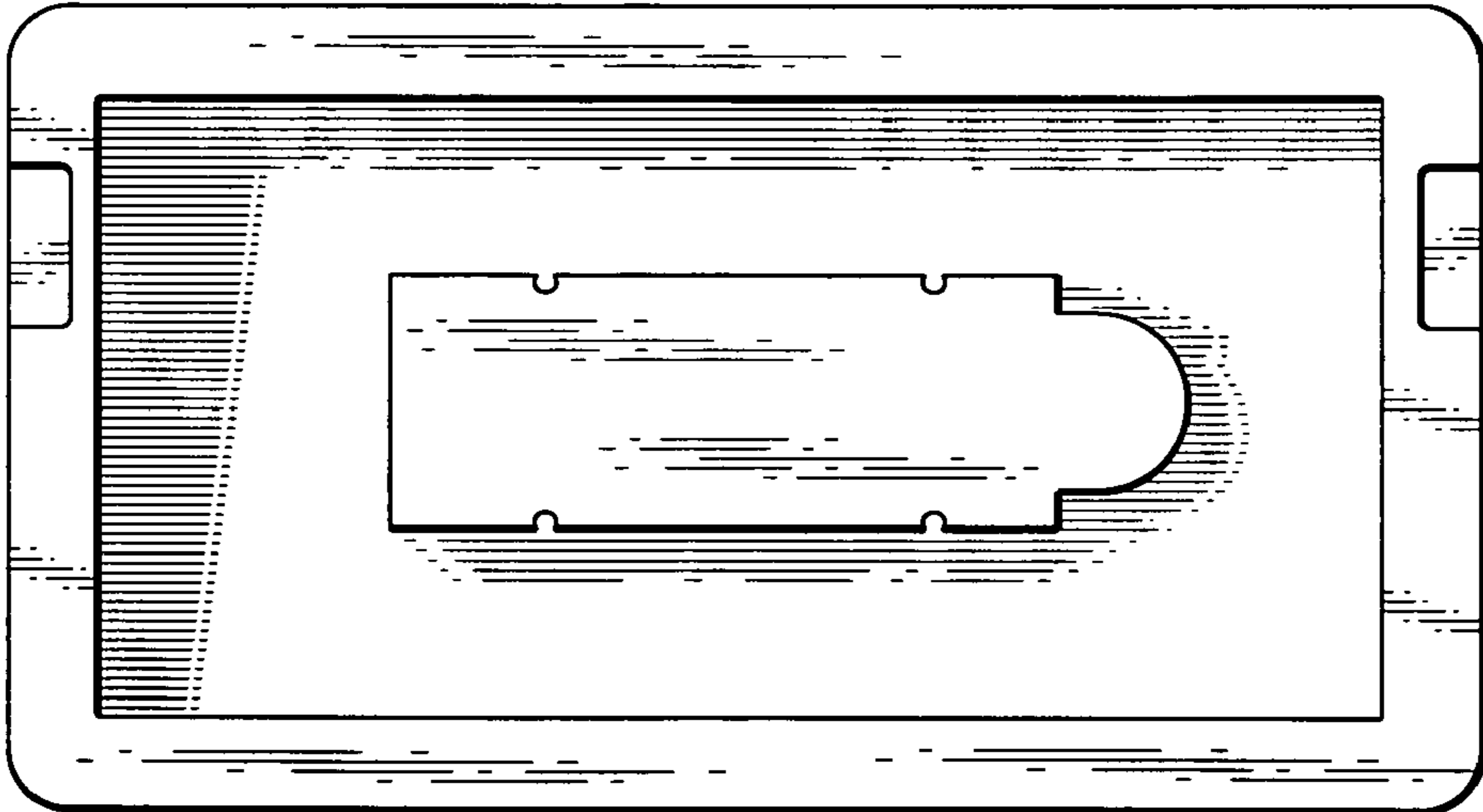
*Fig. 3*



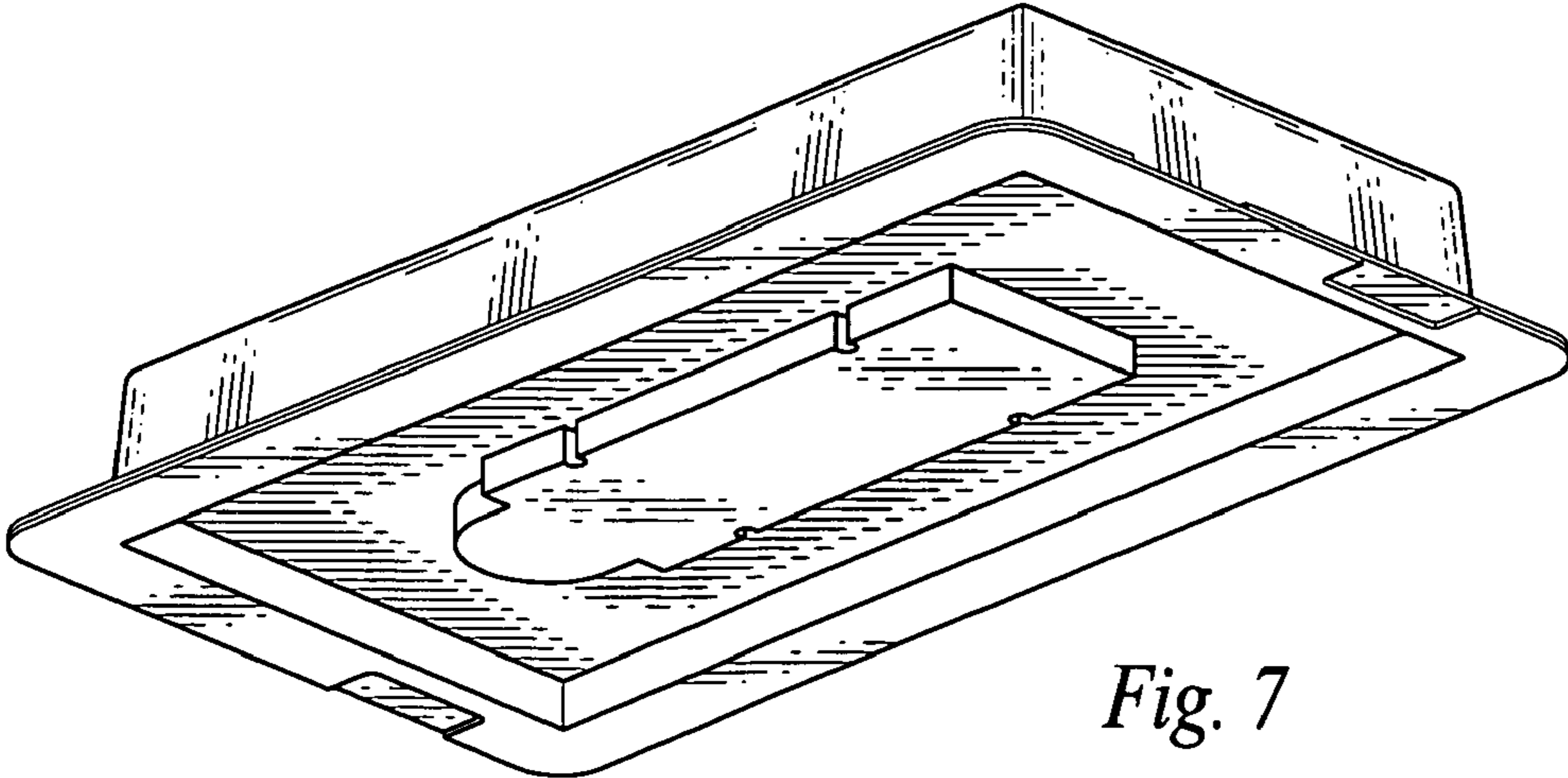
*Fig. 4*



*Fig. 5*



*Fig. 6*



*Fig. 7*