



US00D617910S

(12) **United States Design Patent**
Horton et al.

(10) **Patent No.:** **US D617,910 S**
(45) **Date of Patent:** **** Jun. 15, 2010**

(54) **RADIATION SHIELDING CONTAINER LID**

(75) Inventors: **Duane L. Horton**, St. Louis, MO (US);
Andrew D. Speth, St. Louis, MO (US)

(73) Assignee: **Mallinckrodt Inc.**, Hazelwood, MO
(US)

(**) Term: **14 Years**

(21) Appl. No.: **29/346,942**

(22) Filed: **Nov. 9, 2009**

Related U.S. Application Data

(62) Division of application No. 29/279,647, filed on May
4, 2007, now Pat. No. Des. 607,117.

(51) **LOC (9) Cl.** **24-01**

(52) **U.S. Cl.** **D24/224**

(58) **Field of Classification Search** D24/216,
D24/222–226, 231, 232, 169; D10/80, 81;
422/99, 102; 435/288.1, 288.3, 289.1; D9/500,
D9/503, 504; 250/506.1; 220/253; 376/272;
976/DIG. 350

See application file for complete search history.

(56) **References Cited**

U.S. PATENT DOCUMENTS

4,673,813 A * 6/1987 Sanchez 250/506.1
D476,890 S * 7/2003 Hirose D9/440
D506,261 S * 6/2005 Hellstrom D24/224

D562,987 S * 2/2008 Colin et al. D24/224
2008/0197302 A1 * 8/2008 Fago et al. 250/506.1

* cited by examiner

Primary Examiner—T. Chase Nelson
Assistant Examiner—Anhdao Doan

(57) **CLAIM**

The ornamental design for a radiation shielding container lid,
as shown and described.

DESCRIPTION

FIG. 1 is a perspective view of a radiation shielding container
lid;

FIG. 2 is a top plan view of the lid of FIG. 1;

FIG. 3 is a cross section view thereof taken along line 3—3 in
FIG. 2;

FIG. 4 is a cross section view thereof taken along line 4—4 in
FIG. 2;

FIG. 5 is a front elevation view thereof, the rear elevation view
being identical thereto;

FIG. 6 is a left side elevation view thereof, the right side
elevation view being identical thereto; and,

FIG. 7 is a bottom plan view thereof.

The broken lines in the drawings are included for the purpose
of illustrating portions of the radiation shielding container lid
that form no part of the claimed design.

1 Claim, 7 Drawing Sheets

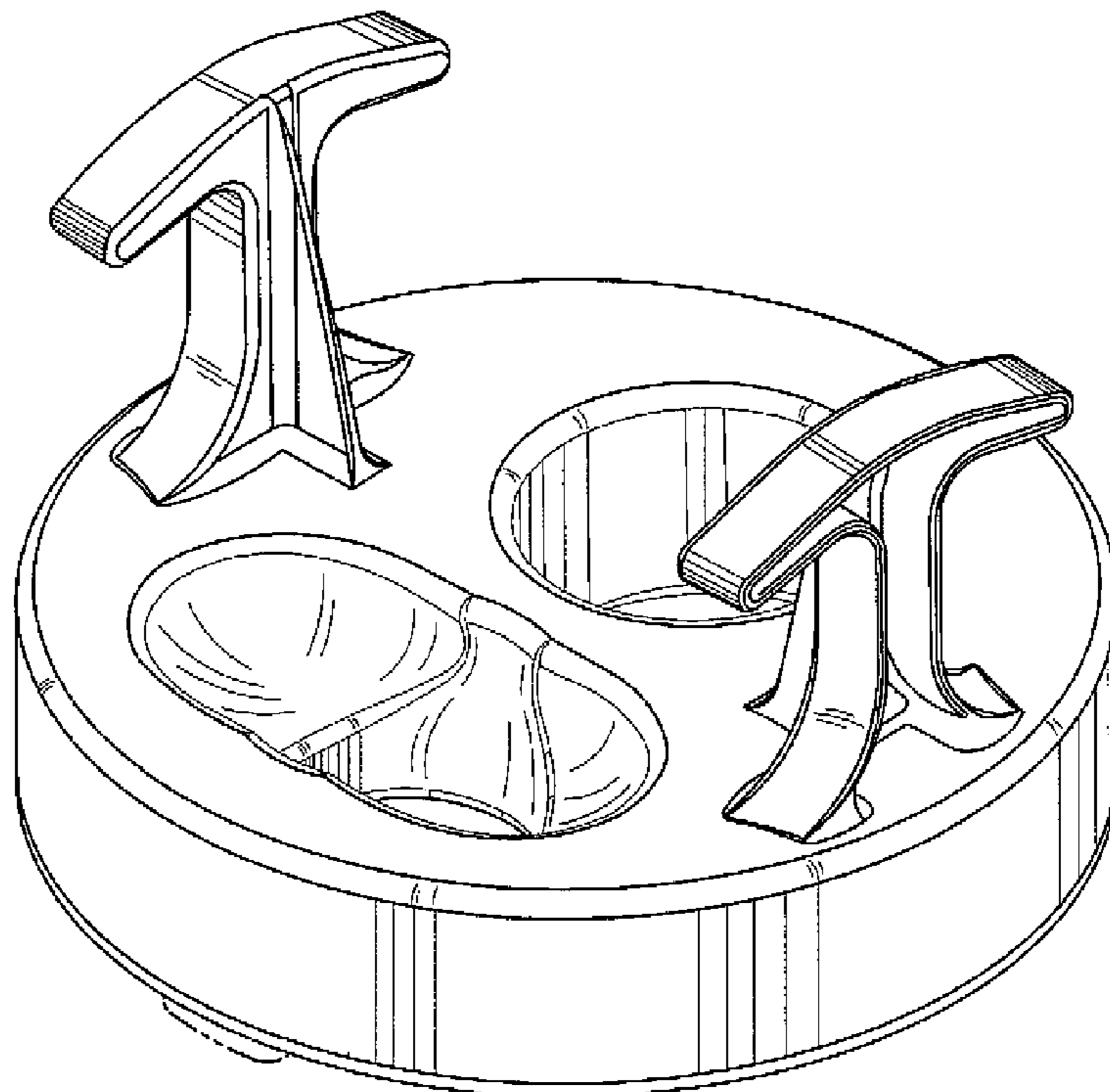


FIG. 1

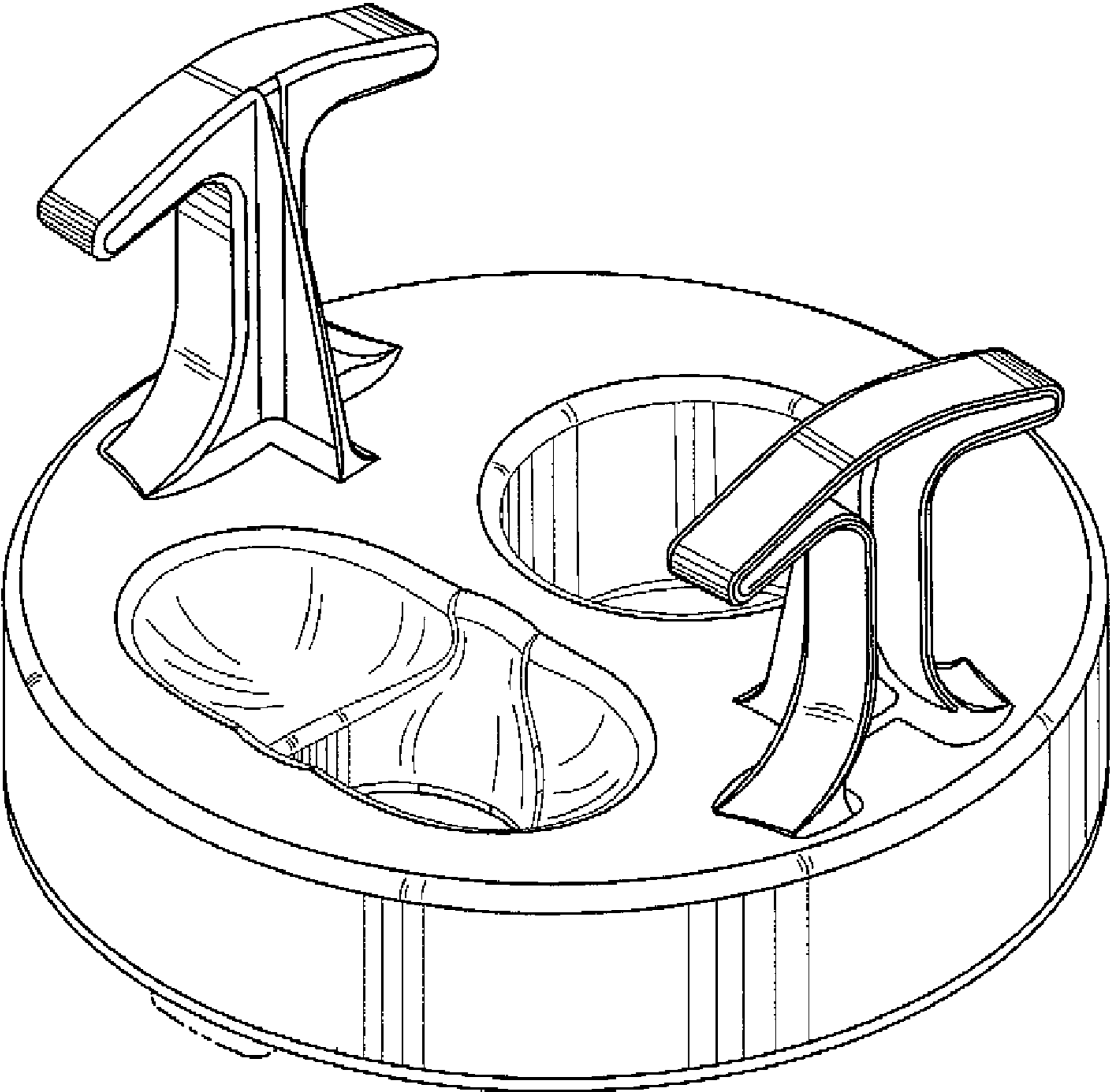


FIG. 2

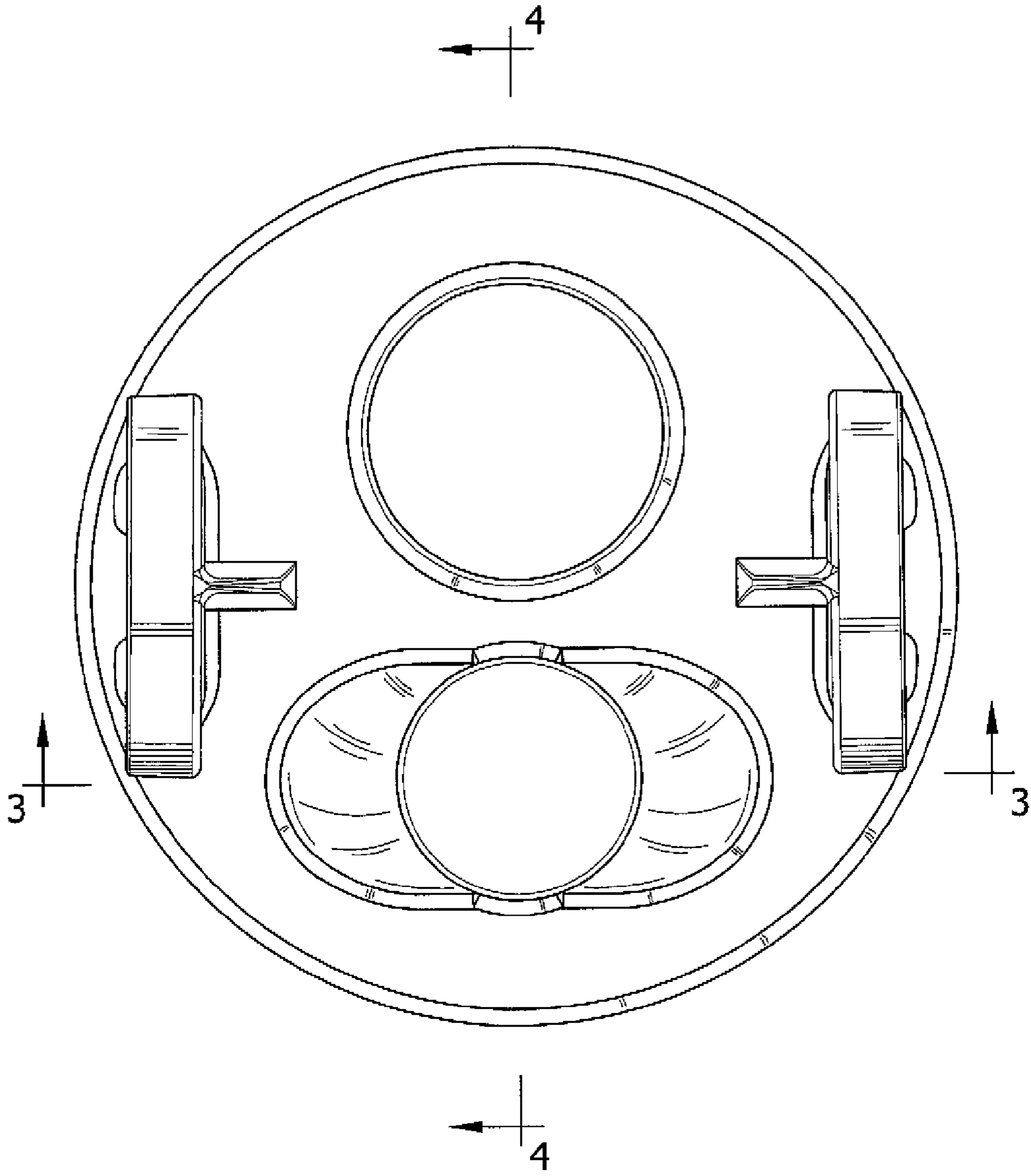


FIG. 3

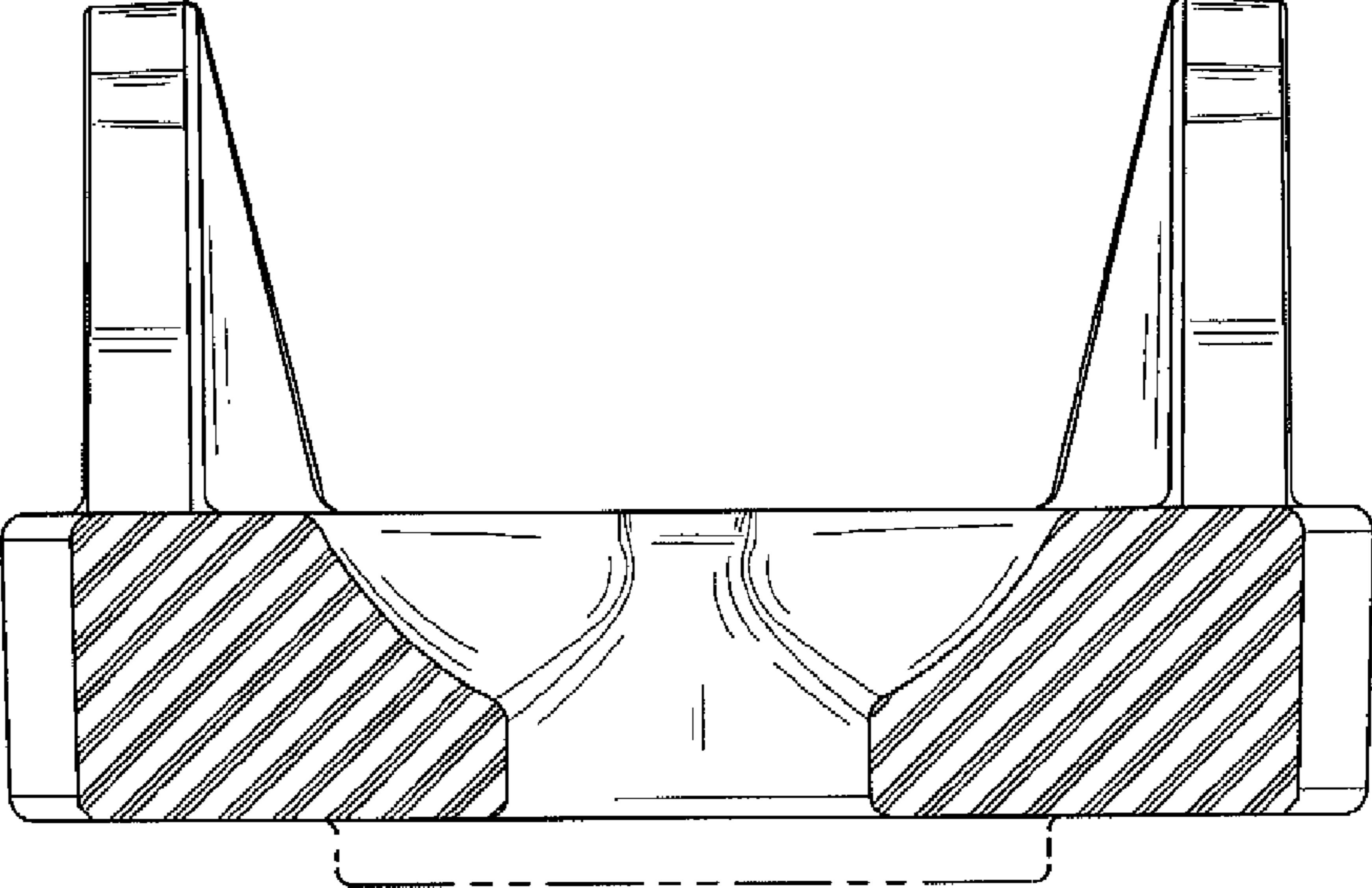


FIG. 4

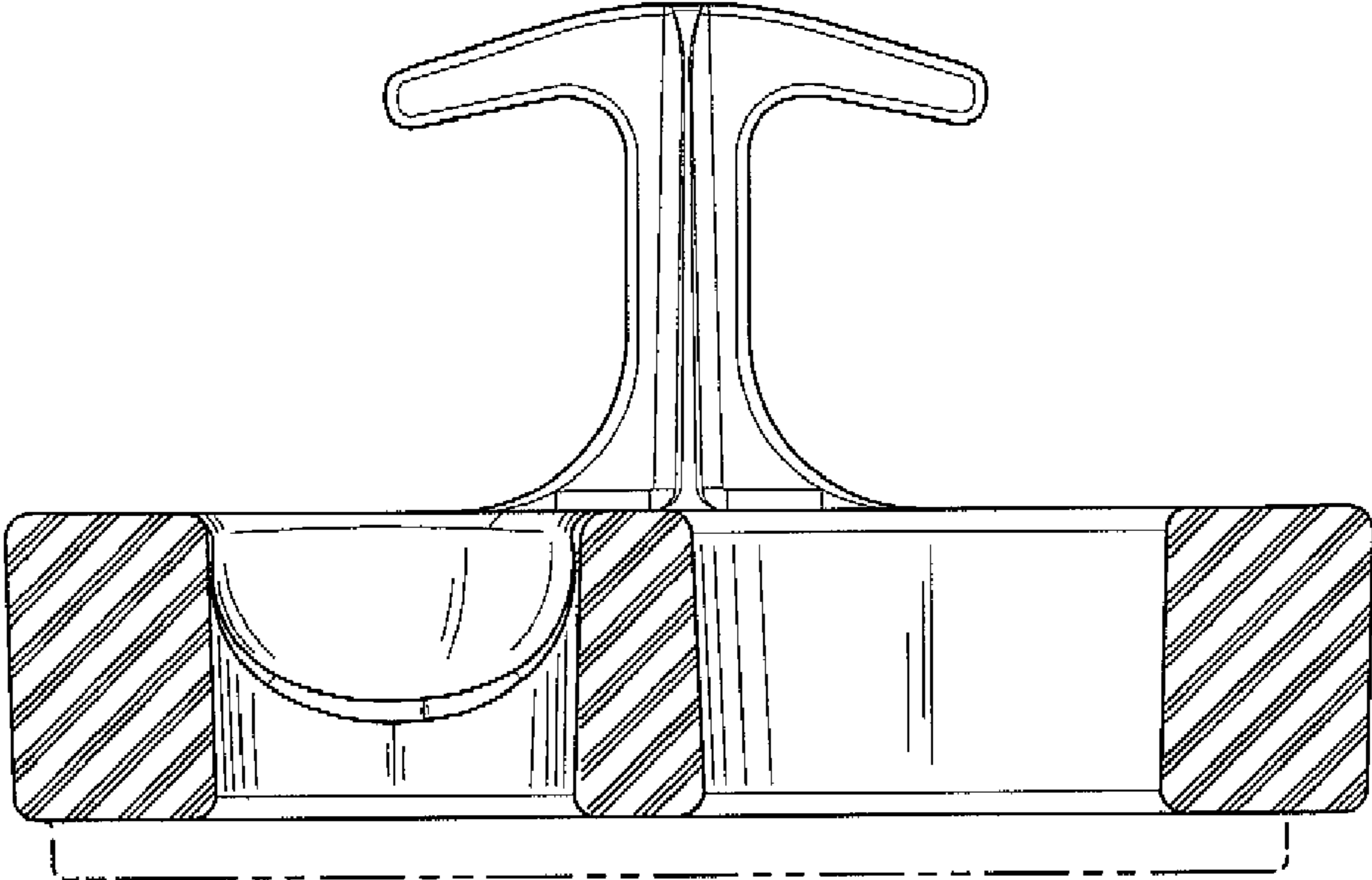


FIG. 5

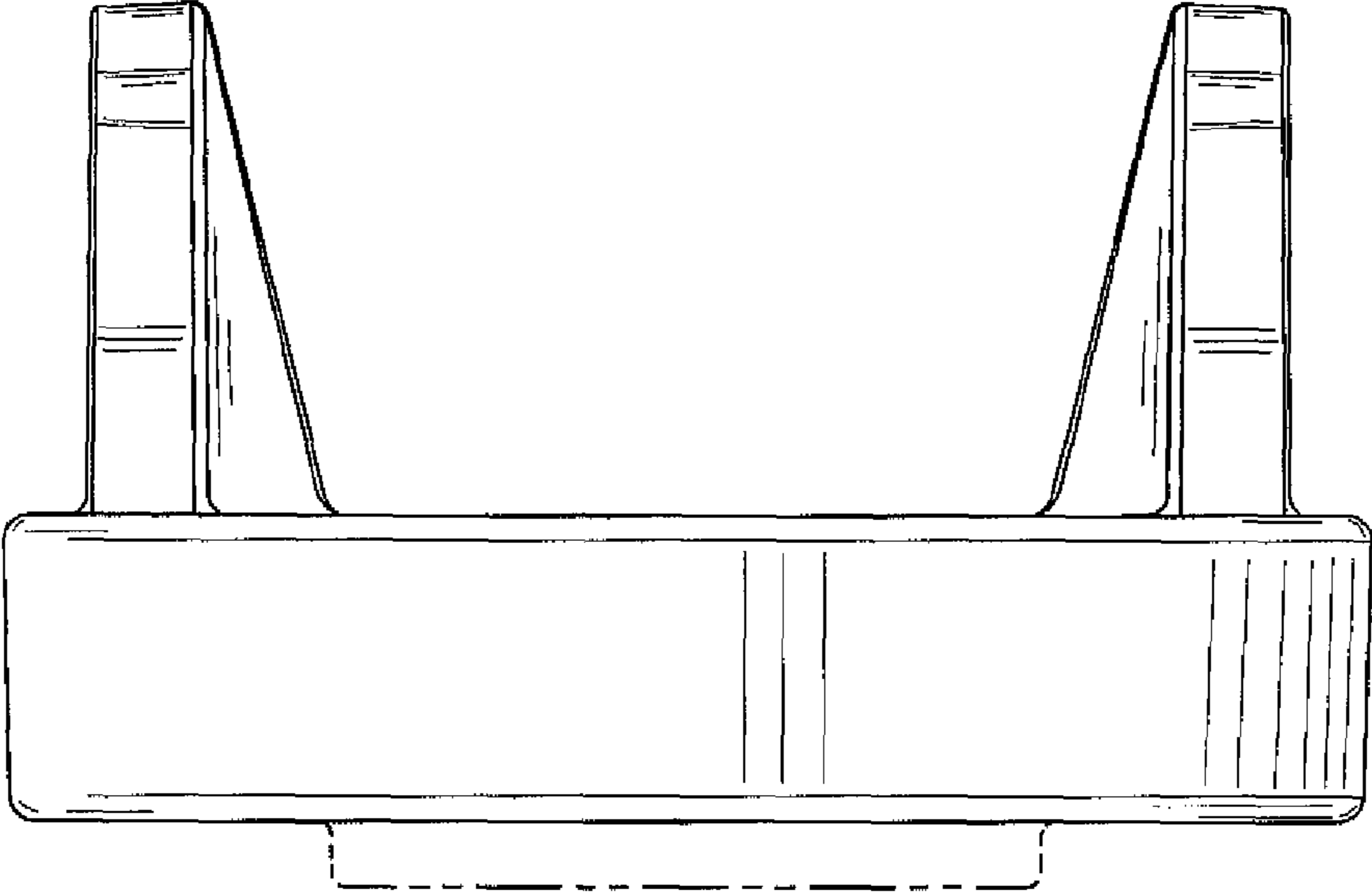


FIG. 6

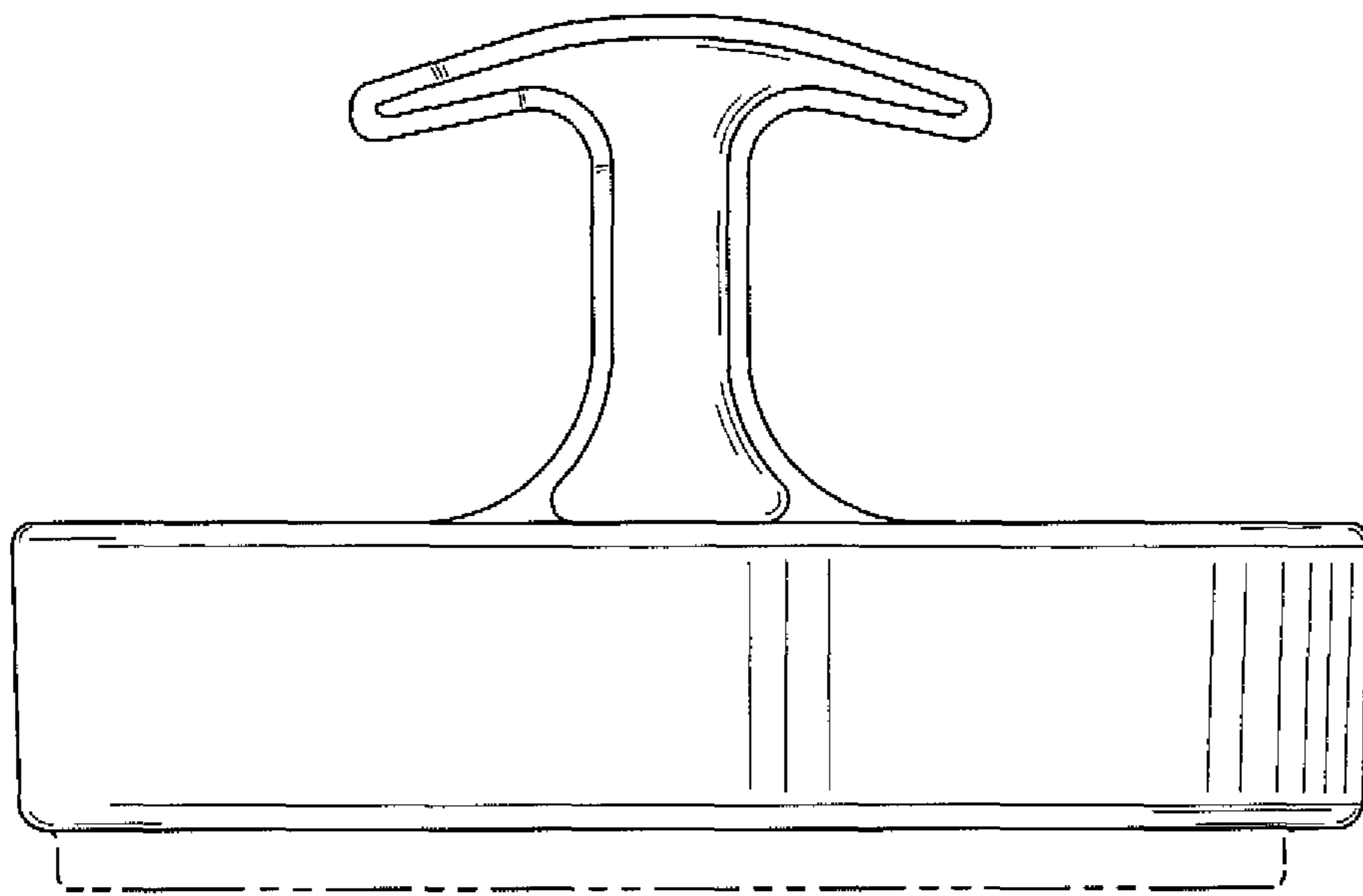


FIG. 7

