



US00D617909S

(12) **United States Design Patent**
Taniguchi et al.

(10) **Patent No.:** **US D617,909 S**
(45) **Date of Patent:** **** Jun. 15, 2010**

(54) **CENTRIFUGE**

(75) Inventors: **Takeshi Taniguchi**, Hitachinaka (JP);
Shinichi Kakefuda, Hitachinaka (JP)

(73) Assignee: **Hitachi Koki Co., Ltd.**, Tokyo (JP)

(**) Term: **14 Years**

(21) Appl. No.: **29/332,884**

(22) Filed: **Feb. 27, 2009**

(30) **Foreign Application Priority Data**

Sep. 5, 2008 (JP) 2008-022961

(51) **LOC (9) Cl.** **28-03**

(52) **U.S. Cl.** **D24/219**

(58) **Field of Classification Search** D24/217,
D24/232, 22, 219; 422/10, 12, 16, 20, 60,
422/72, 64

See application file for complete search history.

(56) **References Cited**

U.S. PATENT DOCUMENTS

D303,569 S *	9/1989	Eberle	D24/219
D303,570 S *	9/1989	Eberle	D24/219
D324,107 S *	2/1992	Koreeda et al.	D24/219
D335,930 S *	5/1993	Tominaga	D24/219
D343,904 S *	2/1994	Silver et al.	D24/219
D367,867 S *	3/1996	Suzuki et al.	D15/147
D433,147 S *	10/2000	Florkey et al.	D24/217
D437,418 S *	2/2001	Suzuki et al.	D24/219

D508,999 S *	8/2005	Fanning et al.	D24/216
D527,462 S *	8/2006	Raimann	D24/219
D536,491 S *	2/2007	Schumaier	D32/1
D538,436 S *	3/2007	Patadia et al.	D24/217
D569,988 S *	5/2008	Koop	D24/220
D599,235 S *	9/2009	Oberg	D10/81
D599,236 S *	9/2009	Oberg	D10/81

* cited by examiner

Primary Examiner—Elizabeth A Albert

Assistant Examiner—Kelley A Donnelly

(74) *Attorney, Agent, or Firm*—Sughrue Mion, PLLC

(57) **CLAIM**

The ornamental design for a centrifuge, as shown and described.

DESCRIPTION

FIG. 1 is a front perspective view of a centrifuge according to the present invention;

FIG. 2 is a front view thereof;

FIG. 3 is a rear view thereof;

FIG. 4 is a top view thereof;

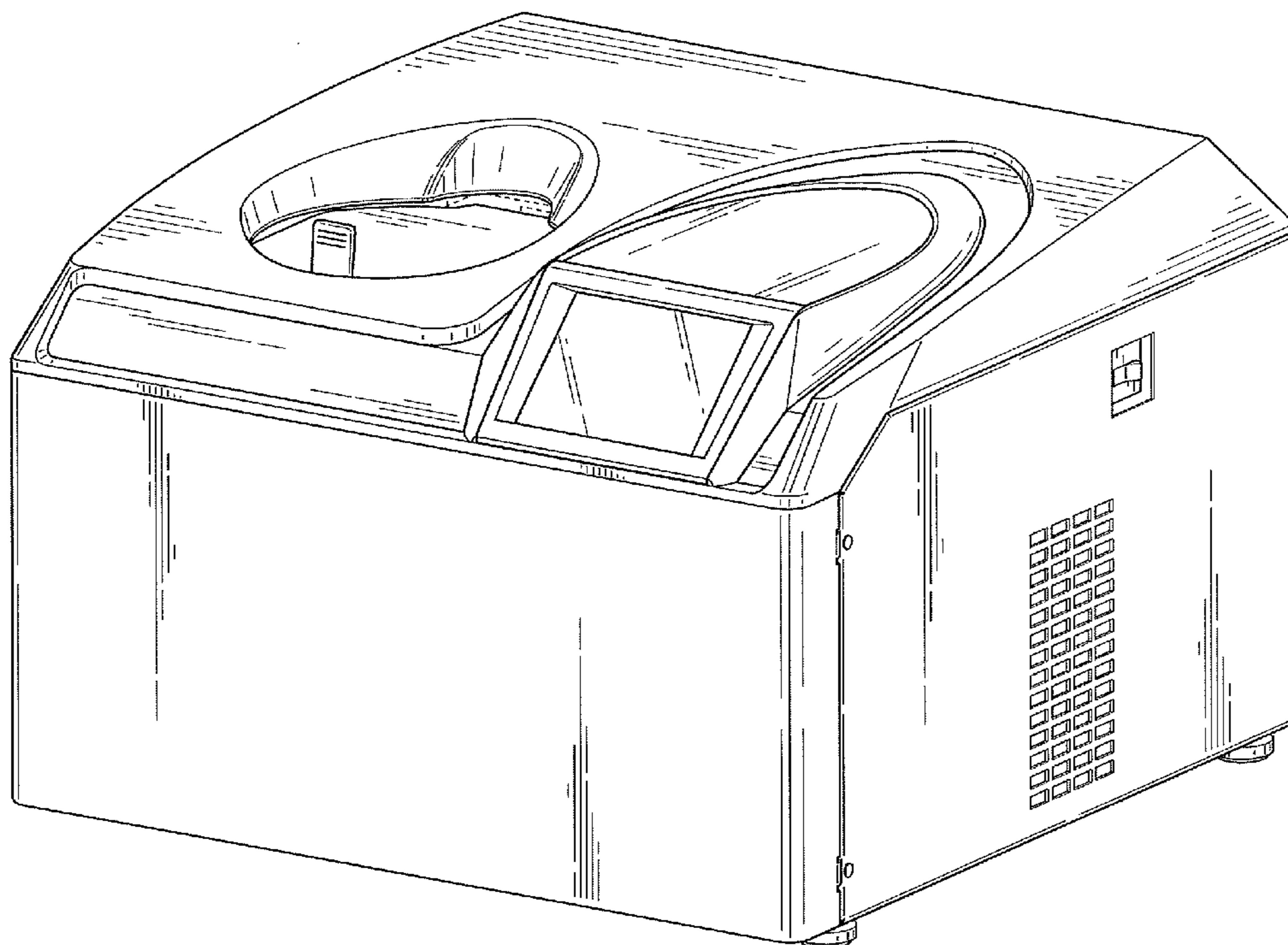
FIG. 5 is a bottom view thereof;

FIG. 6 is a left side view thereof; and,

FIG. 7 is a right side view thereof.

The broken lines shown in the drawing are for illustrative purposes only and form no part of the claimed design.

1 Claim, 5 Drawing Sheets



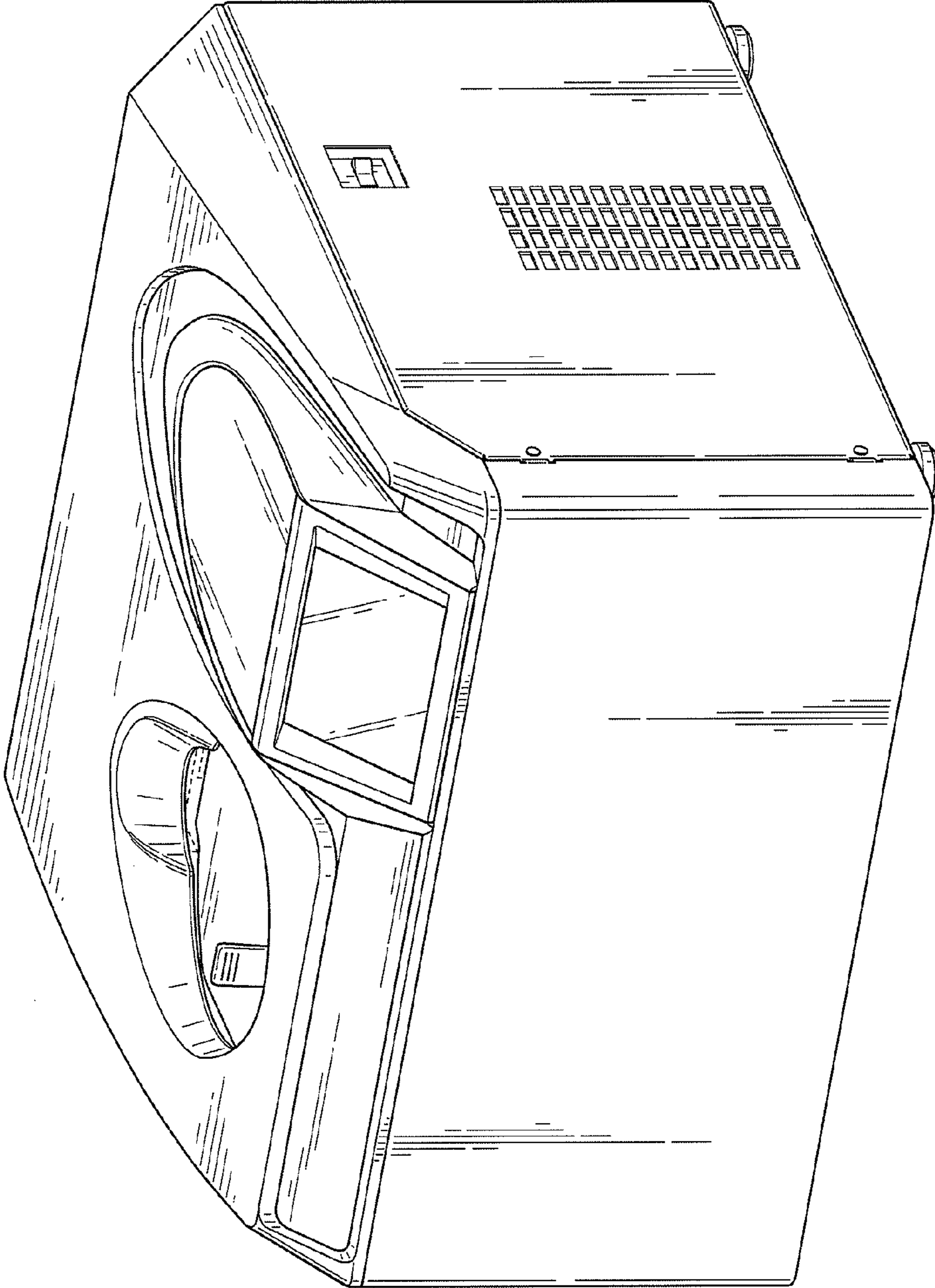


FIG. 1

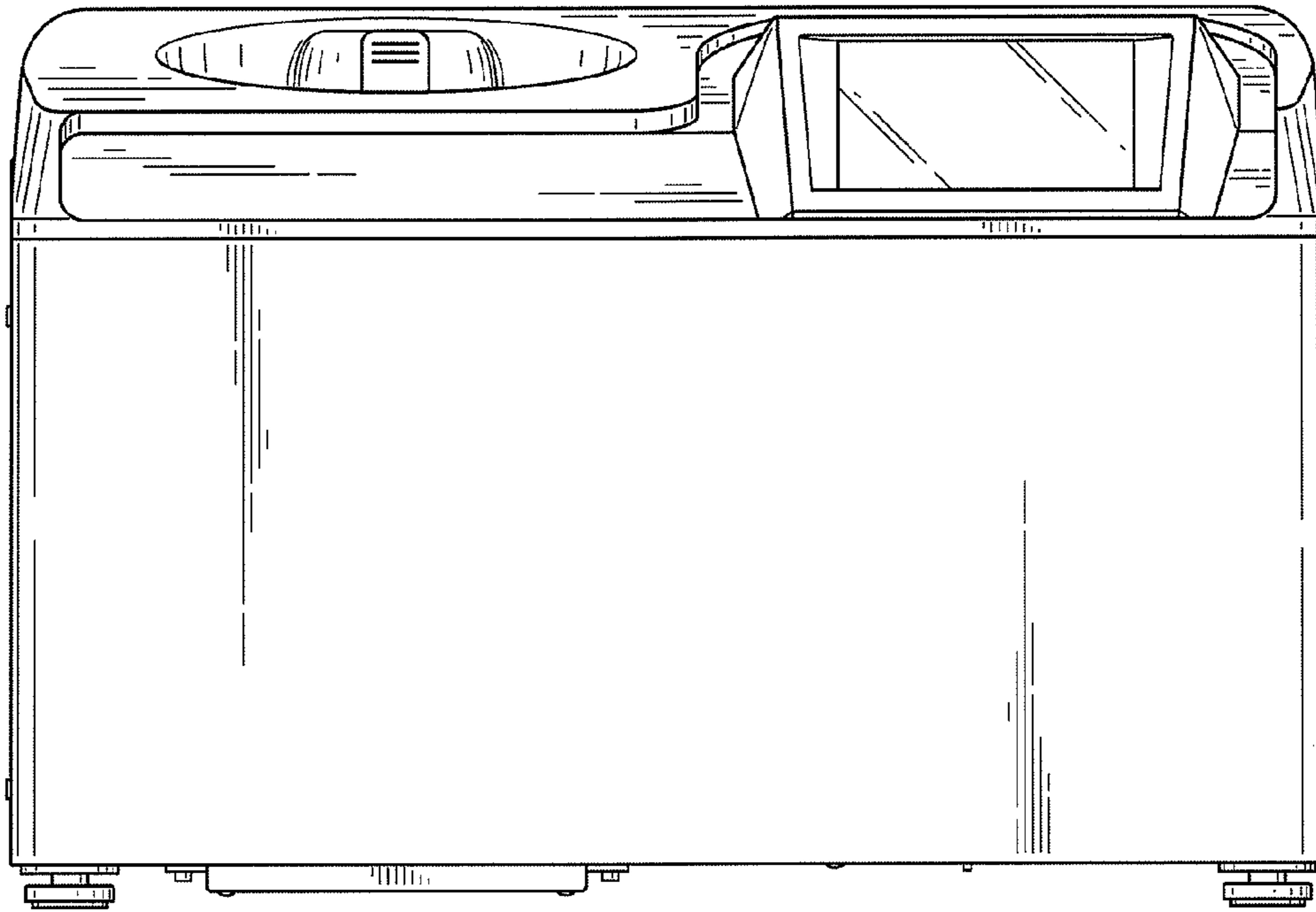


FIG. 2

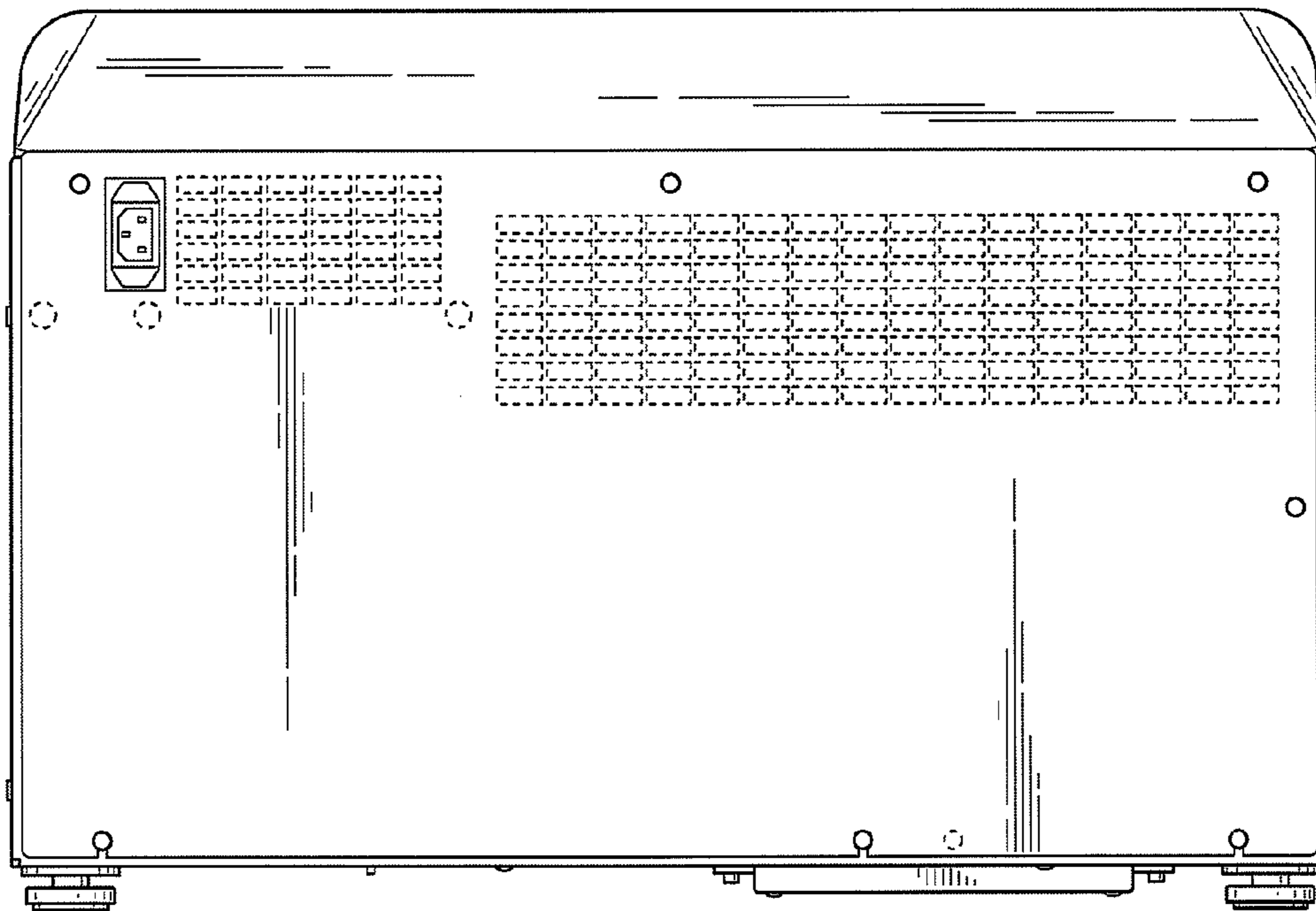


FIG. 3

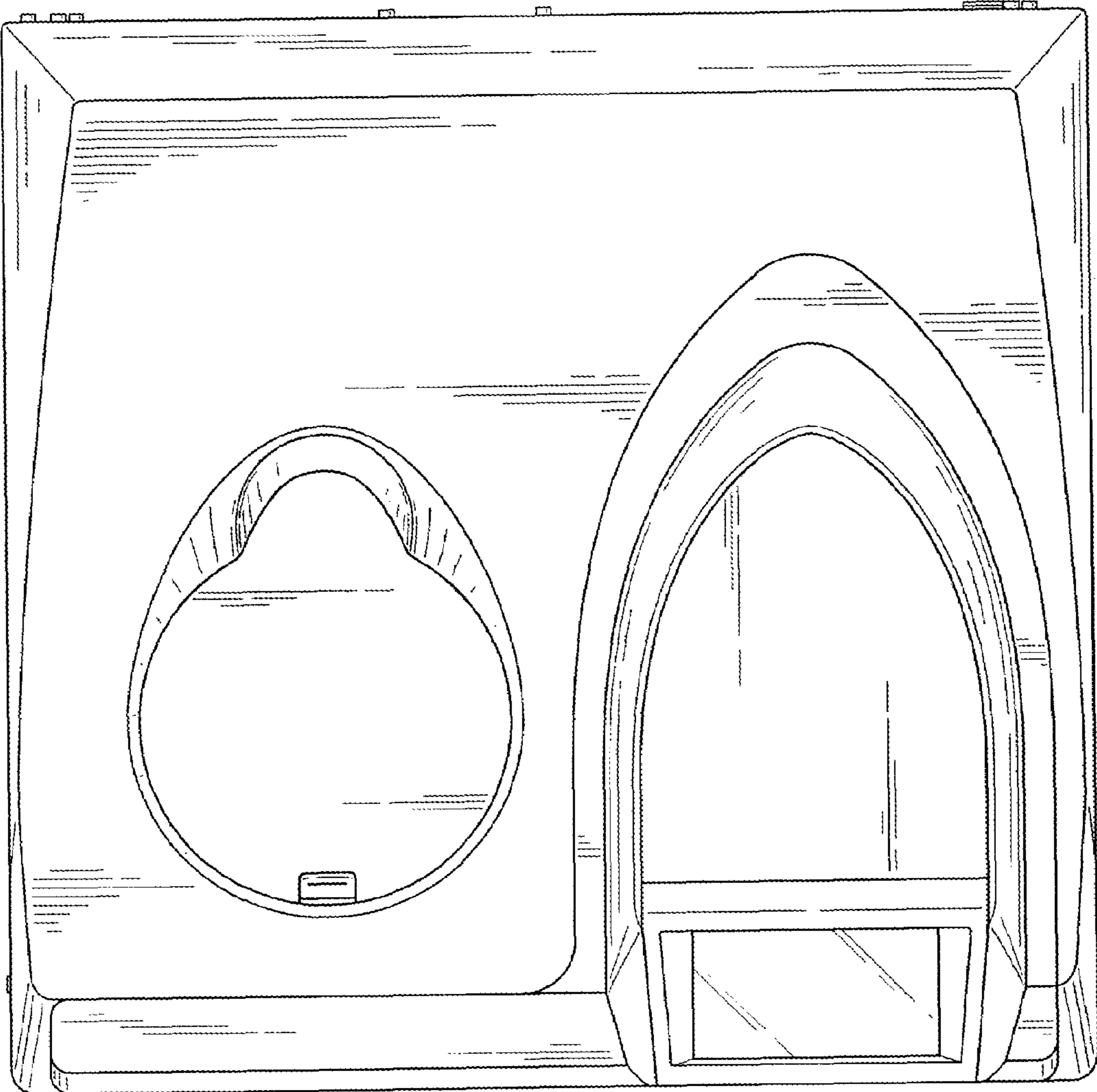


FIG. 4

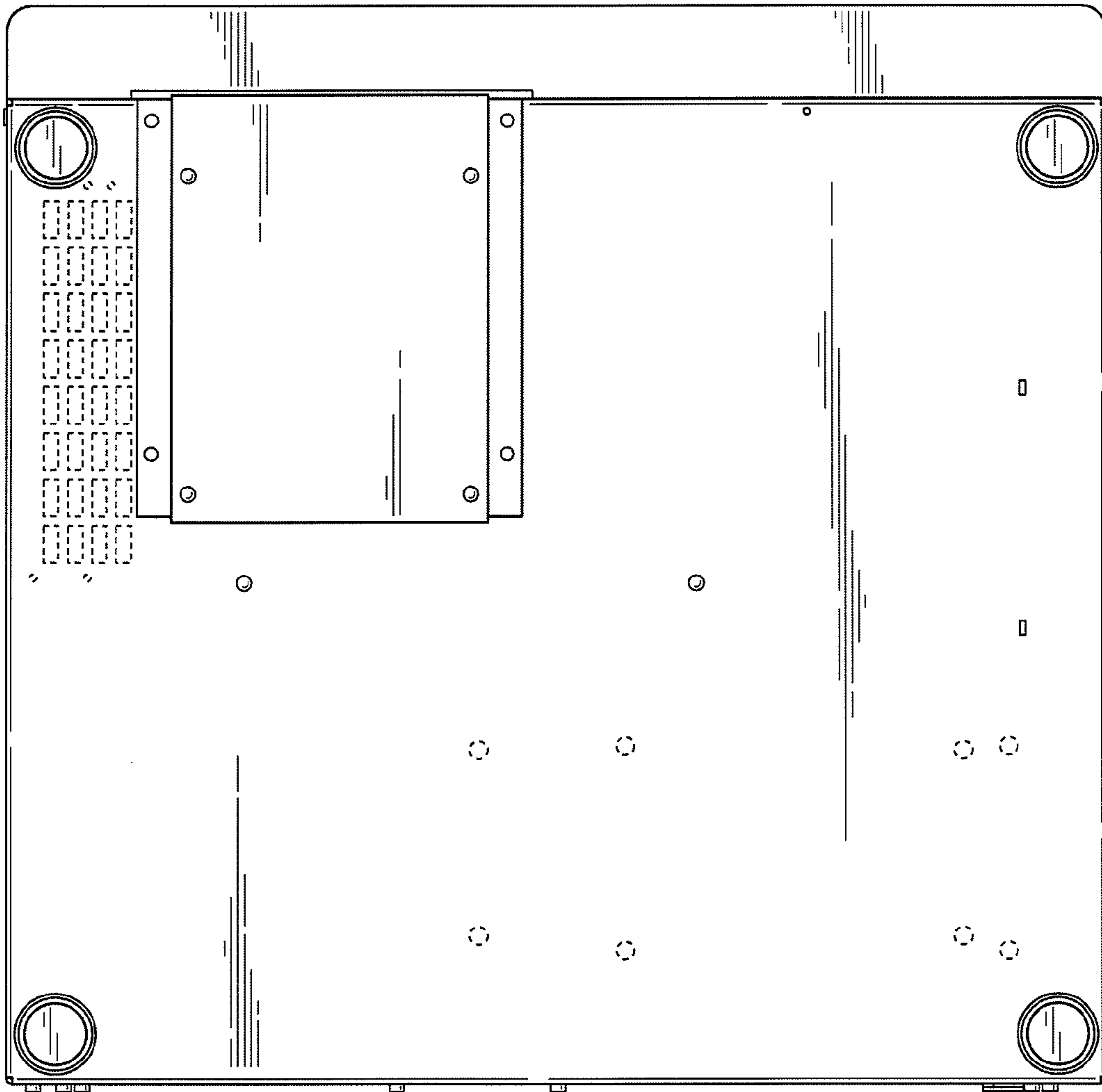


FIG. 5

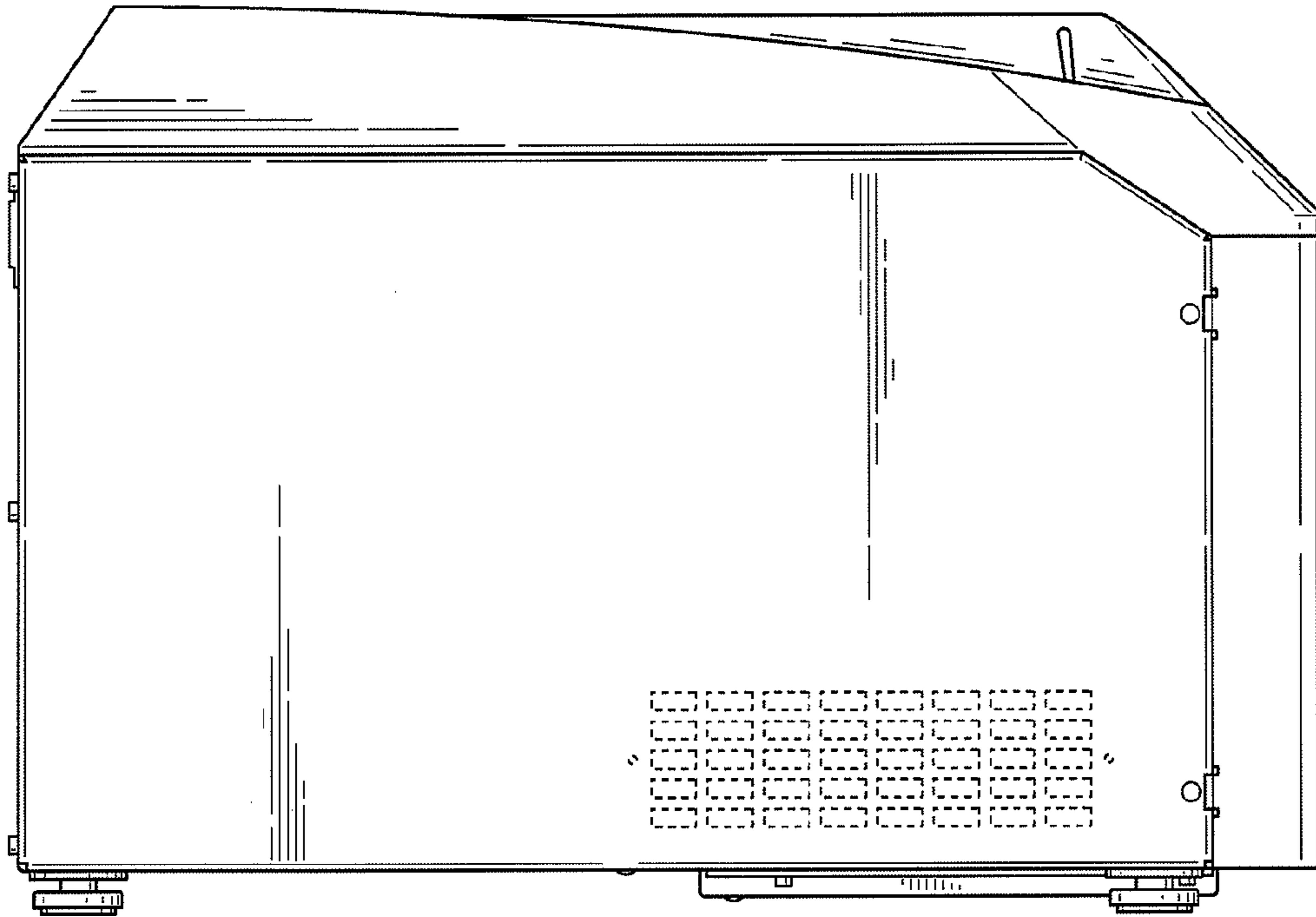


FIG. 6

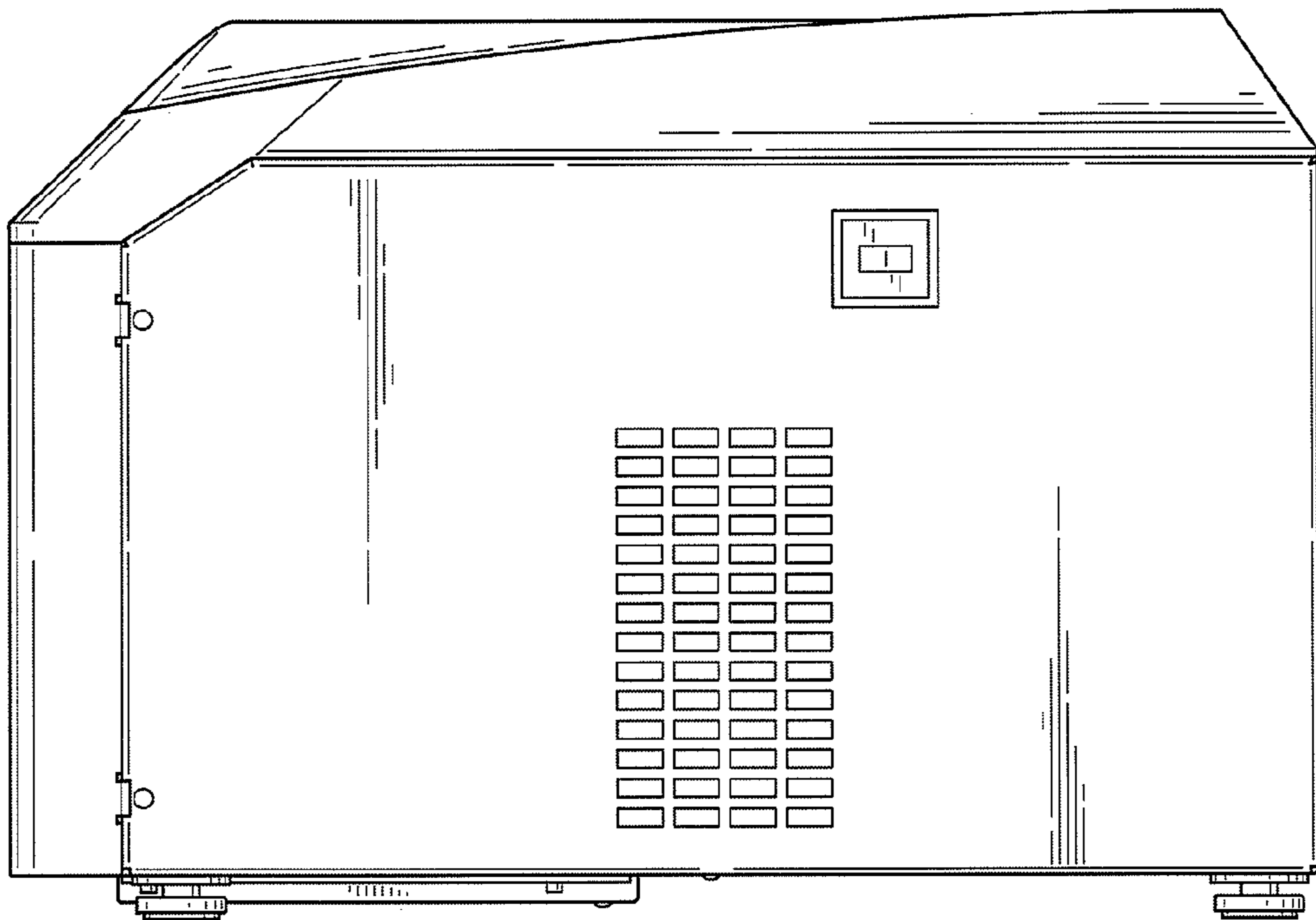


FIG. 7