



US00D617907S

(12) **United States Design Patent**
Waller

(10) **Patent No.:** **US D617,907 S**
(45) **Date of Patent:** **** Jun. 15, 2010**

(54) **TEMPORALMANDIBULAR JOINT BRACE**

(76) **Inventor:** **Cinde Waller**, 761 25 3/4 Road, Grand Junction, CO (US) 81505

(**) **Term:** **14 Years**

(21) **Appl. No.:** **29/331,079**

(22) **Filed:** **Jan. 20, 2009**

Related U.S. Application Data

(63) Continuation-in-part of application No. 29/279,235, filed on Apr. 24, 2007, now abandoned.

(51) **LOC (9) Cl.** **24-01**

(52) **U.S. Cl.** **D24/191**

(58) **Field of Classification Search** D24/188-191; D2/891, 892, 871, 877; D29/101.1, 108, D29/122; D21/662; 128/DIG. 15, 848, 876, 128/857; 602/6, 13, 17, 18, 36, 61, 74, 902; 607/109; 2/9, 171.2, 421, 422, 425; D16/339; 482/11, 124

See application file for complete search history.

(56) **References Cited**

U.S. PATENT DOCUMENTS

649,896	A *	5/1900	Baughman	128/848
904,760	A *	11/1908	Cutting	128/848
1,110,772	A *	9/1914	Gunderman	128/848
1,587,558	A *	6/1926	Sheffield	128/848
1,990,411	A *	2/1935	Lowry	128/848
D95,729	S	5/1935	Brown		
3,571,930	A *	3/1971	De Woskin	433/5
3,759,256	A	9/1973	O'Malley		
3,776,244	A	12/1973	Morgan		
4,207,881	A	6/1980	Richter		
D255,931	S *	7/1980	Therrien	D24/180

4,650,182	A	3/1987	Ross		
4,934,357	A	6/1990	Frantzich et al.		
5,020,536	A *	6/1991	Keen	607/109
D363,547	S *	10/1995	Huber	D24/191
5,687,743	A *	11/1997	Goodwin	128/848
5,768,715	A	6/1998	Gregg, III et al.		
5,893,365	A	4/1999	Anderson		
6,016,807	A *	1/2000	Lodge	128/848
6,126,683	A	10/2000	Momtaheni		
6,248,043	B1	6/2001	Morton		
7,011,642	B2	3/2006	Greene et al.		
7,124,758	B1 *	10/2006	Frank	128/848
D550,849	S *	9/2007	Baker	D24/191
2005/0227834	A1	10/2005	Lorelli et al.		

* cited by examiner

Primary Examiner—Philip S Hyder
Assistant Examiner—Susan E Krakower
(74) *Attorney, Agent, or Firm*—Crossley Patent Law; Mark A. Crossley

(57) **CLAIM**

The ornamental design for a temporalmandibular joint brace, as shown and described.

DESCRIPTION

FIG. 1 is an isometric view of a temporalmandibular joint brace showing my new design;

FIG. 2 is a front elevation view thereof;

FIG. 3 is a rear elevation view thereof;

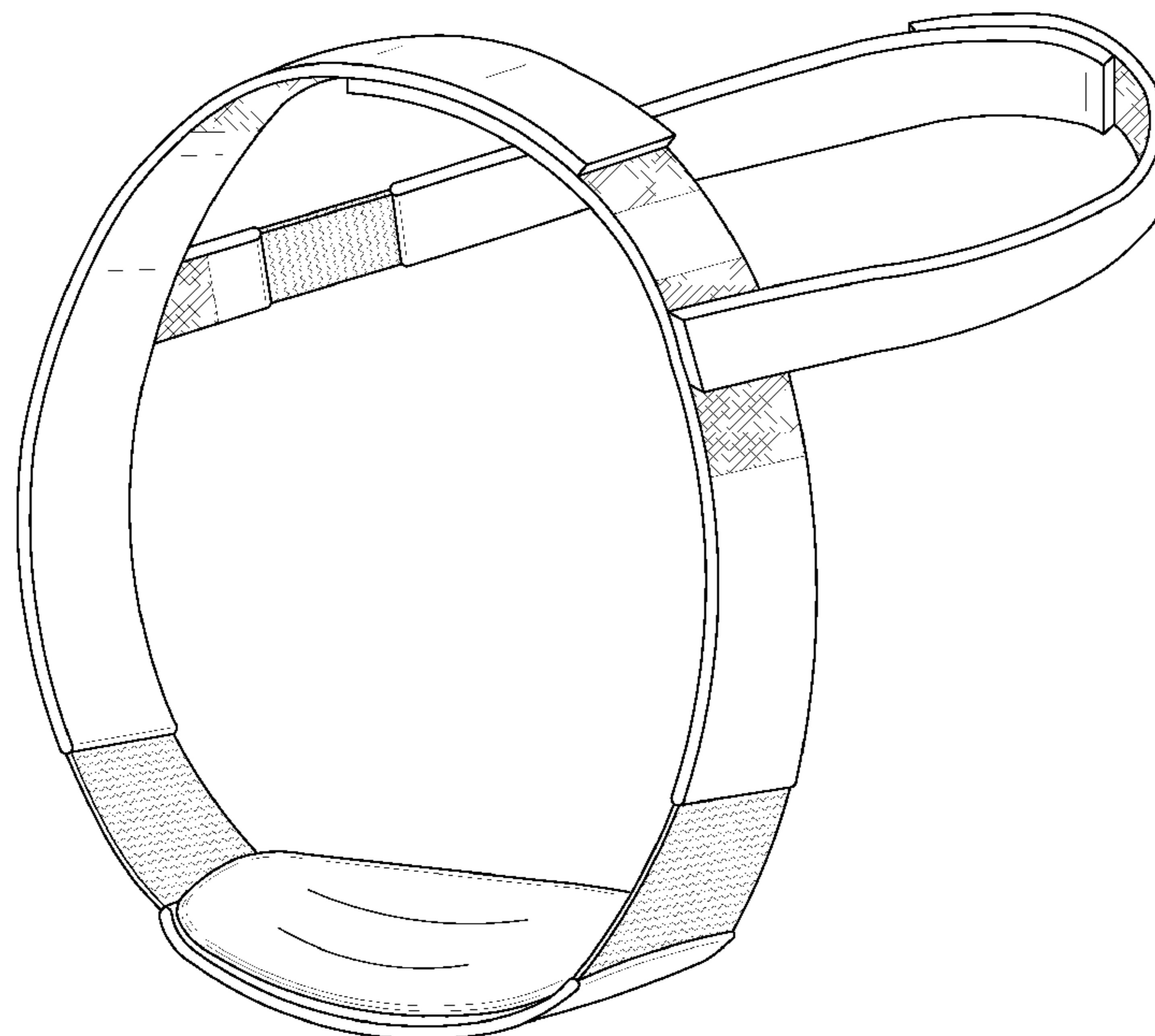
FIG. 4 is a right elevation view thereof;

FIG. 5 is a left elevation view thereof;

FIG. 6 is a top plan view thereof; and,

FIG. 7 is a bottom plan view thereof.

1 Claim, 7 Drawing Sheets



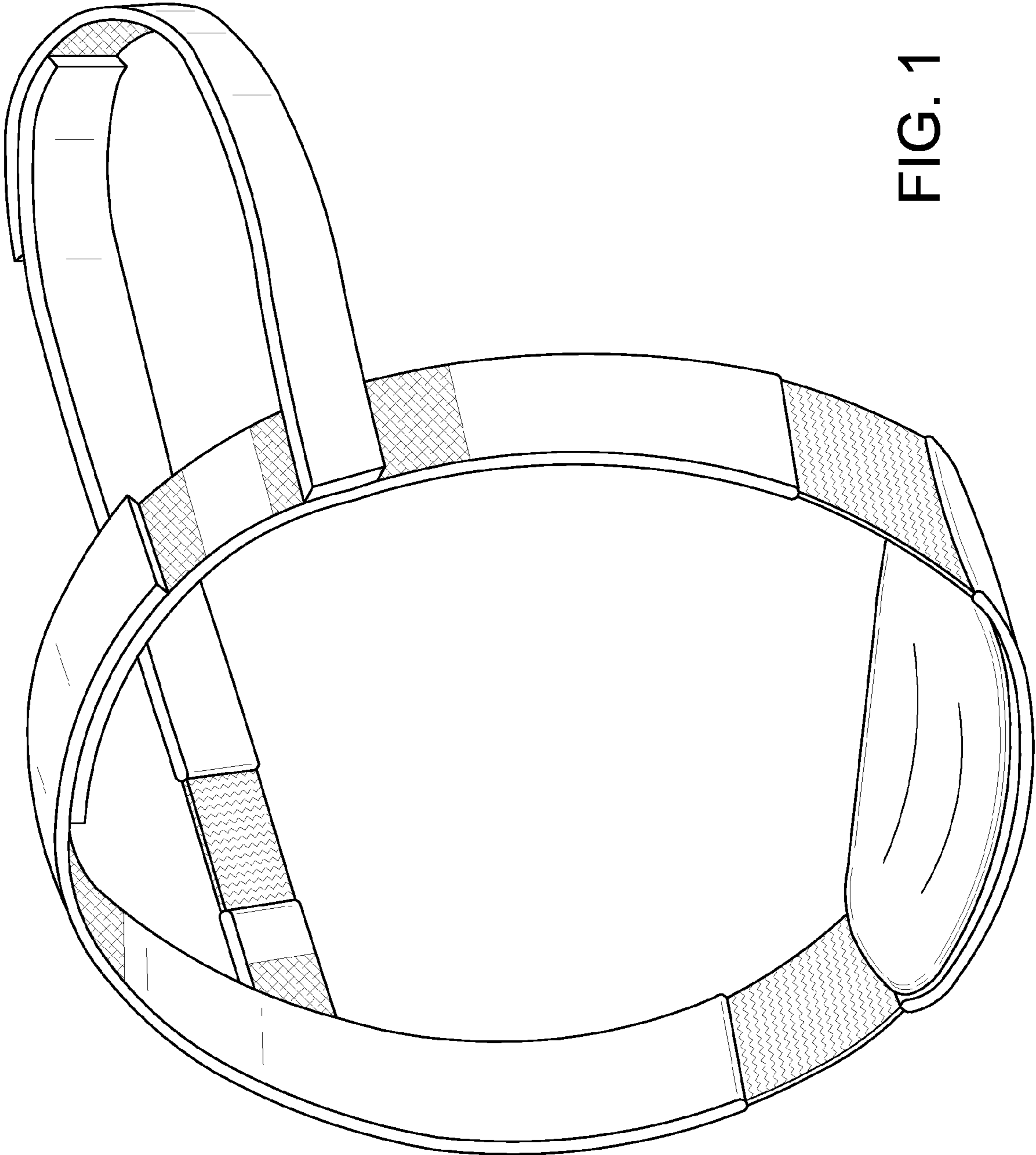


FIG. 1

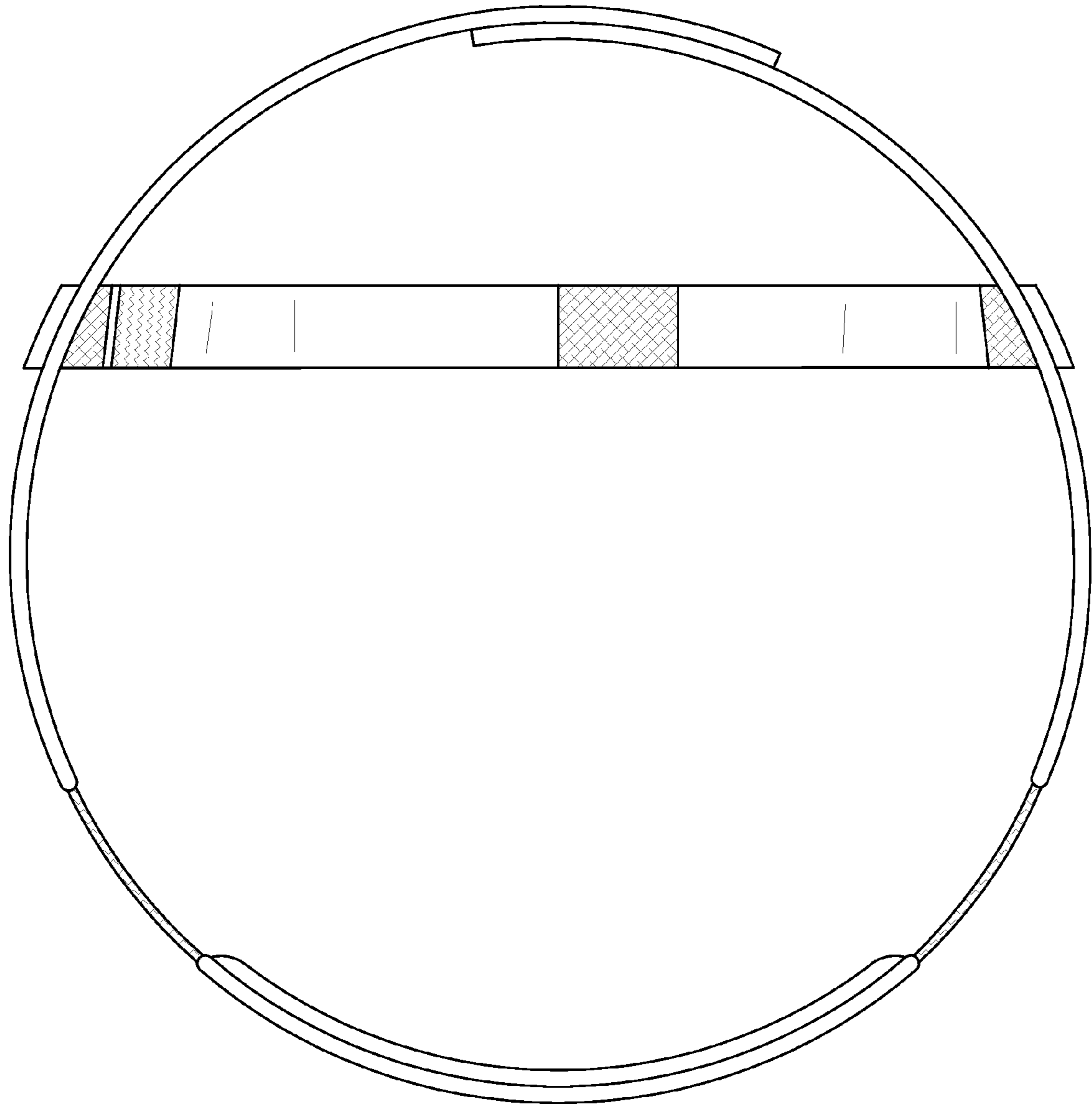


FIG. 2

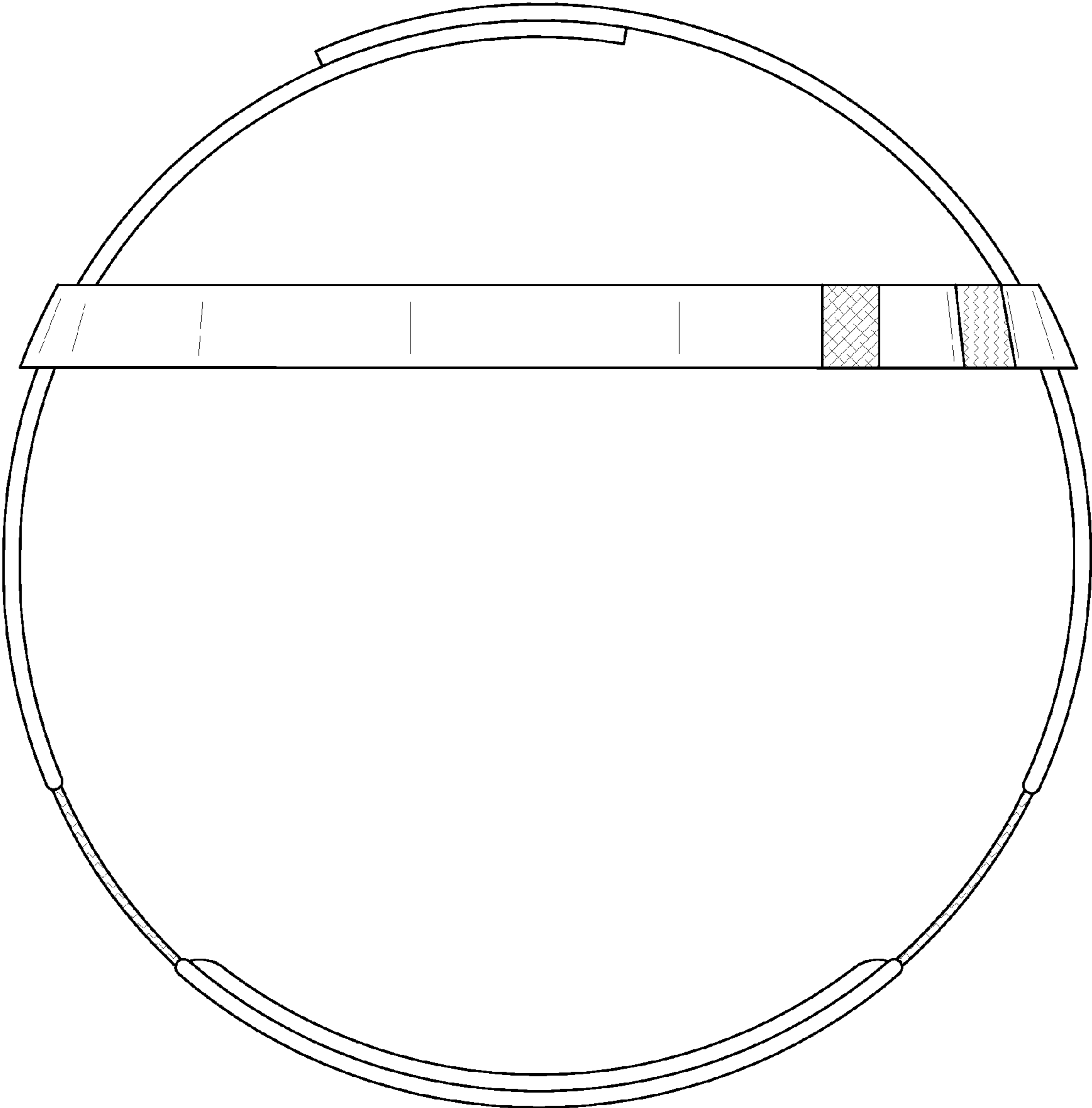


FIG. 3

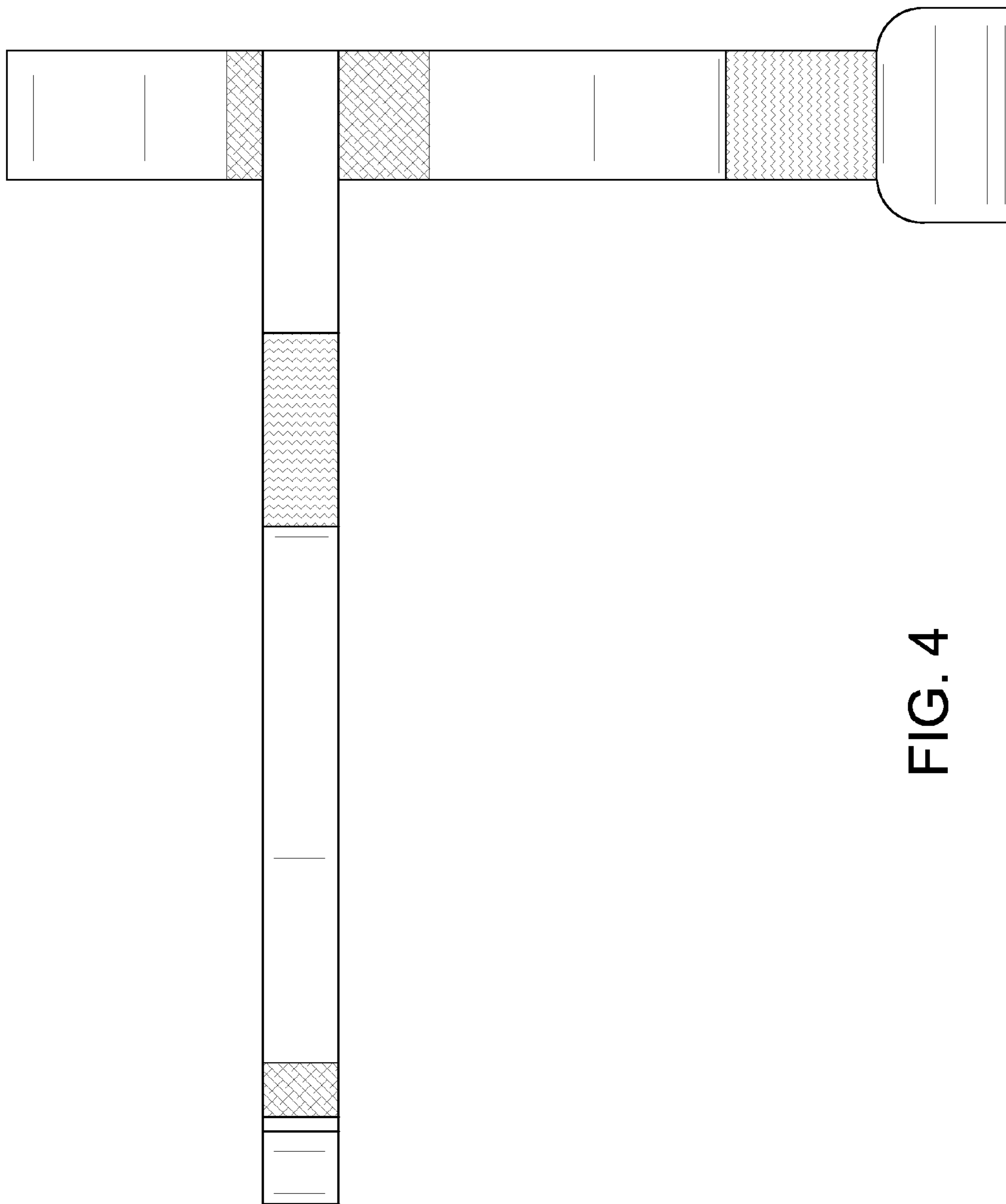


FIG. 4

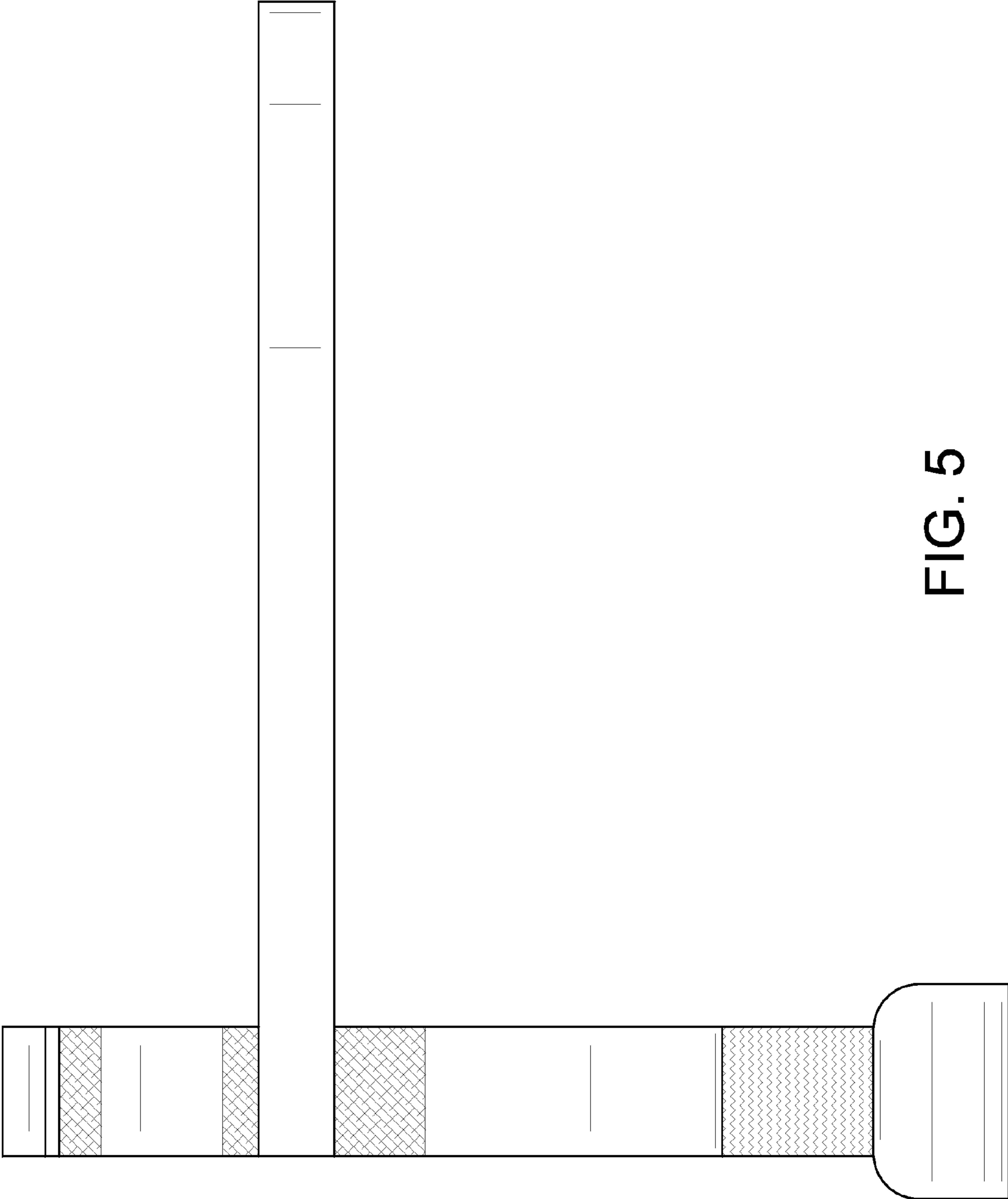


FIG. 5

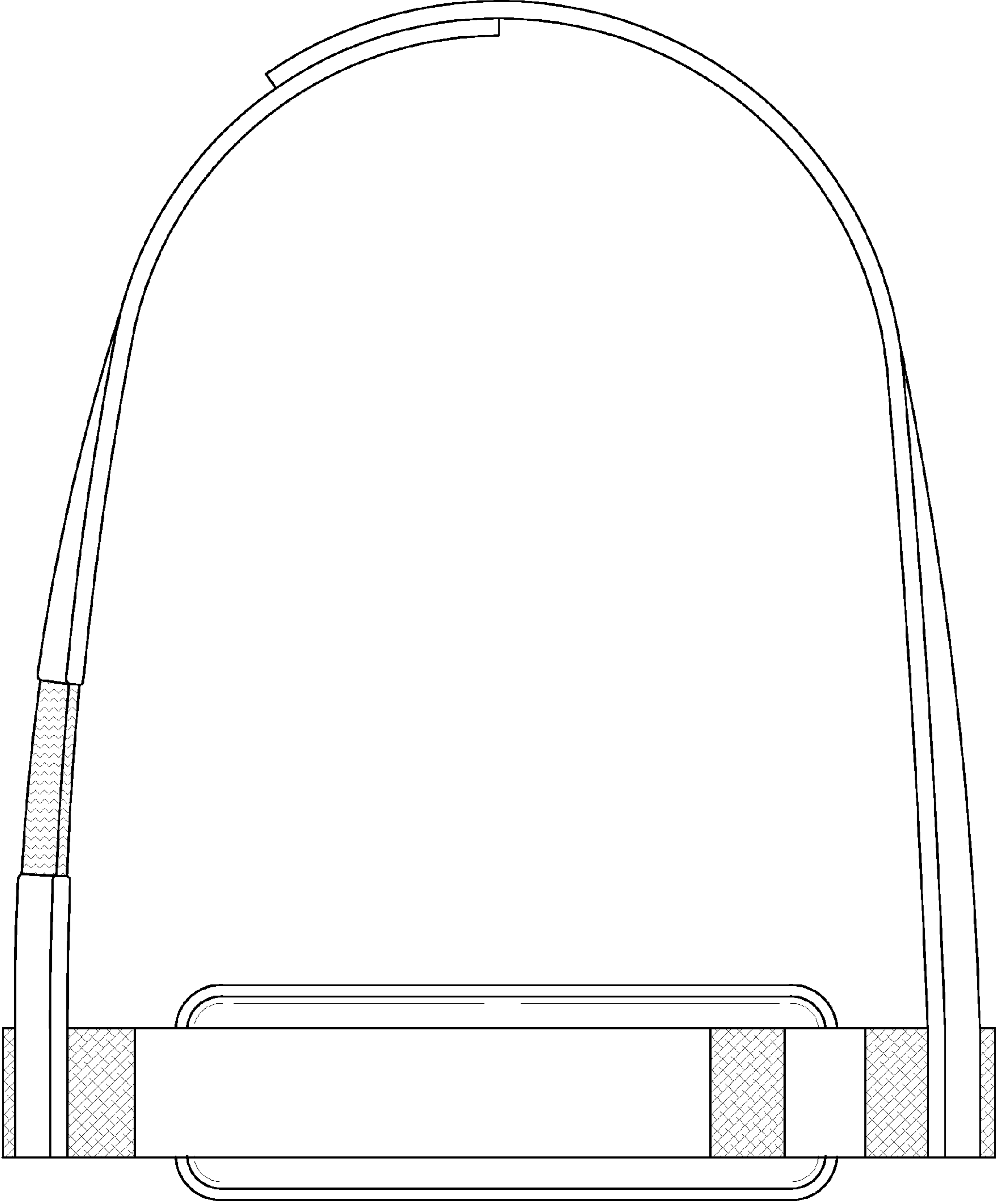


FIG. 6

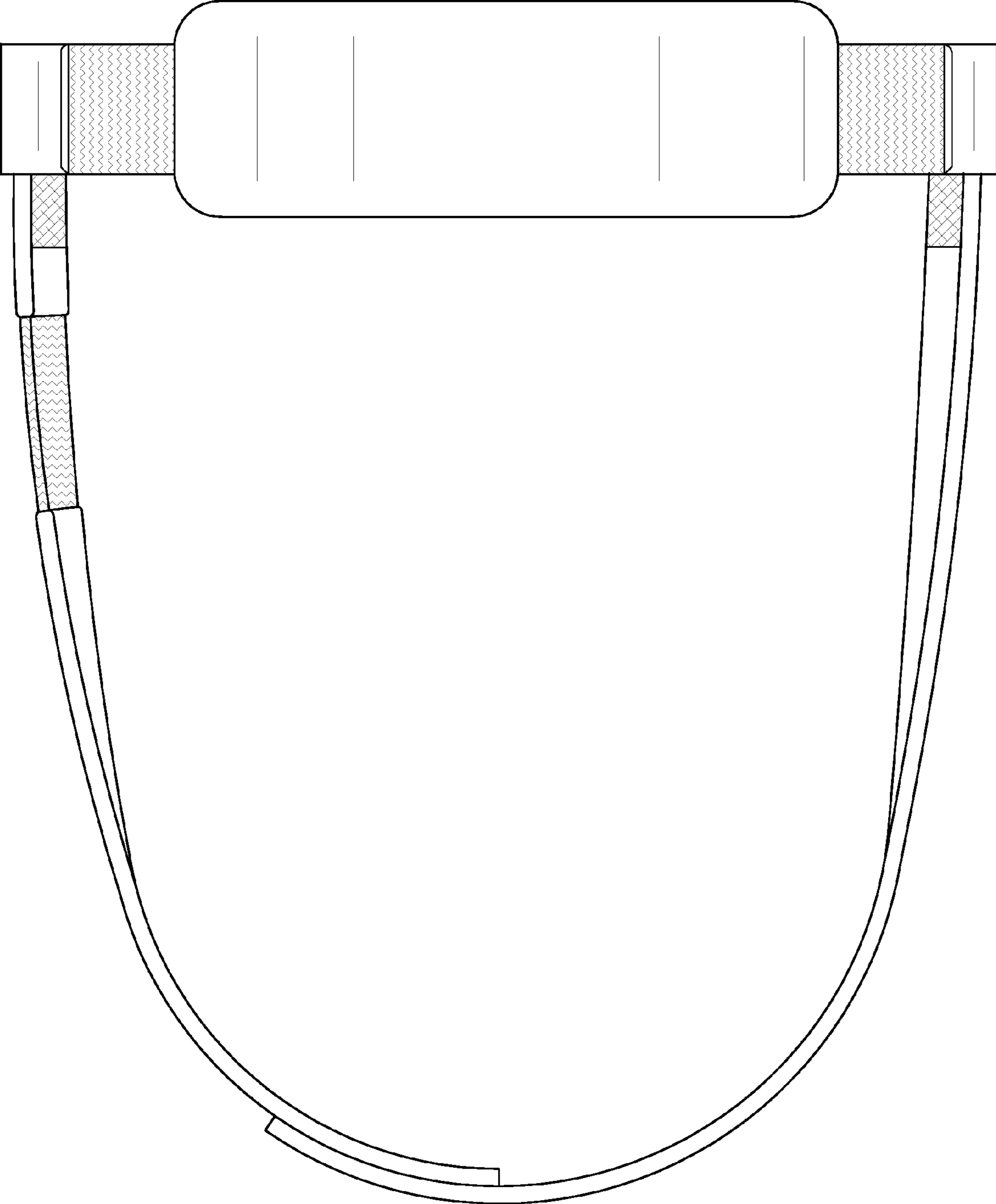


FIG. 7