



US00D617905S

(12) **United States Design Patent**  
**Moorman**

(10) **Patent No.:** **US D617,905 S**  
(45) **Date of Patent:** **\*\* Jun. 15, 2010**

(54) **HINGED MEDICAL INSTRUMENT**

(75) **Inventor:** **James P. Moorman**, Lake Forest, IL  
(US)

(73) **Assignee:** **Medline Industries Inc.**

(\*\*) **Term:** **14 Years**

(21) **Appl. No.:** **29/338,110**

(22) **Filed:** **Jun. 4, 2009**

(51) **LOC (9) Cl.** ..... **24-02**

(52) **U.S. Cl.** ..... **D24/148; D8/57; D24/143**

(58) **Field of Classification Search** ..... **D24/133,**  
**D24/143, 146-149, 153; D8/52, 56-58,**  
**D8/93; 30/120, 145, 194, 229, 232, 254,**  
**30/298; 606/1, 174, 151, 205, 208**

See application file for complete search history.

(56) **References Cited**

**U.S. PATENT DOCUMENTS**

2,597,394 A 5/1952 Snowden ..... D24/143

(Continued)

**OTHER PUBLICATIONS**

Accucare Division, Medline Industries, Inc., Accucare Plus (+) Fine  
Surgical Instruments, "Needle Holders," 6 pages, © 1977.

(Continued)

*Primary Examiner*—Ian Simmons

*Assistant Examiner*—Wan Laymon

(74) *Attorney, Agent, or Firm*—David S. Noskowicz

(57) **CLAIM**

The ornamental design for a hinged medical instrument, as shown and described.

**DESCRIPTION**

FIG. 1 is a perspective view of a first embodiment of an ornamental design of a hinged medical instrument.

FIG. 2 is a front view of the first embodiment thereof.

FIG. 3 is a rear view of the first embodiment thereof.

FIG. 4 is a first side view of the first embodiment thereof.

FIG. 5 is a second side view of the first embodiment thereof.

FIG. 6 is a top view of the first embodiment thereof.

FIG. 7 is a bottom view of the first embodiment thereof.

FIG. 8 is a perspective view a second embodiment of an ornamental design of a hinged medical instrument.

FIG. 9 is a front view of the second embodiment thereof.

FIG. 10 is a rear view of the second embodiment thereof.

FIG. 11 is a first side view of the second embodiment thereof.

FIG. 12 is a second side view of the second embodiment thereof.

FIG. 13 is a top view of the second embodiment thereof.

FIG. 14 is a bottom view of the second embodiment thereof.

FIG. 15 is a perspective view a third embodiment of an ornamental design of a hinged medical instrument.

FIG. 16 is a front view of the third embodiment thereof.

FIG. 17 is a rear view of the third embodiment thereof.

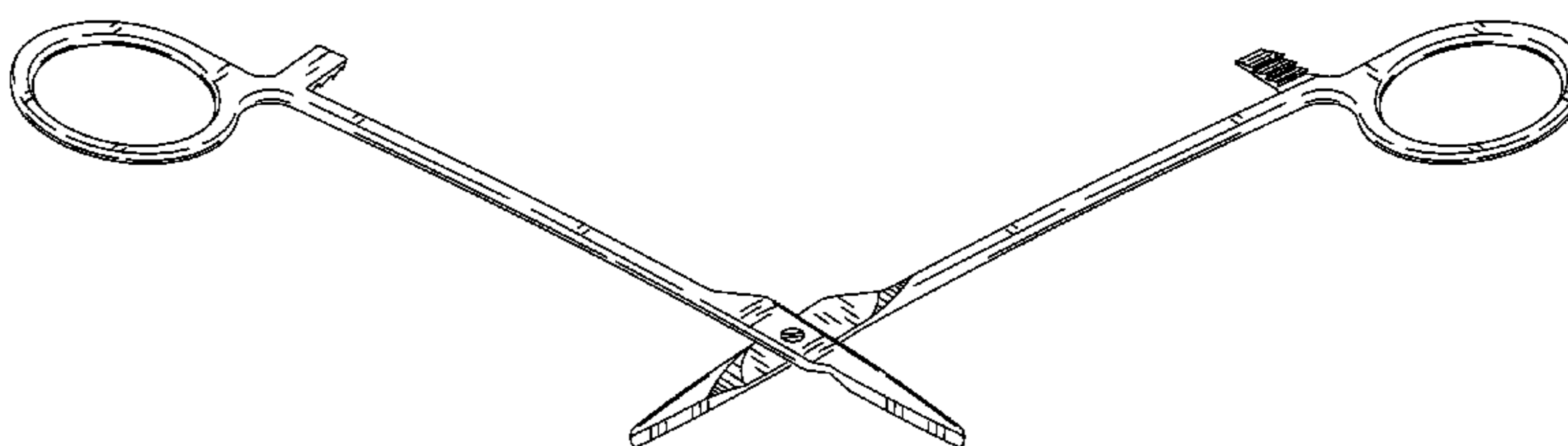
FIG. 18 is a first side view of the third embodiment thereof.

FIG. 19 is a second side view of the third embodiment thereof.

FIG. 20 is a top view of the third embodiment thereof; and,

FIG. 21 is a bottom view of the third embodiment thereof.

**1 Claim, 14 Drawing Sheets**



U.S. PATENT DOCUMENTS

2,726,657	A *	12/1955	Tabrah .....	606/208
2,795,225	A *	6/1957	Sovatkin et al. ....	D24/143
3,176,689	A *	4/1965	Yahr .....	606/208
D204,854	S *	5/1966	Cummings .....	D24/143
3,344,649	A *	10/1967	Wood .....	D24/143
3,439,523	A *	4/1969	Wood .....	D24/143
3,459,187	A	8/1969	Pallotta .....	606/208
3,503,398	A	3/1970	Raible et al. ....	606/207
3,763,726	A	10/1973	Hildebrand .....	81/416
3,952,749	A	4/1976	Fridolph et al. ....	606/208
4,026,294	A	5/1977	Mattler .....	606/120
4,803,983	A	2/1989	Siegel .....	606/174
4,821,719	A	4/1989	Fogarty .....	606/158
5,009,657	A	4/1991	Cotey et al. ....	606/120
5,514,147	A	5/1996	Hoskin et al. ....	606/151
5,624,454	A	4/1997	Palti et al. ....	606/174
6,601,304	B2 *	8/2003	Yeh .....	30/226
6,733,508	B1	5/2004	Propp et al. ....	606/120
D492,777	S	7/2004	Propp et al. ....	D24/143
D536,587	S *	2/2007	Zaremski .....	D8/57
D538,932	S	2/2007	Malik .....	D24/143
7,269,903	B2 *	9/2007	Yeh .....	30/254
D582,036	S	2/2008	Swartz .....	D24/143
7,351,248	B2	4/2008	Propp et al. ....	606/205
7,356,931	B2 *	4/2008	Lai .....	30/254
7,494,500	B2	2/2009	Propp et al. ....	606/205
2003/0181944	A1	9/2003	Propp et al. ....	606/205
2004/0106947	A1	6/2004	Propp et al. ....	606/208
2005/0145510	A1	7/2005	Propp et al. ....	206/208
2007/0112376	A1 *	5/2007	Propp .....	606/205
2007/0276431	A1 *	11/2007	Swartz et al. ....	606/208

OTHER PUBLICATIONS

Aesculap® Neurosurgery, B Braun Cat. No. C20111, General Instruments, "DUROGRIP® Needle Holders," 4 pages, Edition Jan. 2000.

Baxter Healthcare Corporation, Operating Room Division, V. Mueller Surgical Armamentarium, "Vital® Special Use Needle Holders," 4 pages, © 1988.

Baxter Healthcare Corporation, Operating Room Division, V. Mueller Surgical Armamentarium, "Needle Holders," 4 pages, © 1988.

Baxter Healthcare Corporation, Operating Room Division, V. Mueller Surgical Armamentarium, "Wire Twister Forceps, Needle Holders, Mucosa Separator Plate, Caliper," 4 pages, © 1988.

Baxter Healthcare Corporation, Operating Room Division, V. Mueller Surgical Armamentarium, "Needle Holders, Lead Plate," 4 pages, © 1988.

Fine Surgical Instruments, Inc., Crown Surgical Instruments, "Needle Holders—Standard Jaws," 4 pages, © 1997.

Fine Surgical Instruments, Inc., Crown Surgical Instruments, "Needle Holders—Standard Jaws," 4 pages, © 1997.

Fine Surgical Instruments, Inc., Crown Surgical Instruments, "Tungsten Carbide Needle Holders," 4 pages, © 1997.

Fine Surgical Instruments, Inc., Crown Surgical Instruments, "Tungsten Carbide Needle Holders—Tungsten Carbide Inlays," 4 pages, © 1997.

Medline Industries, Inc., König Finest Quality Surgical Instruments General and Specialty, "Suture Needle Holders," 4 pages.

Medline Industries, Inc., König Finest Quality Surgical Instruments General and Specialty, "Suture Needle Holders," 4 pages.

Medline Surgical Instruments Catalog, "Needle Holders," 4 pages.

Miltex Inc., Miltex Dental Instruments, "Needle Holders," 3 pages, © 1989.

Miltex Inc., Miltex Dental Instruments, "Needle Holders," 3 pages, © 1989.

Miltex Inc., Miltex Dental Instruments, "Surgical Ceram-A-Grip Needle Holders," 3 pages, © 2001.

Sklar Instruments and Surgical Products, Disposable and Central Supply Products, "Forceps, SurgiOR," 3 pages, © 1999.

Medline Industries, Inc., Sterile E\*Kits™ (Efficiency Kits), Disposable Instruments, "Forceps, Needle Holders and Instruments," 3 pages, ©2004.

\* cited by examiner



FIG. 1

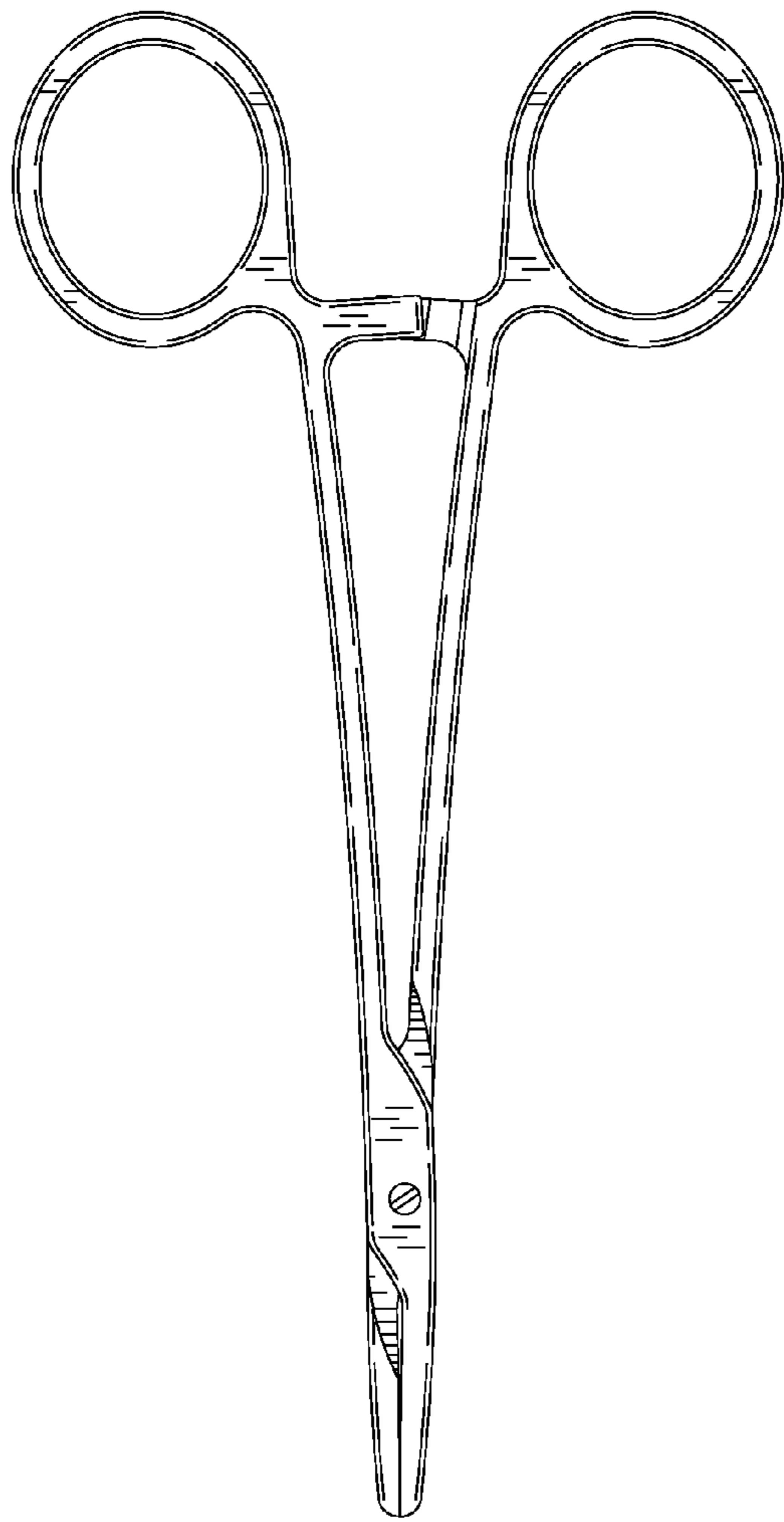


FIG. 2

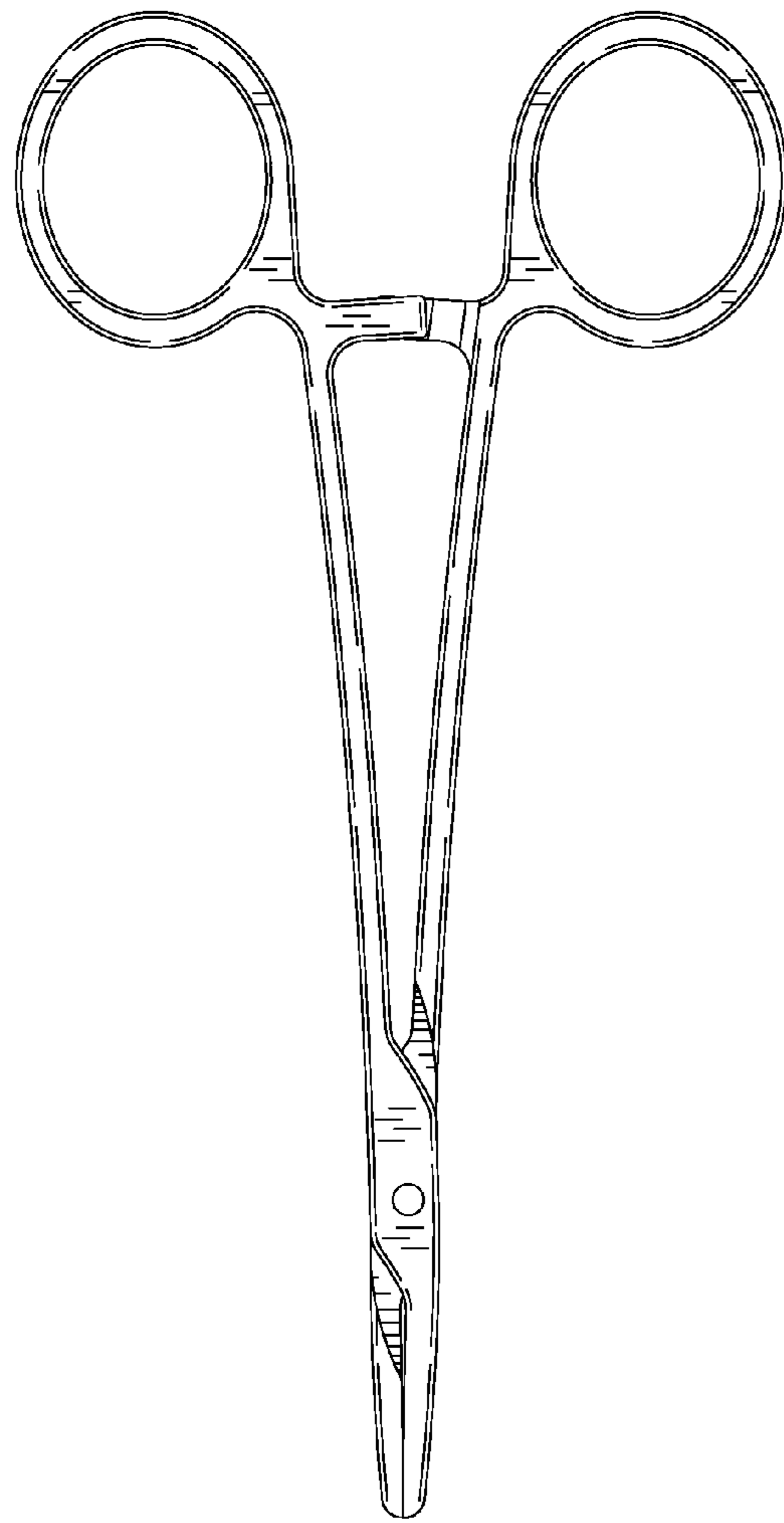


FIG. 3





FIG. 4



FIG. 5



FIG. 6



FIG. 7

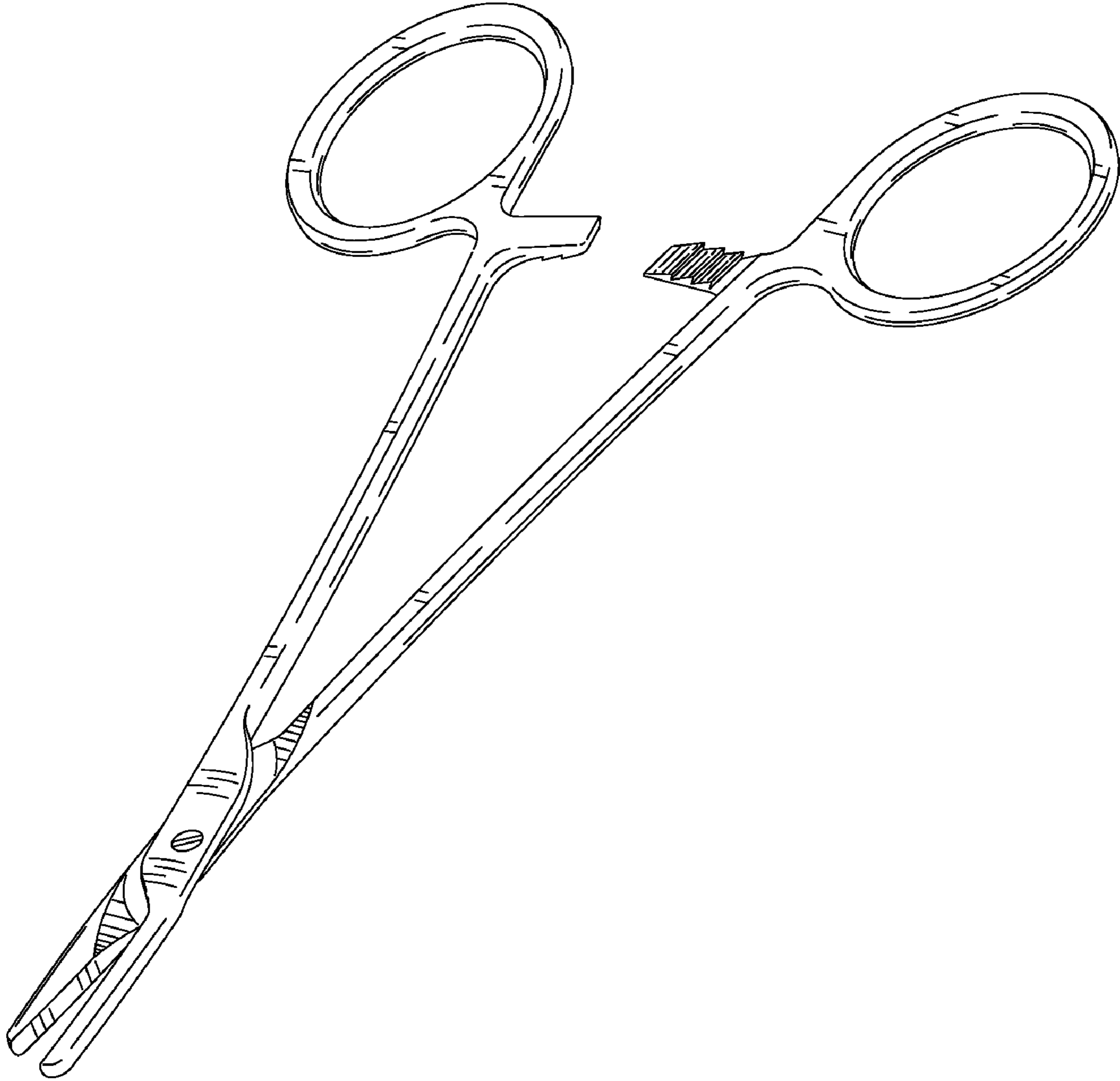


FIG. 8

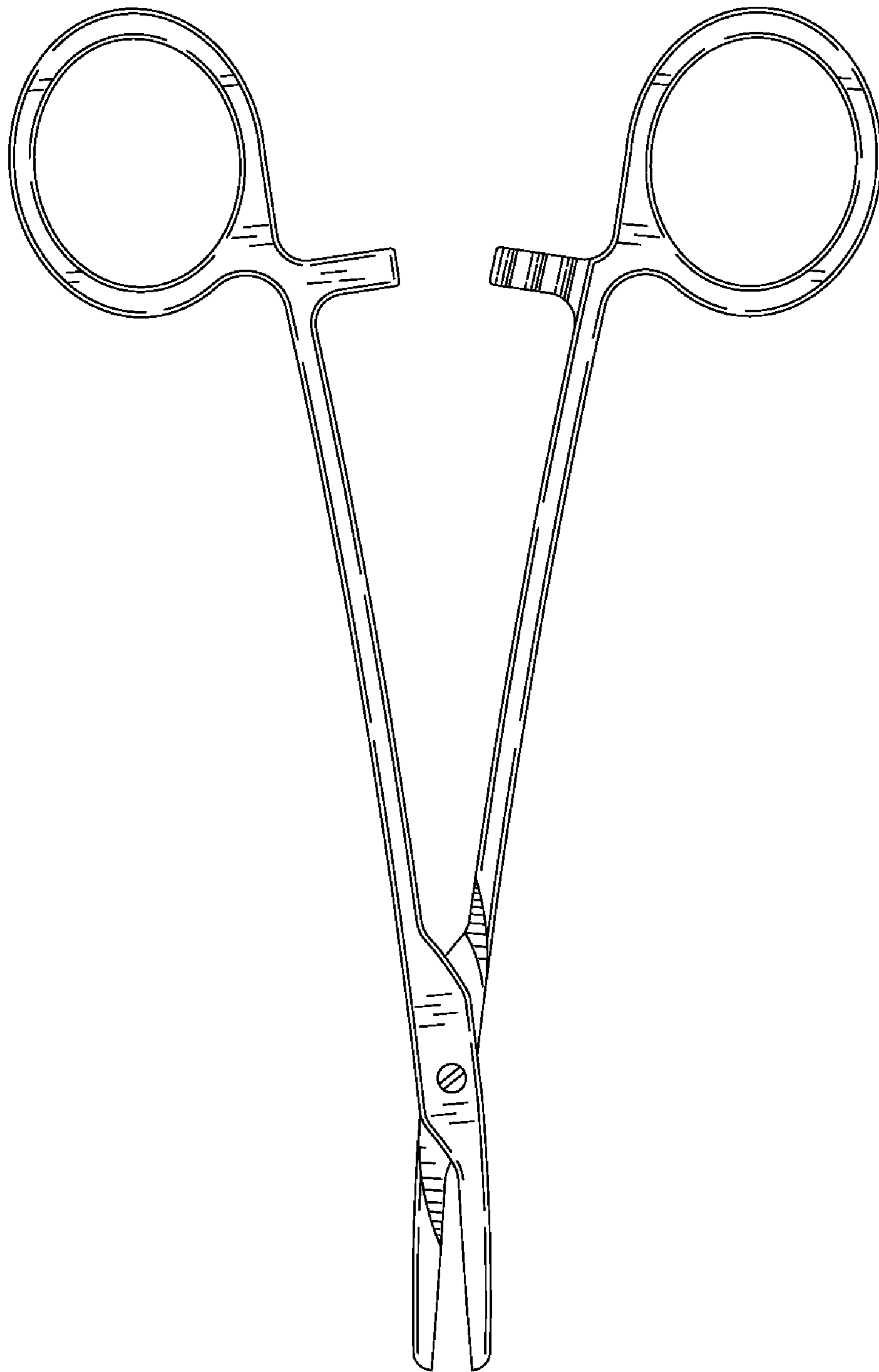


FIG. 9



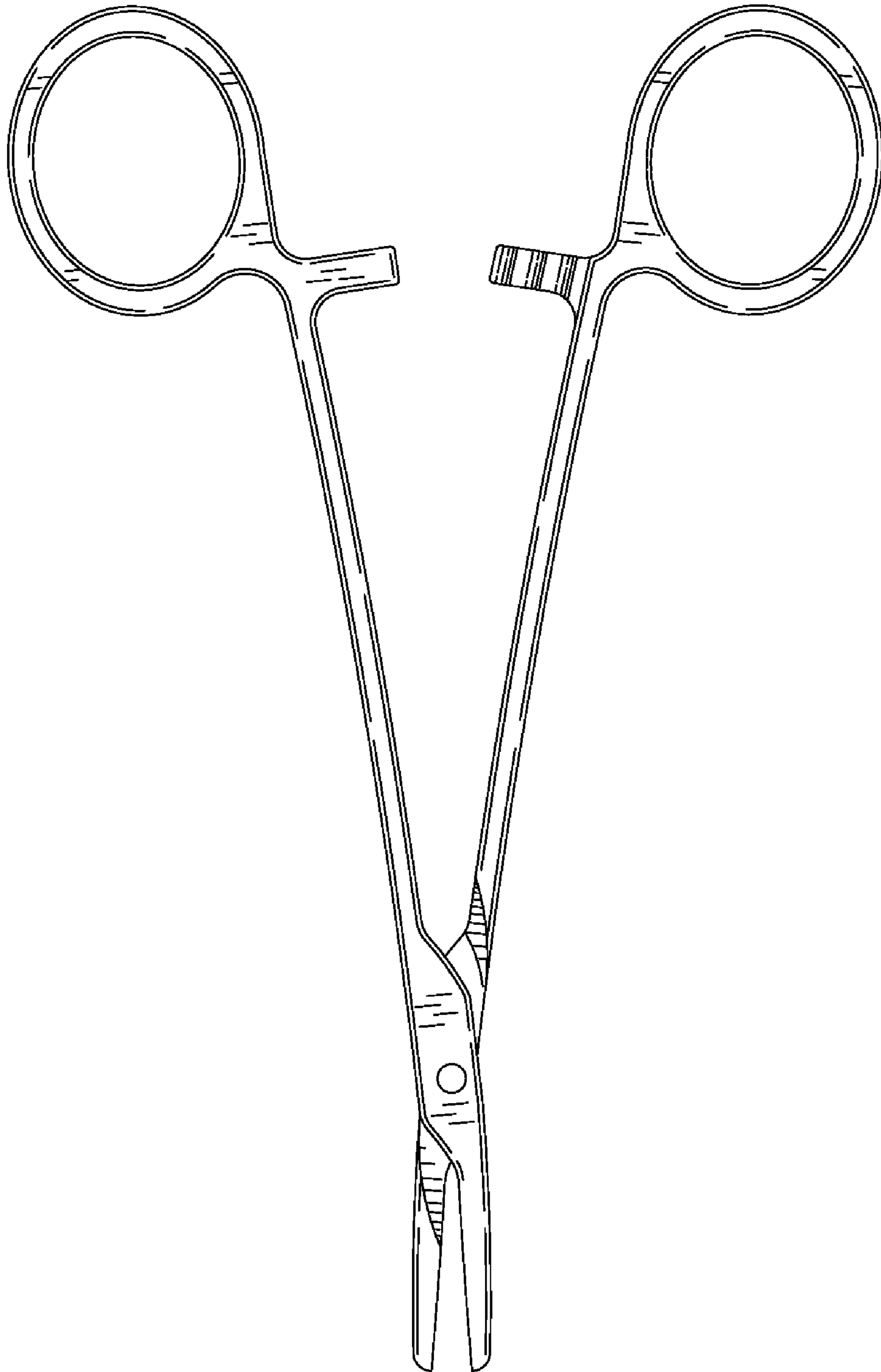


FIG. 10



FIG. 11

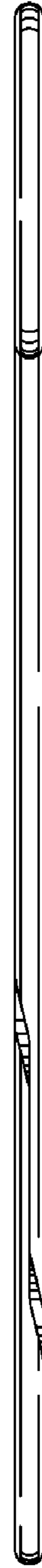


FIG. 12



FIG. 13



FIG. 14

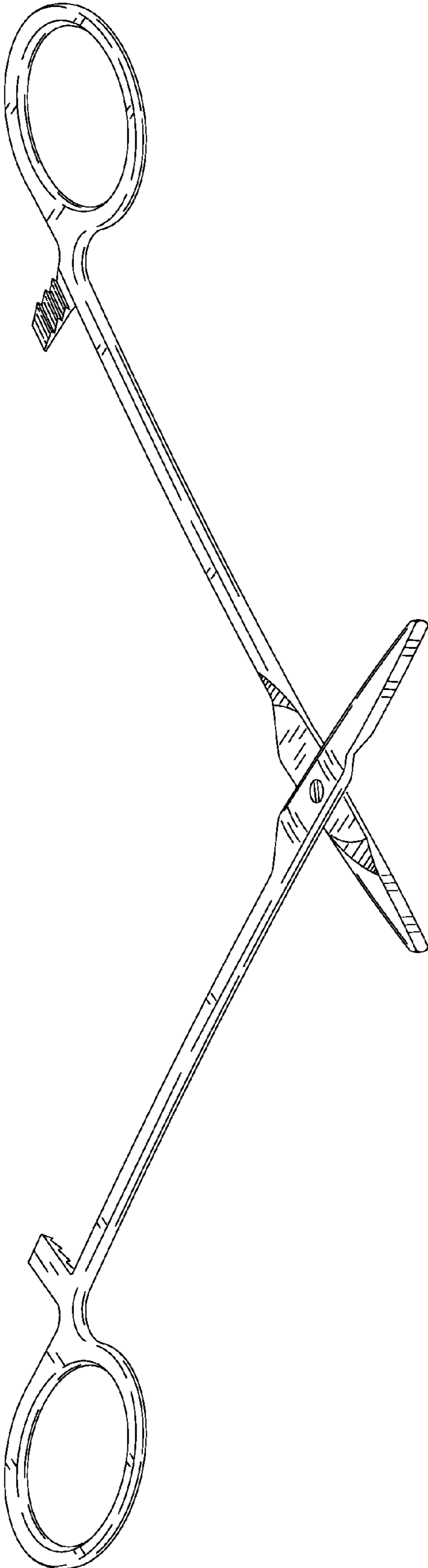


FIG. 15

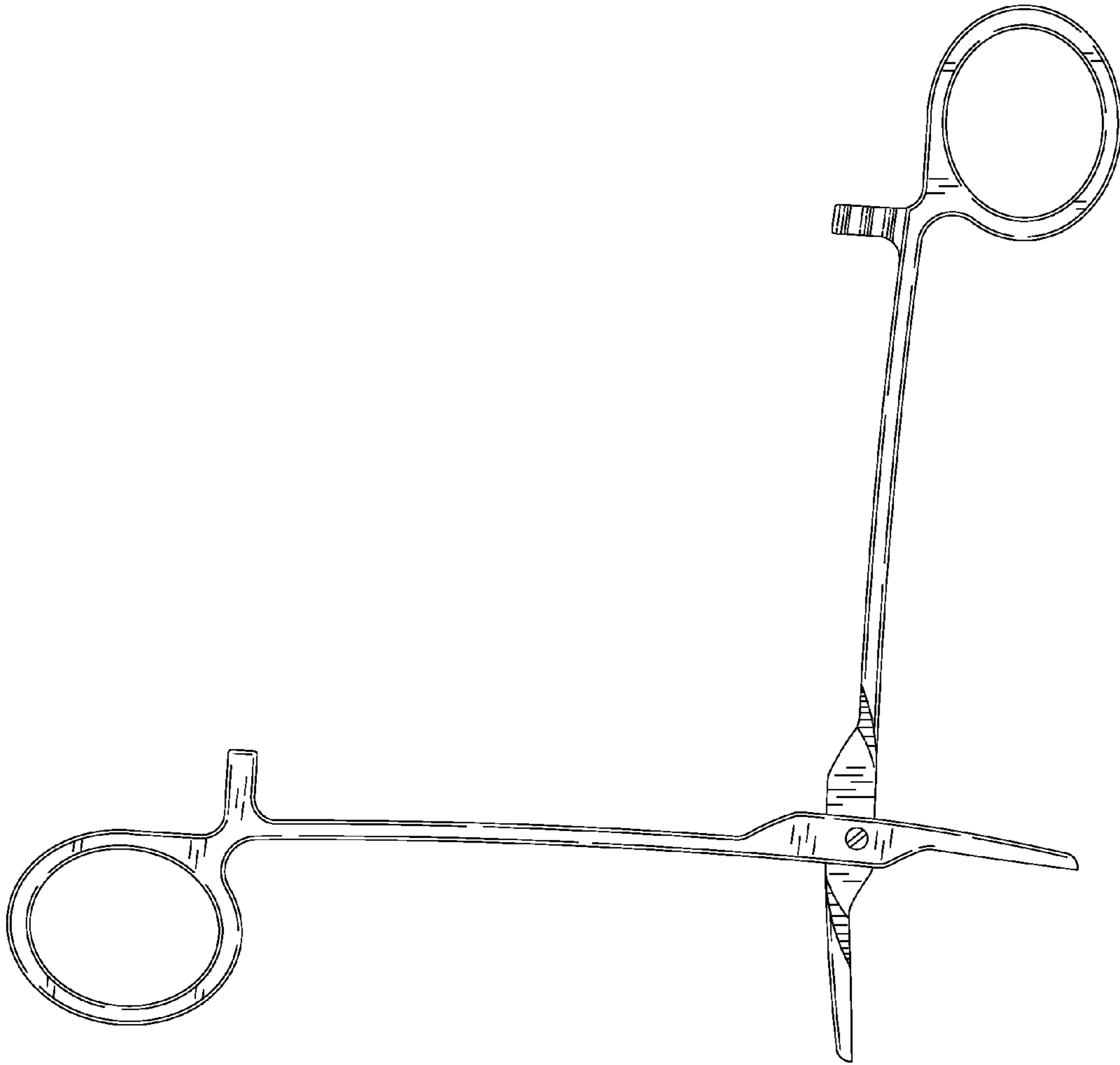


FIG. 16

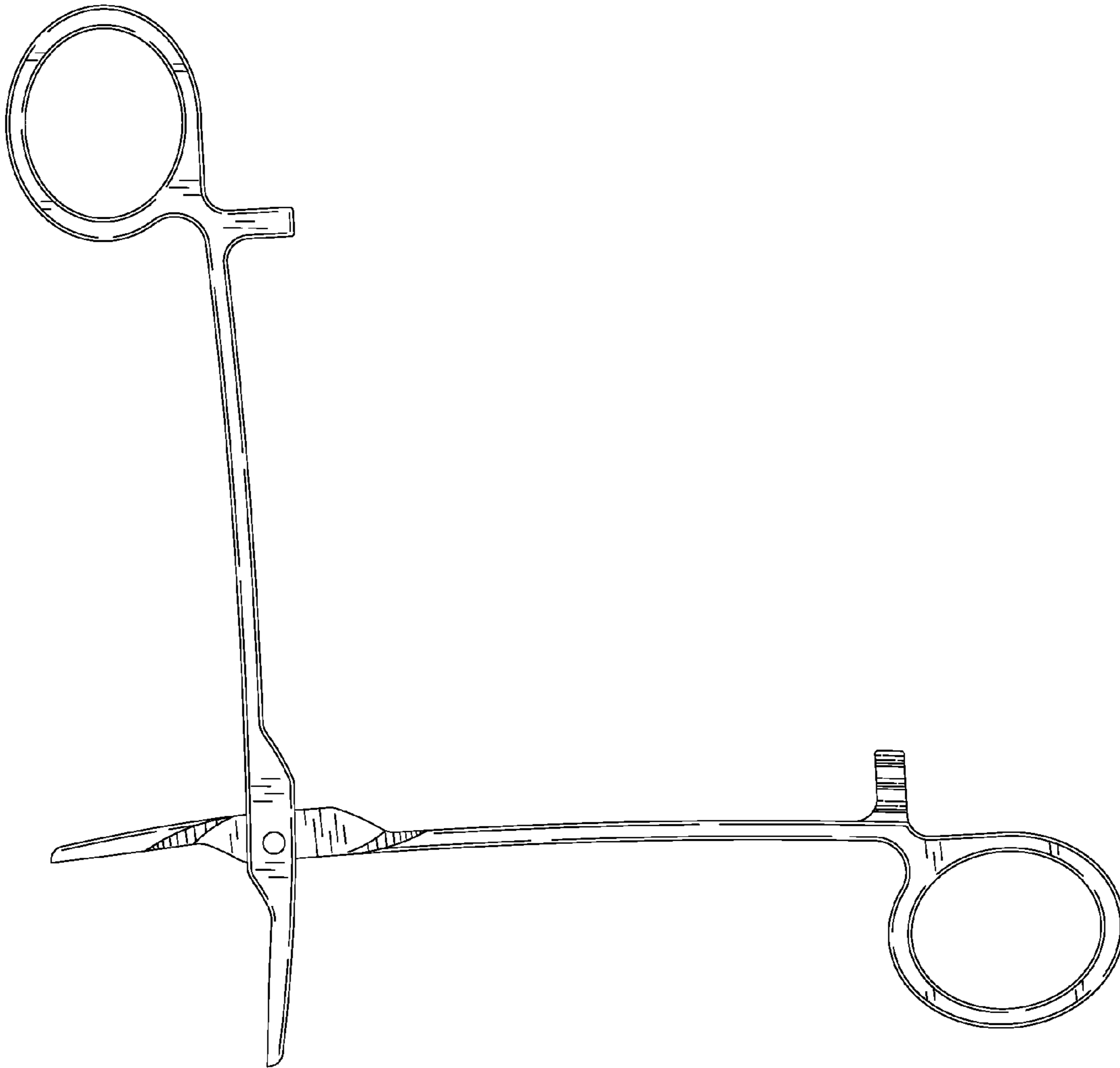


FIG. 17





FIG. 18



FIG. 19

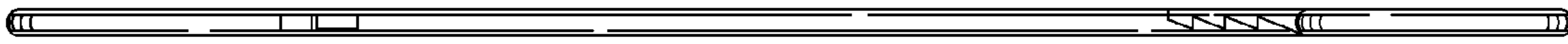


FIG. 20

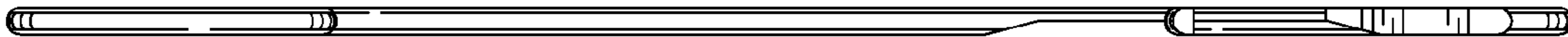


FIG. 21