



US00D617899S

(12) **United States Design Patent**
Koh et al.

(10) **Patent No.:** **US D617,899 S**
(45) **Date of Patent:** **** *Jun. 15, 2010**

(54) **HANDLE FOR MEDICAL INSTRUMENT**

(75) Inventors: **Charles H. Koh**, Milwaukee, WI (US);
Uwe Renger, Hilzingen (DE); **Jochen Stefan**, Wald (DE)

(73) Assignee: **Karl Storz GmbH & Co. KG** (DE)

(*) Notice: This patent is subject to a terminal disclaimer.

(**) Term: **14 Years**

(21) Appl. No.: **29/329,913**

(22) Filed: **Dec. 23, 2008**

(30) **Foreign Application Priority Data**

Jun. 23, 2008 (EM) 000956883

(51) **LOC (9) Cl.** **24-02**

(52) **U.S. Cl.** **D24/133; D24/143; D24/146;**
D24/147

(58) **Field of Classification Search** D24/133,
D24/146, 147, 143; 606/51, 52, 184, 205,
606/208, 210

See application file for complete search history.

(56) **References Cited**

U.S. PATENT DOCUMENTS

5,020,519	A *	6/1991	Hayes et al.	606/237
5,147,357	A *	9/1992	Rose et al.	606/49
5,282,800	A *	2/1994	Foshee et al.	606/52
D350,606	S *	9/1994	Koros et al.	D24/143
5,359,993	A *	11/1994	Slater et al.	600/133
5,603,723	A *	2/1997	Aranyi et al.	606/205
5,704,925	A *	1/1998	Otten et al.	604/272
5,728,107	A *	3/1998	Zlock et al.	606/139
6,436,122	B1 *	8/2002	Frank et al.	606/208
6,440,144	B1 *	8/2002	Bacher	606/142
D465,281	S *	11/2002	Lang	D24/147
6,540,737	B2 *	4/2003	Bacher et al.	606/1
D537,162	S *	2/2007	Bacher et al.	D24/133

D541,416	S *	4/2007	Baehr et al.	D24/133
D562,450	S *	2/2008	Wehrstein et al.	D24/133
D571,914	S *	6/2008	Bacher	D24/143
D575,401	S *	8/2008	Hixson et al.	D24/144
D578,645	S *	10/2008	Shumer et al.	D24/133
D583,472	S *	12/2008	Koh	D24/143
D583,941	S *	12/2008	Leroy	D24/135
D594,982	S *	6/2009	Stefan	D24/133
D598,101	S *	8/2009	Keckstein et al.	D24/143
D604,844	S *	11/2009	Summerer et al.	D24/133
2001/0027312	A1 *	10/2001	Bacher et al.	606/1
2001/0041911	A1 *	11/2001	Dittrich et al.	606/205
2005/0107824	A1 *	5/2005	Hillstead et al.	606/205
2005/0119692	A1 *	6/2005	Szabo	606/205
2005/0131396	A1 *	6/2005	Stanczak et al.	606/1

(Continued)

Primary Examiner—Ian Simmons

Assistant Examiner—Mark A Goodwin

(74) *Attorney, Agent, or Firm*—St. Onge Steward Johnston & Reens LLC

(57) **CLAIM**

The ornamental design for a handle for medical instrument, as shown and described.

DESCRIPTION

FIG. 1 is a top front left side isometric view of a handle for medical instrument showing our new design;

FIG. 2 is a left side view thereof;

FIG. 3 is a right side view thereof;

FIG. 4 is a top view thereof;

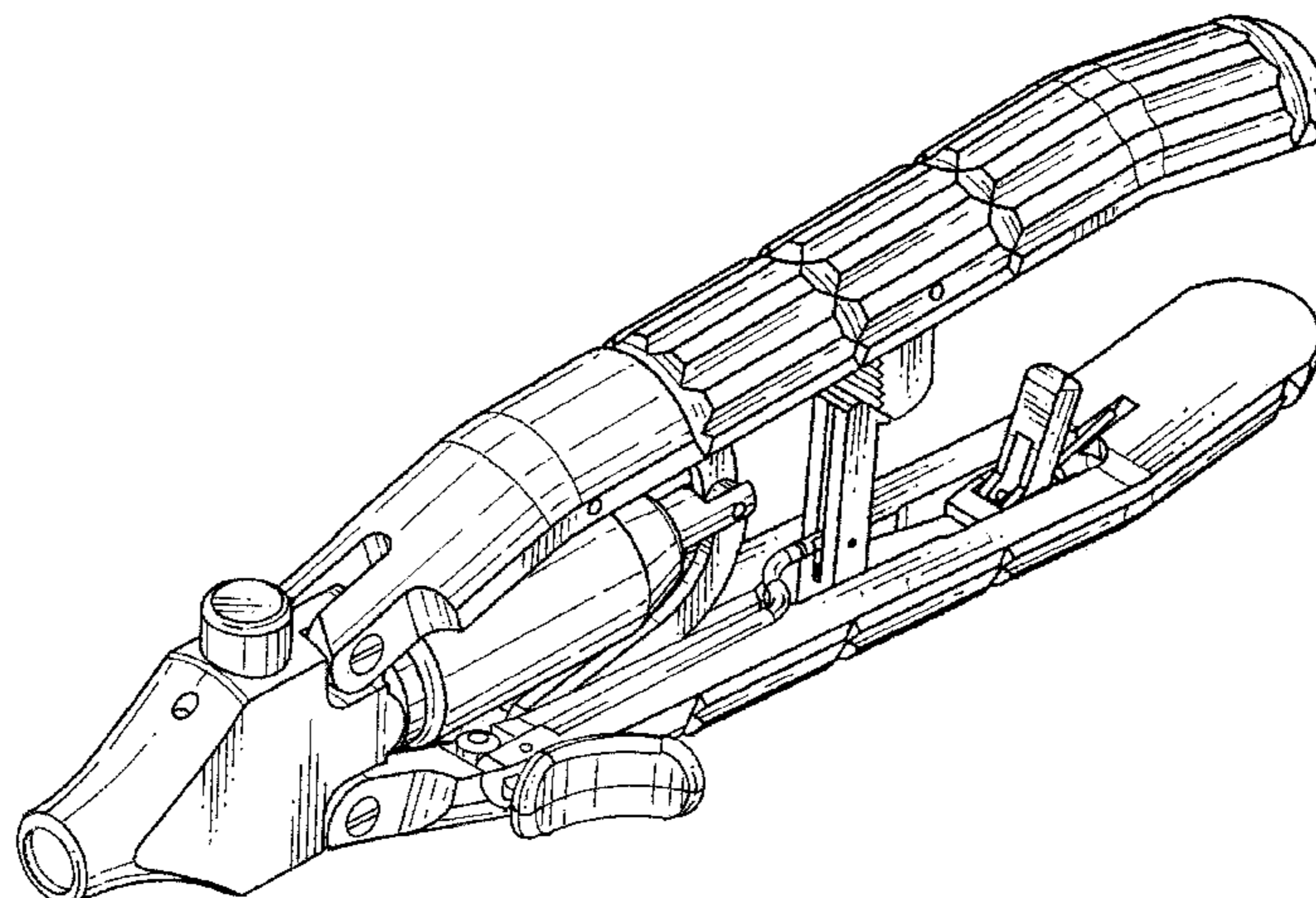
FIG. 5 is a bottom view thereof;

FIG. 6 is a front view thereof; and,

FIG. 7 is a rear view thereof.

The broken line showing of the circular elements in FIG. 6 is included for the purpose of illustrating portions of the handle for medical instrument and forms no part of the claimed design.

1 Claim, 6 Drawing Sheets



US D617,899 S

Page 2

U.S. PATENT DOCUMENTS

2006/0095074	A1*	5/2006	Lee et al.	606/205	2008/0294191	A1*	11/2008	Lee	606/205
2006/0206144	A1*	9/2006	Miersch	606/205	2009/0076506	A1*	3/2009	Baker	606/51
2007/0016248	A1*	1/2007	Cuschieri et al.	606/205	2009/0082795	A1*	3/2009	Blocher et al.	606/167
2007/0179524	A1*	8/2007	Weber et al.	606/205	2009/0157125	A1*	6/2009	Hoffman et al.	606/86 A
2008/0046002	A1*	2/2008	Renger et al.	606/205	2009/0248053	A1*	10/2009	Bacher et al.	606/170

* cited by examiner

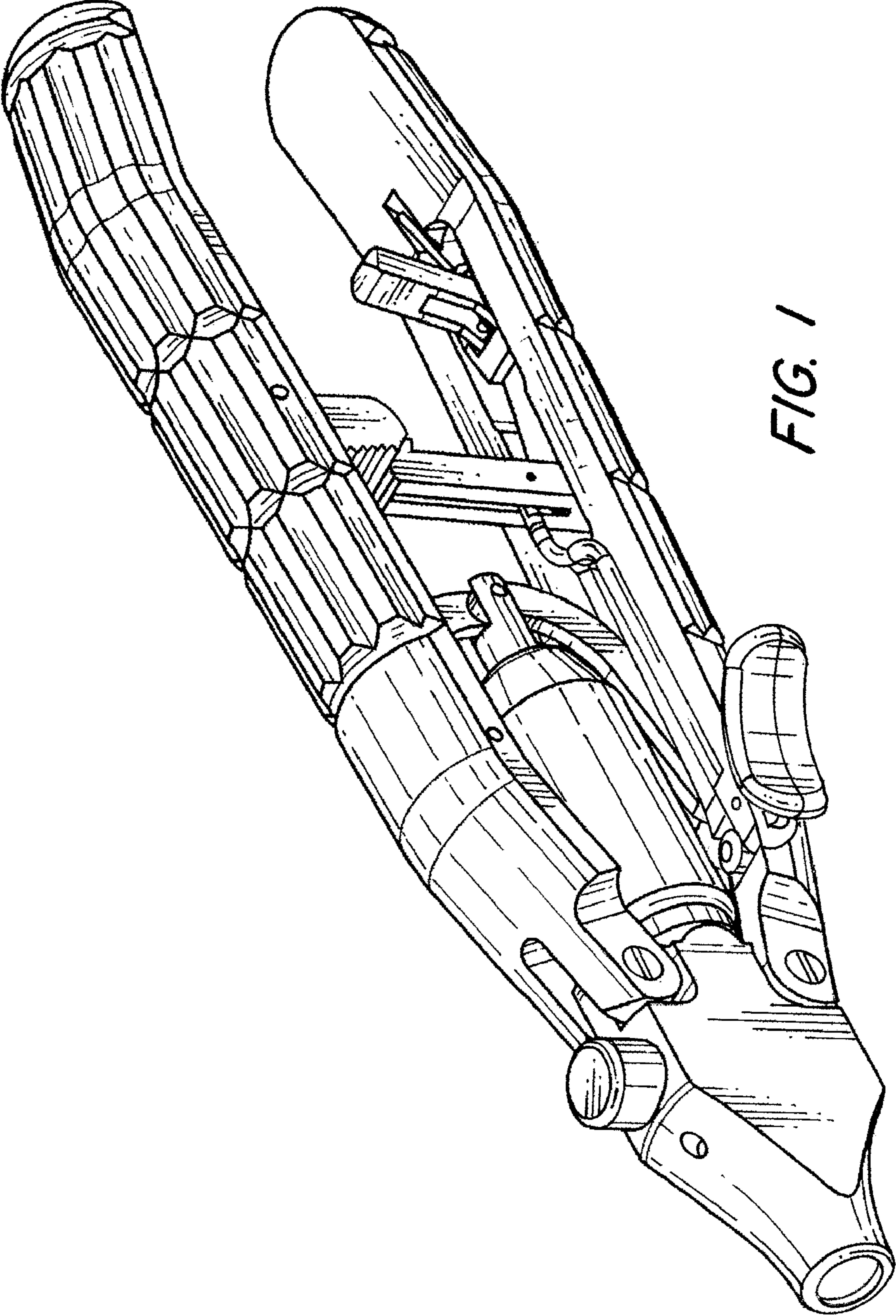


FIG. 1

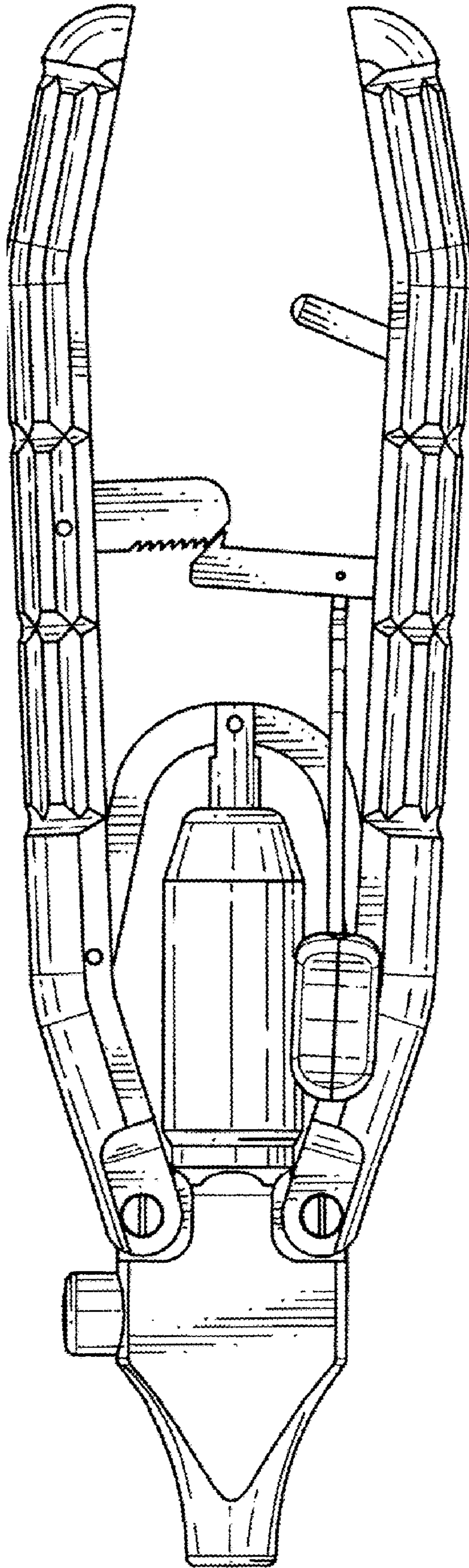


FIG. 2

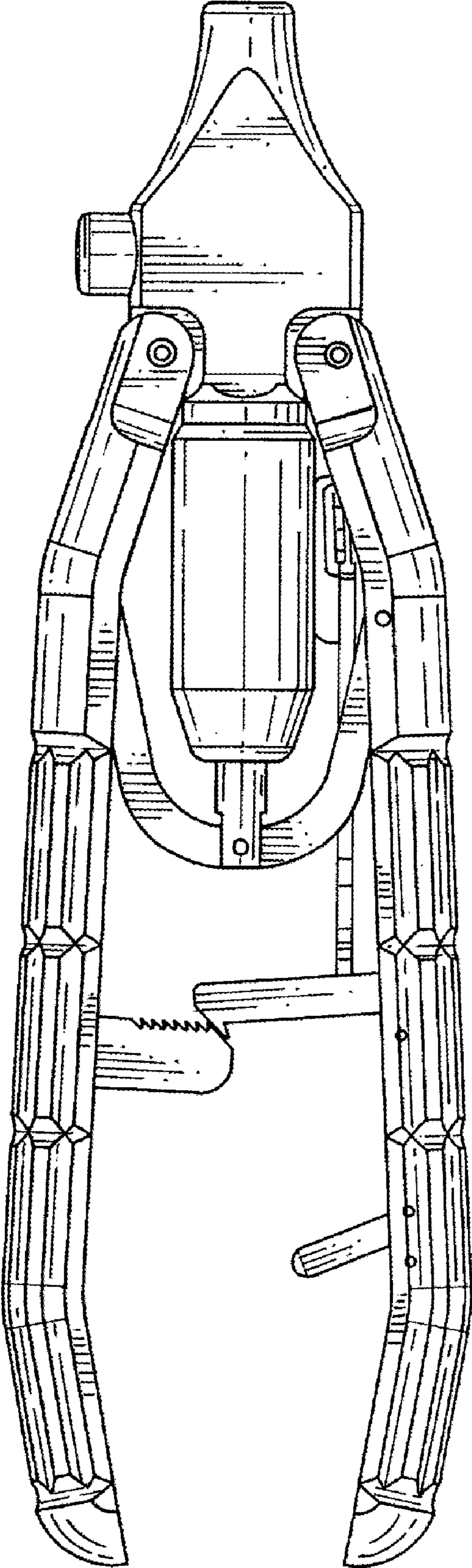


FIG. 3

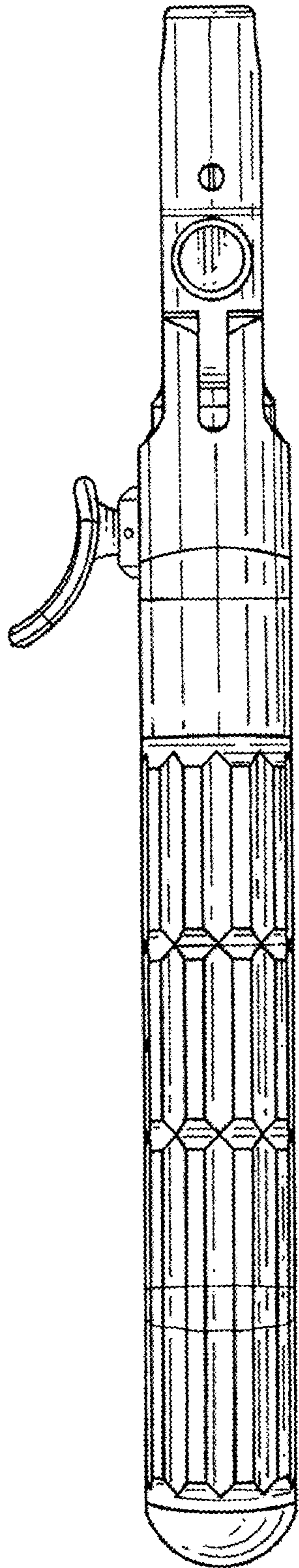


FIG. 4

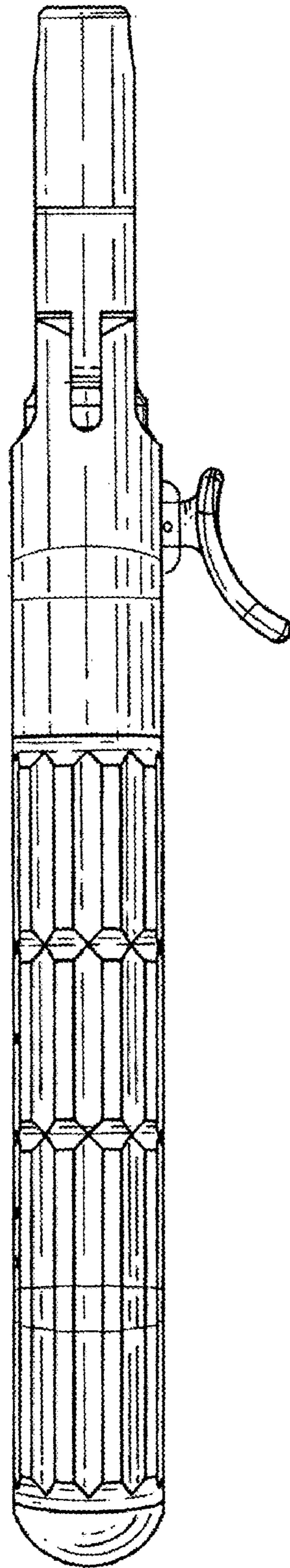


FIG. 5

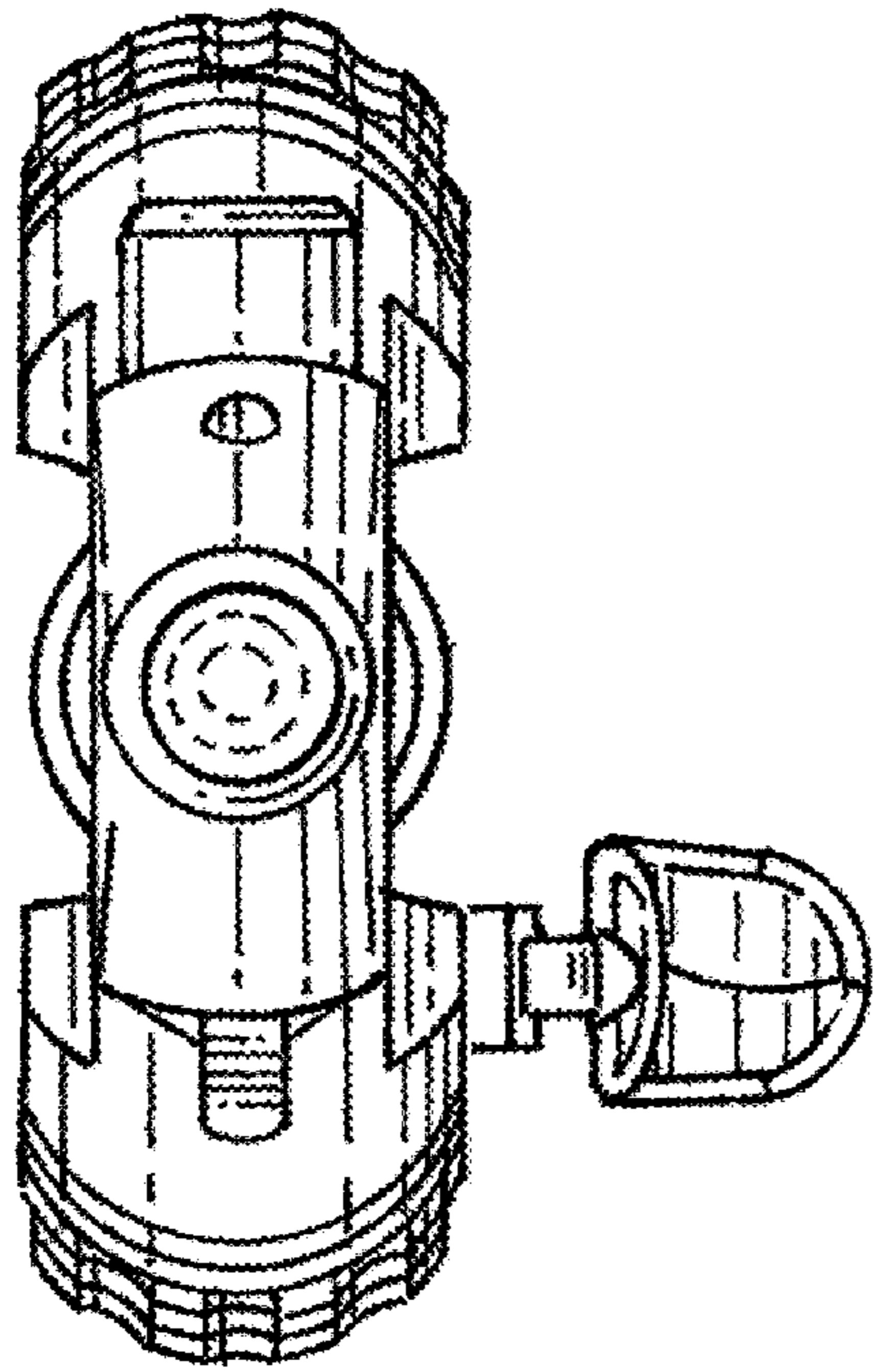


FIG. 6

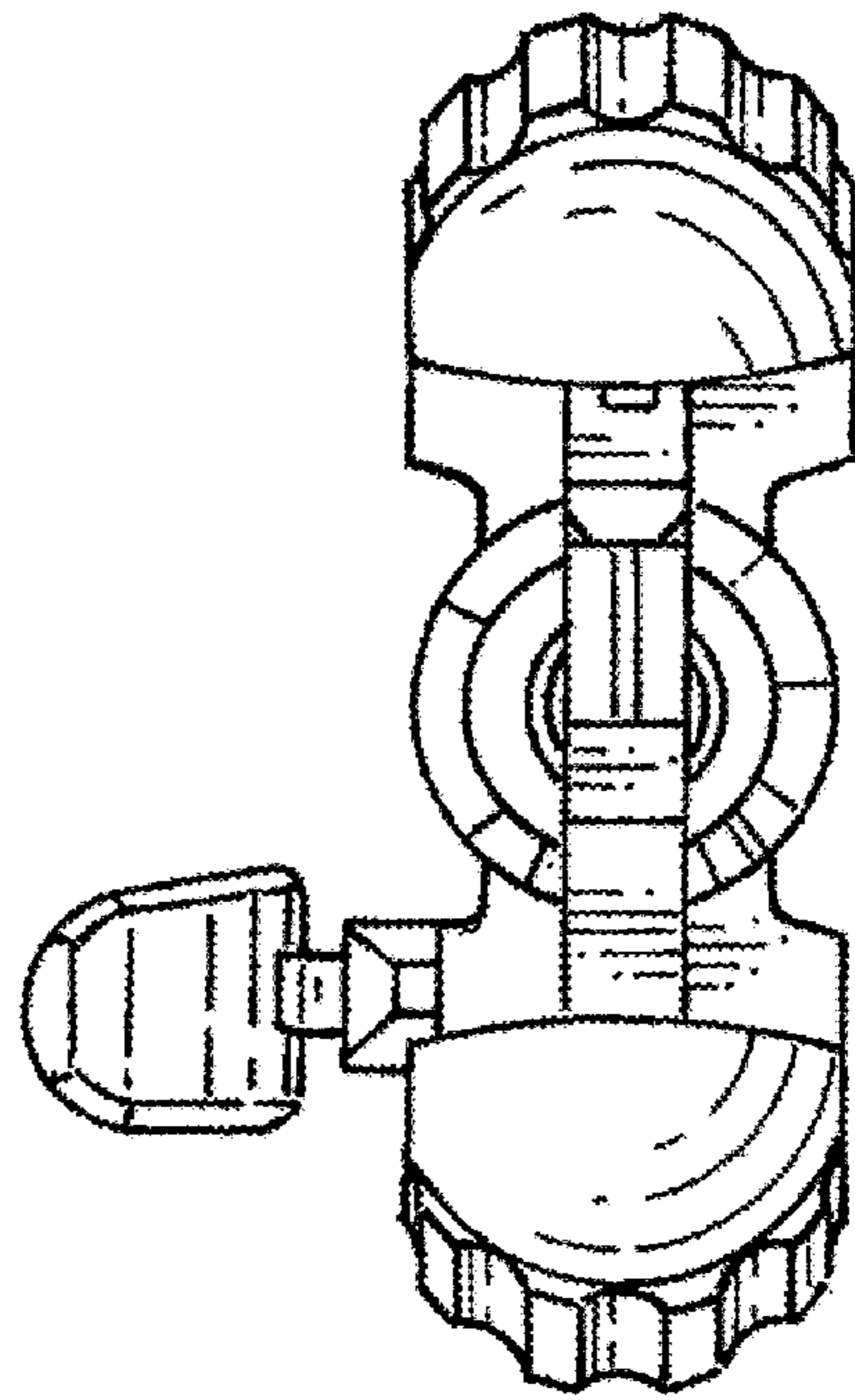


FIG. 7