



US00D617898S

(12) **United States Design Patent**
Koh et al.

(10) **Patent No.:** **US D617,898 S**
(45) **Date of Patent:** **** *Jun. 15, 2010**

(54) **HANDLE FOR MEDICAL INSTRUMENT**

(75) Inventors: **Charles H. Koh**, Milwaukee, WI (US);
Uwe Renger, Hilzingen (DE); **Jochen Stefan**, Wald (DE)

(73) Assignee: **Karl Storz GmbH & Co. KG** (DE)

(*) Notice: This patent is subject to a terminal disclaimer.

(**) Term: **14 Years**

(21) Appl. No.: **29/329,897**

(22) Filed: **Dec. 23, 2008**

(30) **Foreign Application Priority Data**

Jun. 23, 2008 (EM) 000956883

(51) **LOC (9) Cl.** **24-02**

(52) **U.S. Cl.** **D24/133; D24/143; D24/146; D24/147**

(58) **Field of Classification Search** D24/133, D24/146, 147, 143; 606/51, 52, 184, 205, 606/208, 210

See application file for complete search history.

(56) **References Cited**

U.S. PATENT DOCUMENTS

- 5,020,519 A * 6/1991 Hayes et al. 606/237
- 5,147,357 A * 9/1992 Rose et al. 606/49
- 5,282,800 A * 2/1994 Foshee et al. 606/52
- D350,606 S * 9/1994 Koros et al. D24/143
- 5,359,993 A * 11/1994 Slater et al. 600/133
- 5,603,723 A * 2/1997 Aranyi et al. 606/205

- 5,704,925 A * 1/1998 Otten et al. 604/272
- 5,728,107 A * 3/1998 Zlock et al. 606/139
- 6,436,122 B1 * 8/2002 Frank et al. 606/208
- 6,440,144 B1 * 8/2002 Bacher 606/142
- D465,281 S * 11/2002 Lang D24/147
- 6,540,737 B2 * 4/2003 Bacher et al. 606/1
- D537,162 S * 2/2007 Bacher et al. D24/133
- D541,416 S * 4/2007 Baehr et al. D24/133

(Continued)

Primary Examiner—Ian Simmons

Assistant Examiner—Mark A Goodwin

(74) *Attorney, Agent, or Firm*—St. Onge Steward Johnston & Reens LLC

(57) **CLAIM**

The ornamental design for a handle for medical instrument, as shown and described.

DESCRIPTION

FIG. 1 is a top front left side isometric view of a handle for medical instrument showing our new design;

FIG. 2 is a left side view thereof;

FIG. 3 is a right side view thereof;

FIG. 4 is a bottom view thereof;

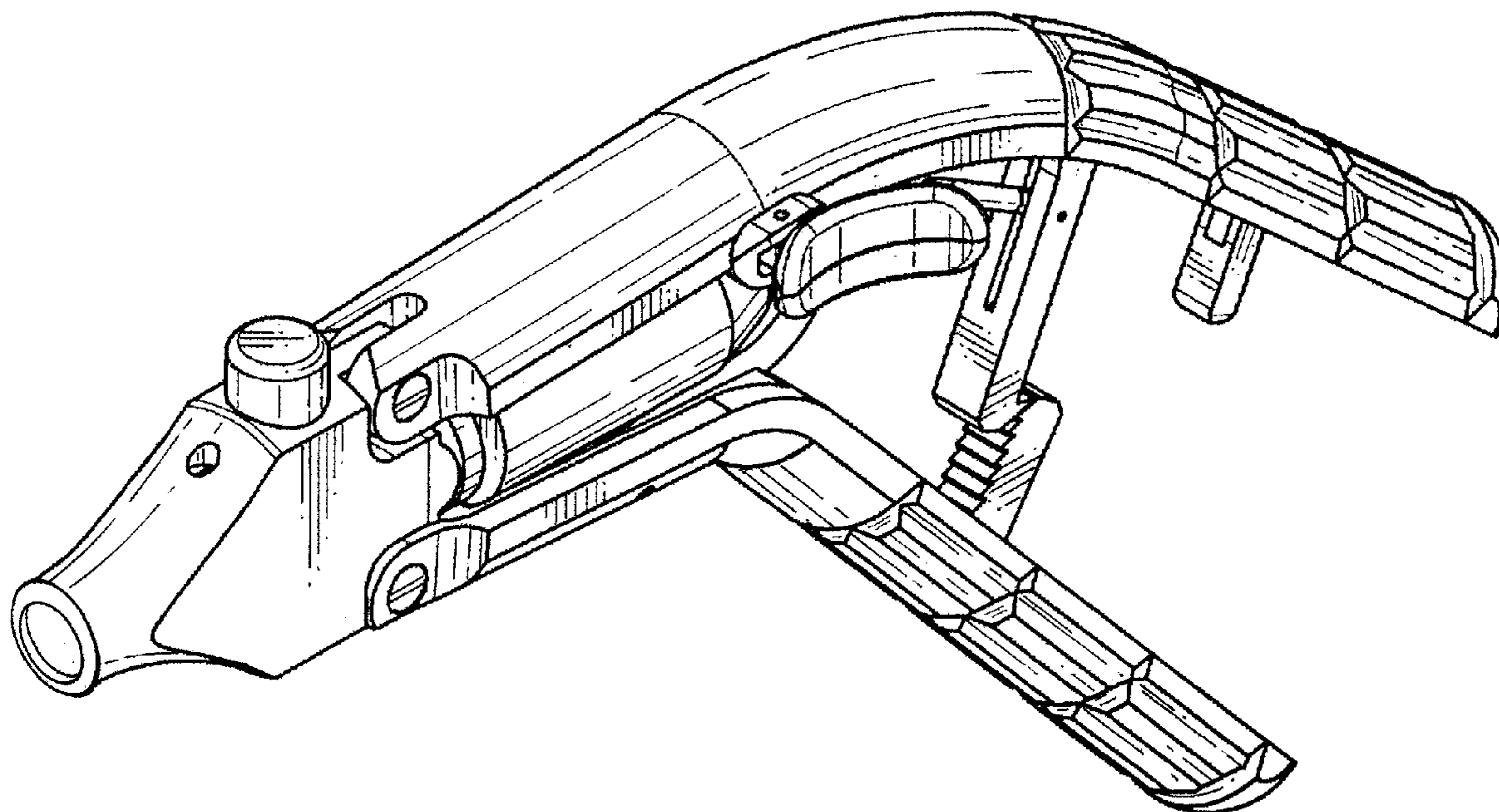
FIG. 5 is a top view thereof;

FIG. 6 is a rear view thereof; and,

FIG. 7 is a front view thereof.

The broken line showing of the circular elements in FIG. 7 is included for the purpose of illustrating portions of the handle for medical instrument and forms no part of the claimed design.

1 Claim, 6 Drawing Sheets



US D617,898 S

Page 2

U.S. PATENT DOCUMENTS

D562,450 S *	2/2008	Wehrstein et al.	D24/133	2005/0119692 A1 *	6/2005	Szabo	606/205
D571,914 S *	6/2008	Bacher	D24/143	2005/0131396 A1 *	6/2005	Stanczak et al.	606/1
D575,401 S *	8/2008	Hixson et al.	D24/144	2006/0095074 A1 *	5/2006	Lee et al.	606/205
D578,645 S *	10/2008	Shumer et al.	D24/133	2006/0206144 A1 *	9/2006	Miersch	606/205
D583,472 S *	12/2008	Koh	D24/143	2007/0016248 A1 *	1/2007	Cuschieri et al.	606/205
D583,941 S *	12/2008	Leroy	D24/135	2007/0179524 A1 *	8/2007	Weber et al.	606/205
D594,982 S *	6/2009	Stefan	D24/133	2008/0046002 A1 *	2/2008	Renger et al.	606/205
D598,101 S *	8/2009	Keckstein et al.	D24/143	2008/0294191 A1 *	11/2008	Lee	606/205
D604,844 S *	11/2009	Summerer et al.	D24/133	2009/0076506 A1 *	3/2009	Baker	606/51
2001/0027312 A1 *	10/2001	Bacher et al.	606/1	2009/0082795 A1 *	3/2009	Blocher et al.	606/167
2001/0041911 A1 *	11/2001	Dittrich et al.	606/205	2009/0157125 A1 *	6/2009	Hoffman et al.	606/86 A
2005/0107824 A1 *	5/2005	Hillstead et al.	606/205	2009/0248053 A1 *	10/2009	Bacher et al.	606/170

* cited by examiner

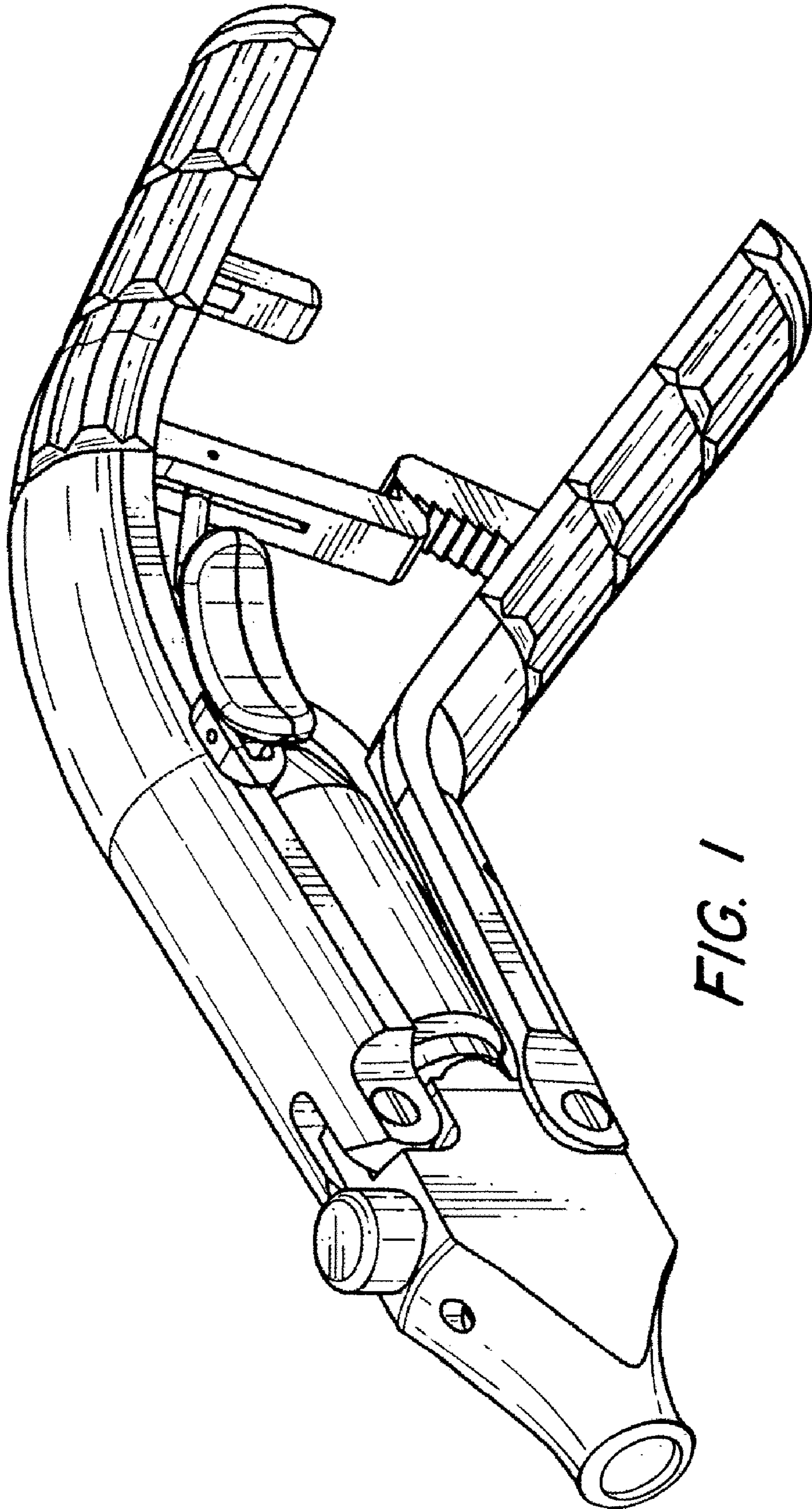


FIG. 1

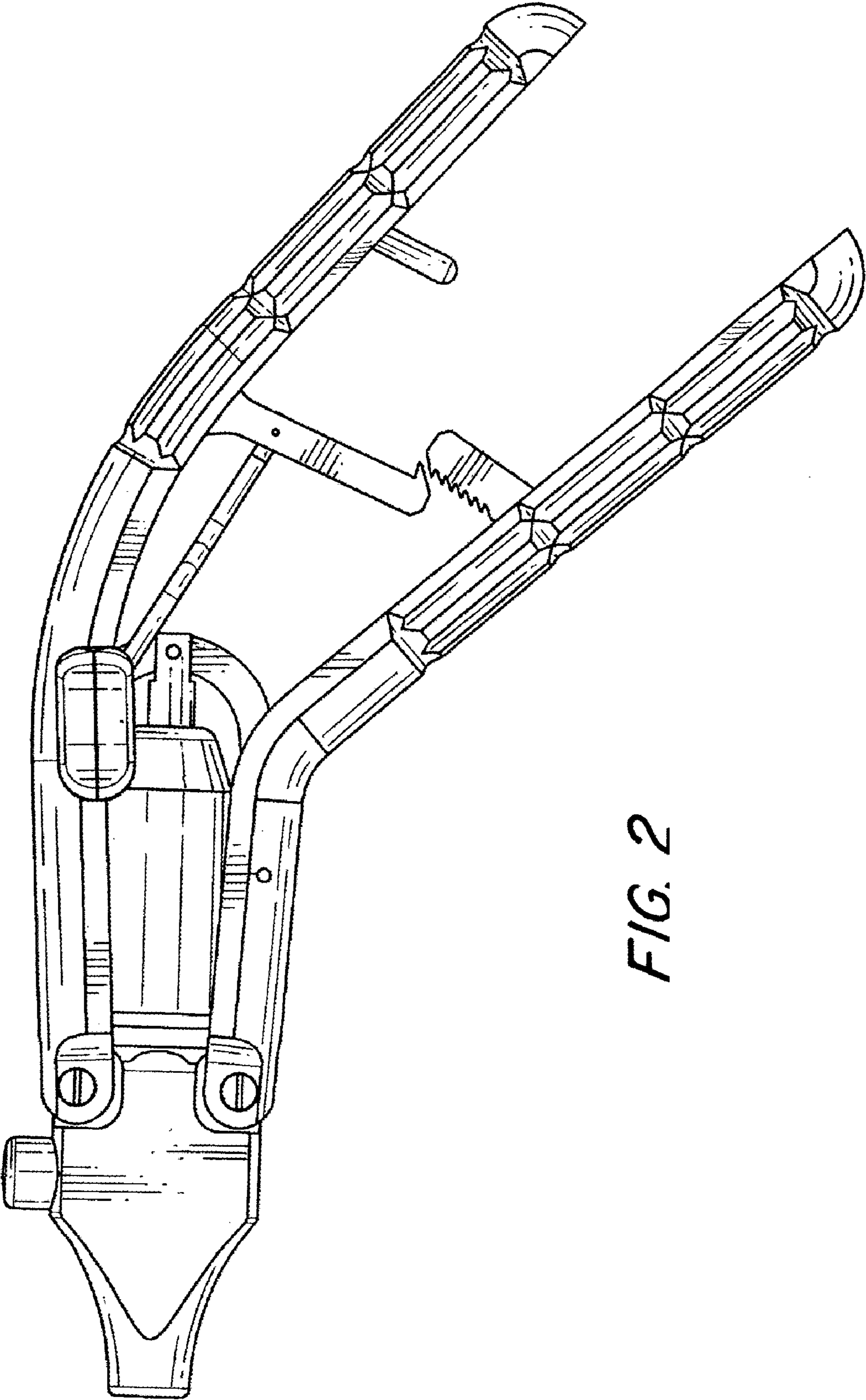


FIG. 2

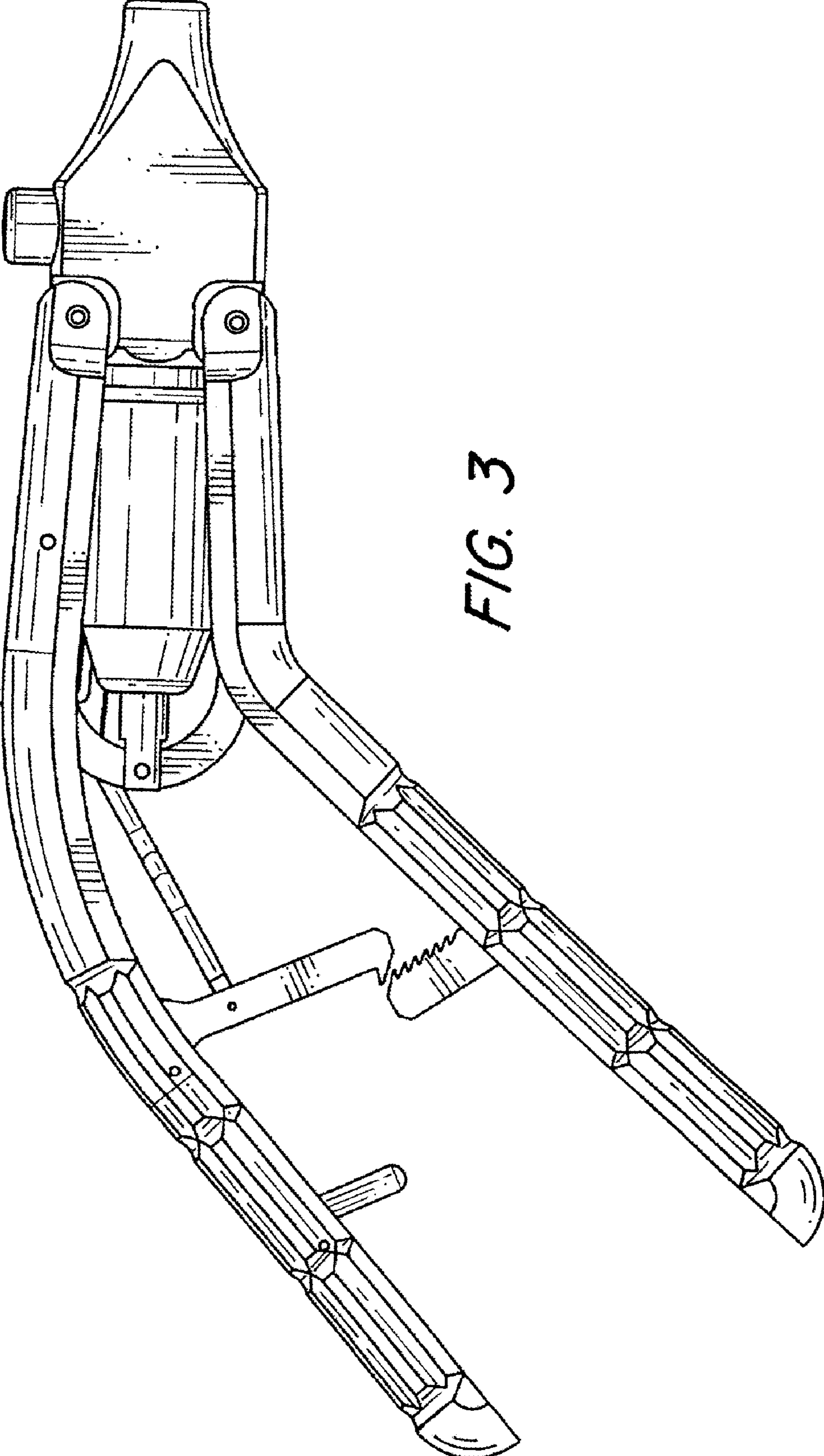


FIG. 3

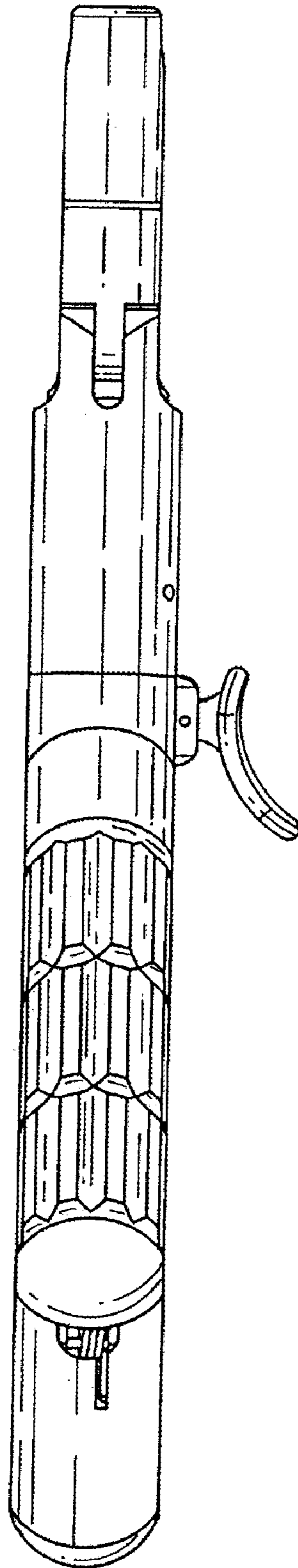


FIG. 4

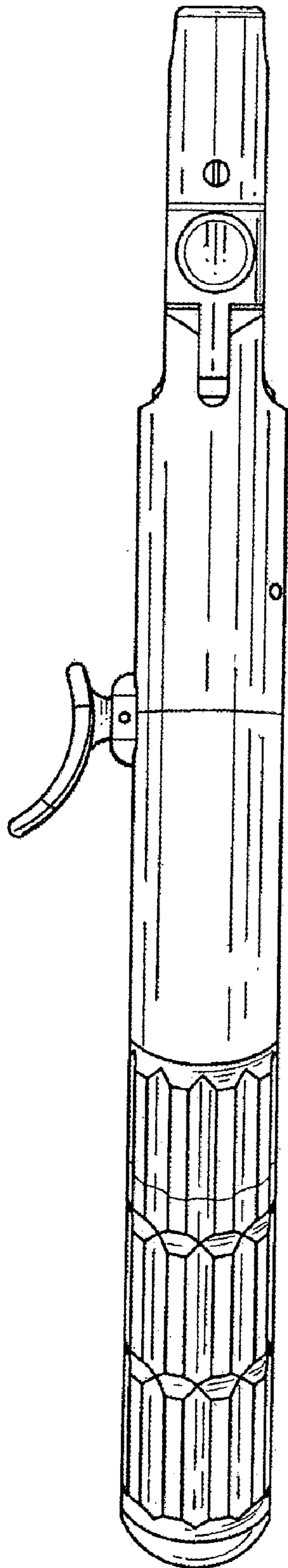


FIG. 5

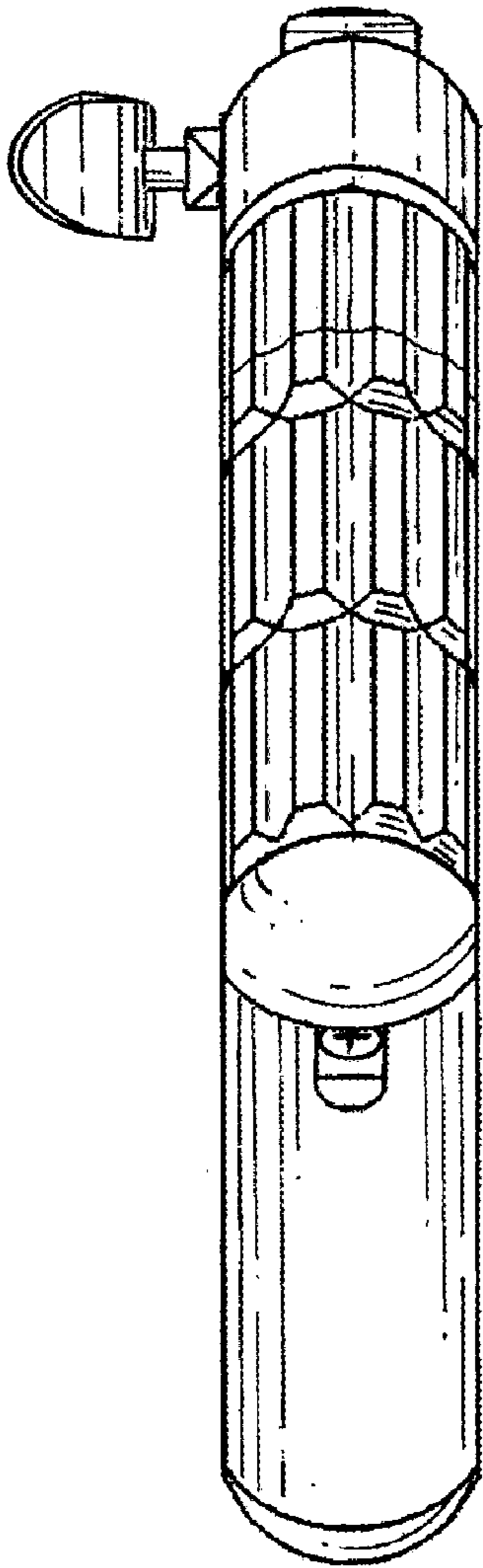


FIG. 6

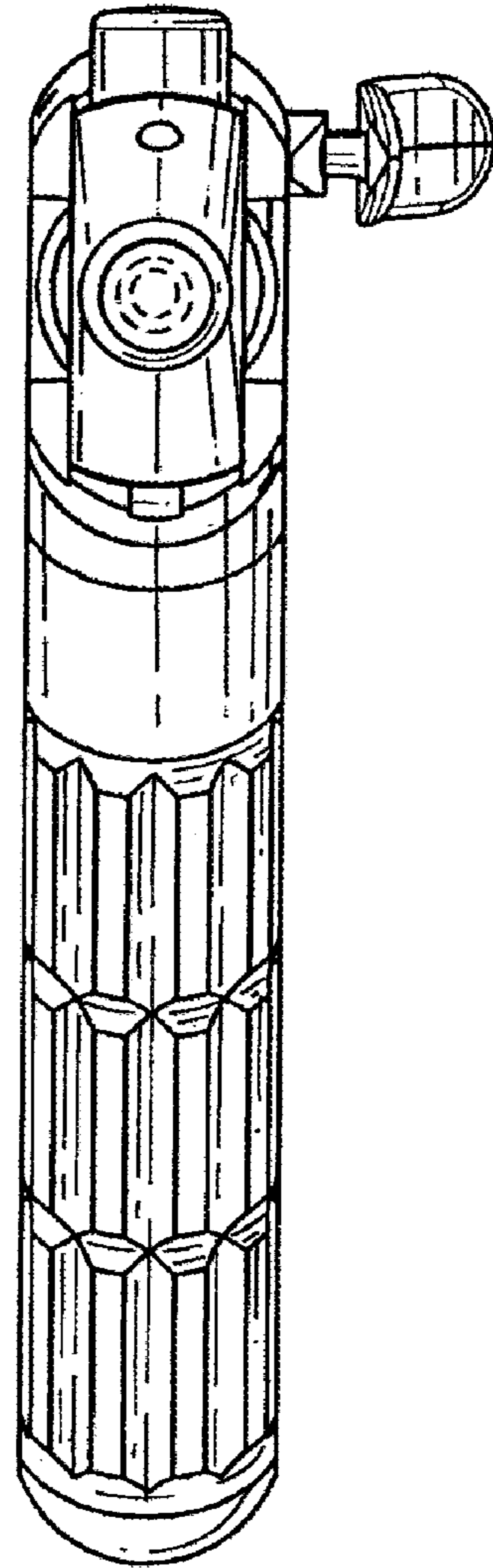


FIG. 7