



US00D617894S

(12) **United States Design Patent**
Wright

(10) **Patent No.:** **US D617,894 S**
(45) **Date of Patent:** **** Jun. 15, 2010**

(54) **OPEN-TOP FLUID-HOLDING DEVICE**

(76) Inventor: **James H. Wright**, P.O. Box 25,
Greenville, WV (US) 24945

(**) Term: **14 Years**

(21) Appl. No.: **29/342,833**

(22) Filed: **Sep. 1, 2009**

Related U.S. Application Data

(63) Continuation of application No. 10/604,046, filed on
Jun. 24, 2003.

(51) **LOC (9) Cl.** **24-04**

(52) **U.S. Cl.** **D24/121**

(58) **Field of Classification Search** D24/120–123,
D24/199, 220, 224; D7/509, 511; D8/300,
D8/310, 402, 376, 380; D21/679; D23/260;
D6/524, 550; 435/305.1; 220/483, 592.16,
220/570–572, 737–739; 4/557; 16/87.4 R,
16/94 D; 135/66–68, 77; 482/126

See application file for complete search history.

(56) **References Cited**

U.S. PATENT DOCUMENTS

2,122,628 A	7/1938	Tracy	220/740
2,397,499 A *	4/1946	McGowan	135/66
3,309,000 A	3/1967	Haverstick	222/569
3,356,266 A	12/1967	Pinter, Jr.	222/192
3,781,164 A	12/1973	McCaffery	431/291
D248,075 S	6/1978	Daenen	D7/523
D262,741 S *	1/1982	Fay	D24/224
4,316,560 A	2/1982	Carter	222/567
4,369,890 A	1/1983	Bennett	220/733
4,523,679 A	6/1985	Paikoff et al.	206/370
4,852,843 A	8/1989	Chandler	248/311.2
4,923,085 A	5/1990	Lillelund et al.	220/282
5,022,648 A *	6/1991	Travis	482/126
D347,973 S	6/1994	McBride	D7/619.2

5,385,105 A	1/1995	Withers et al.	110/346
5,515,995 A	5/1996	Allen et al.	220/592.16
D370,632 S	6/1996	Stonehouse	D9/774
D375,870 S	11/1996	Stonehouse	D7/523

(Continued)

FOREIGN PATENT DOCUMENTS

WO WO 200041945 A1 7/2000

Primary Examiner—T. Chase Nelson

Assistant Examiner—David G Muller

(74) *Attorney, Agent, or Firm*—Jay R. Yablon

(57) **CLAIM**

The ornamental design for an open-top fluid-holding device,
substantially as shown and described.

DESCRIPTION

FIG. 1 illustrates a top-front perspective view of the open-top
fluid-holding device.

FIG. 2 illustrates a top plan view of the open-top fluid-holding
device.

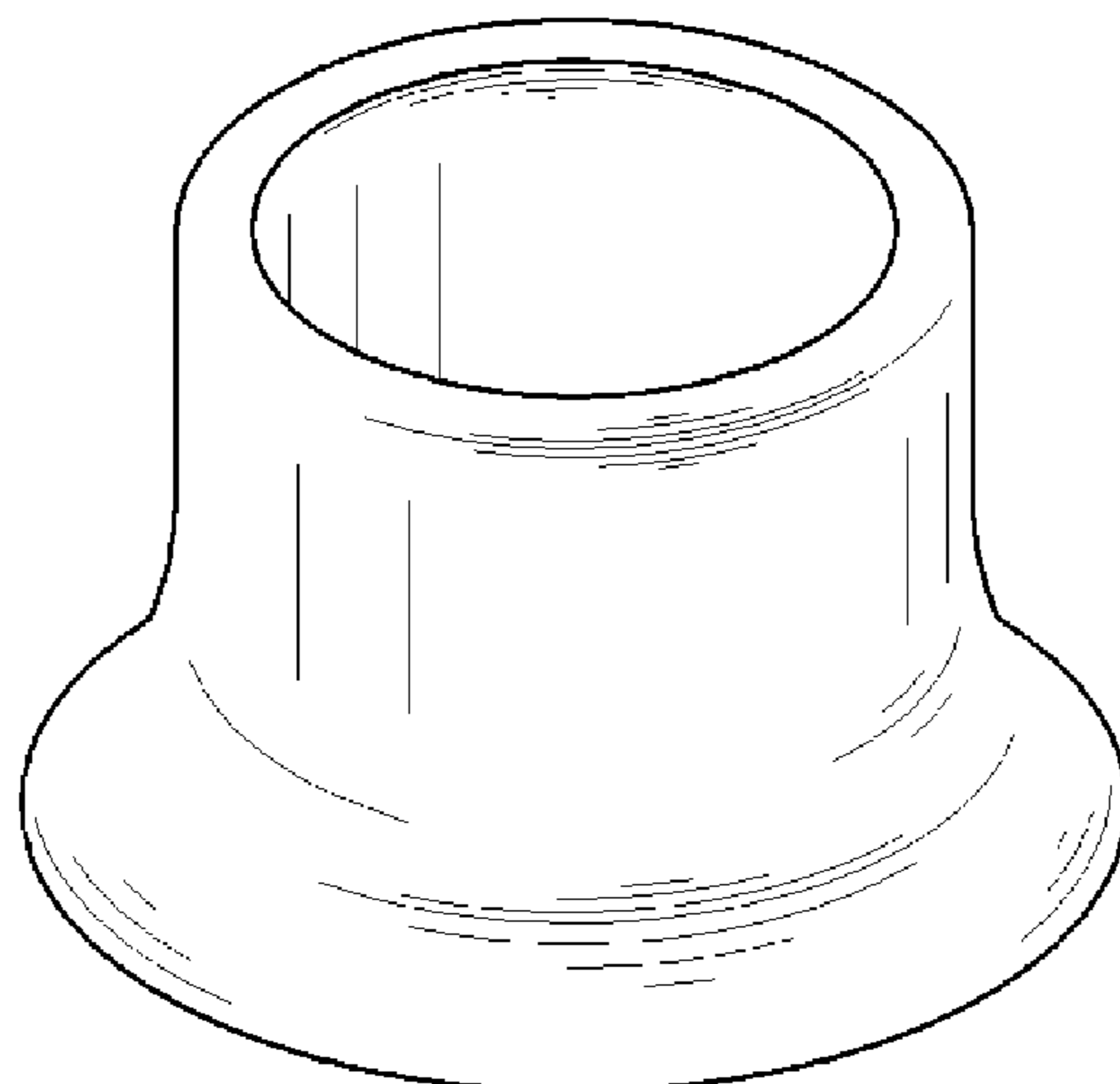
FIG. 3 illustrates a front elevation view of the open-top fluid-
holding device.

FIG. 4 illustrates a front cross-section view of the open-top
fluid-holding device, taken from the plane and direction of
sight indicated by the line 4—4 in FIG. 2; and,

FIG. 5 illustrates a bottom plan view of the open-top fluid-
holding device.

This design consists of the visual appearance of an open-top
fluid holding device, such as a drinking glass, a shot glass, or
a similar fluid holding container. The fluids to be held within
the device are not limited to consumable beverages, but may,
for example, include antiseptic solutions for cleaning a
patient wound and/or a surgical site, during a patent surgery,
during which this device would be rested upon a suitable
surgical support surface.

1 Claim, 3 Drawing Sheets



US D617,894 S

Page 2

U.S. PATENT DOCUMENTS

5,593,891	A	1/1997	Banes	435/305.1	D517,135	S *	3/2006	Klein	D21/679
5,699,819	A *	12/1997	Simons	135/77	D522,845	S *	6/2006	Suero	D8/376
D403,399	S *	12/1998	Montgomery et al.	D24/120	D522,846	S *	6/2006	Suero, Jr.	D8/376
6,032,824	A	3/2000	Barrow	220/621	D522,847	S *	6/2006	Suero, Jr.	D8/376
6,116,426	A	9/2000	Slonim	206/570	D526,848	S *	8/2006	Bodum	D7/509
D436,166	S *	1/2001	Berkey	D24/122	D605,935	S *	12/2009	Zeyfang	D8/402
6,386,138	B1	5/2002	Schramm	118/26	2003/0189055	A1	10/2003	Thinnes	220/630
6,571,976	B1	6/2003	Sonnabend	220/483	2004/0031721	A1	2/2004	Mann	206/570
6,596,374	B1	7/2003	Adjeleian	428/131	2005/0189008	A1 *	9/2005	Bonin	135/68

* cited by examiner

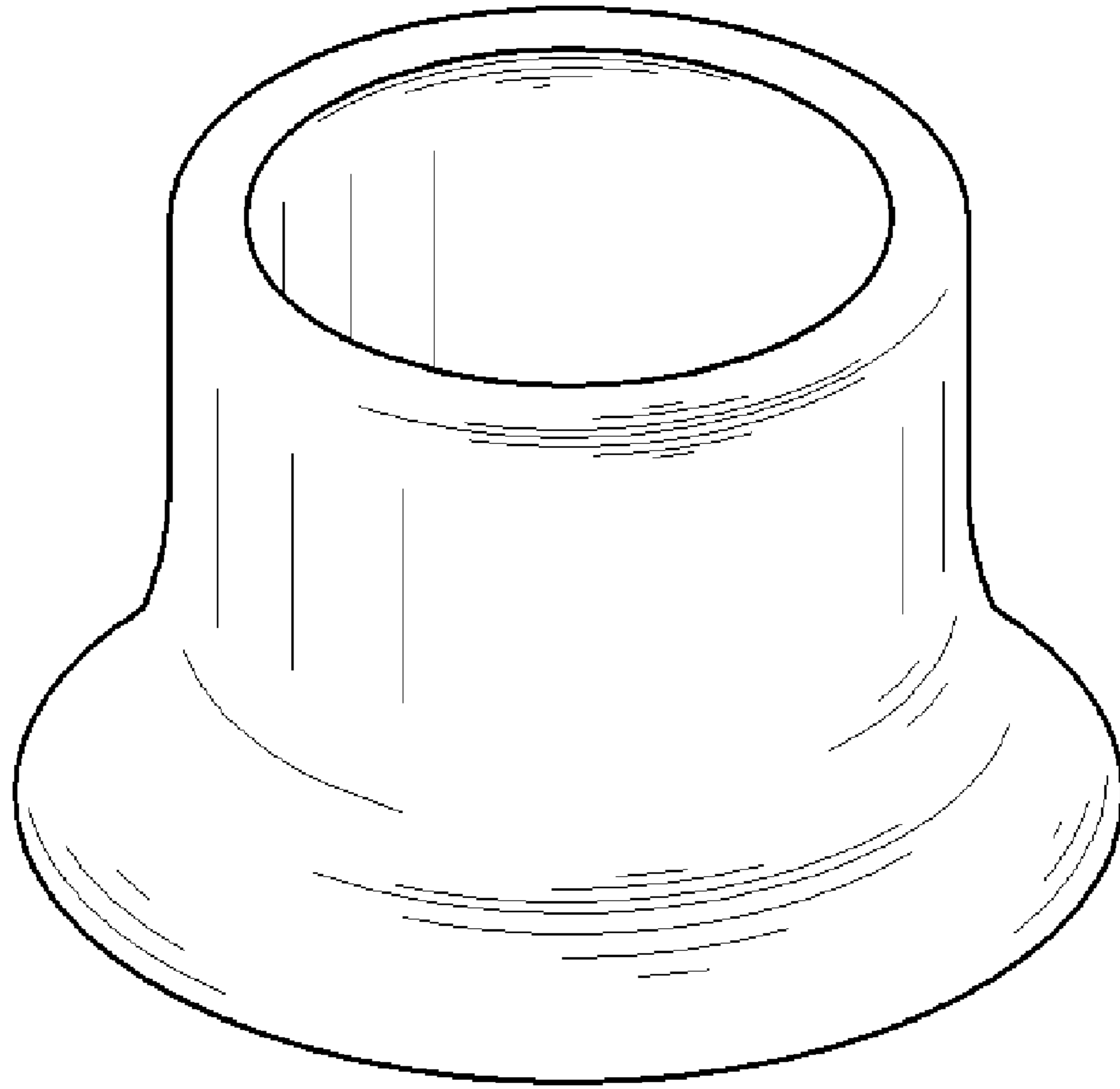


FIG. 1

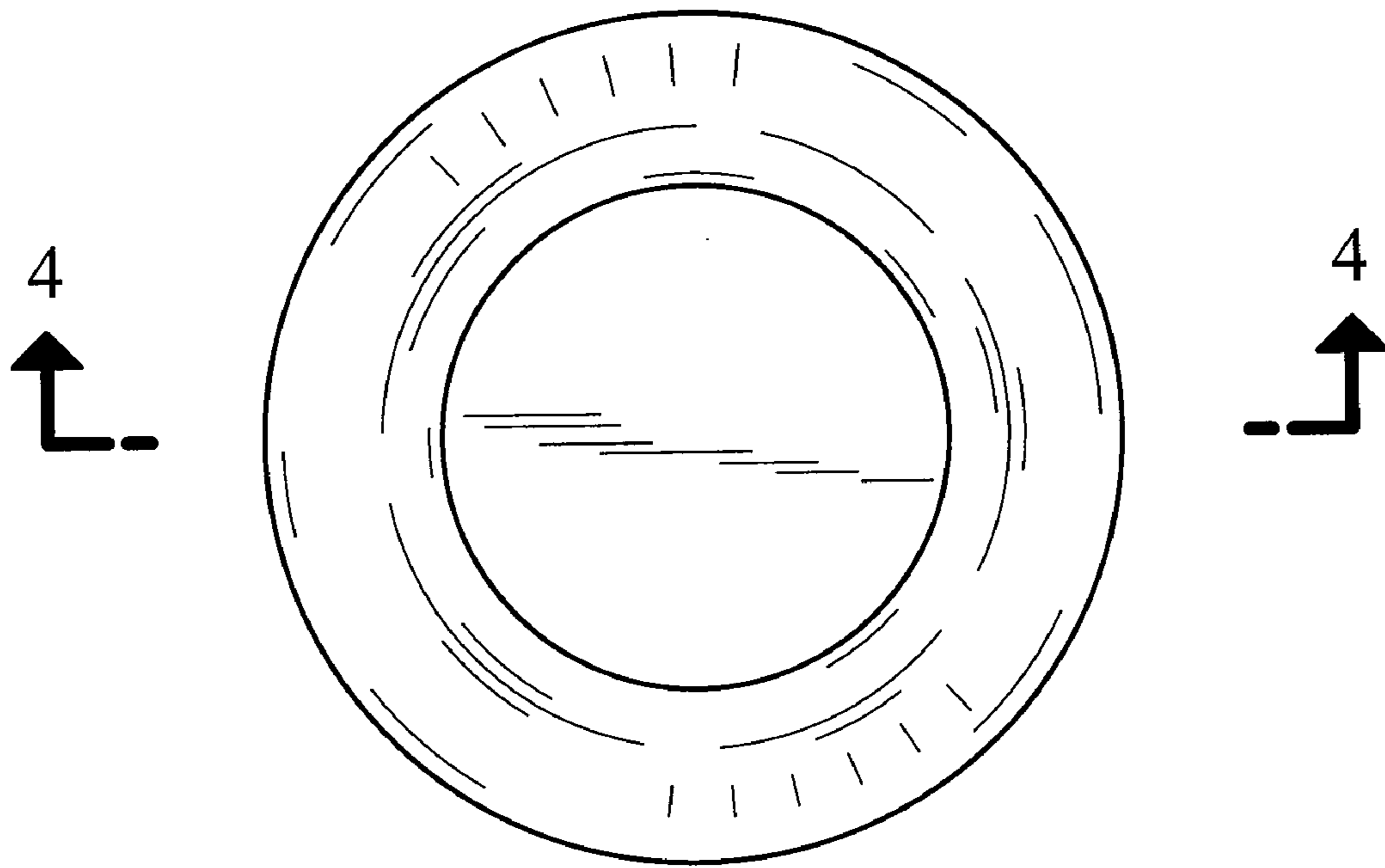


FIG. 2

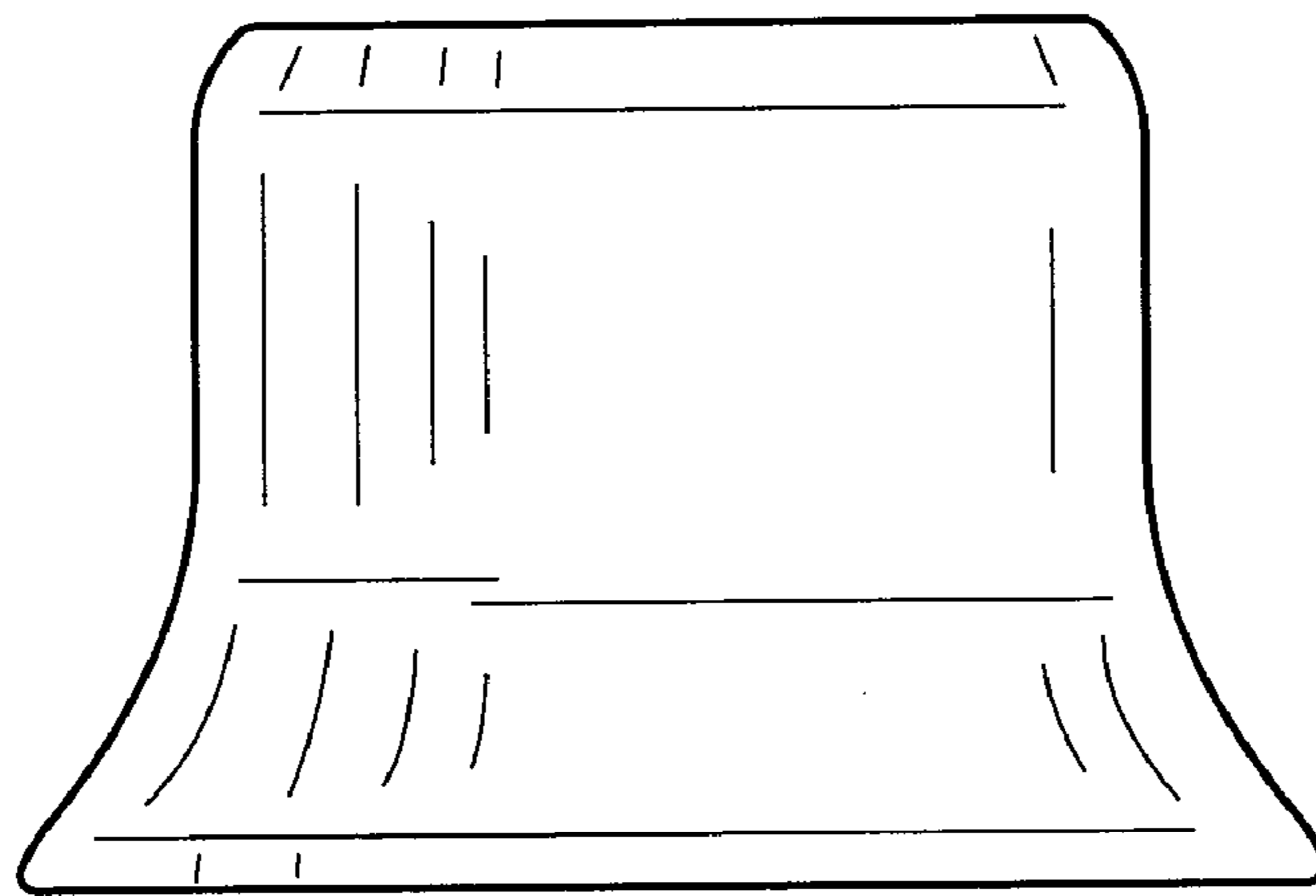


FIG. 3

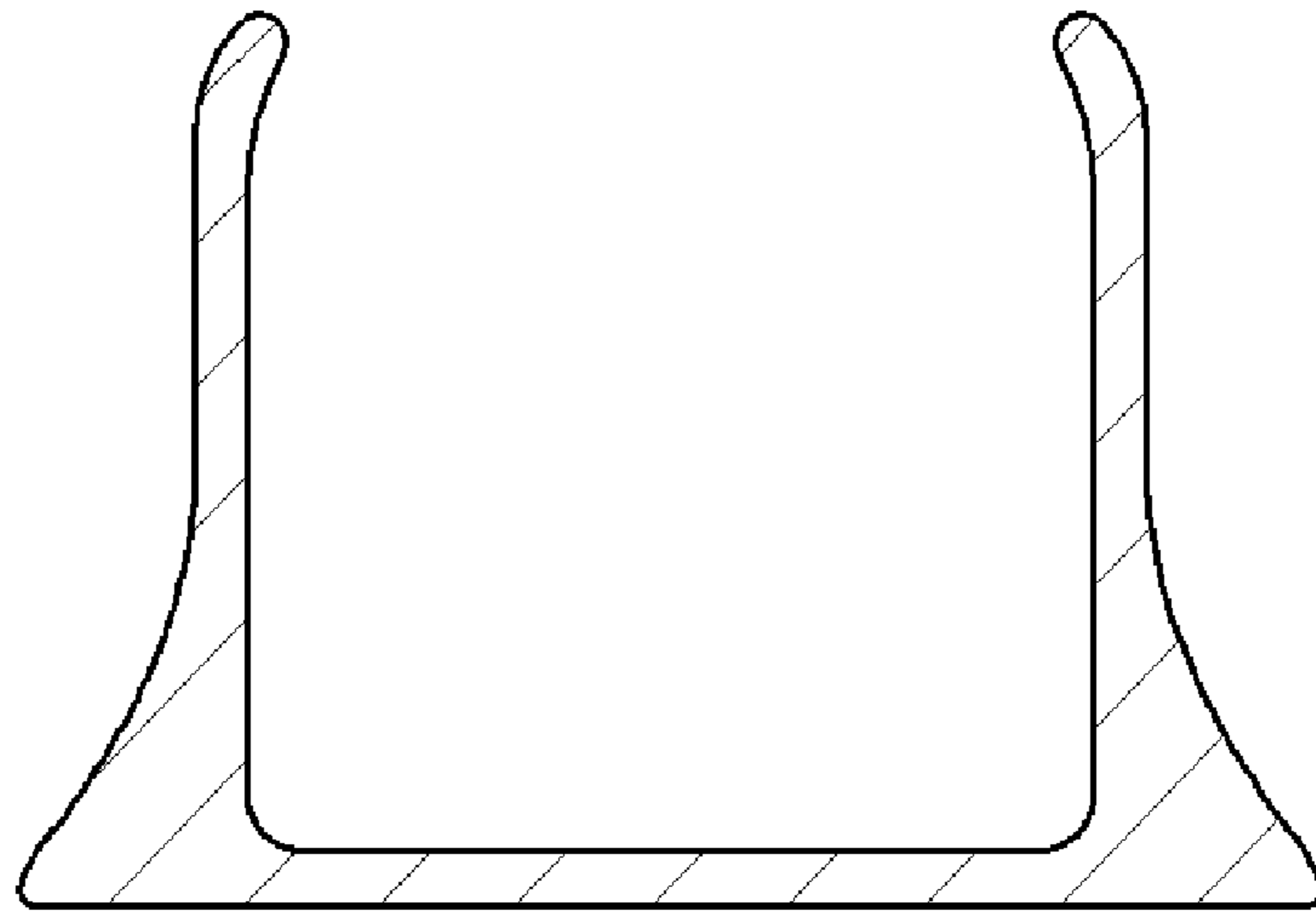


FIG. 4

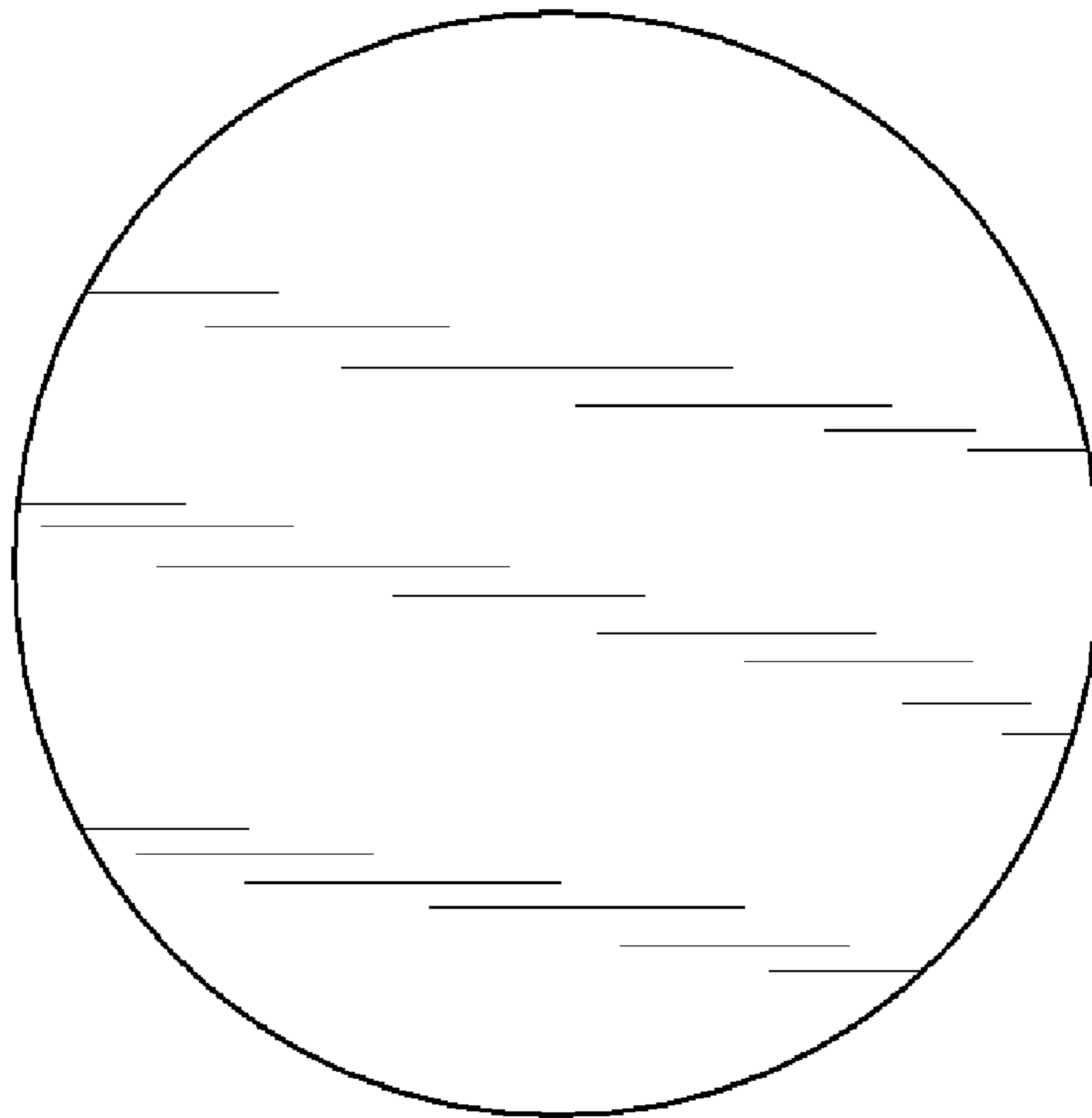


FIG. 5