



US00D617892S

(12) **United States Design Patent**  
**Brambilla et al.**

(10) **Patent No.:** **US D617,892 S**  
(45) **Date of Patent:** **\*\* Jun. 15, 2010**

(54) **RESPIRATORY MASK**

(75) Inventors: **Enrico Brambilla**, Drummoyne (AU);  
**Renee Frances Doherty**, Coogee (AU);  
**Philip John Gunning**, North Rocks  
(AU); **Michiel Kooij**, Camperdown  
(AU); **Philip Rodney Kwok**, Chatswood  
(AU)

D443,355 S	6/2001	Gunaratnam et al.
D468,421 S	1/2003	Smart
6,532,961 B1	3/2003	Kwok et al.
D486,907 S	2/2004	Guney et al.
D492,992 S	7/2004	Guney et al.
7,159,587 B2	1/2007	Drew et al.
D576,271 S	9/2008	Gunaratnam et al.
2008/0066757 A1	3/2008	Stallard et al.
2009/0044810 A1*	2/2009	Kwok et al. .... 128/206.28

(73) Assignee: **ResMed Limited**, Bella Vista, New  
South Wales (AU)

\* cited by examiner

(\*\*) Term: **14 Years**

*Primary Examiner*—Ian Simmons

*Assistant Examiner*—Christopher Lee

(21) Appl. No.: **29/294,075**

(74) *Attorney, Agent, or Firm*—Nixon & Vanderhye P.C.

(22) Filed: **Dec. 21, 2007**

(57) **CLAIM**

(30) **Foreign Application Priority Data**

Jun. 22, 2007 (AU) ..... 18715/2007

The ornamental design for a respiratory mask, as shown.

(51) **LOC (9) Cl.** ..... **29-02**

(52) **U.S. Cl.** ..... **D24/110.1**

(58) **Field of Classification Search** ..... D24/110,  
D24/110.1, 110.4, 110.5; 128/207.12, 204.12,  
128/206.24, 206.25, 206.27, 206.28, 206.12,  
128/205.25, 206.21

**DESCRIPTION**

FIG. 1 is a front perspective view of a respiratory mask  
according to an embodiment of my/our design;

FIG. 2 is a reverse perspective view thereof;

FIG. 3 is a front view thereof;

FIG. 4 is a rear view thereof;

FIG. 5 is a top view thereof;

FIG. 6 is a bottom view thereof;

FIG. 7 is a right side view thereof; and,

FIG. 8 is a left side view thereof.

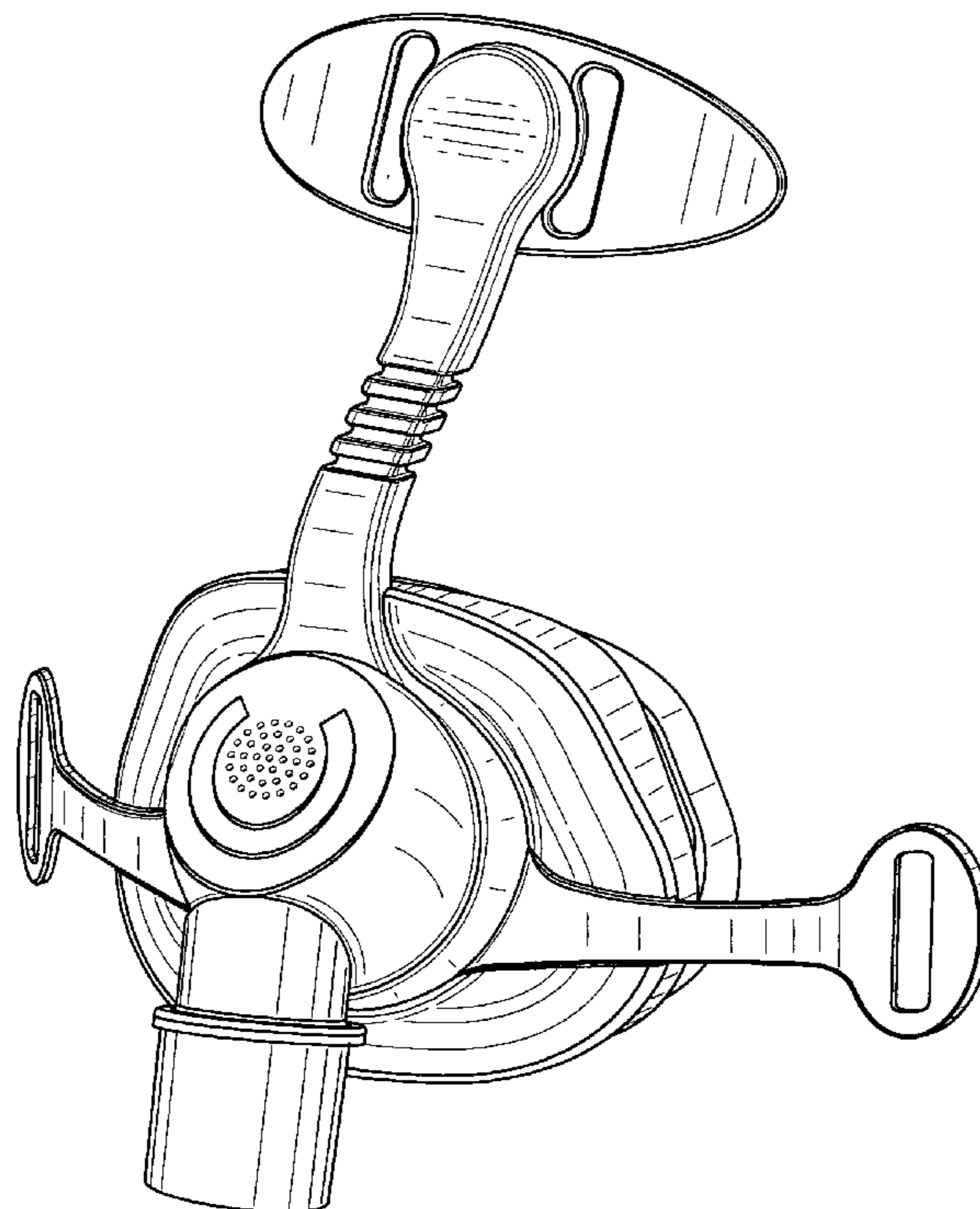
See application file for complete search history.

(56) **References Cited**

**U.S. PATENT DOCUMENTS**

D322,318 S 12/1991 Sullivan  
5,570,689 A 11/1996 Starr et al.

**1 Claim, 7 Drawing Sheets**



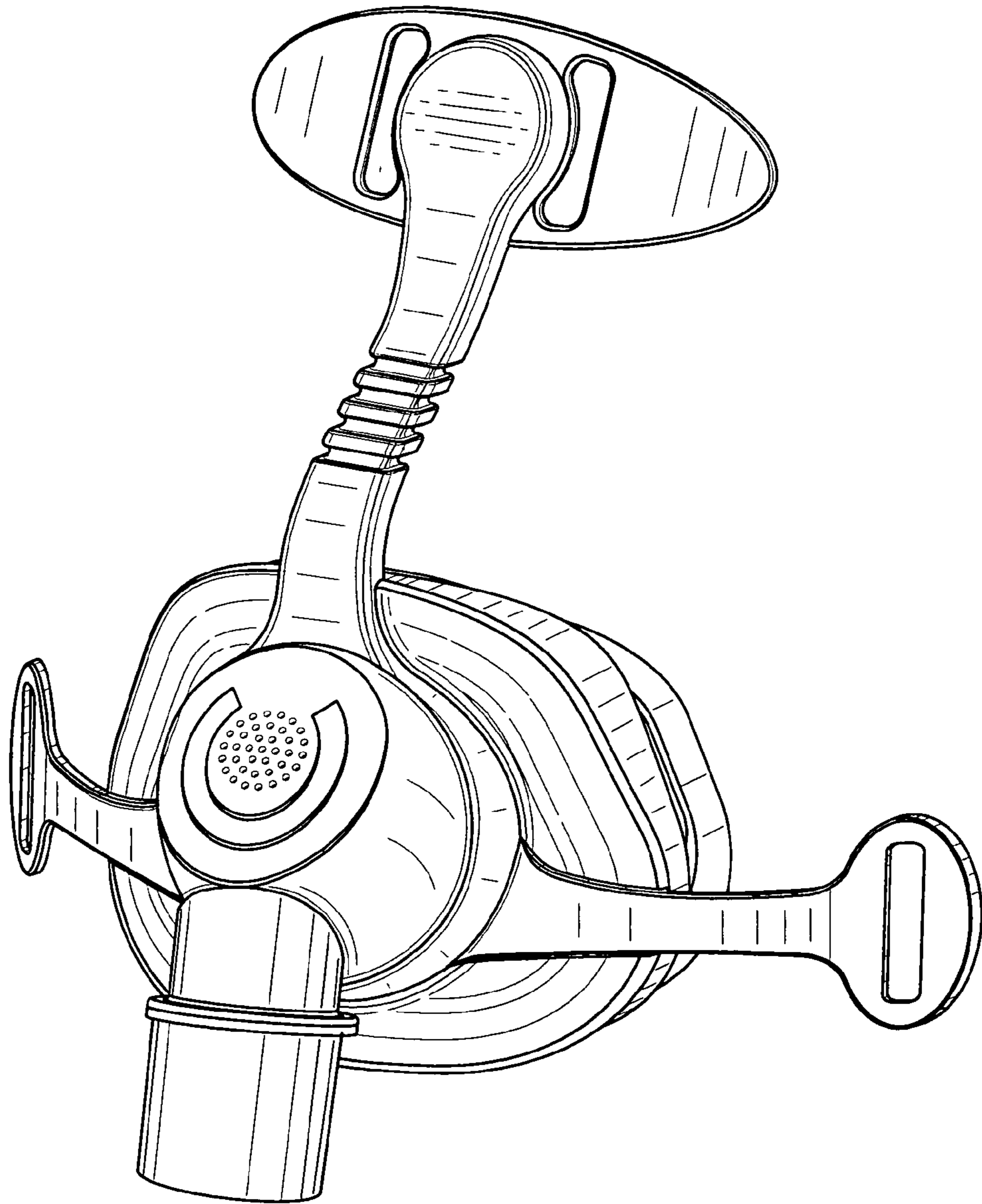


Figure 1

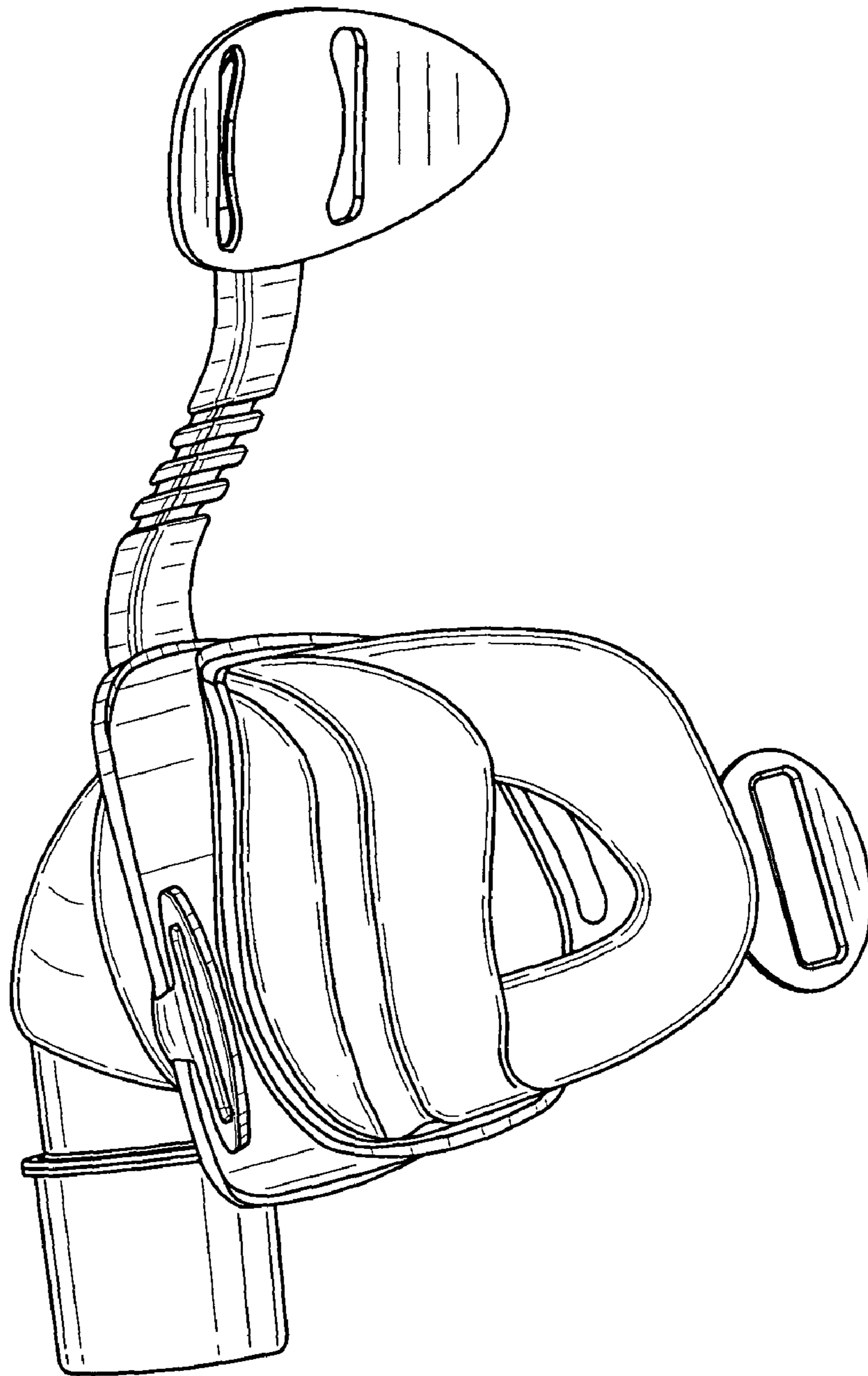


Figure 2

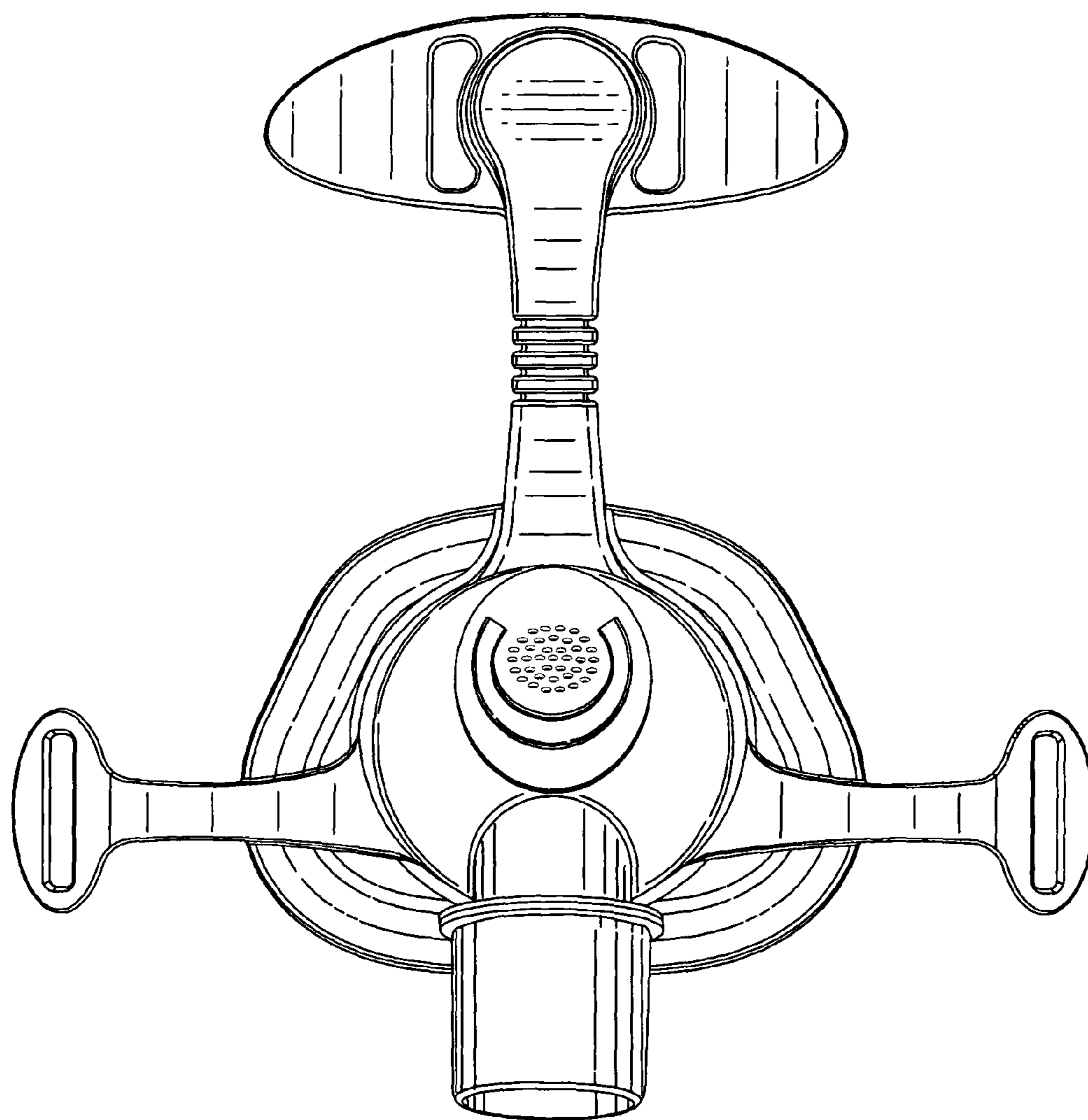


Figure 3

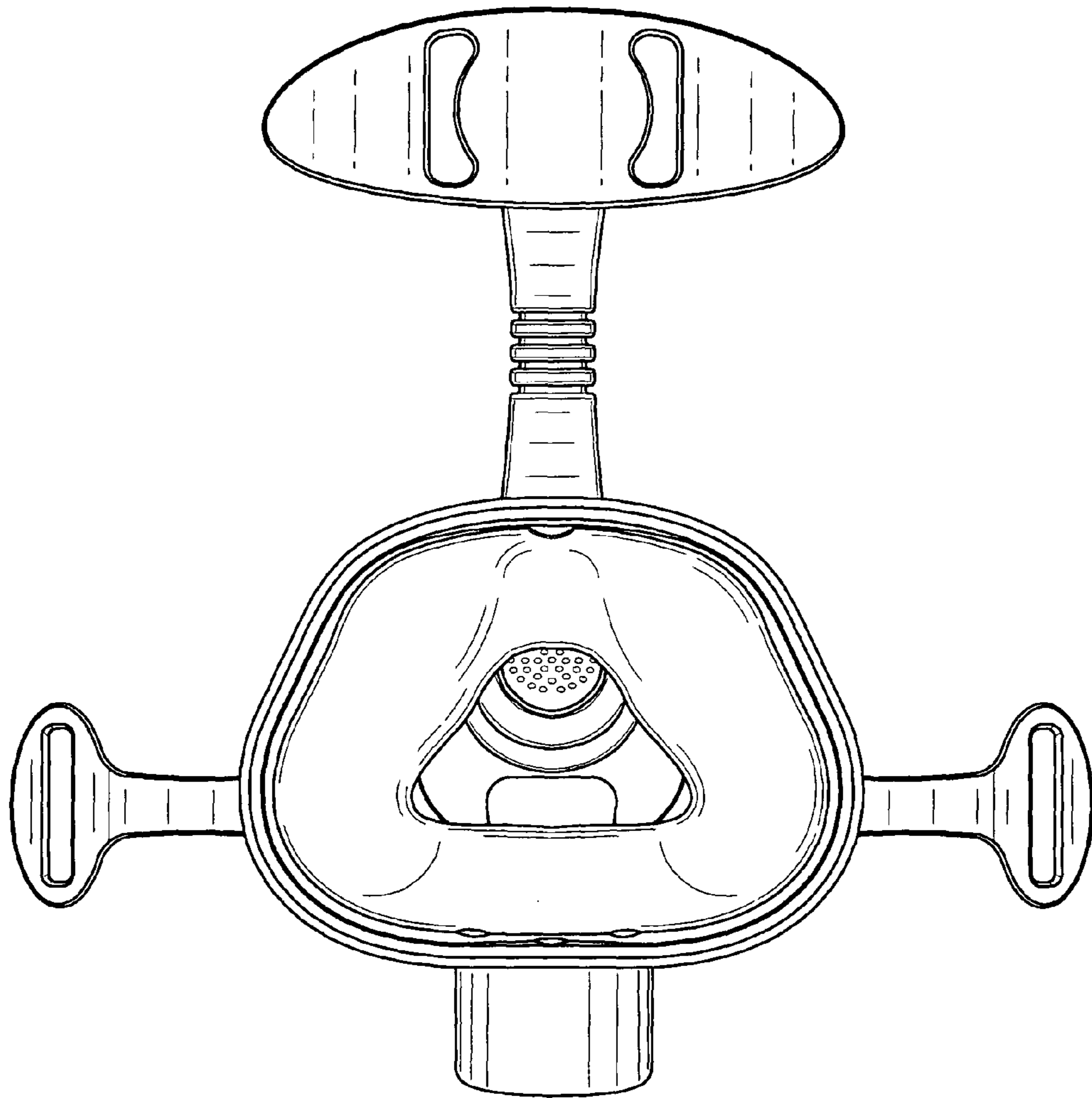


Figure 4

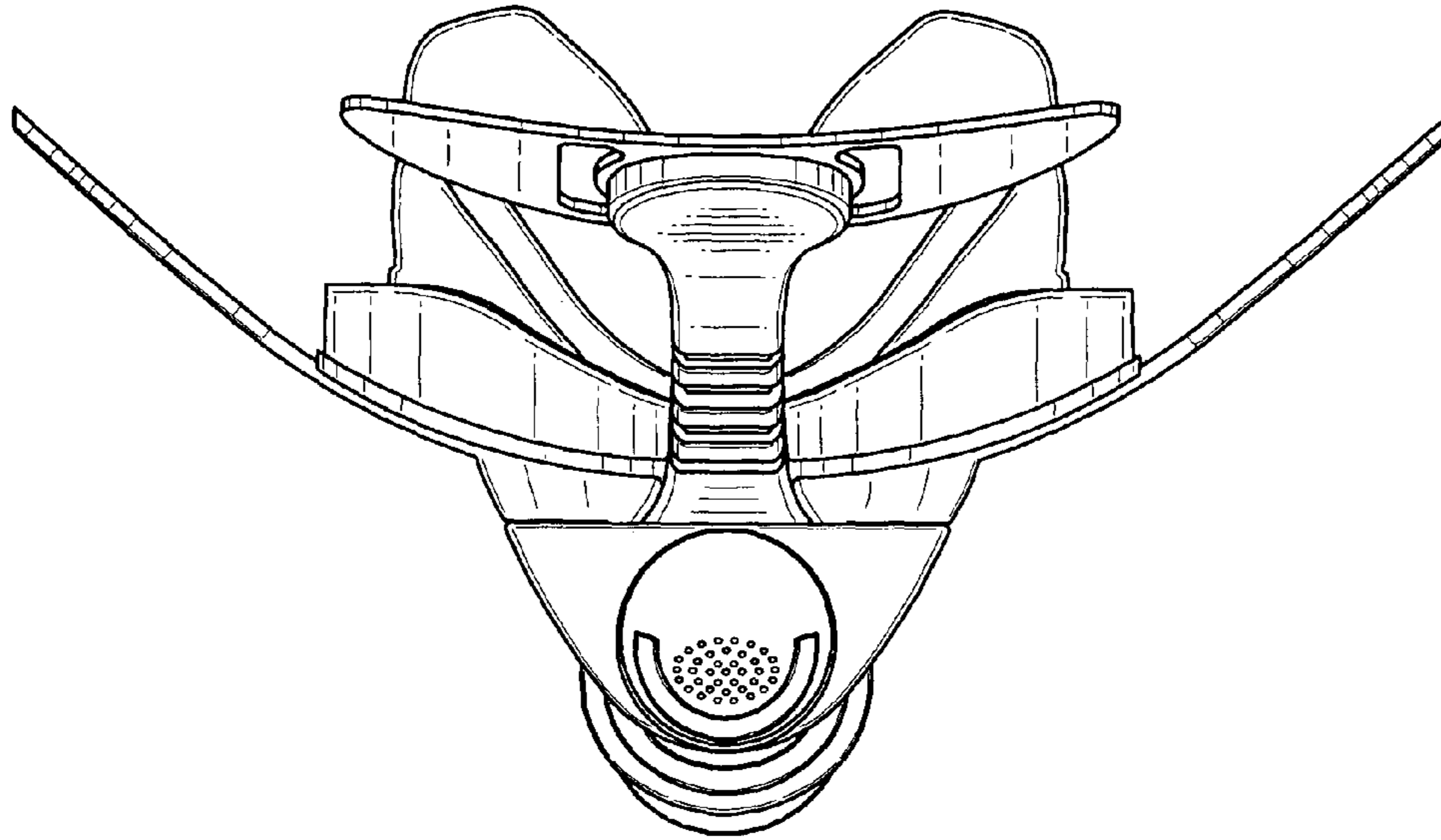


Figure 5

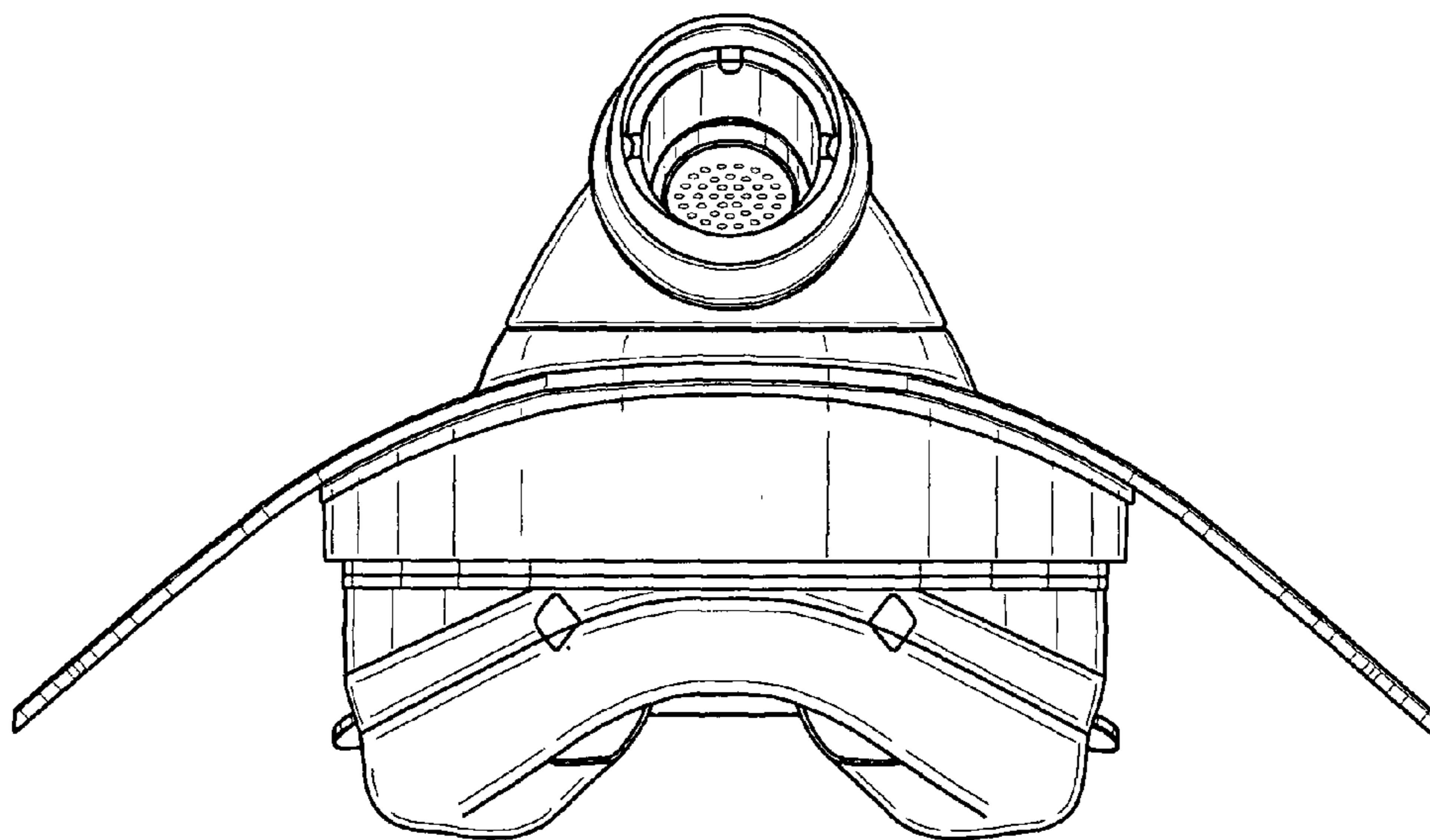


Figure 6

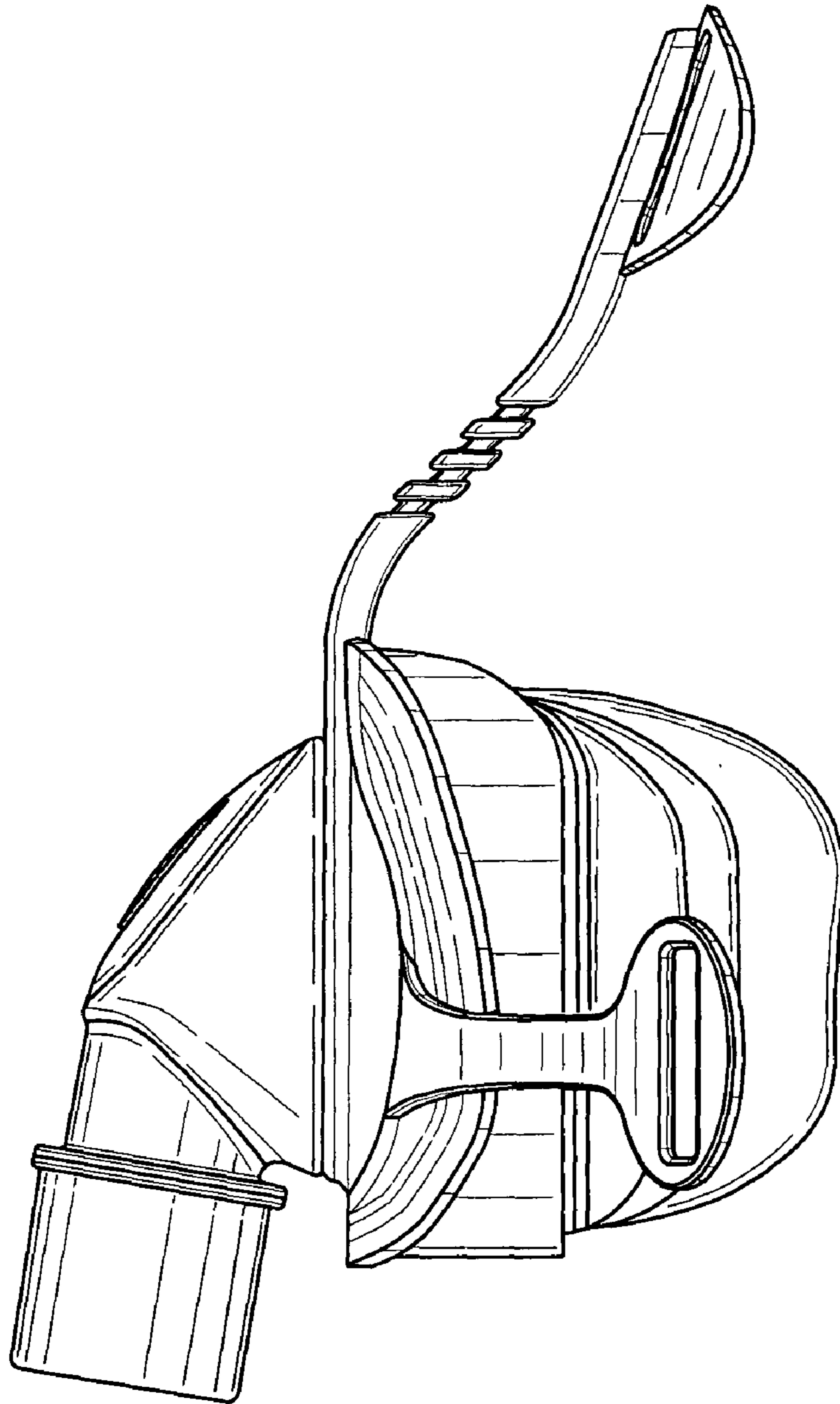


Figure 7

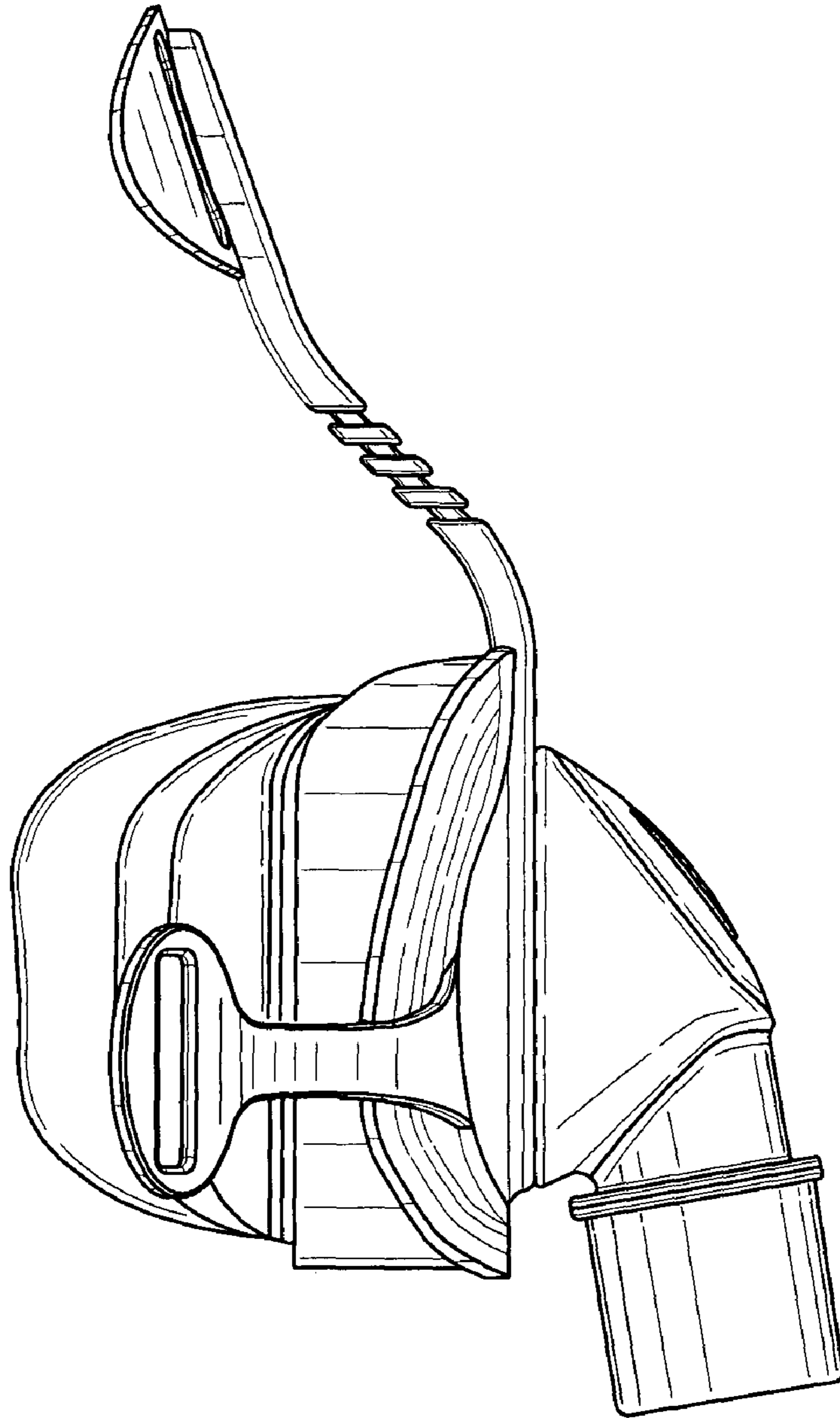


Figure 8