



US00D617890S

(12) **United States Design Patent**  
**Thomas**

(10) **Patent No.:** **US D617,890 S**  
(45) **Date of Patent:** **\*\* Jun. 15, 2010**

(54) **ROUND BURNER WITH SHUTTERS**

(75) Inventor: **Stephane Thomas**, Annandale (AU)

(73) Assignee: **Esmart Group Pty Limited**,  
Warriewood (AU)

(\*\*) Term: **14 Years**

(21) Appl. No.: **29/331,634**

(22) Filed: **Jan. 29, 2009**

(30) **Foreign Application Priority Data**

Jul. 29, 2008 (EM) ..... 000978655

(51) **LOC (9) Cl.** ..... **23-04**

(52) **U.S. Cl.** ..... **D23/393**

(58) **Field of Classification Search** ..... D23/385-393,  
D23/370, 351, 354; 454/309, 275-277, 284,  
454/287-291

See application file for complete search history.

(56) **References Cited**

**U.S. PATENT DOCUMENTS**

D329,090 S \* 9/1992 Vogelzang ..... D23/392

(Continued)

*Primary Examiner*—T. Chase Nelson

*Assistant Examiner*—David G Muller

(74) *Attorney, Agent, or Firm*—Millen, White, Zelano &  
Branigan, P.C.

(57) **CLAIM**

The round burner with shutters, as shown and described.

**DESCRIPTION**

FIG. 1 is a top perspective view of the round burner with shutters showing the shutters closed;

FIG. 2 is a top perspective view of the round burner showing the shutters partially open;

FIG. 3 is a top perspective view of the round burner showing the shutters completely open;

FIG. 4 is a top view of the round burner with shutters showing the shutters closed;

FIG. 5 is a top view of the round burner with shutters showing the shutters partially open;

FIG. 6 is a top view of the burner with shutters showing the shutters completely open;

FIG. 7 is a front view of the round burner when the shutters are closed;

FIG. 8 is a front view of the round burner with shutters with the shutters partially open;

FIG. 9 is a front view of the round burner with shutters when the shutters are completely open;

FIG. 10 is a side view of a first side of the round burner with shutters when the shutters are completely closed;

FIG. 11 is a side view of a first side of the round burner with shutters when the shutters are partially open;

FIG. 12 is a side view of the first side of the round burner with shutters when the shutters are completely open;

FIG. 13 is a side view of second side of the round burner with shutters when the shutters are completely closed;

FIG. 14 is a side view of the second side of the round burner with shutters when the shutters are partially open;

FIG. 15 is a side view of the second side of the round burner with shutters when the shutters are completely open;

FIG. 16 is a rear view of the round burner with shutters when the shutters are completely closed;

FIG. 17 is a rear view of the round burner with shutters when the shutters are partially open;

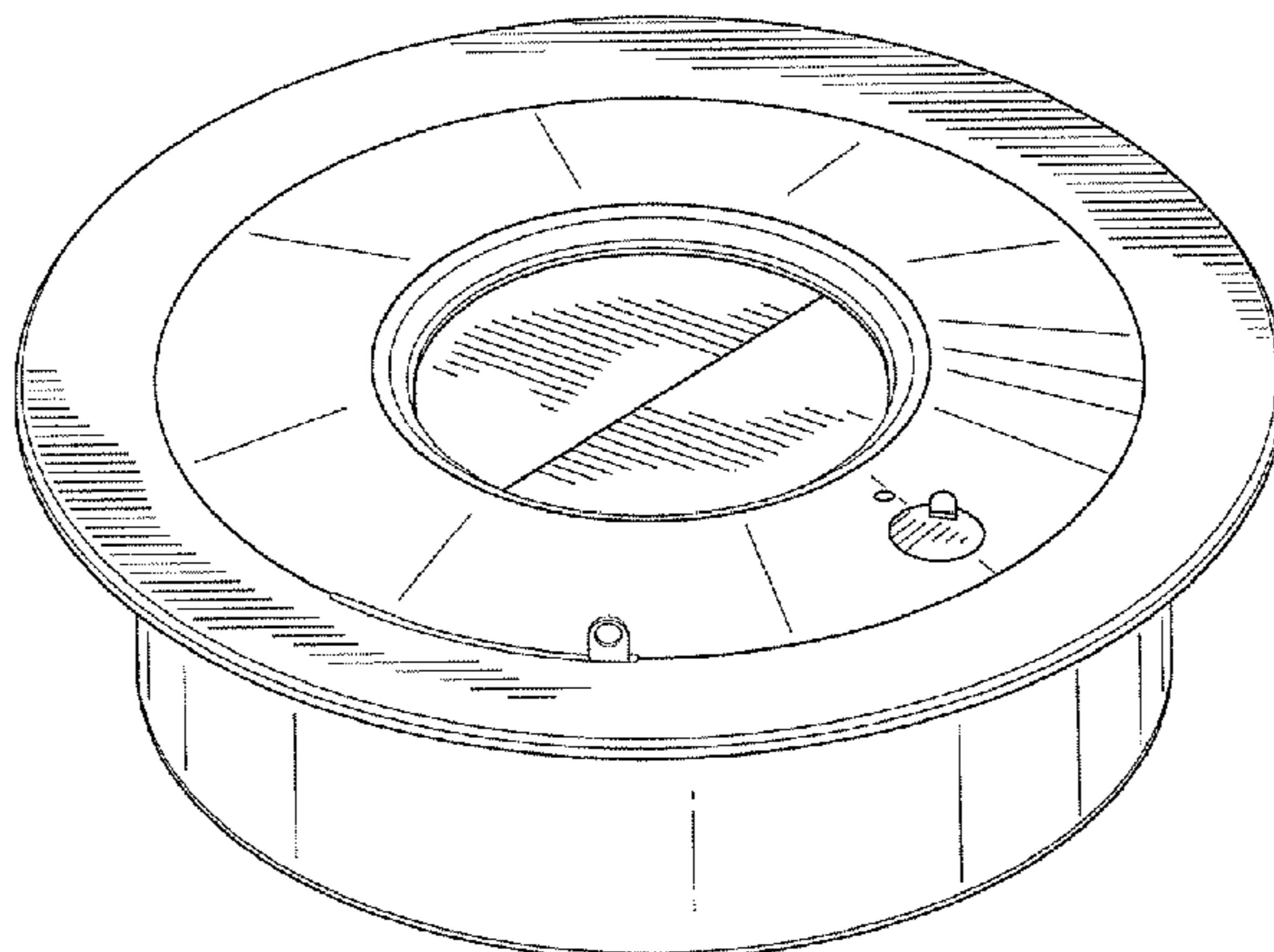
FIG. 18 is a rear view of the round burner with shutters when the shutters are completely open;

FIG. 19 is a bottom perspective view of the round burner with shutters; and,

FIG. 20 is a bottom view of the round burner with shutters.

The broken lines depict portions of the round burner with shutters that form no part of the claimed design.

**1 Claim, 14 Drawing Sheets**



# US D617,890 S

Page 2

---

## U.S. PATENT DOCUMENTS

5,876,281	A	*	3/1999	Hirasawa et al.	.....	454/284			
D432,226	S	*	10/2000	Orendorff	.....	D23/393			
D466,605	S	*	12/2002	Ziegler	.....	D23/393			
D502,990	S	*	3/2005	Morris, III	.....	D23/390			
D506,819	S	*	6/2005	Stobart	.....	D23/370			
D508,122	S	*	8/2005	Murphy	.....	D23/387			
D524,930	S	*	7/2006	Blanchard	.....	D23/393			
D525,354	S	*	7/2006	Nishizawa	.....	D23/393			
D558,325	S	*	12/2007	Karnes	.....	D23/393			
D559,969	S	*	1/2008	Hammock, Jr.	.....	D23/388			
7,320,638	B2	*	1/2008	Craig	.....	454/290			
D563,542	S	*	3/2008	Wettergren	.....	D23/388			

\* cited by examiner

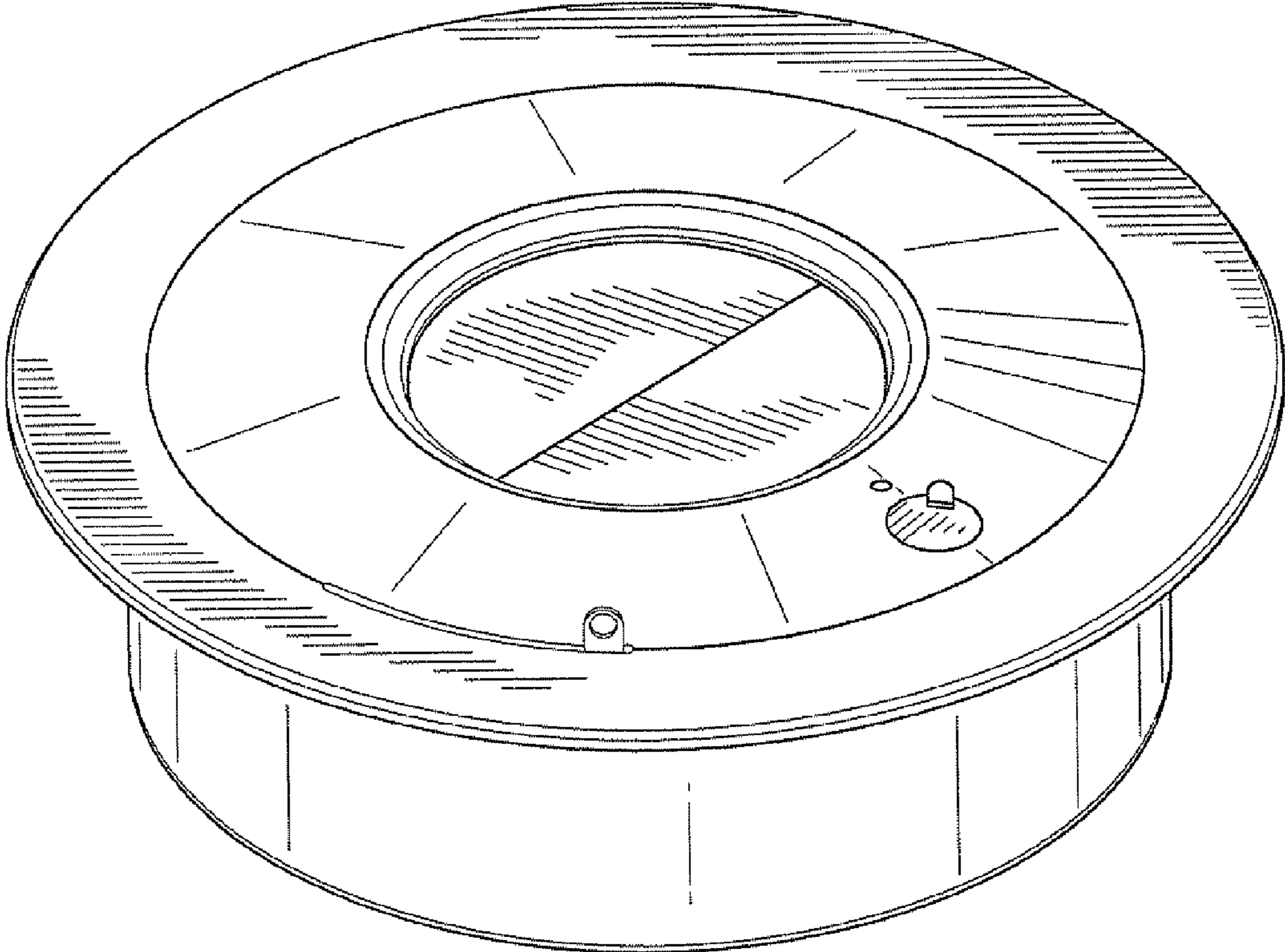


FIG. 1

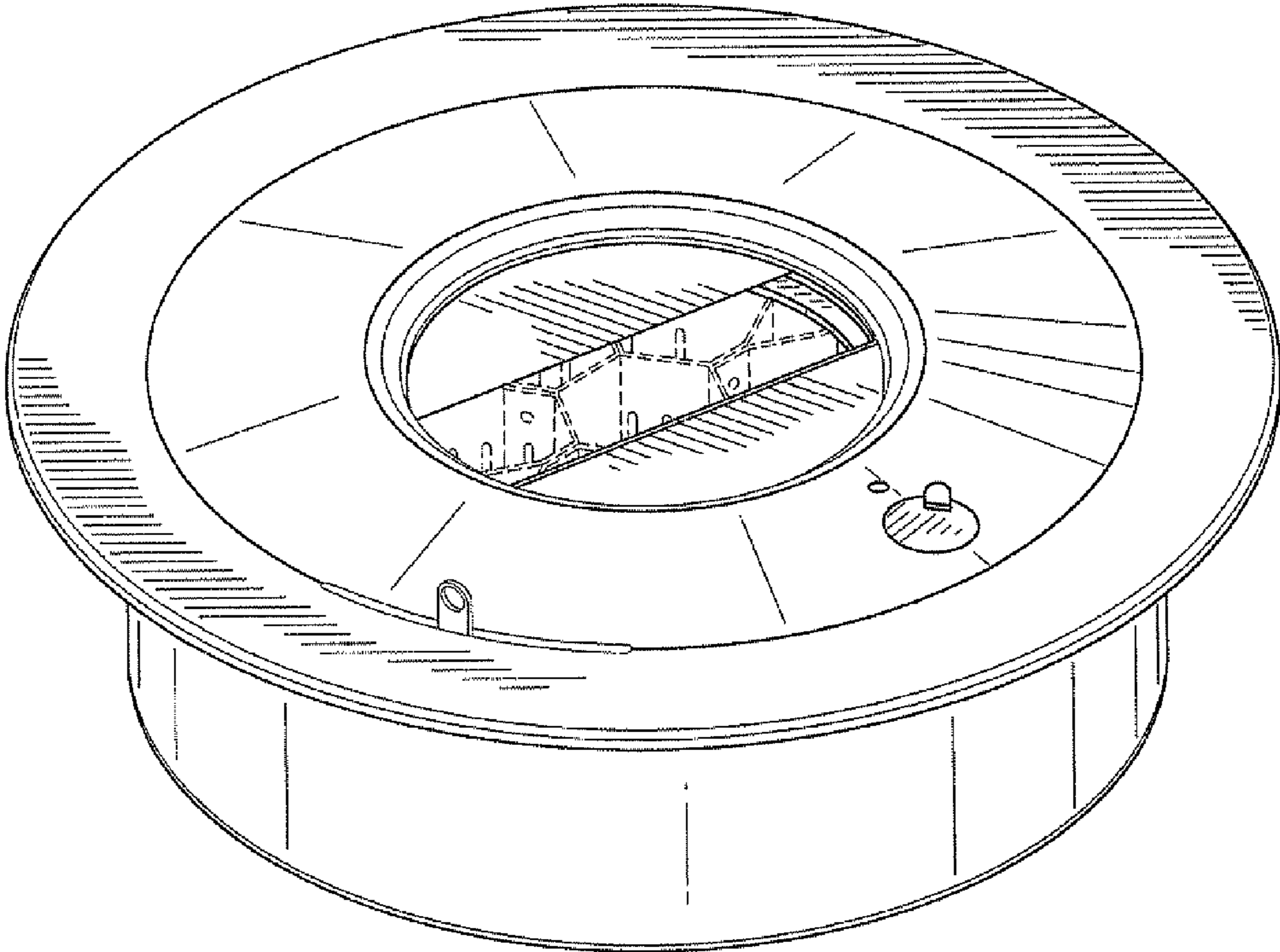


FIG.2



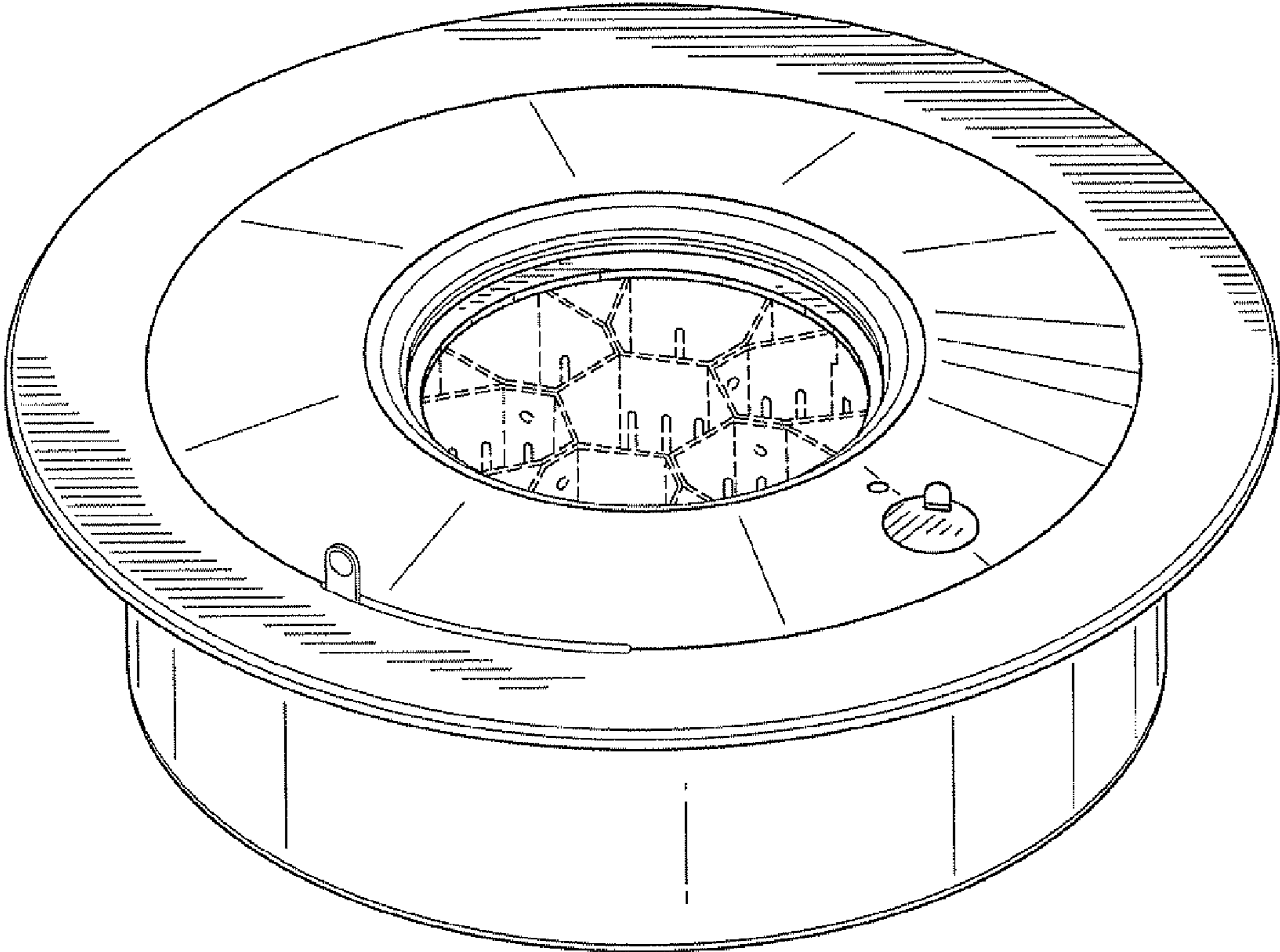


FIG.3

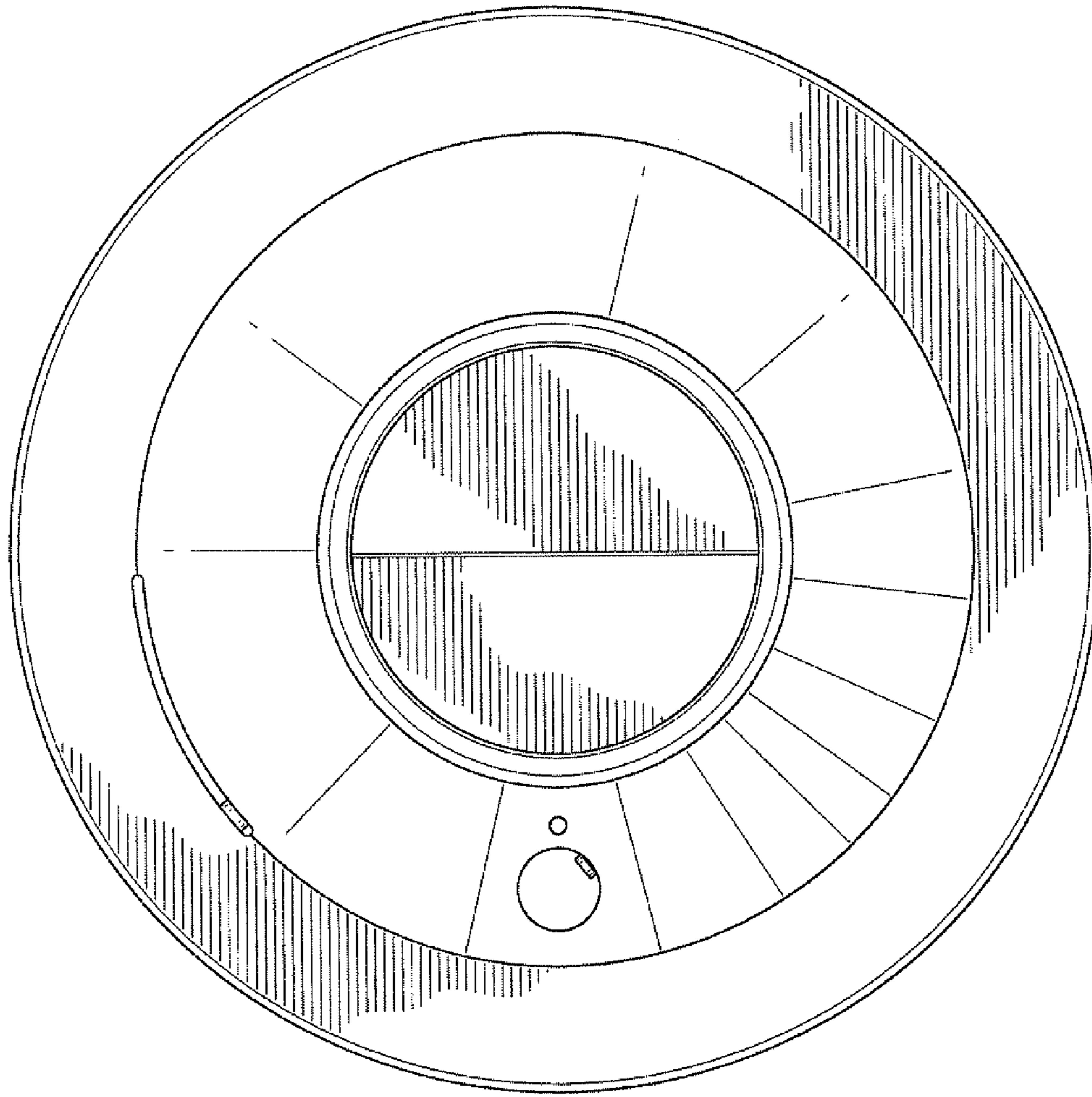


FIG.4

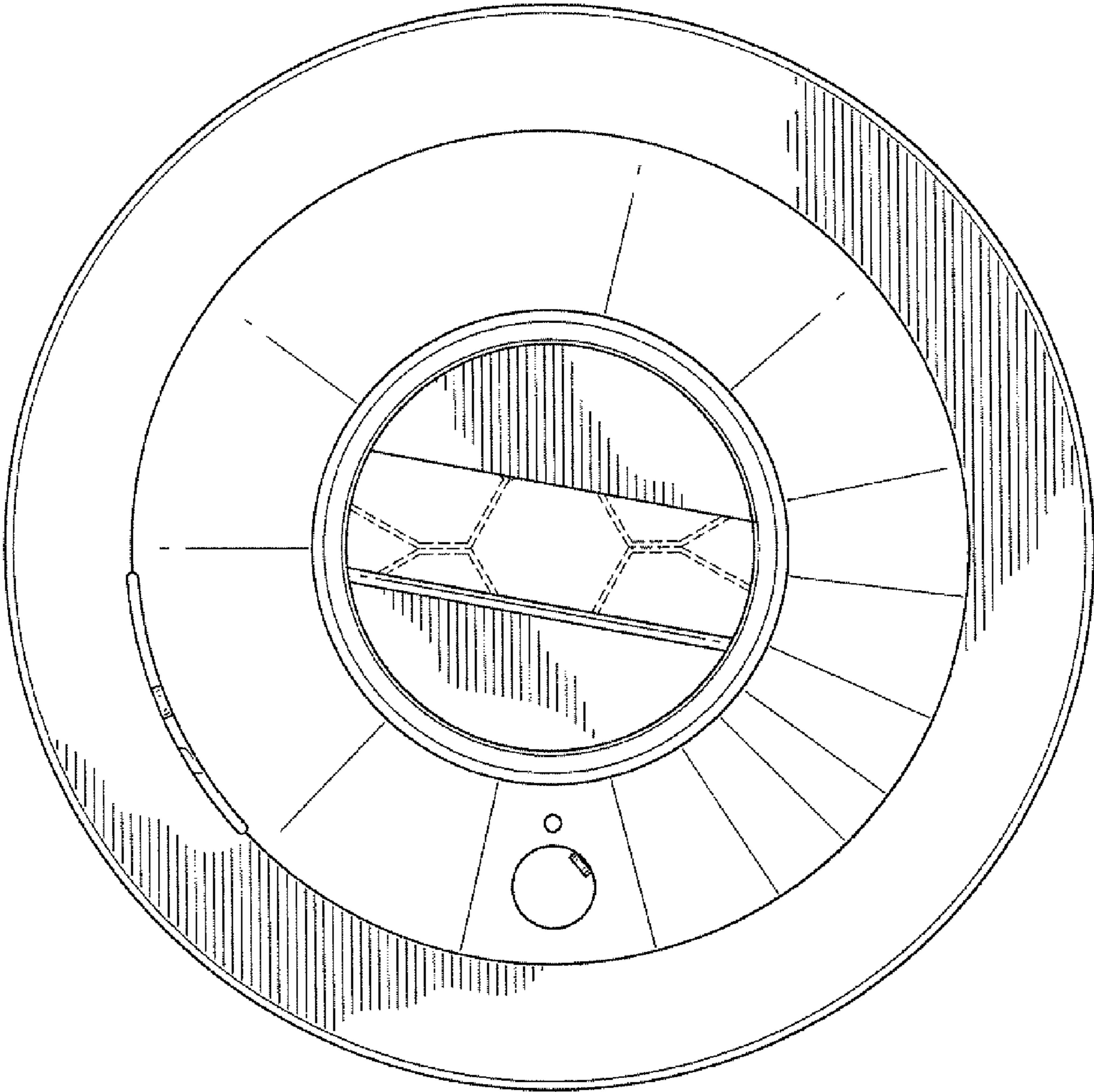


FIG.5

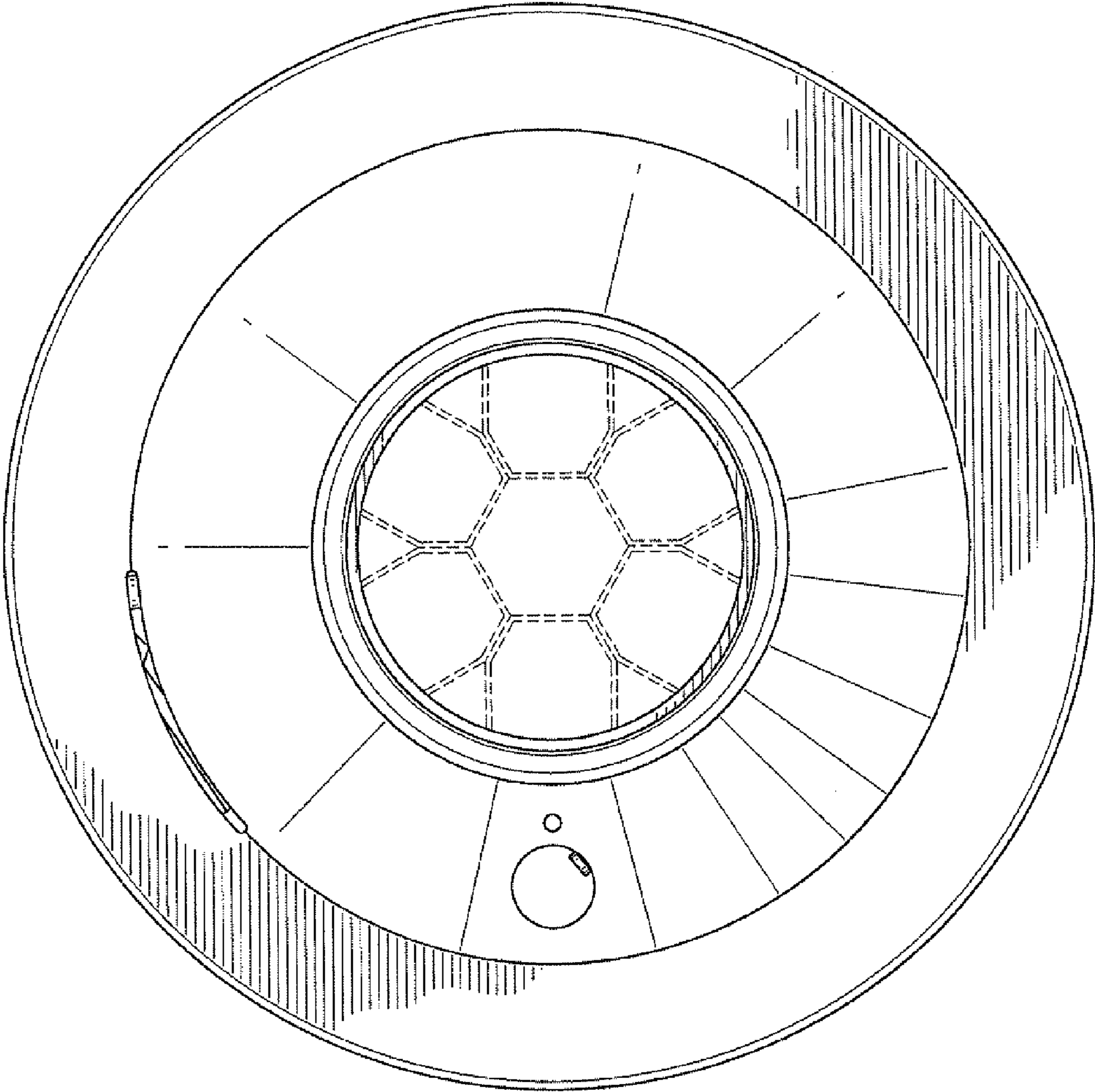


FIG.6



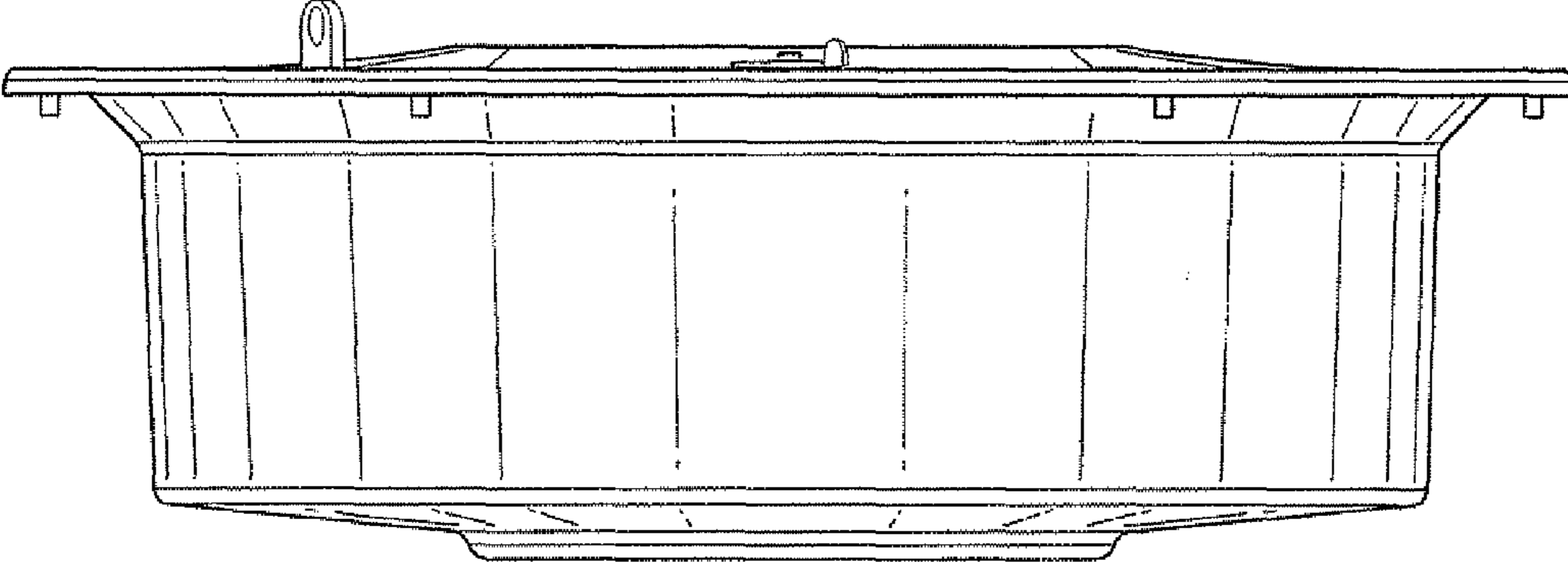


FIG. 7

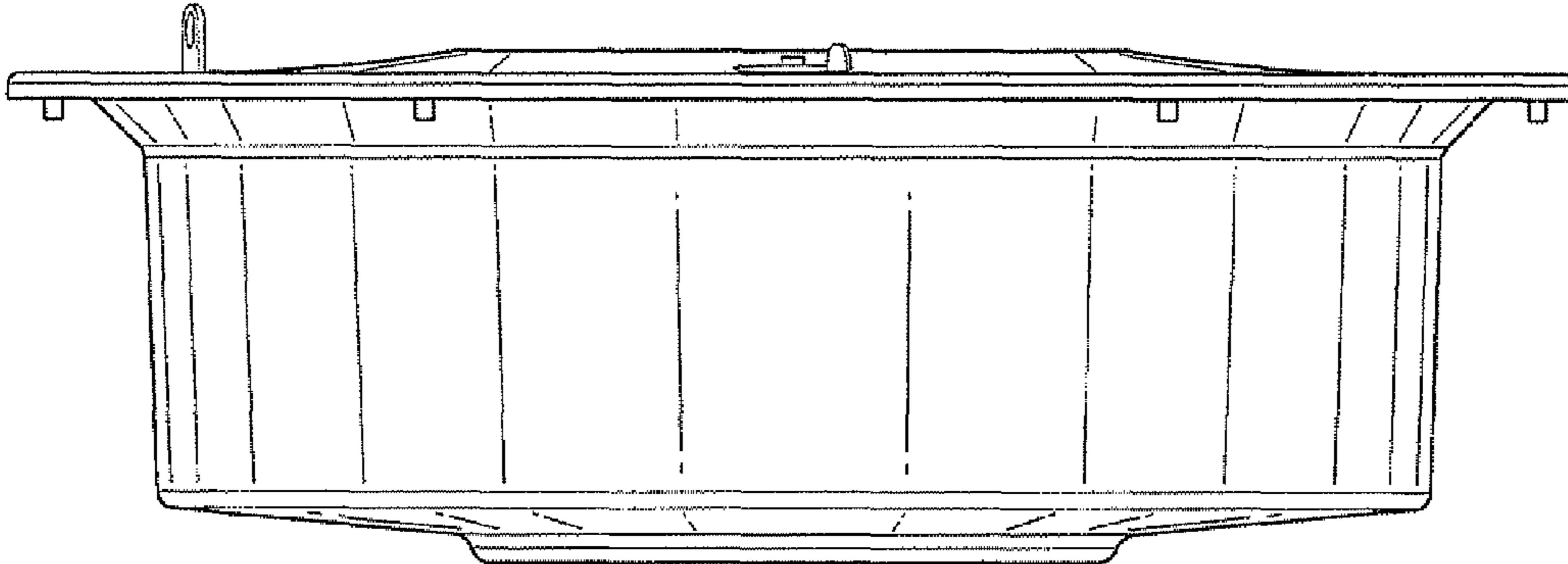


FIG. 8

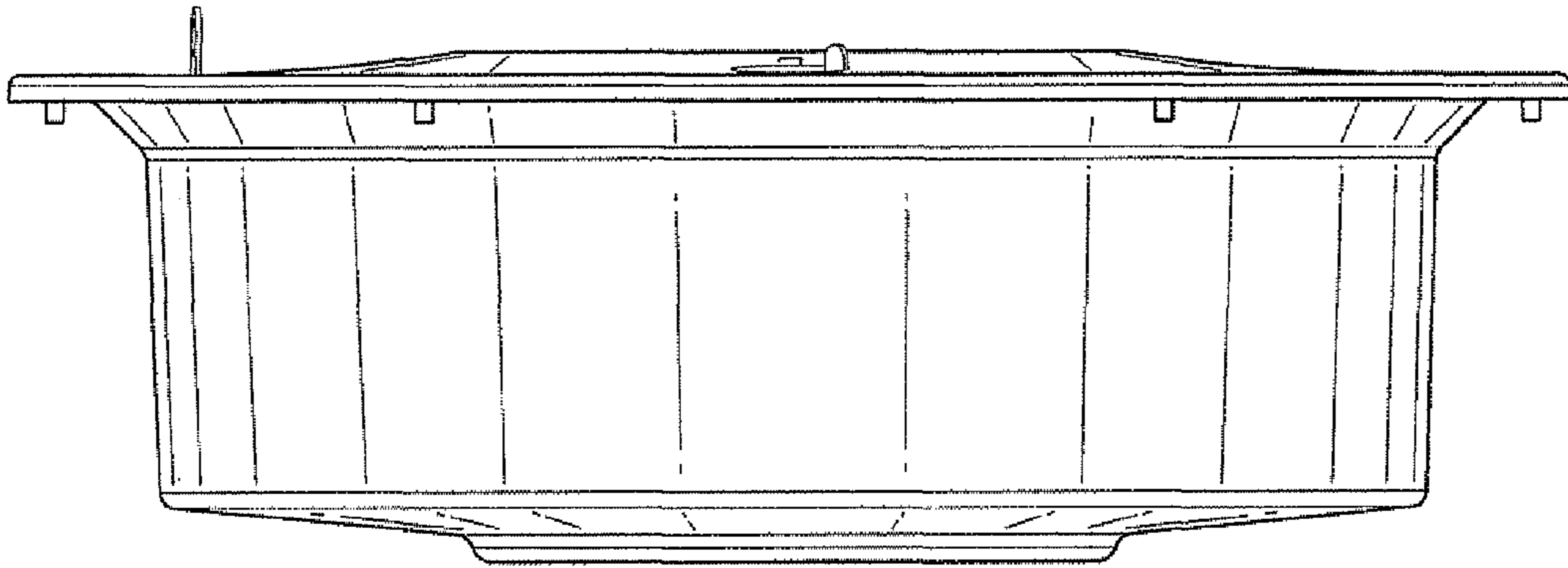


FIG. 9

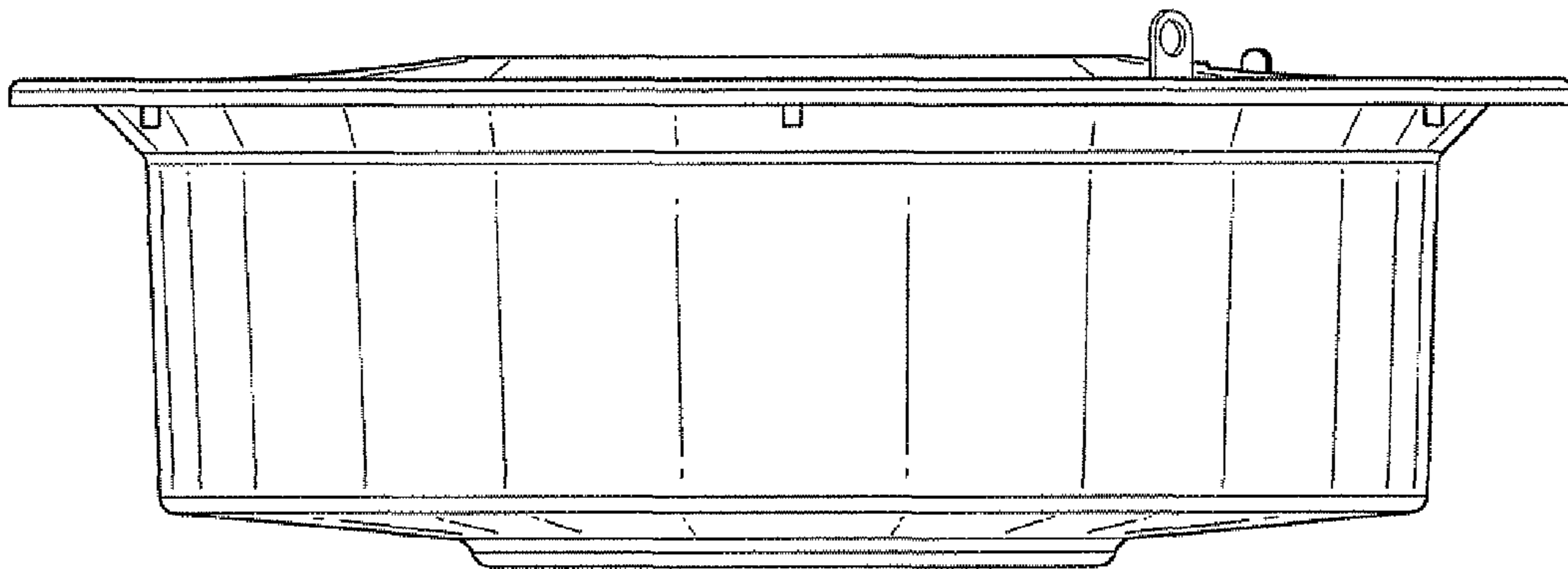


FIG. 10

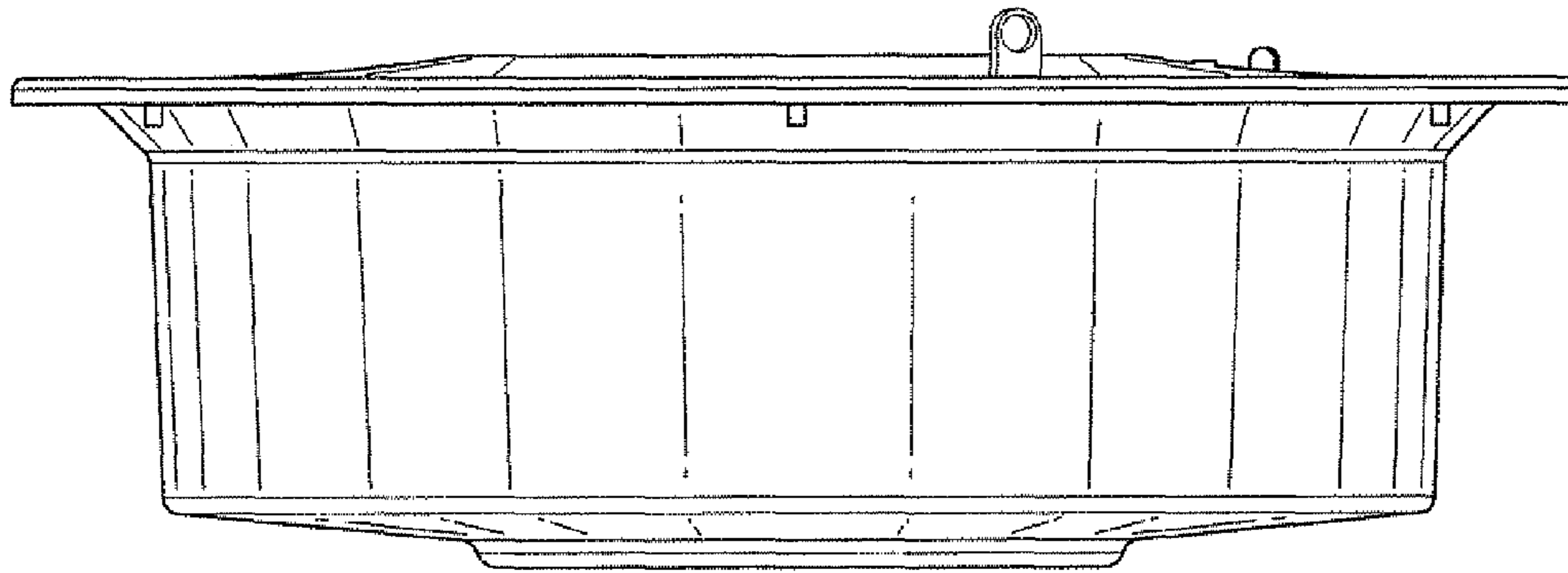


FIG. 11

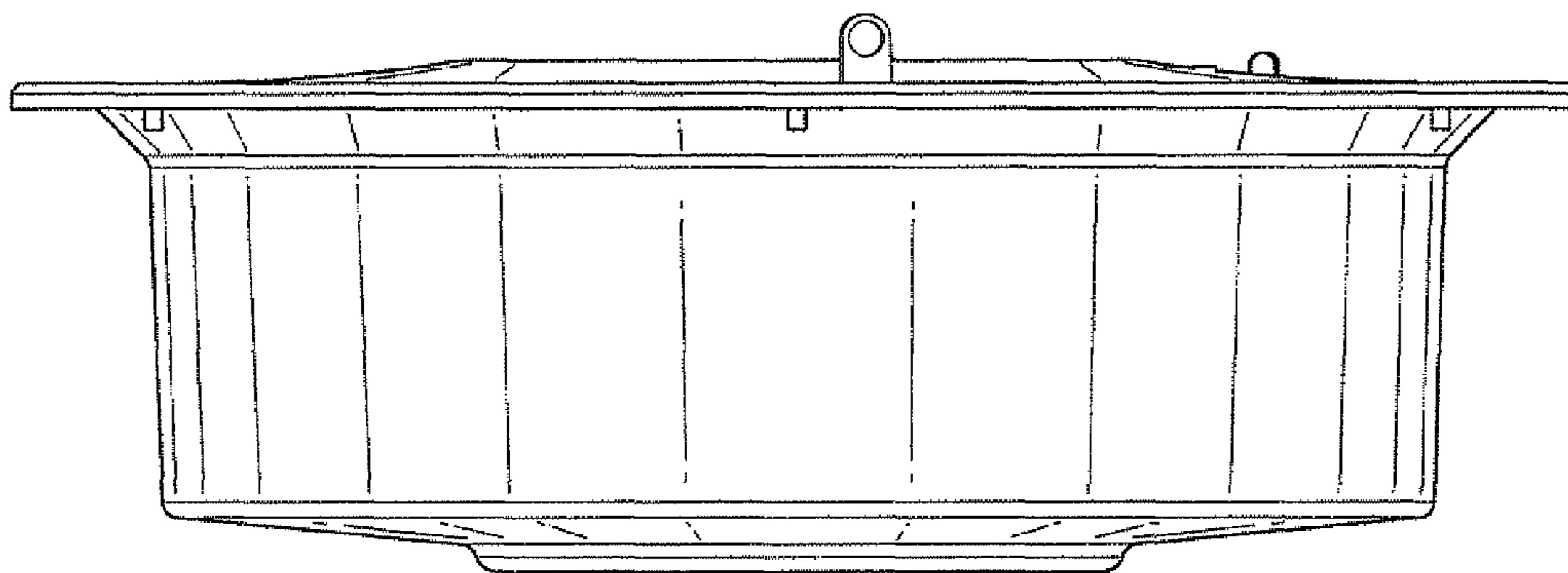


FIG. 12

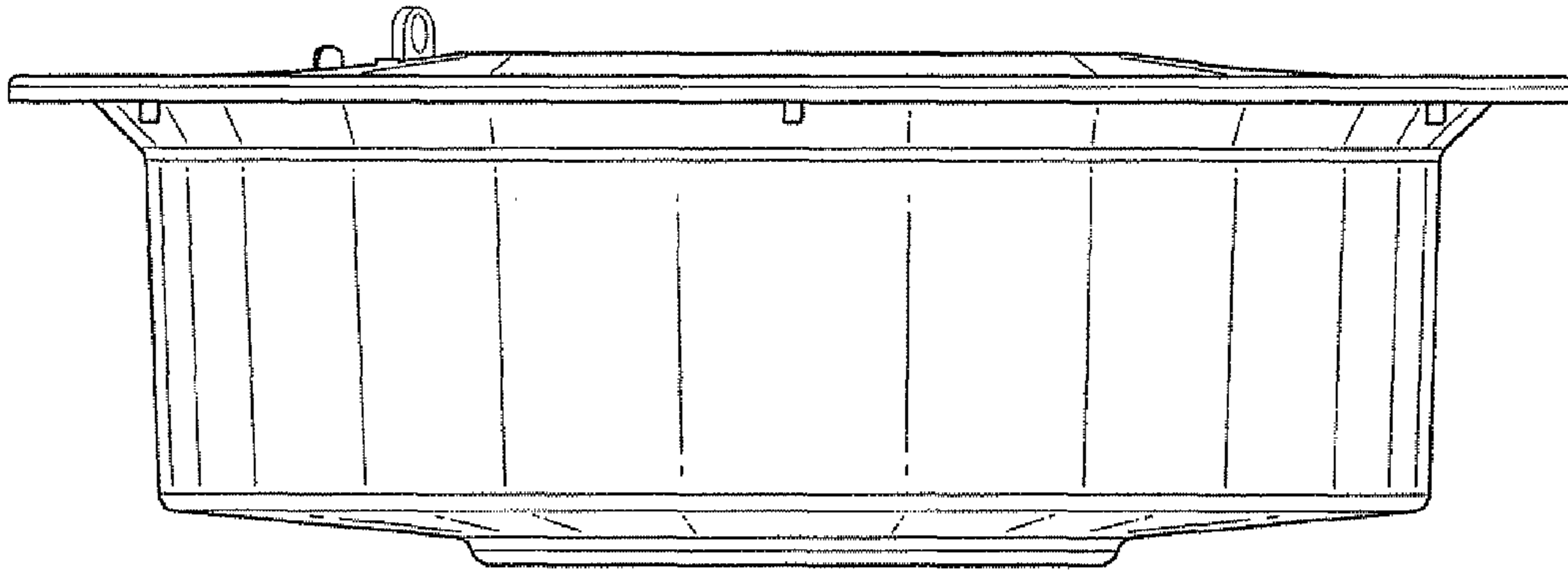


FIG. 13

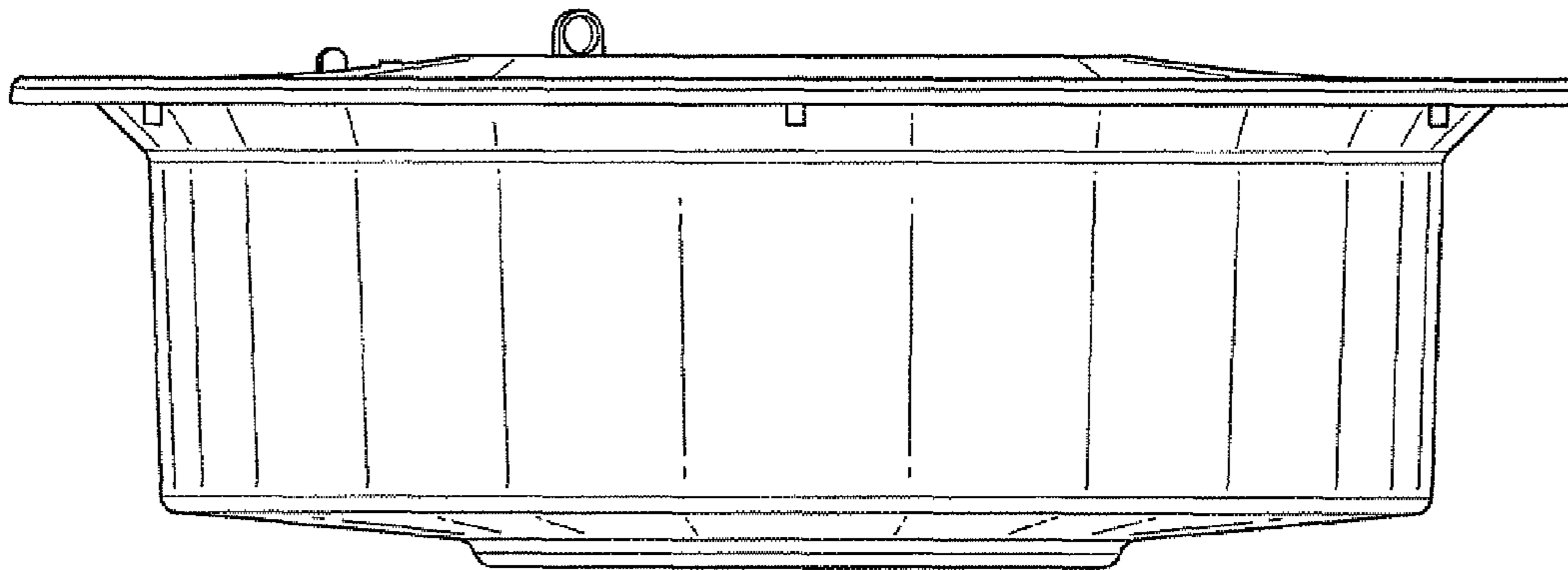


FIG. 14

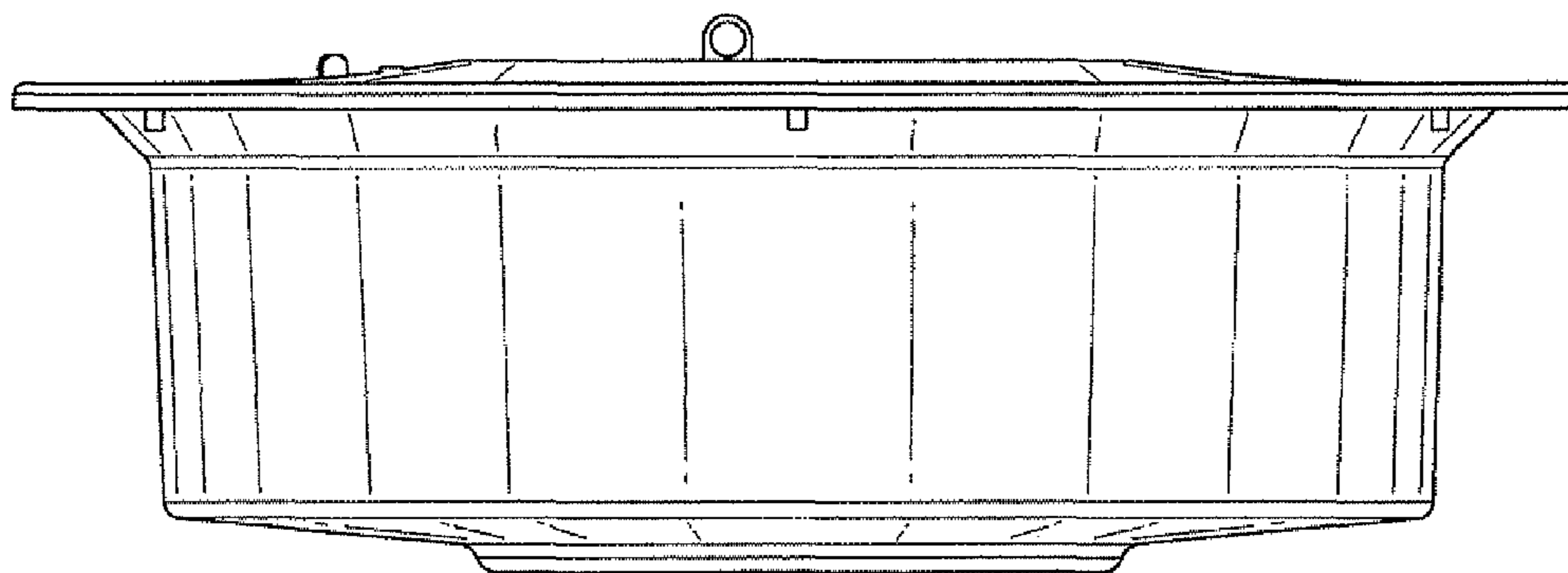


FIG.15

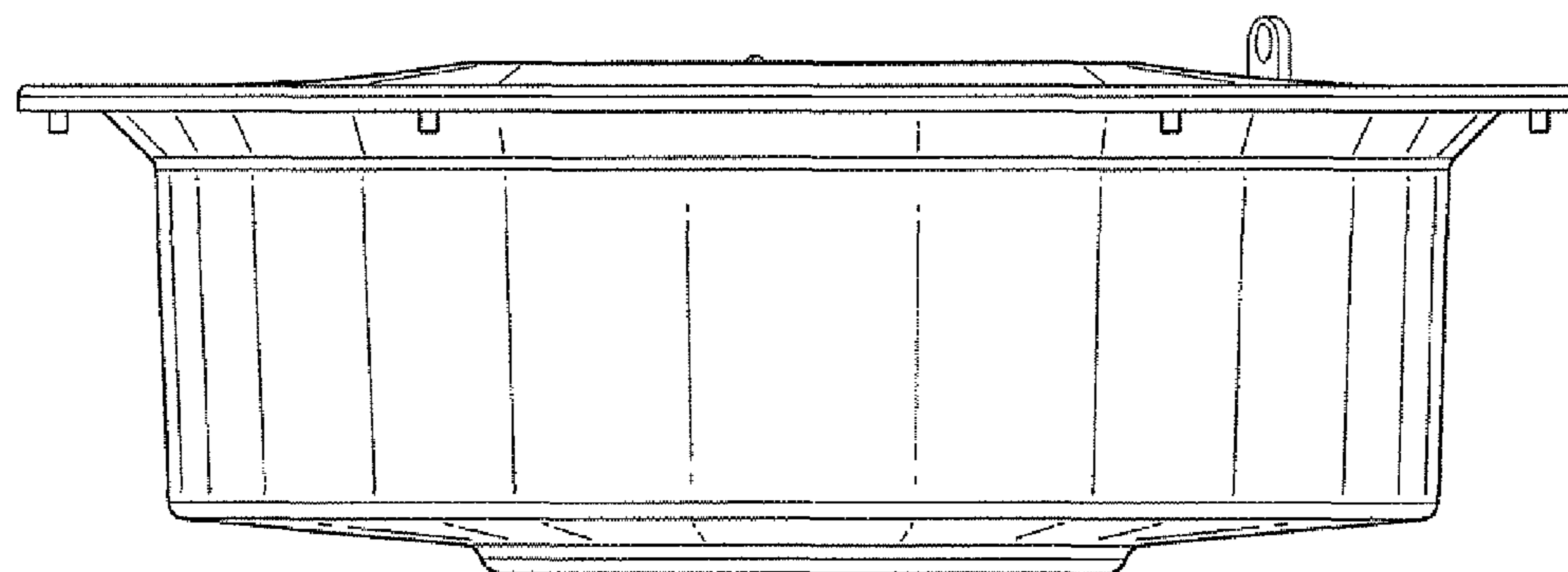


FIG.16



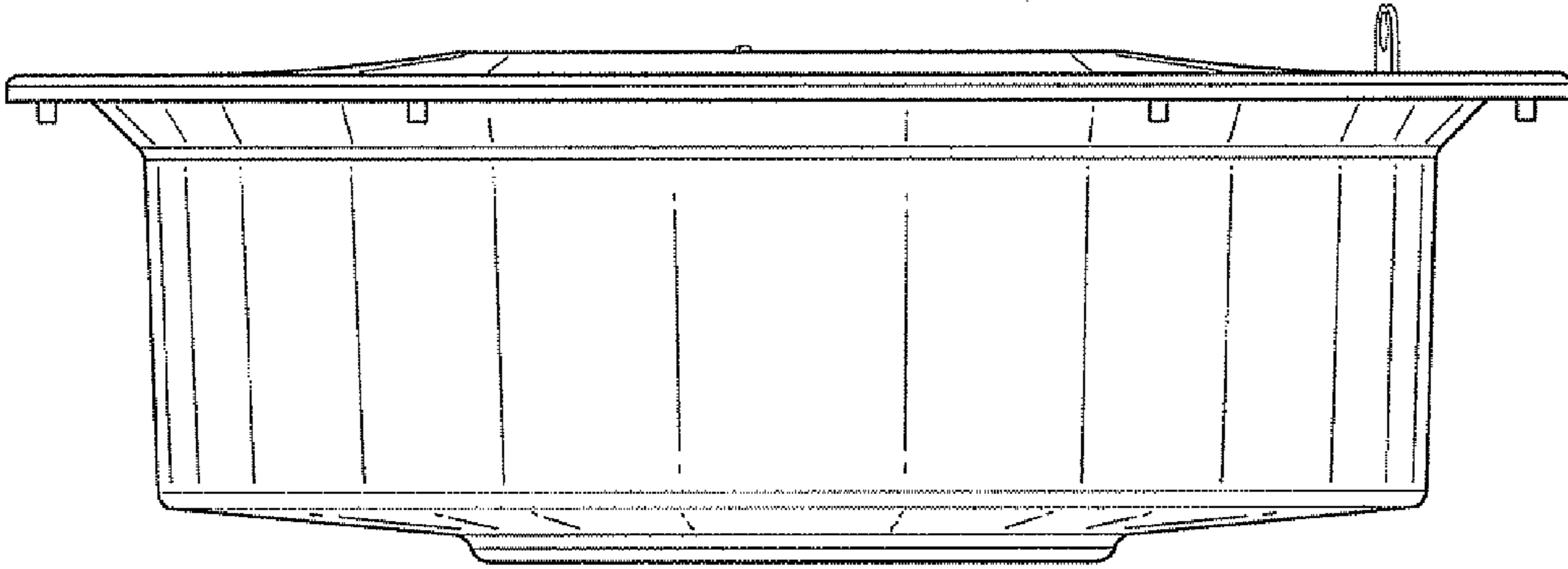


FIG.17

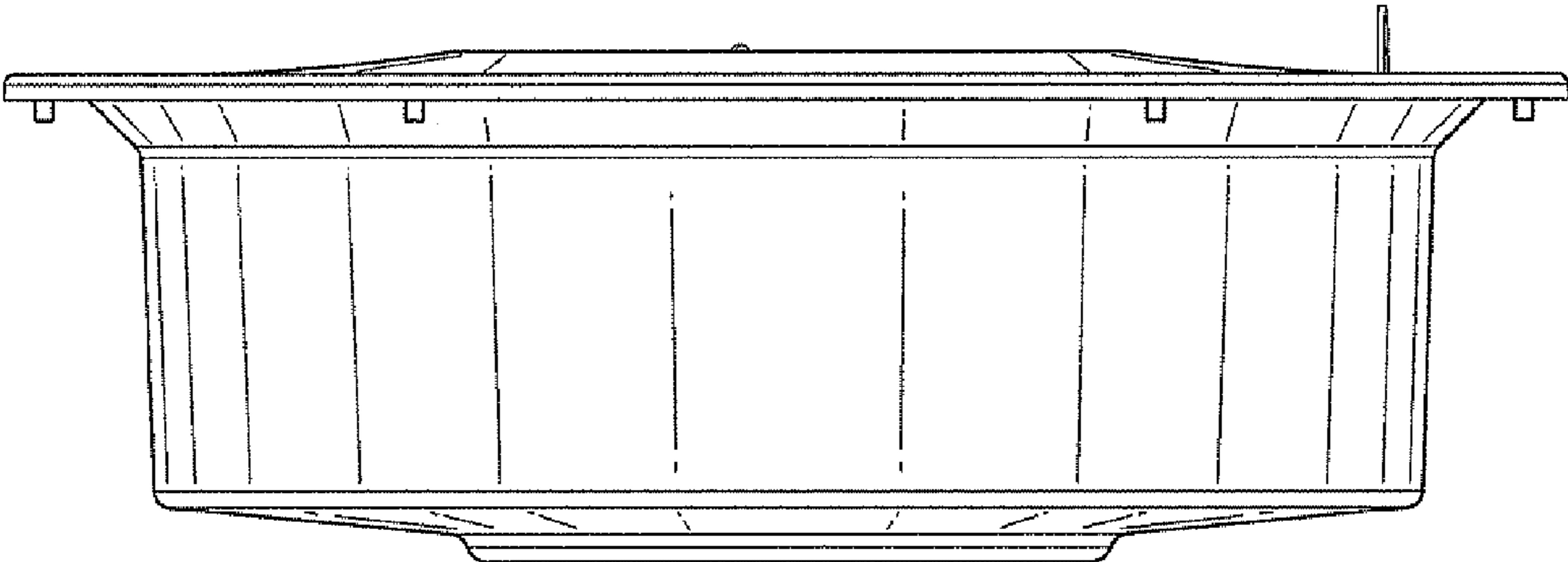


FIG.18

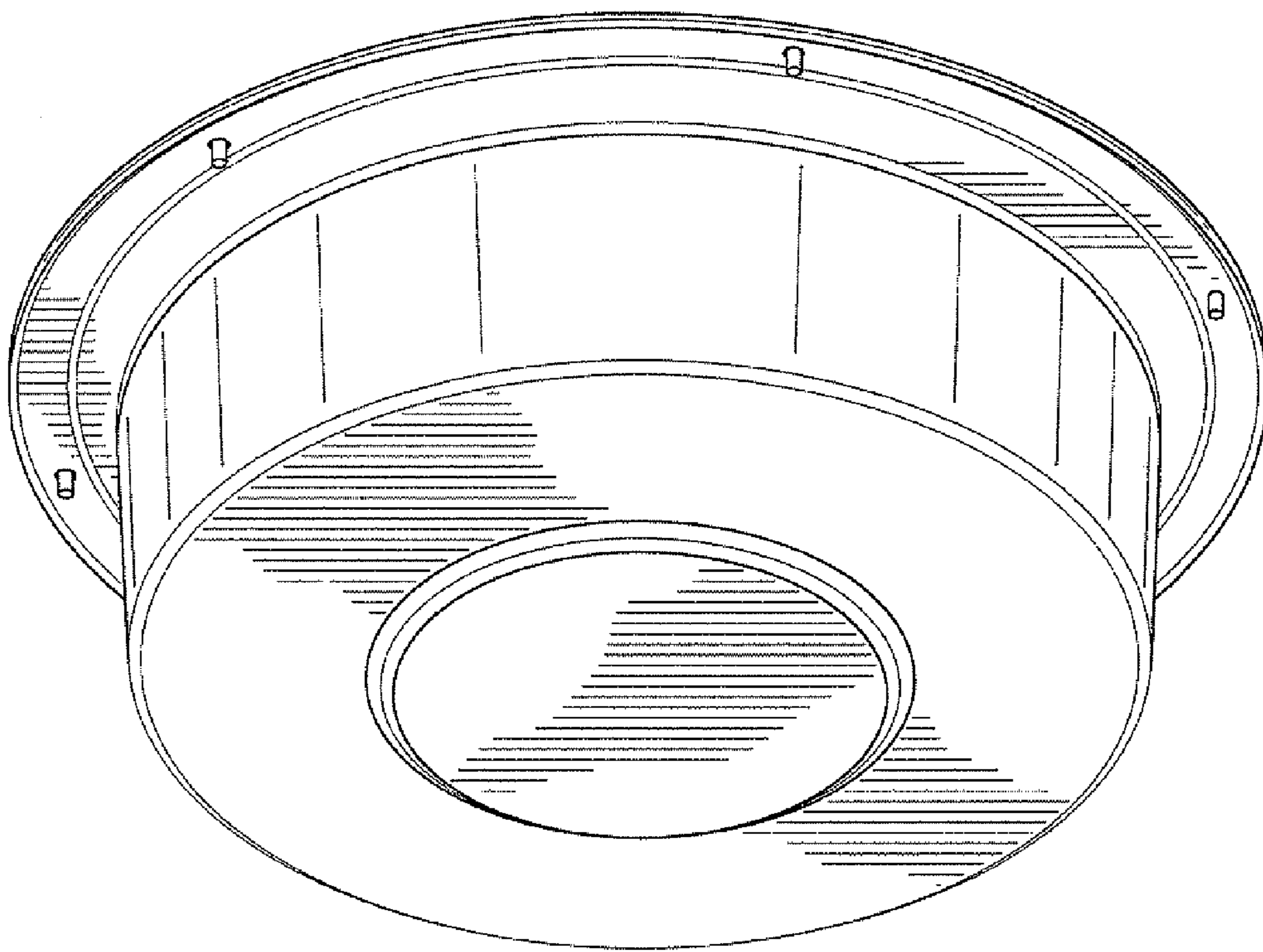


FIG. 19

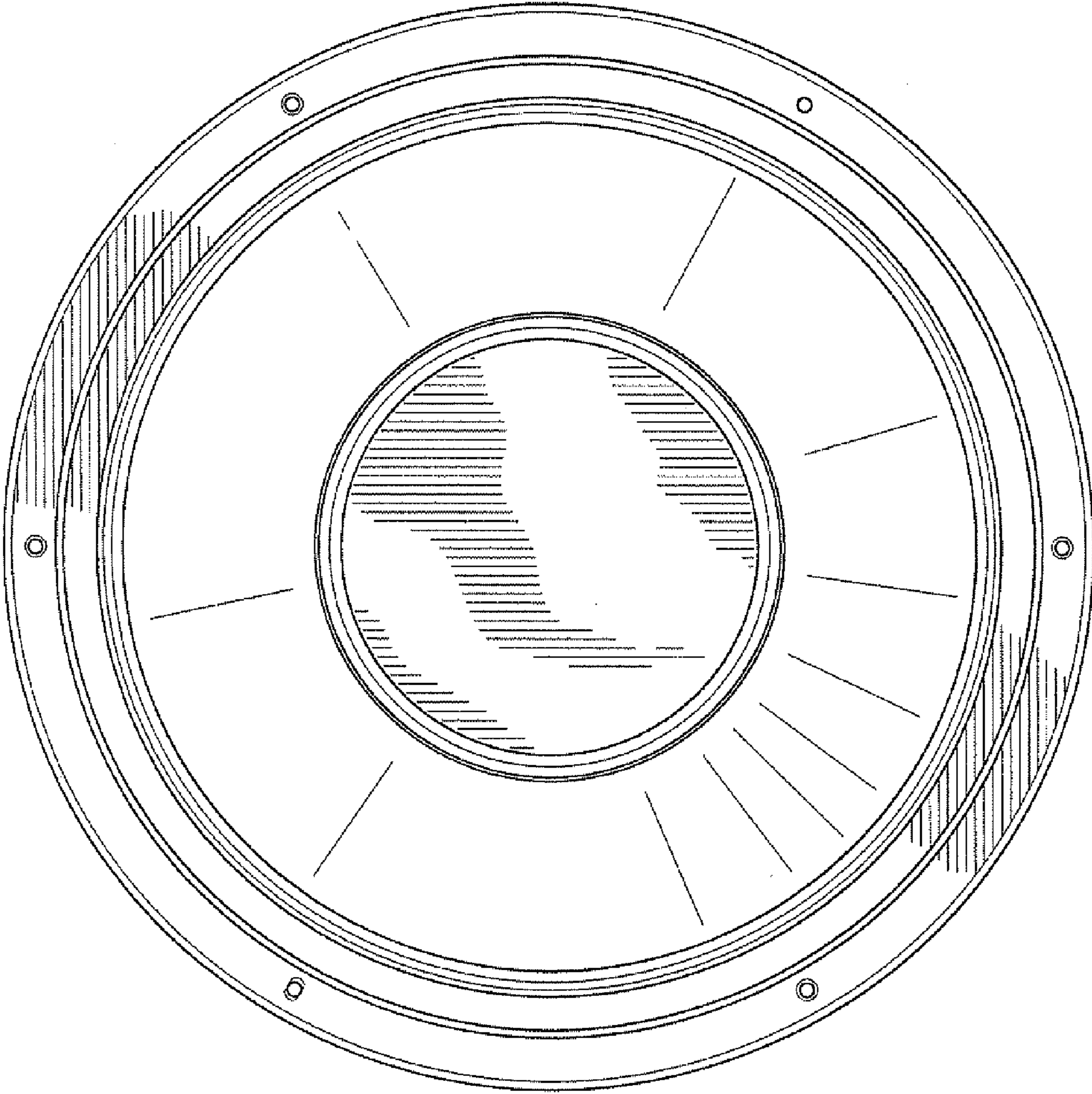


FIG.20