



US00D617889S

(12) **United States Design Patent**
Miyake

(10) **Patent No.:** **US D617,889 S**
(45) **Date of Patent:** **** Jun. 15, 2010**

(54) **CEILING VENTILATING FAN**

FOREIGN PATENT DOCUMENTS

(75) Inventor: **Hiroshi Miyake**, Osaka (JP)

JP D1092515 12/2000

* cited by examiner

(73) Assignee: **Panasonic Corporation**, Osaka (JP)

Primary Examiner—Lisa P Lichtenstein

(**) Term: **14 Years**

(74) *Attorney, Agent, or Firm*—Brinks Hofer Gilson & Lione

(21) Appl. No.: **29/351,080**

(57) **CLAIM**

(22) Filed: **Nov. 30, 2009**

I claim the ornamental design for a ceiling ventilating fan, as shown and described.

(51) **LOC (9) Cl.** **23-04**

DESCRIPTION

(52) **U.S. Cl.** **D23/385**

(58) **Field of Classification Search** D23/385,
D23/371, 370, 351; 454/349, 354; D26/51,
D26/59, 72, 81–88

FIG. 1 is a front perspective view of a ceiling ventilating fan of the present invention;

FIG. 2 is a front view thereof;

FIG. 3 is a rear view thereof;

FIG. 4 is a first side view thereof;

FIG. 5 is a second side view thereof;

FIG. 6 is a top view thereof;

FIG. 7 is a bottom view thereof; and,

FIG. 8 is a cross-section view taken along the line 8—8 of FIG. 2.

See application file for complete search history.

The broken line showing of ceiling ventilating fan is included for the purpose of illustrating environment and forms no part of the claimed design.

(56) **References Cited**

U.S. PATENT DOCUMENTS

D387,859 S	12/1997	Ukai et al.	
D401,682 S *	11/1998	Galeazzi et al.	D23/351
D426,292 S	6/2000	Nanjo	
D433,116 S	10/2000	Han et al.	
D541,927 S	5/2007	Yamanaka et al.	
D577,431 S *	9/2008	Miyake et al.	D23/385
D581,516 S	11/2008	Koury et al.	

1 Claim, 8 Drawing Sheets

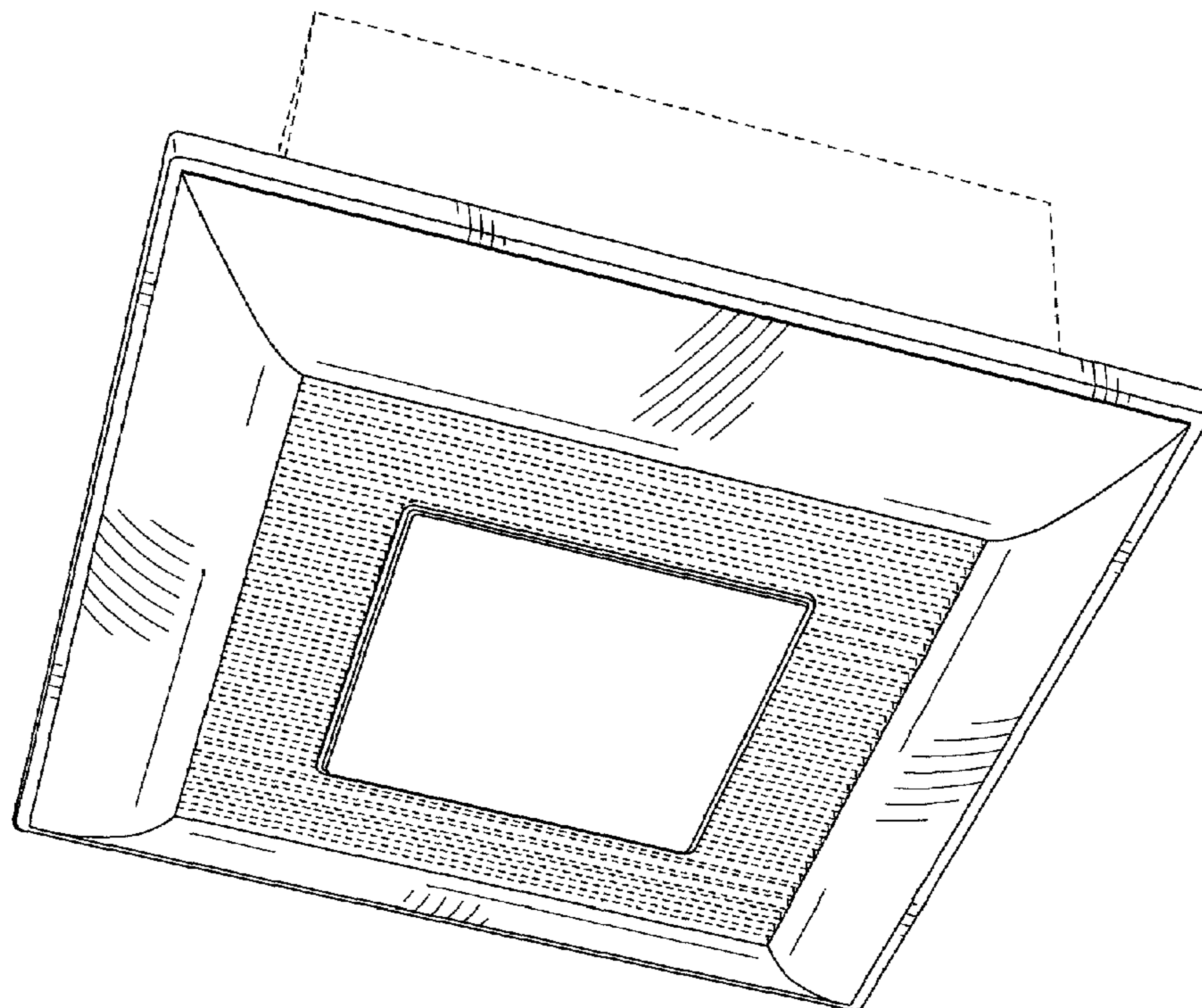


FIG.1

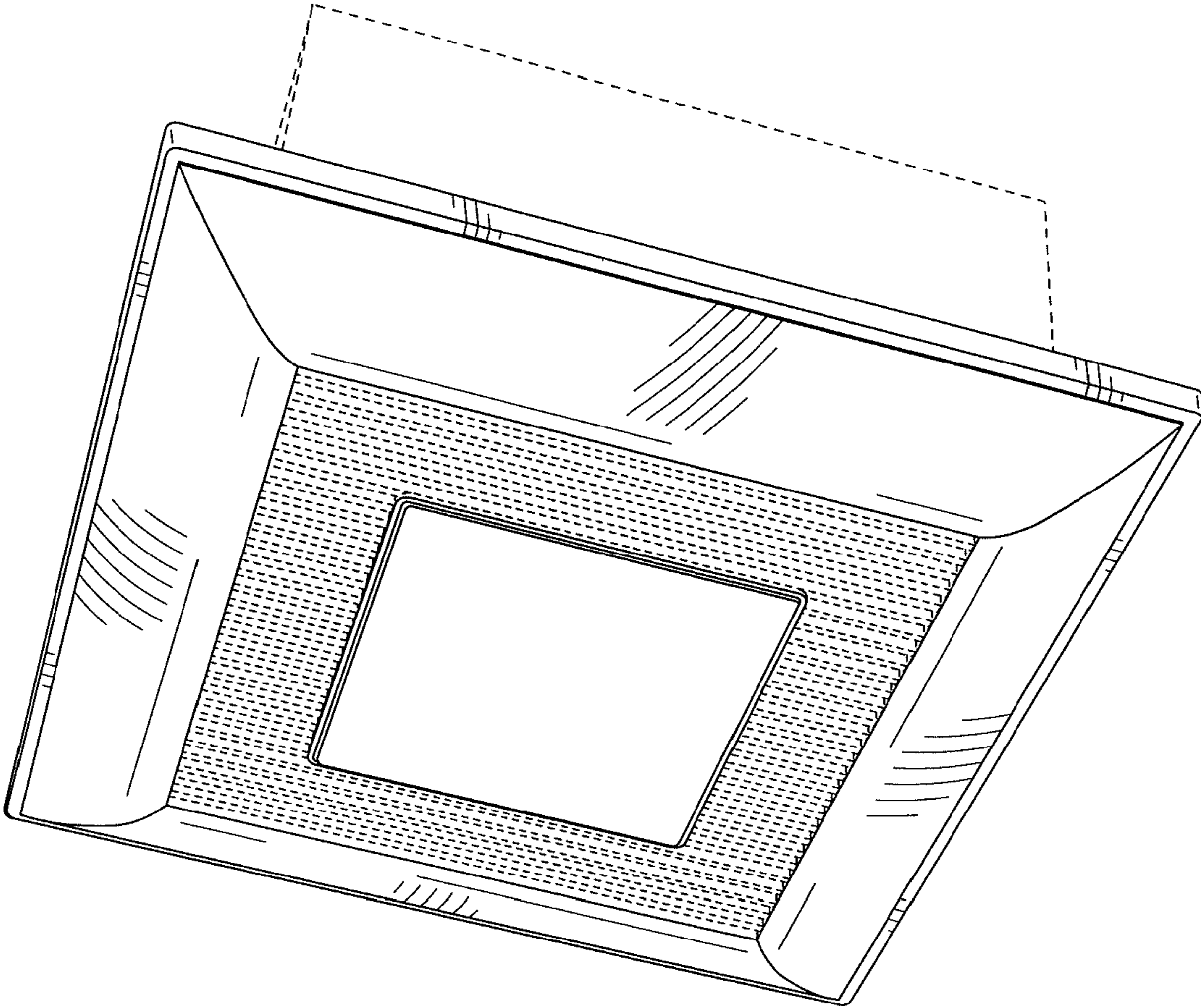
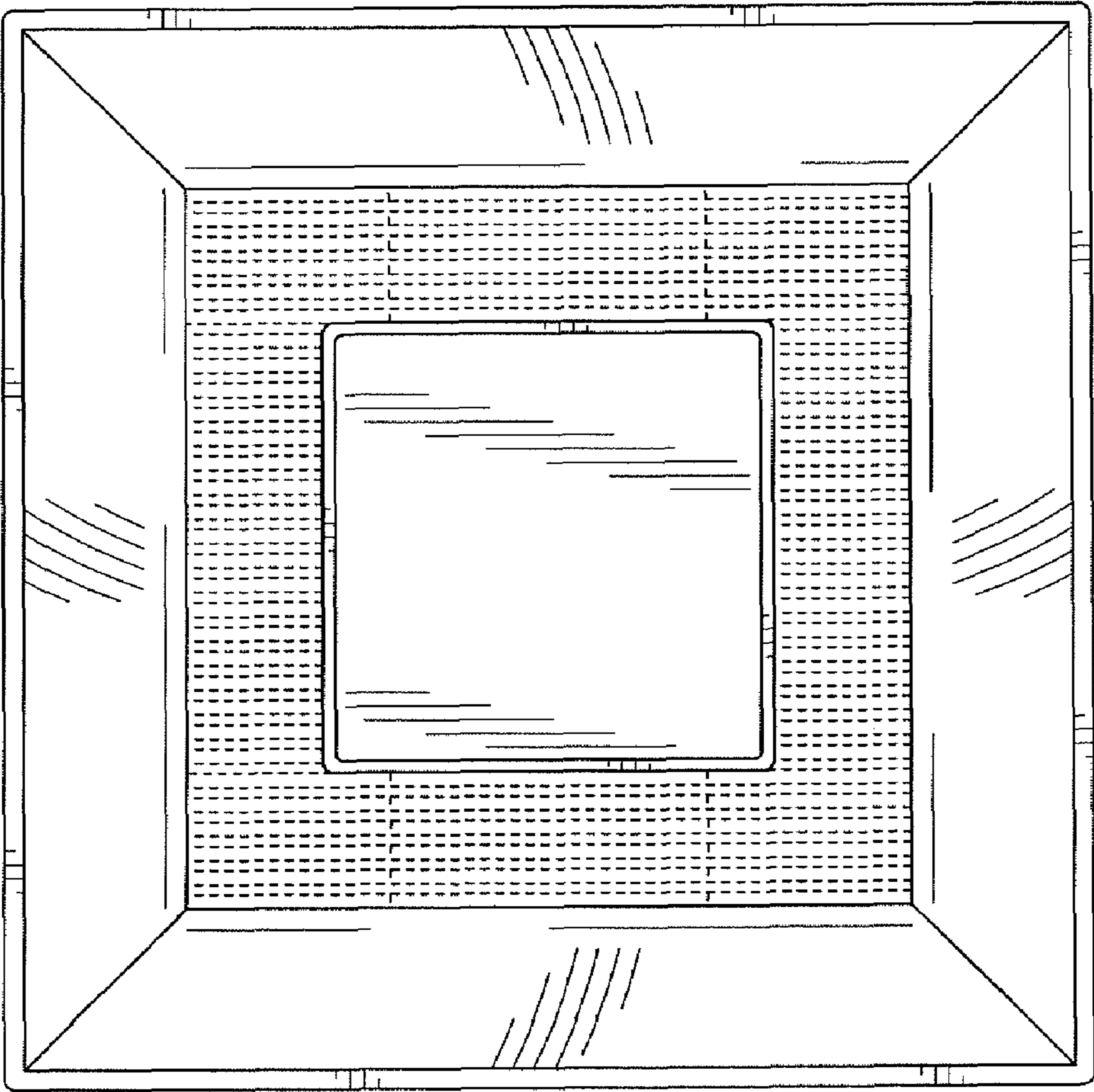


FIG.2

8 ←



8 ←

FIG.3

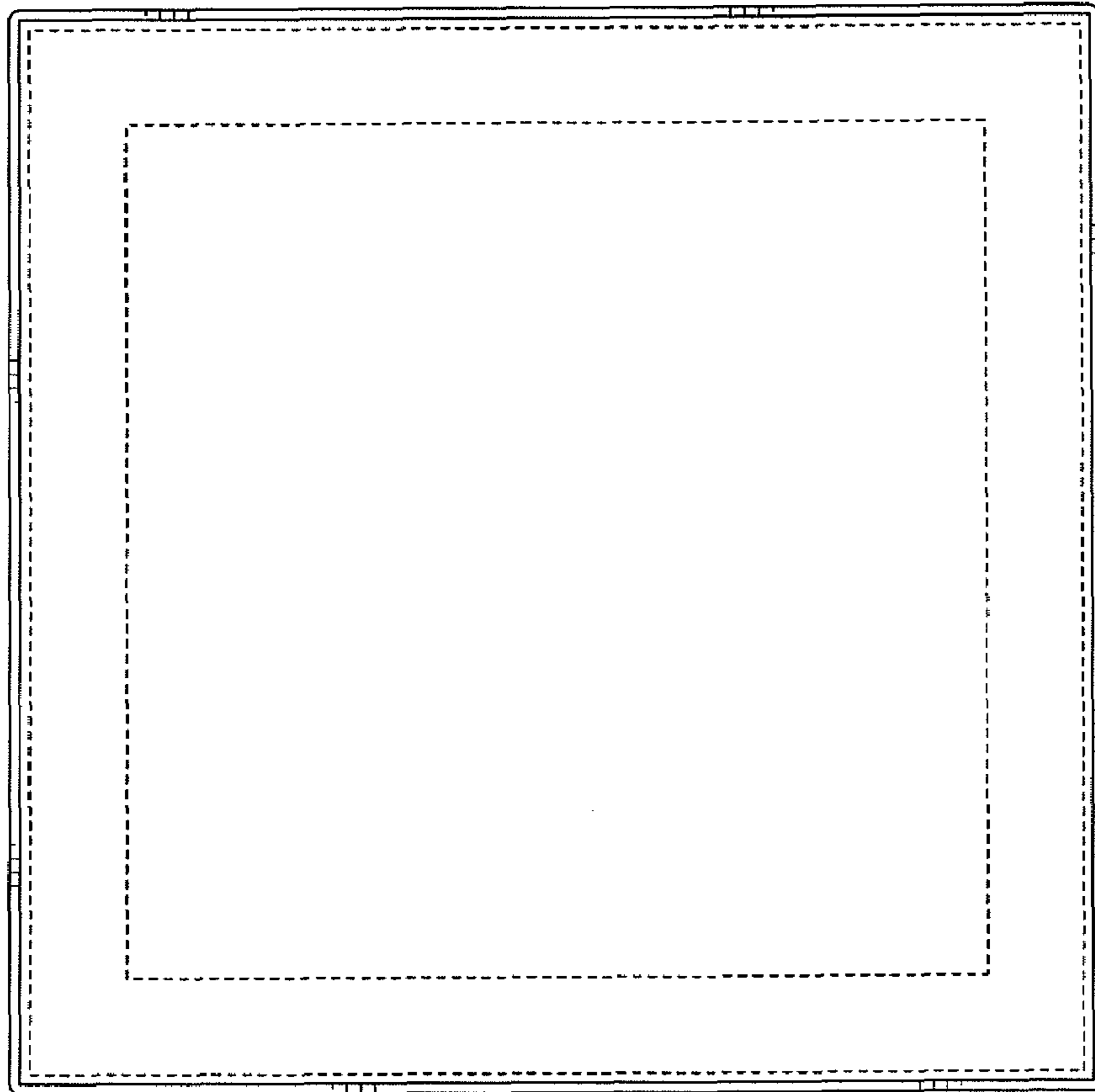


FIG.4

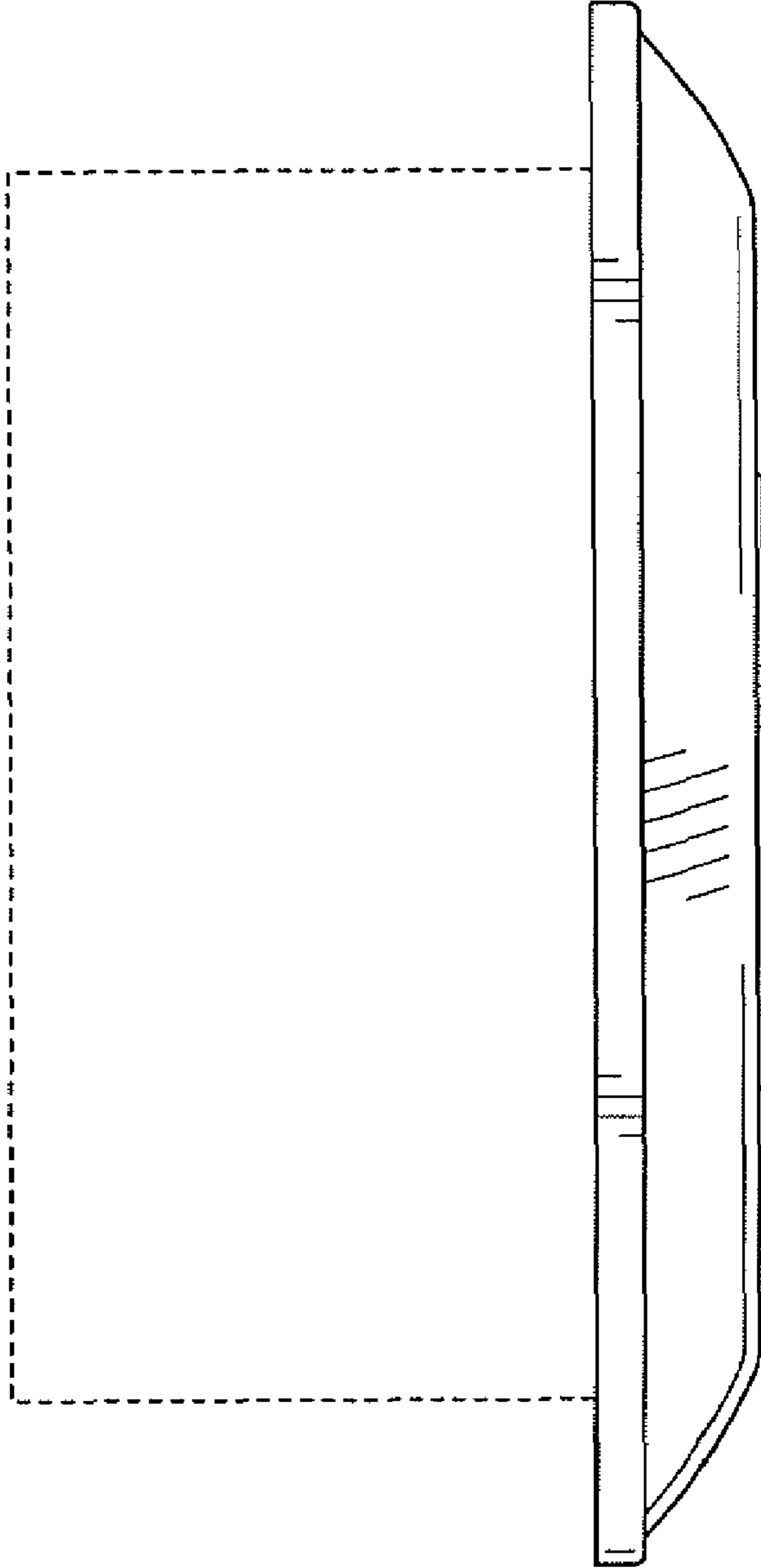


FIG.5

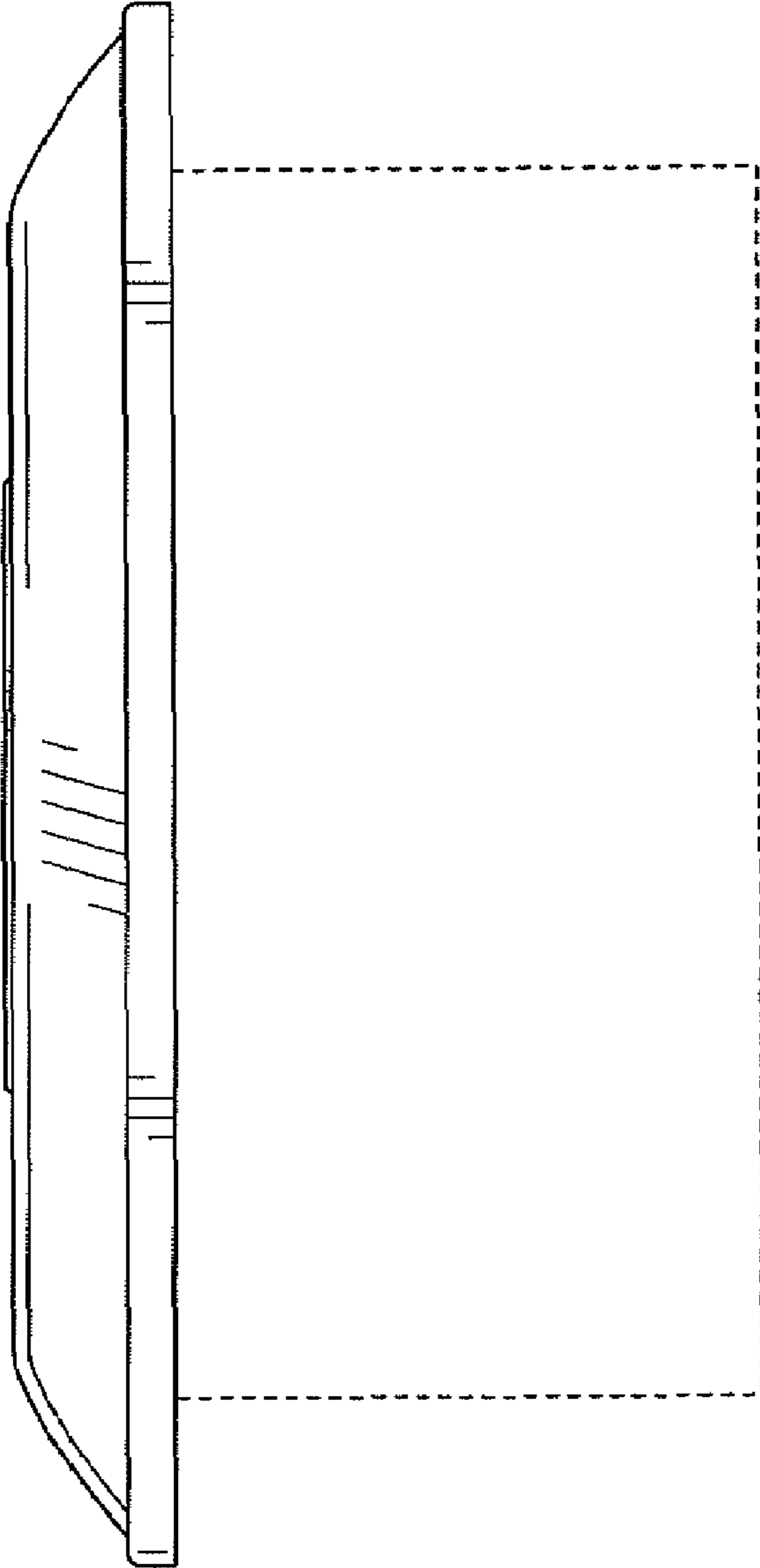


FIG.6

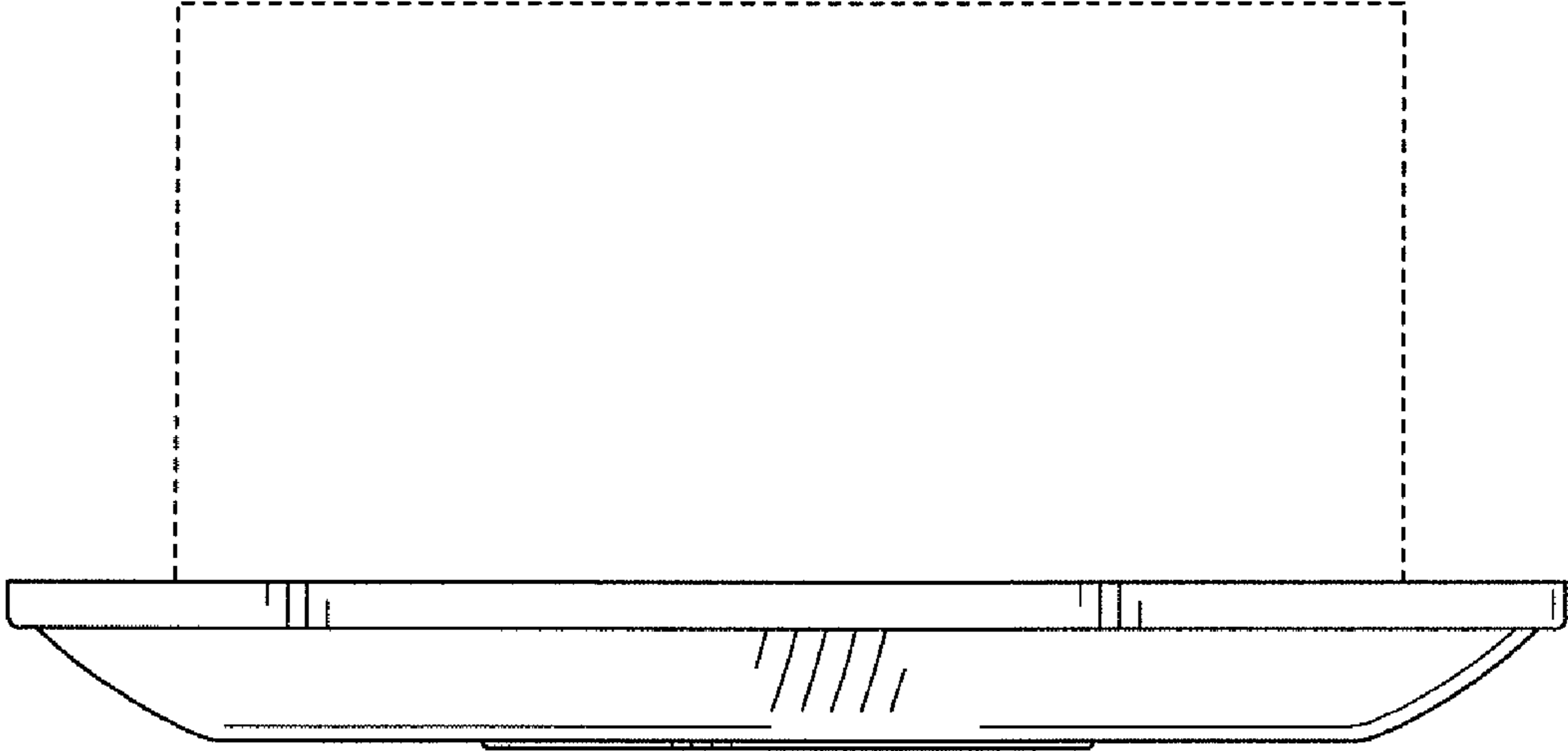


FIG.7

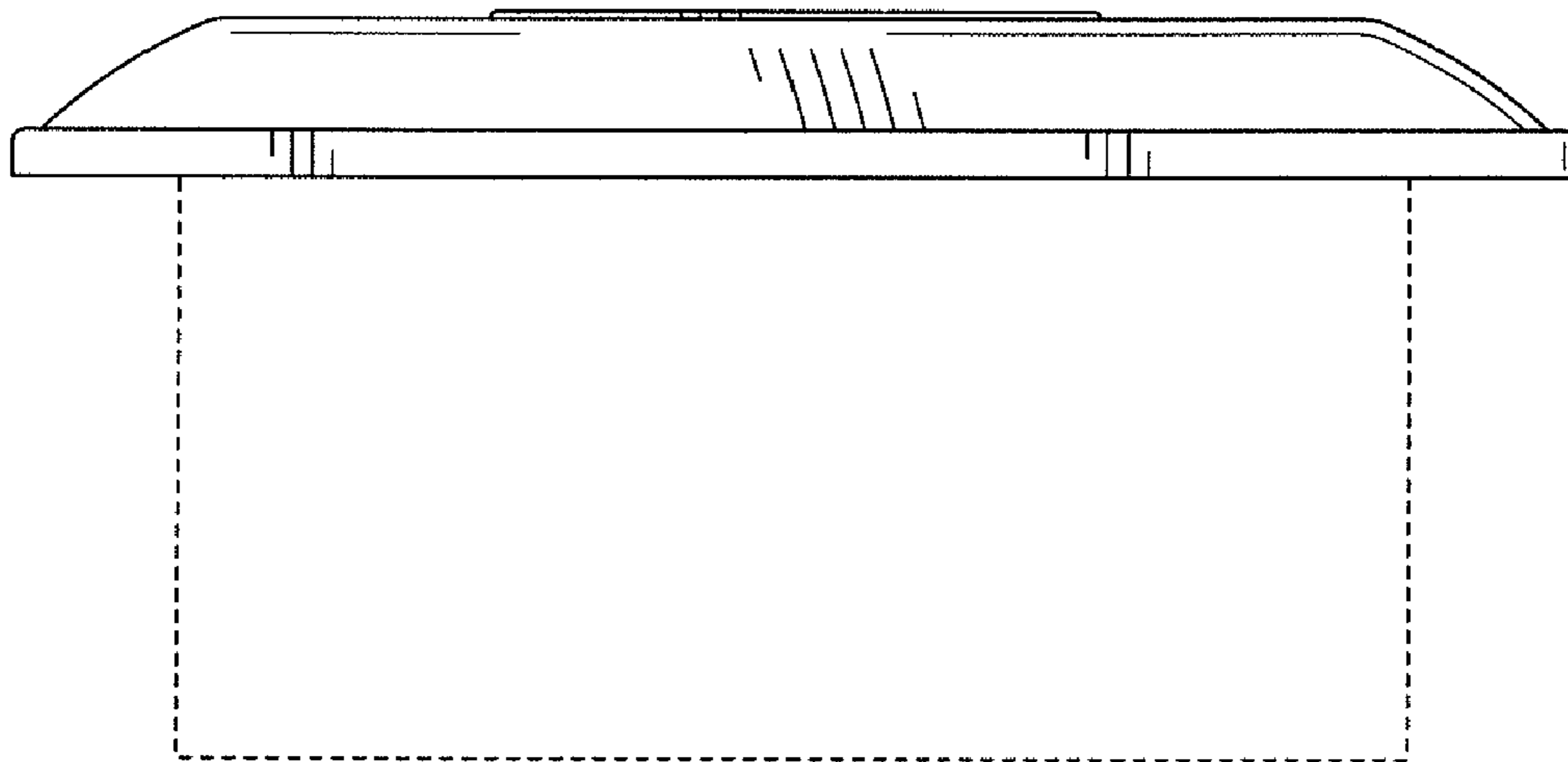


FIG.8

