



US00D617888S

(12) **United States Design Patent**  
**Roo et al.**

(10) **Patent No.:** **US D617,888 S**  
(45) **Date of Patent:** **\*\* Jun. 15, 2010**

(54) **DUAL-HEAD CEILING FAN**  
(75) Inventors: **Allen W. Roo**, Dardenne Prairie, MO  
(US); **Bethany L. Klausning**, Hazelwood,  
MO (US)  
(73) Assignee: **Emerson Electric Co.**, St. Louis, MO  
(US)  
(\*\*) Term: **14 Years**

D519,204 S 4/2006 Spina et al.  
7,052,242 B2 5/2006 Chen  
D523,548 S 6/2006 Hidalgo et al.  
D523,549 S 6/2006 Hidalgo et al.  
D523,550 S 6/2006 Hidalgo et al.  
D523,983 S 6/2006 Hidalgo et al.  
D524,438 S 7/2006 Hidalgo et al.  
7,077,629 B2 7/2006 Chen  
D526,059 S 8/2006 Hidalgo et al.

(21) Appl. No.: **29/326,196**

(Continued)

(22) Filed: **Oct. 14, 2008**

**OTHER PUBLICATIONS**

(51) **LOC (9) Cl.** ..... **23-04**  
(52) **U.S. Cl.** ..... **D23/377**  
(58) **Field of Classification Search** ..... D23/377,  
D23/379, 385, 411, 413; 416/5  
See application file for complete search history.

Fanimation Inc. "The Palisade." FANIMATION.COM [retrieved from the Internet on Mar. 11, 2009 using <URL: http://fanimation.com/products/palisade>].

*Primary Examiner*—Lisa P Lichtenstein  
(74) *Attorney, Agent, or Firm*—Locke Lord Bissell & Liddell LLP

(56) **References Cited**

(57) **CLAIM**

**U.S. PATENT DOCUMENTS**

The ornamental design for a dual-head ceiling fan, as shown and described.

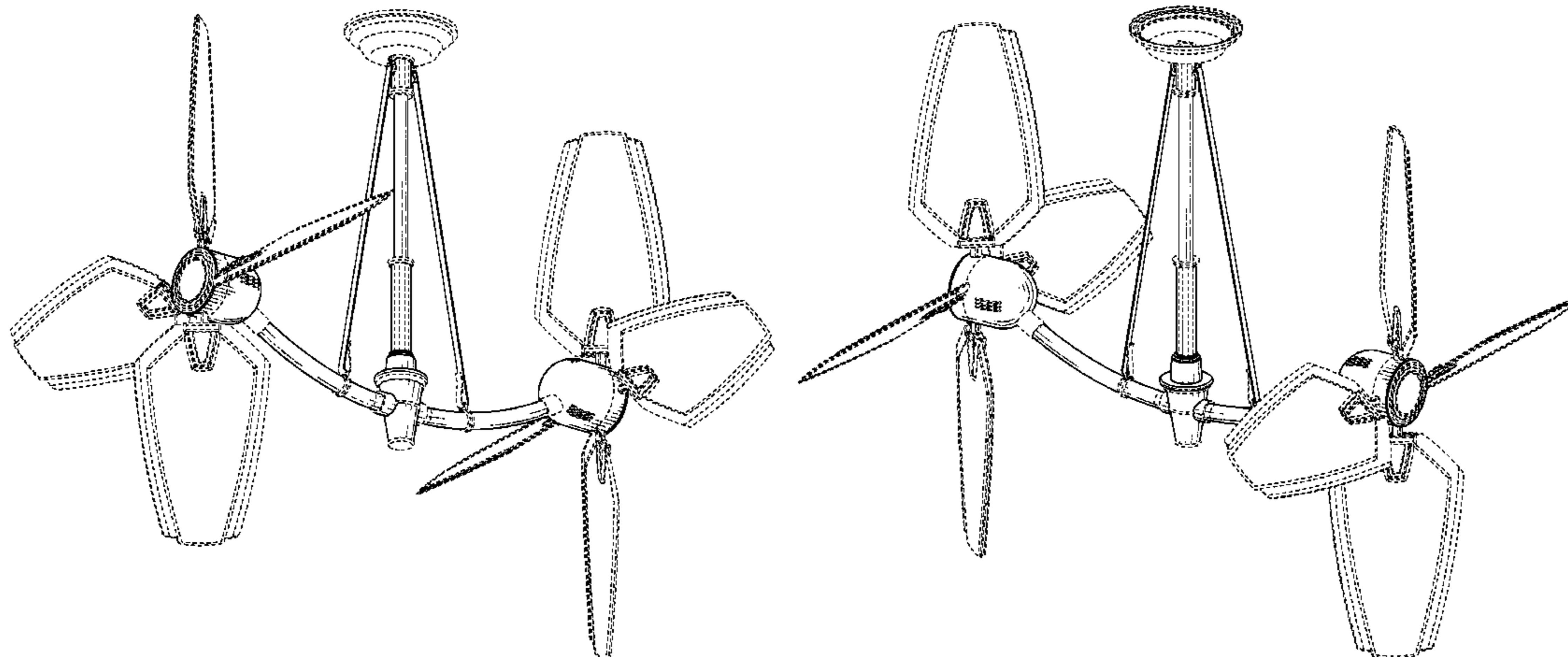
1,115,479	A	11/1914	Ayers et al.	
1,224,218	A	5/1917	Scheibe	
1,226,076	A	5/1917	Jennings	
1,227,291	A	5/1917	Miller	
1,267,752	A	5/1918	Finch	
1,334,781	A	3/1920	Morse	
D88,985	S	1/1933	Raff	
D313,467	S	1/1991	Frampton	
D456,073	S	4/2002	Frampton	
6,364,638	B1	4/2002	Liu	
D460,817	S	7/2002	Frampton	
D461,888	S	8/2002	Frampton	
D478,975	S	8/2003	Gajewski	
D485,608	S *	1/2004	Chen	..... D23/377
6,722,859	B1	4/2004	Chen	
D489,443	S	5/2004	Gajewski	
D489,809	S	5/2004	Gajewski	
D490,146	S	5/2004	Gajewski	
D493,217	S *	7/2004	Spina et al.	..... D23/377
6,817,830	B1	11/2004	Chen	
6,832,902	B2	12/2004	Gajewski et al.	
D506,002	S	6/2005	Chen	
6,913,443	B2	7/2005	Chen	

**DESCRIPTION**

FIG. 1 is a bottom perspective view of a dual-head ceiling fan, showing the new design;  
FIG. 2 is a top perspective view;  
FIG. 3 is an elevation view with the opposite elevation being a mirror image;  
FIG. 4 is an end view with the opposite end being a mirror image;  
FIG. 5 is a top view; and,  
FIG. 6 is a bottom view.

The broken line showings of FIGS. 1-6 are for the purpose of illustrating unclaimed portions of the dual-head ceiling fan and form no part of the claimed design.

**1 Claim, 6 Drawing Sheets**



# US D617,888 S

Page 2

---

## U.S. PATENT DOCUMENTS

D526,400 S	8/2006	Hidalgo et al.	D532,097 S	11/2006	Hidalgo et al.
D526,712 S	8/2006	Hidalgo et al.	7,183,680 B2	2/2007	Gajewski et al.
D530,810 S	10/2006	Hidalgo et al.	D599,462 S *	9/2009	Roo et al. .... D23/377
			2003/0082062 A1	5/2003	Chen

\* cited by examiner

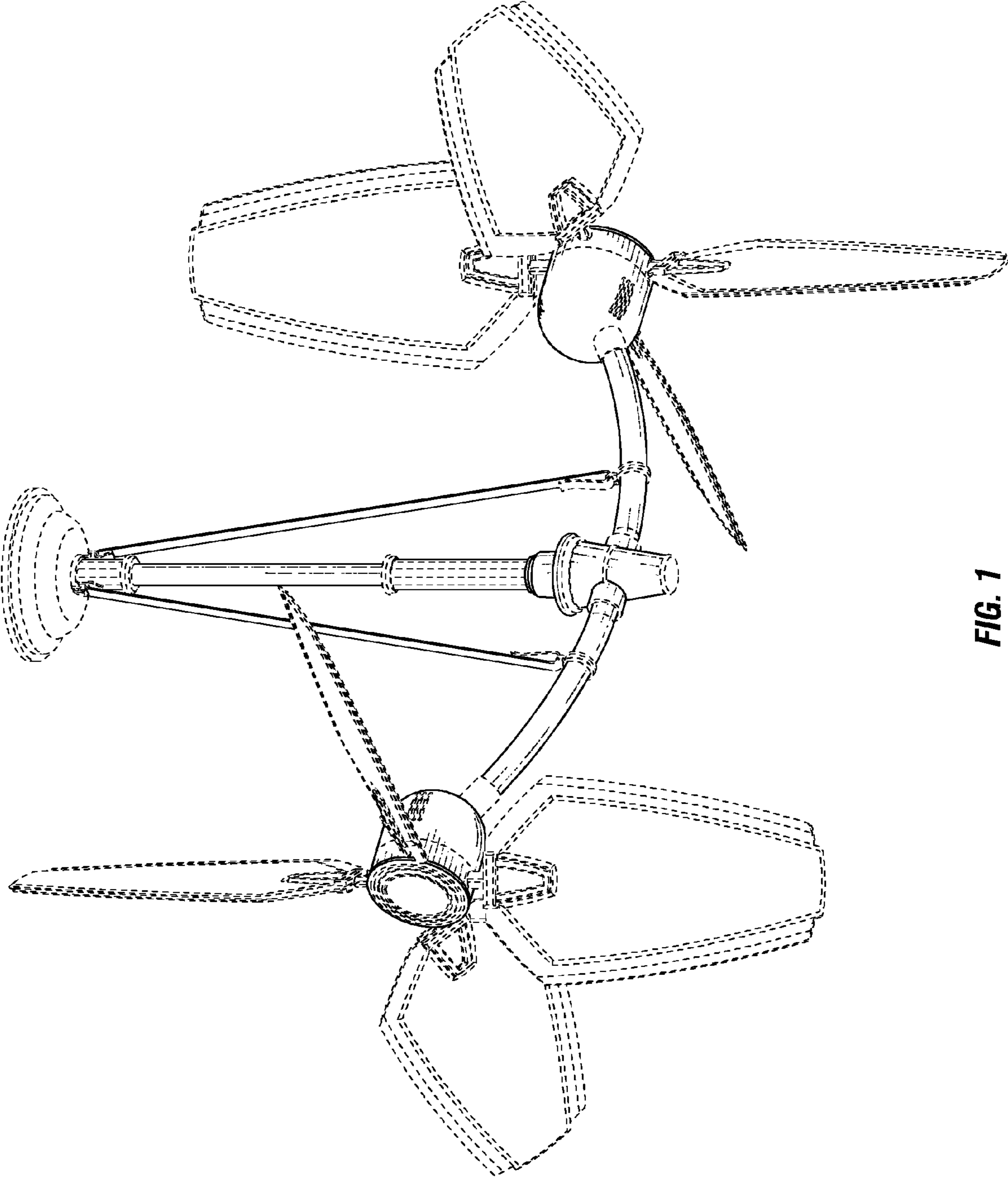


FIG. 1

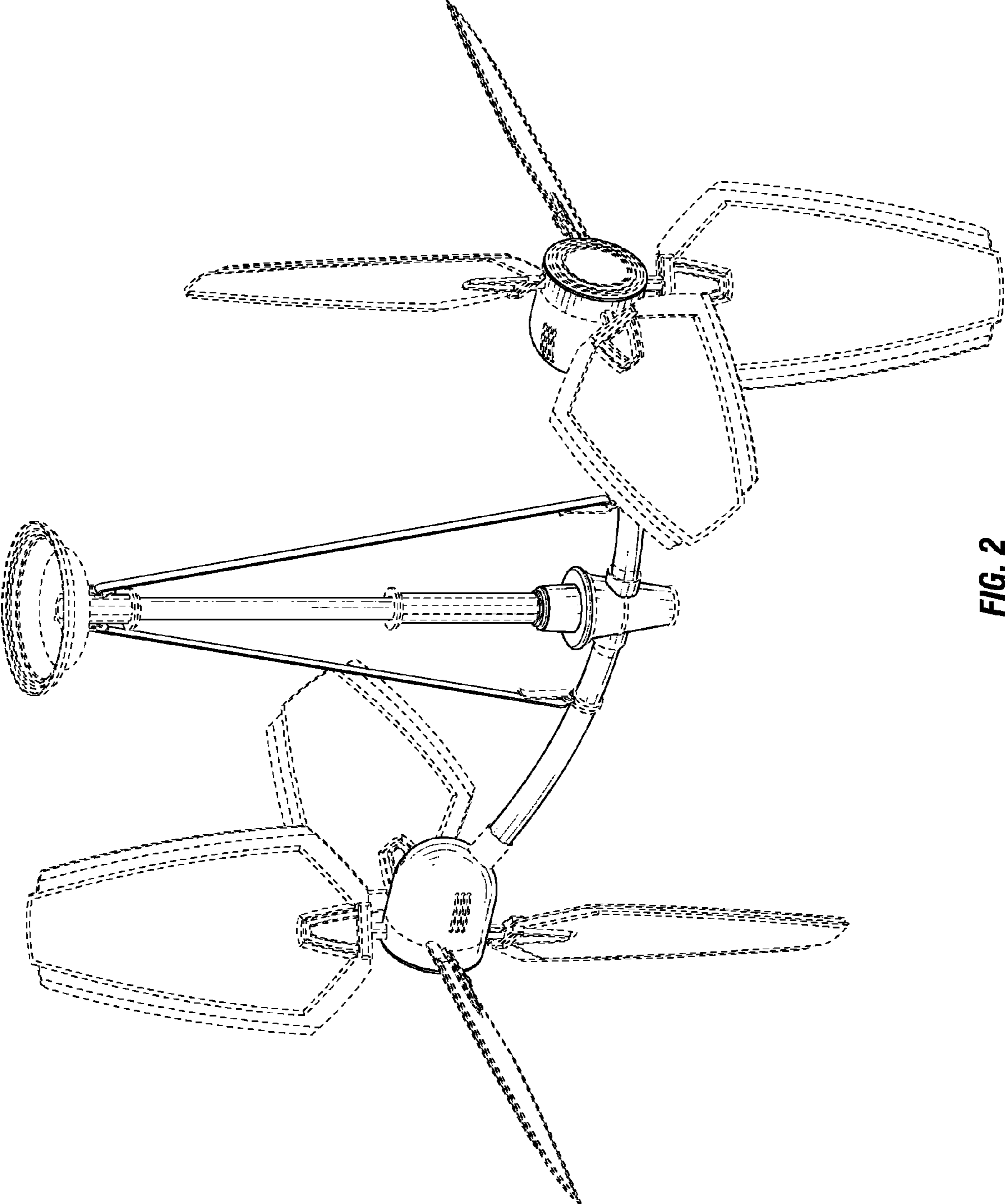


FIG. 2

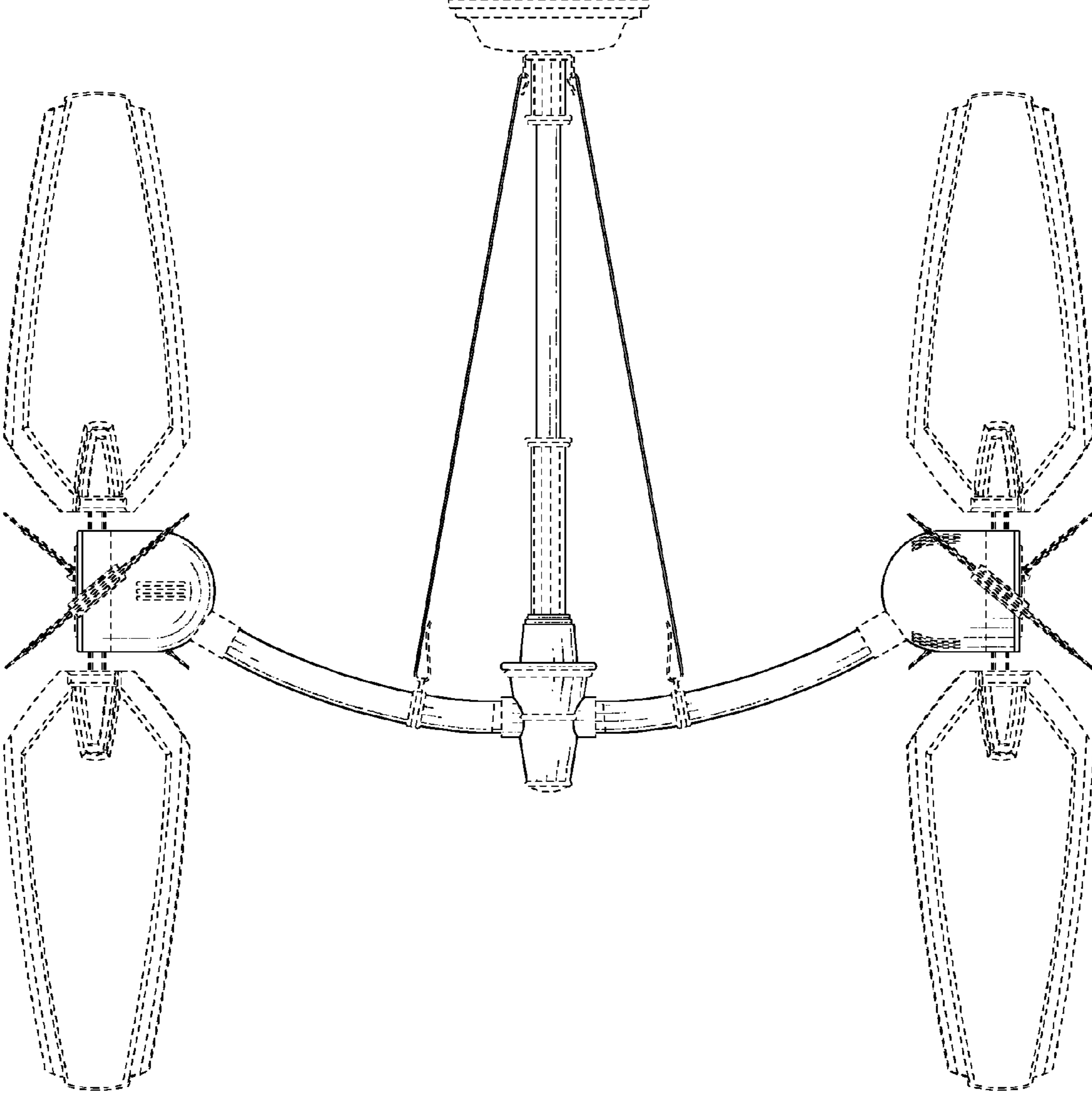
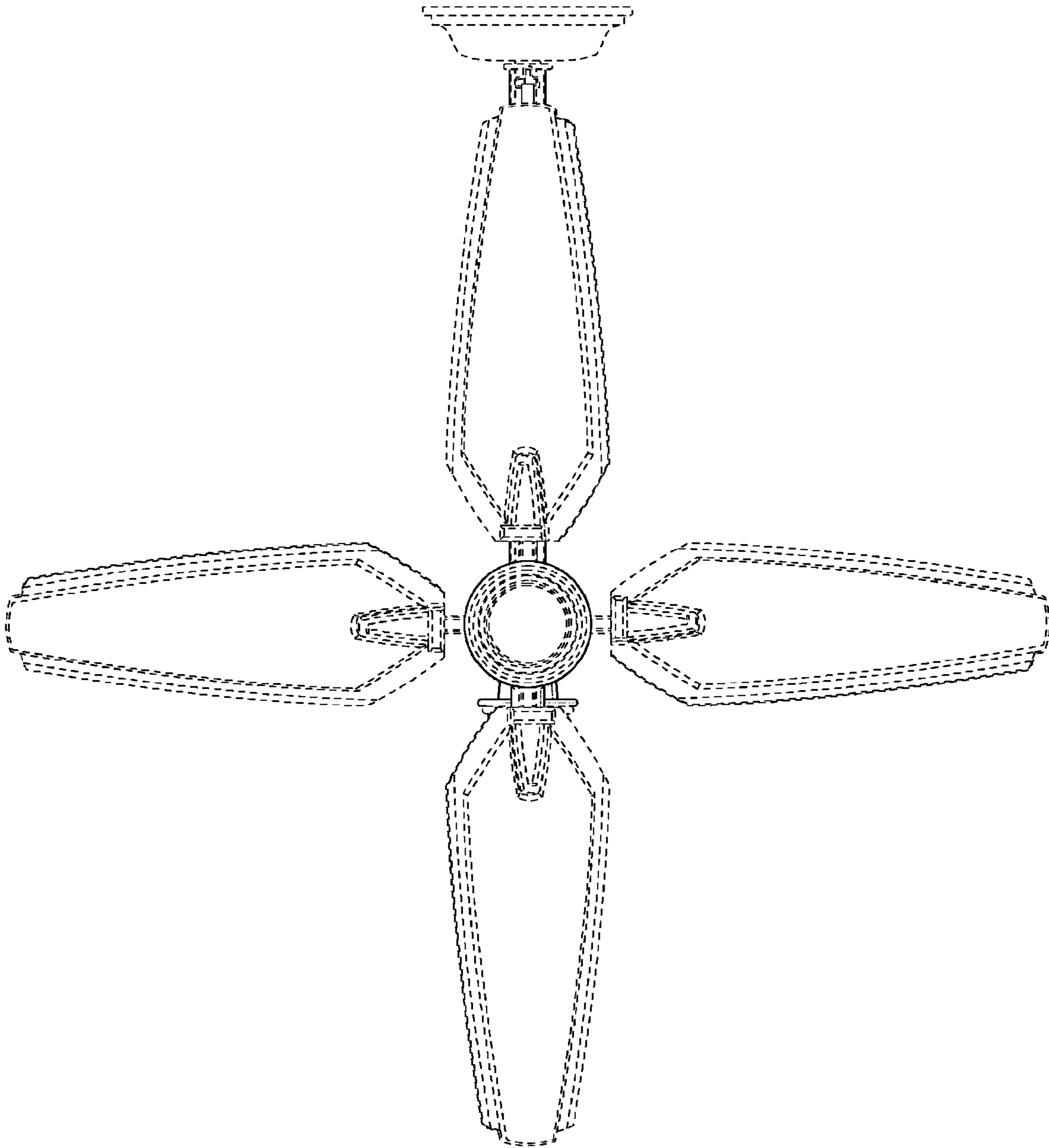


FIG. 3





**FIG. 4**

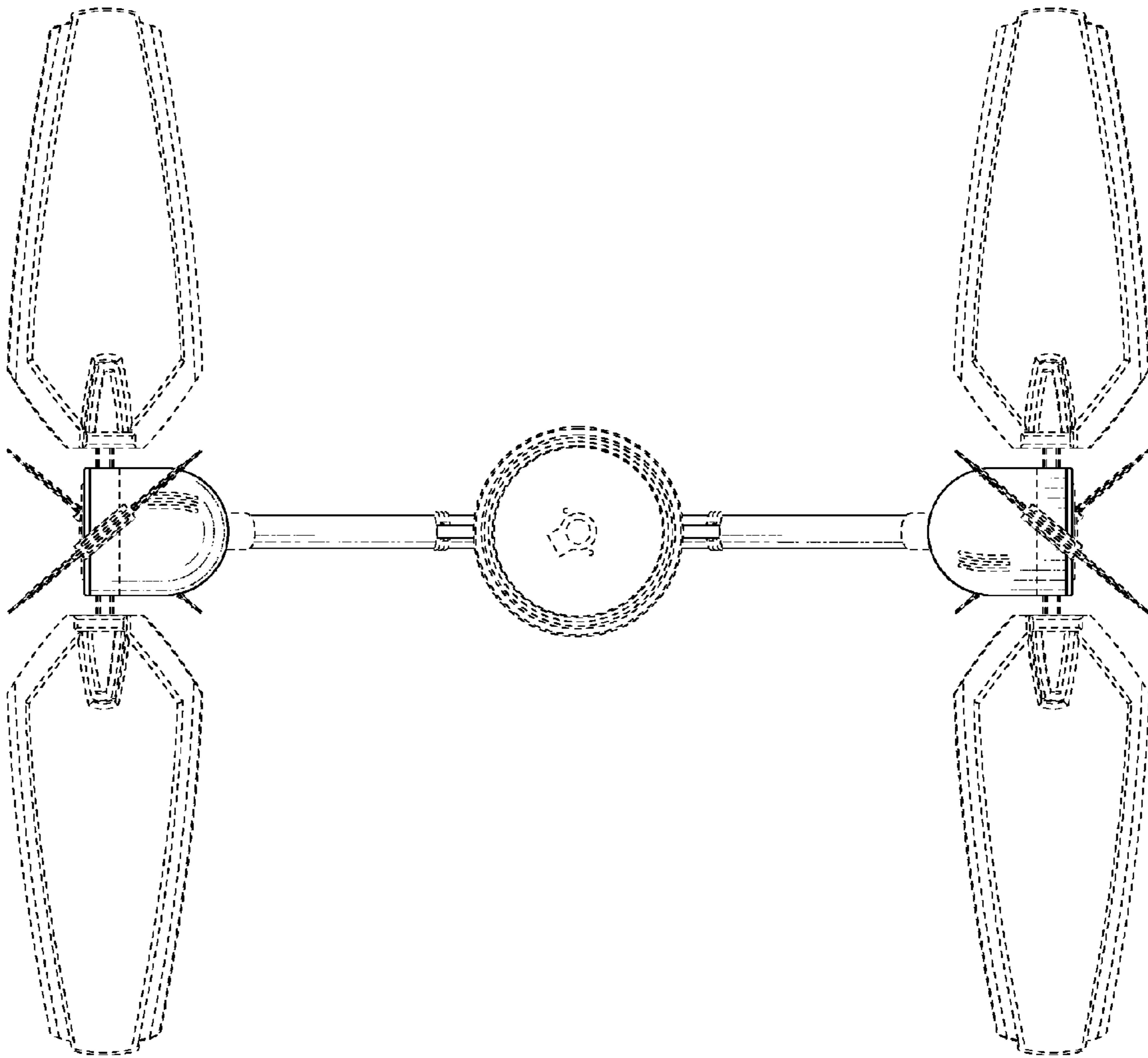


FIG. 5

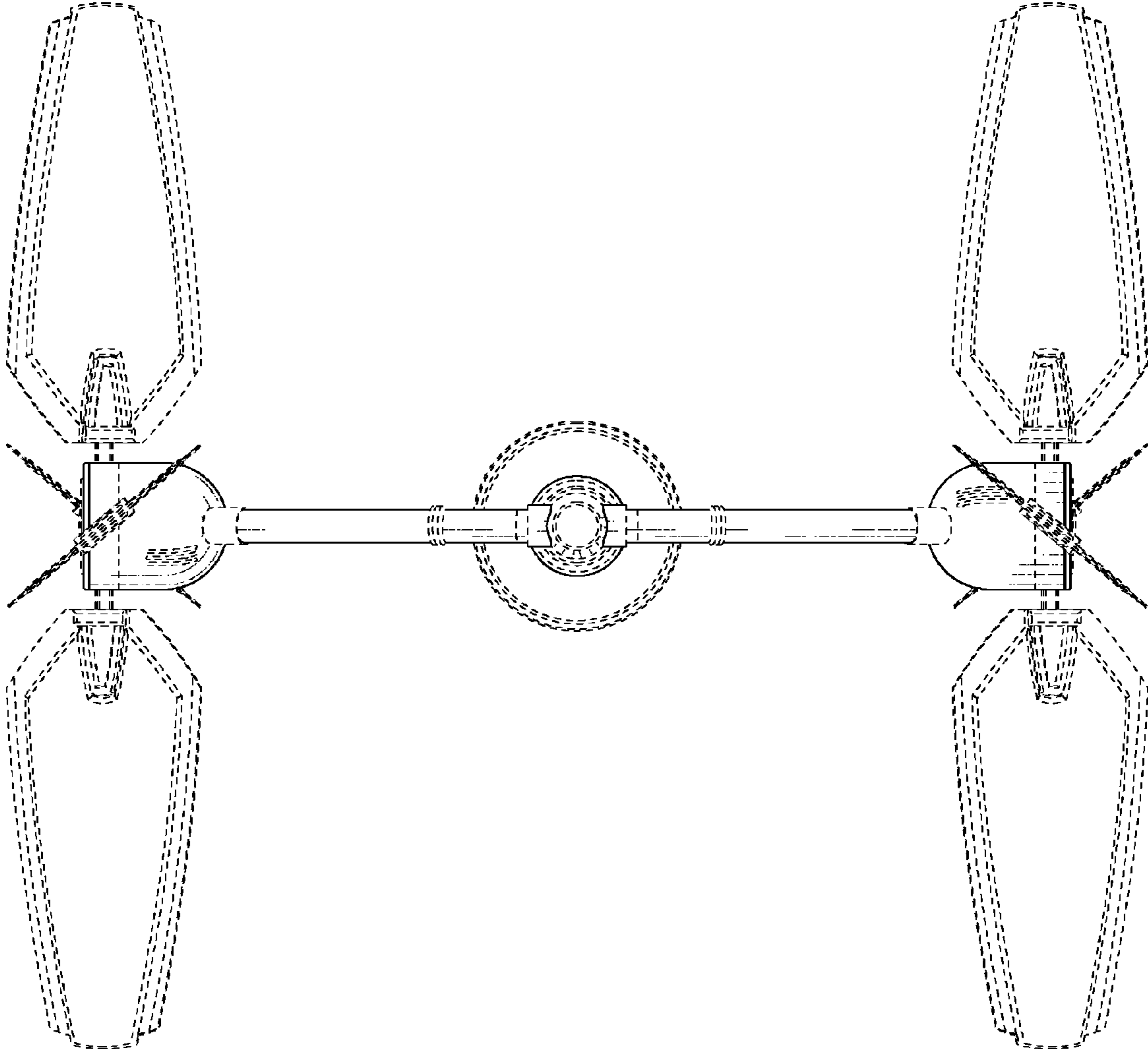


FIG. 6