



US00D617886S

(12) **United States Design Patent**
Sata et al.

(10) **Patent No.:** **US D617,886 S**
(45) **Date of Patent:** **** Jun. 15, 2010**

(54) **REFRIGERATING MACHINE**

(75) Inventors: **Hiroshi Sata**, Chiyoda-Ku (JP); **Takashi Ikeda**, Chiyoda-Ku (JP); **Tetsuya Yamashita**, Chiyoda-Ku (JP); **Koji Asakura**, Chiyoda-Ku (JP); **Koichi Higashi**, Chiyoda-Ku (JP)

(73) Assignee: **Mitsubishi Electric Corporation**, Tokyo (JP)

(**) Term: **14 Years**

(21) Appl. No.: **29/335,868**

(22) Filed: **Apr. 23, 2009**

(30) **Foreign Application Priority Data**

Dec. 26, 2008 (JP) 2008-033144

(51) **LOC (9) Cl.** **23-04**

(52) **U.S. Cl.** **D23/351**

(58) **Field of Classification Search** D6/314,
D6/317, 332-333, 351; 312/236; 62/259.1,
62/259.3, 259.4, 262-263, 304, 401, 515-516;
454/330-331, 349-350, 354
See application file for complete search history.

(56) **References Cited**

U.S. PATENT DOCUMENTS

D299,528 S * 1/1989 Kessler et al. D23/351
D398,388 S * 9/1998 Aihara et al. D23/351
D434,126 S * 11/2000 Caronna et al. D23/351
D435,095 S * 12/2000 Nanjo D23/351
D454,186 S * 3/2002 Caronna et al. D23/351

D454,388 S * 3/2002 Mutchnik et al. D23/351
D513,528 S * 1/2006 Tucker et al. D23/351
D534,632 S * 1/2007 David et al. D23/351
D534,637 S * 1/2007 David et al. D23/351
D540,452 S * 4/2007 Narayanamurthy et al. D23/351
D562,954 S * 2/2008 Brenneke et al. D23/351

FOREIGN PATENT DOCUMENTS

JP 1083853 D 9/2000
JP 1275535 D 7/2006

* cited by examiner

Primary Examiner—Brian N Vinson

(74) *Attorney, Agent, or Firm*—Sughrue Mion, PLLC

(57) **CLAIM**

The ornamental design for a refrigerating machine, as shown and described.

DESCRIPTION

FIG. 1 is a front, top and right side perspective view of a refrigerating machine, showing our new design;

FIG. 2 is a front elevational view thereof;

FIG. 3 is a rear elevational view thereof;

FIG. 4 is a top plan view thereof;

FIG. 5 is a bottom plan view thereof;

FIG. 6 is a left side elevational view thereof;

FIG. 7 is a right side elevational view thereof; and,

FIG. 8 is a cross-sectional view thereof; taken along line 8—8 of FIG. 2, with the internal system omitted.

1 Claim, 4 Drawing Sheets

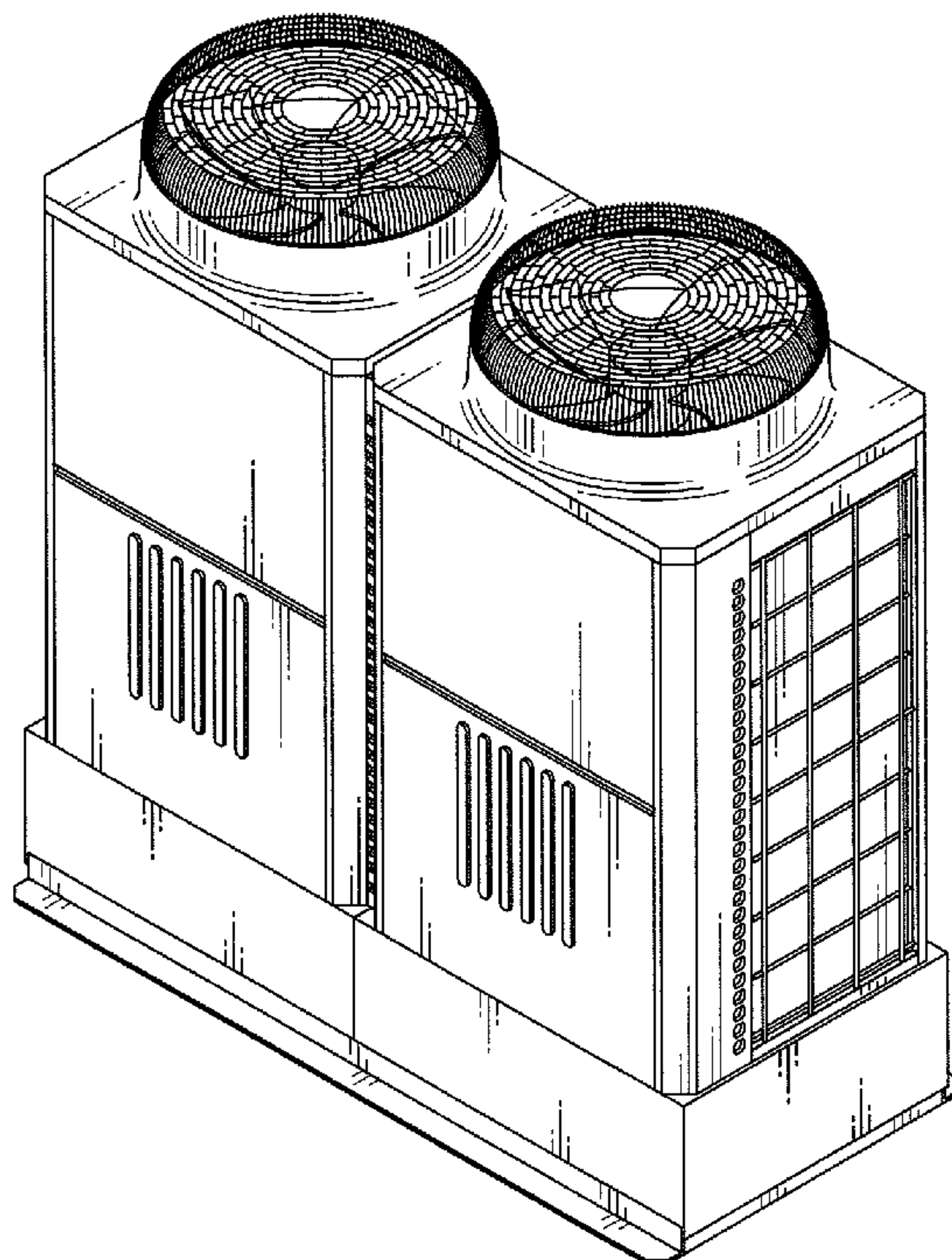


FIG. 1

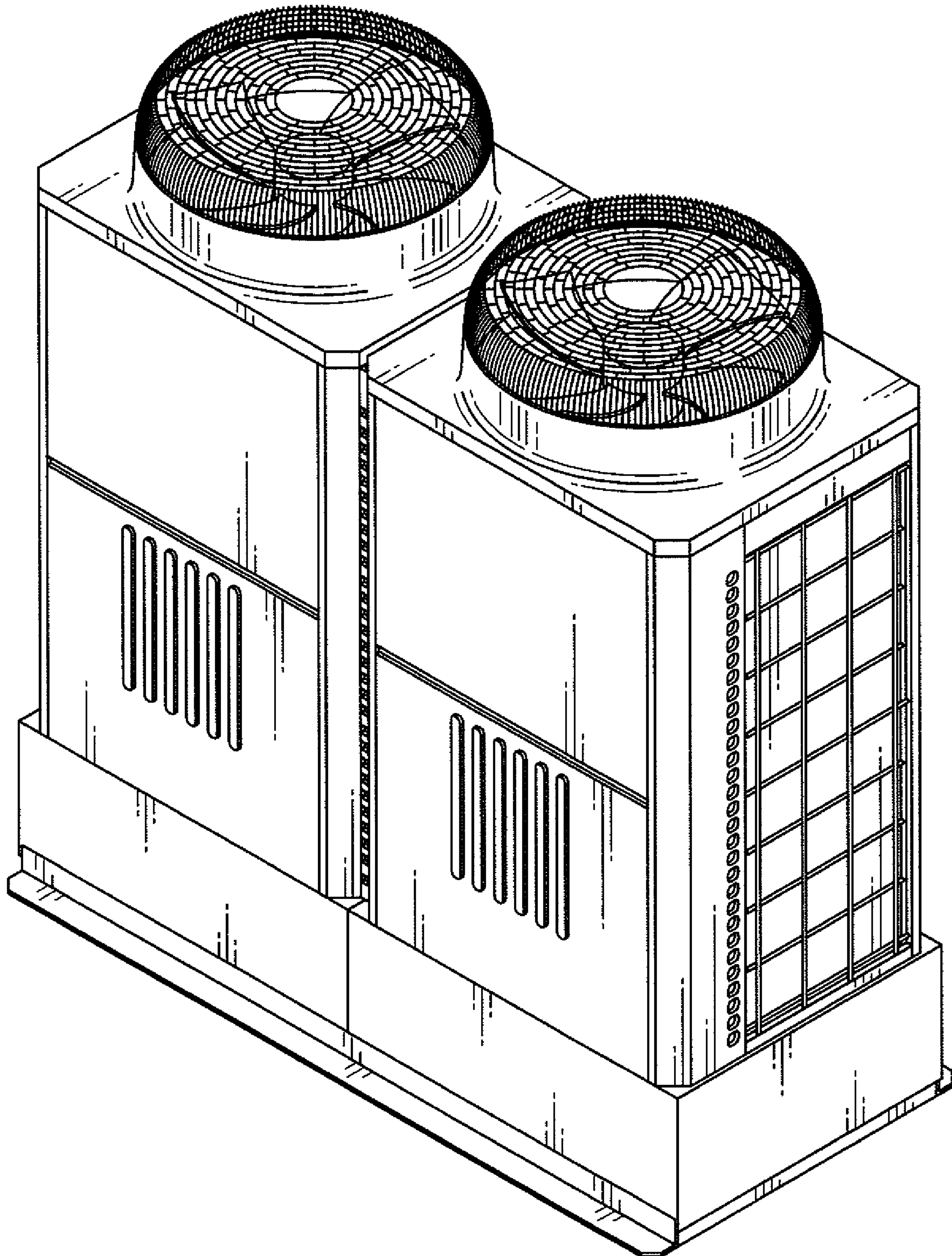


FIG.2

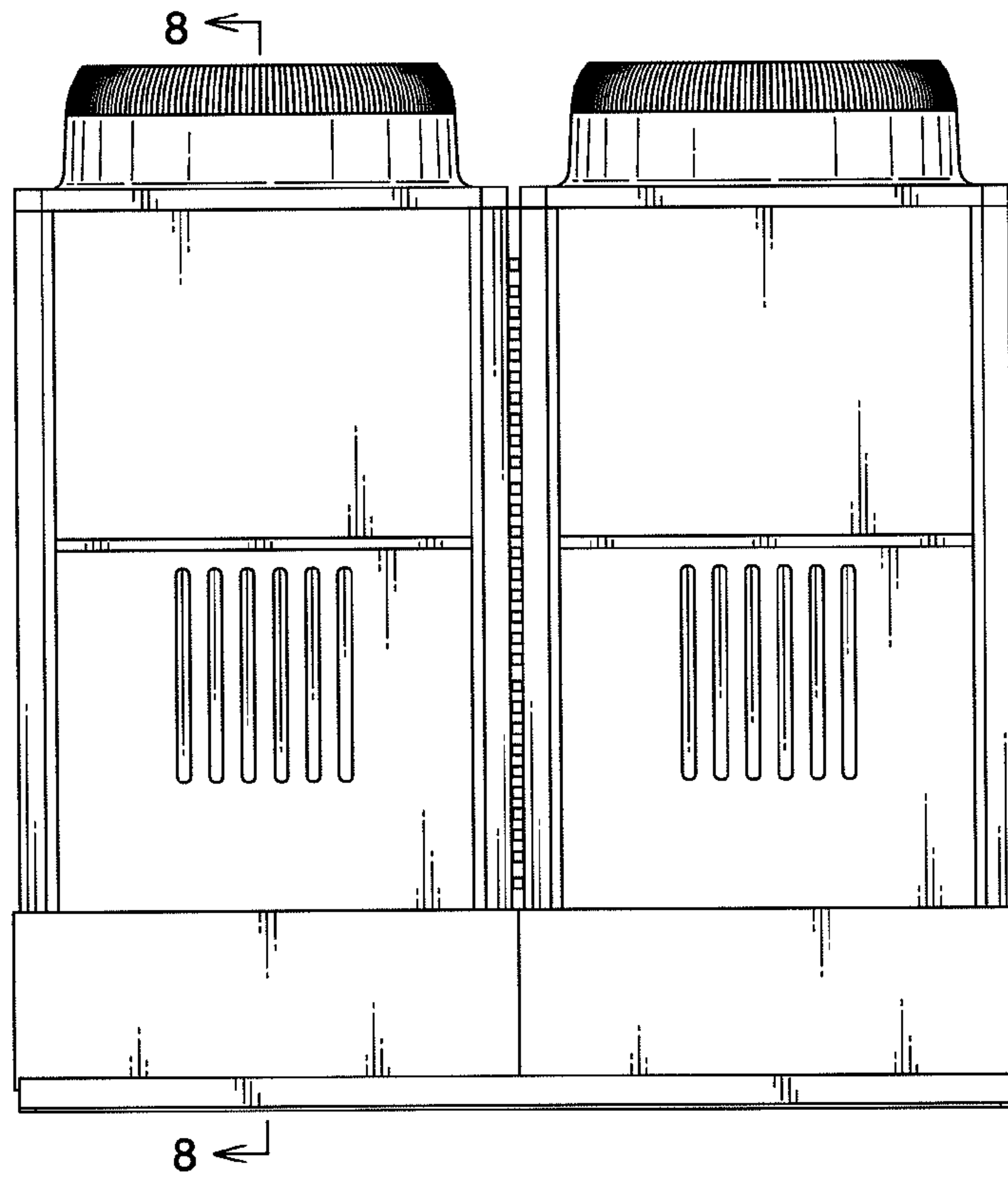


FIG.3

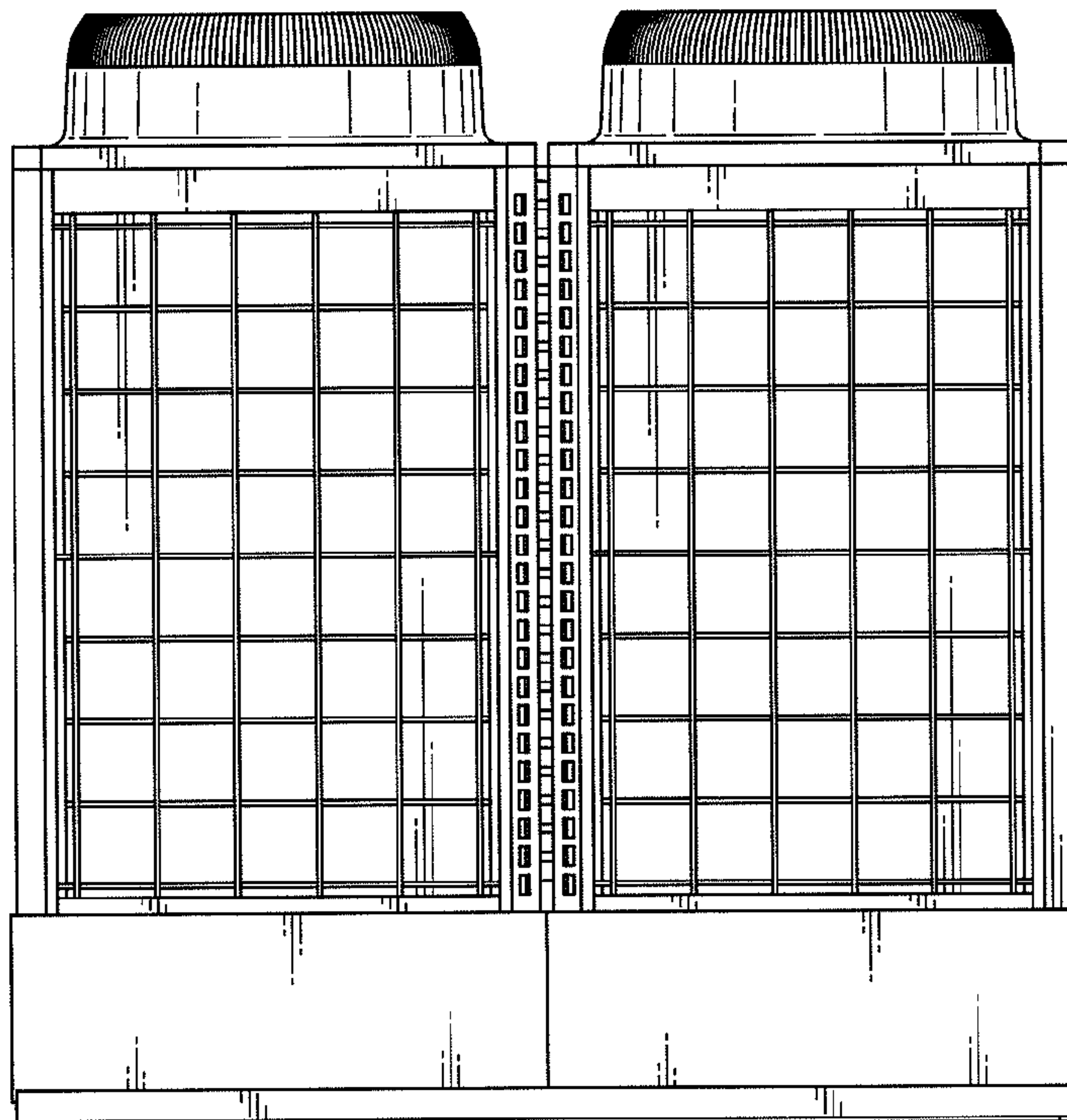


FIG. 4

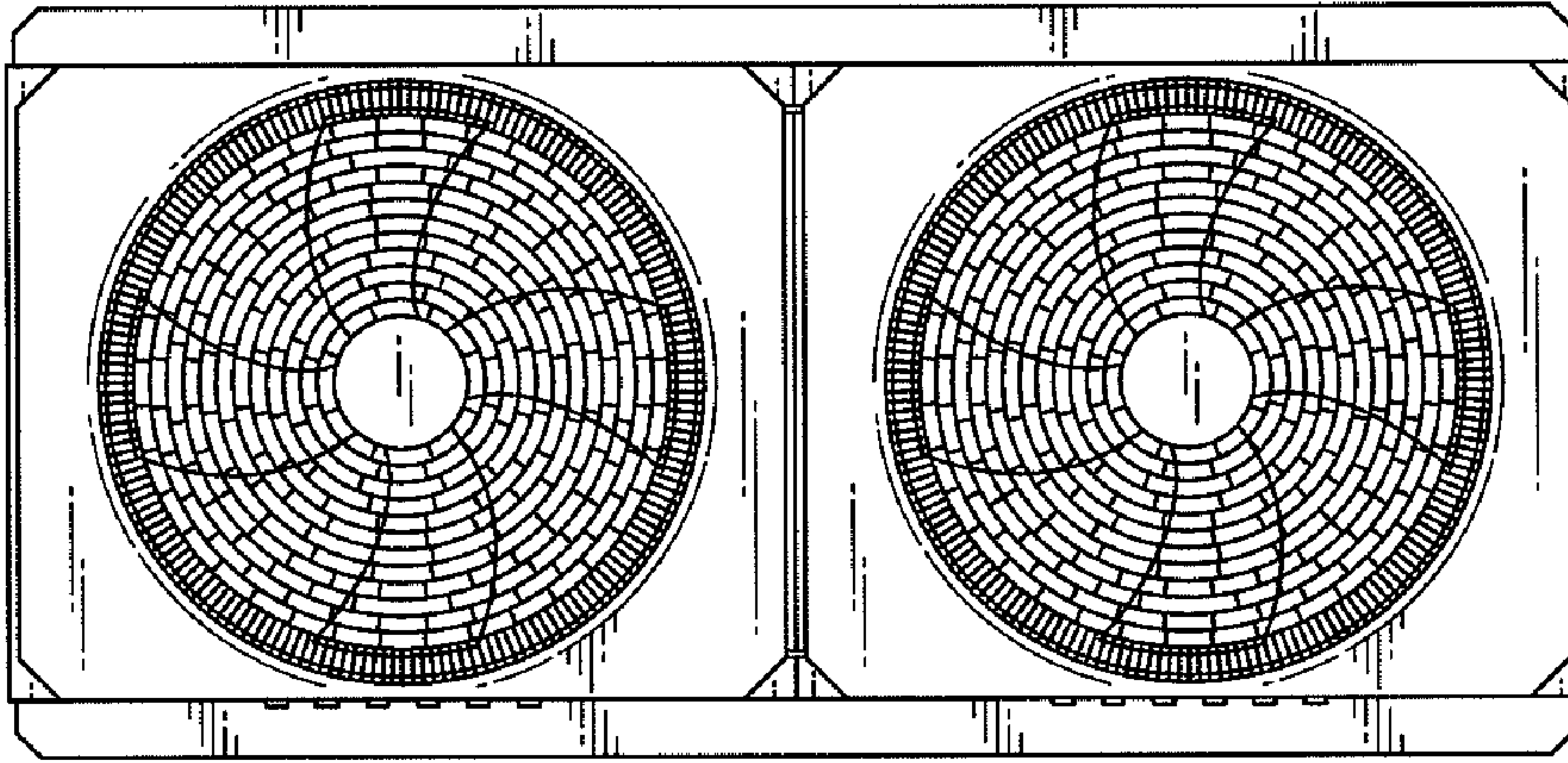


FIG. 5

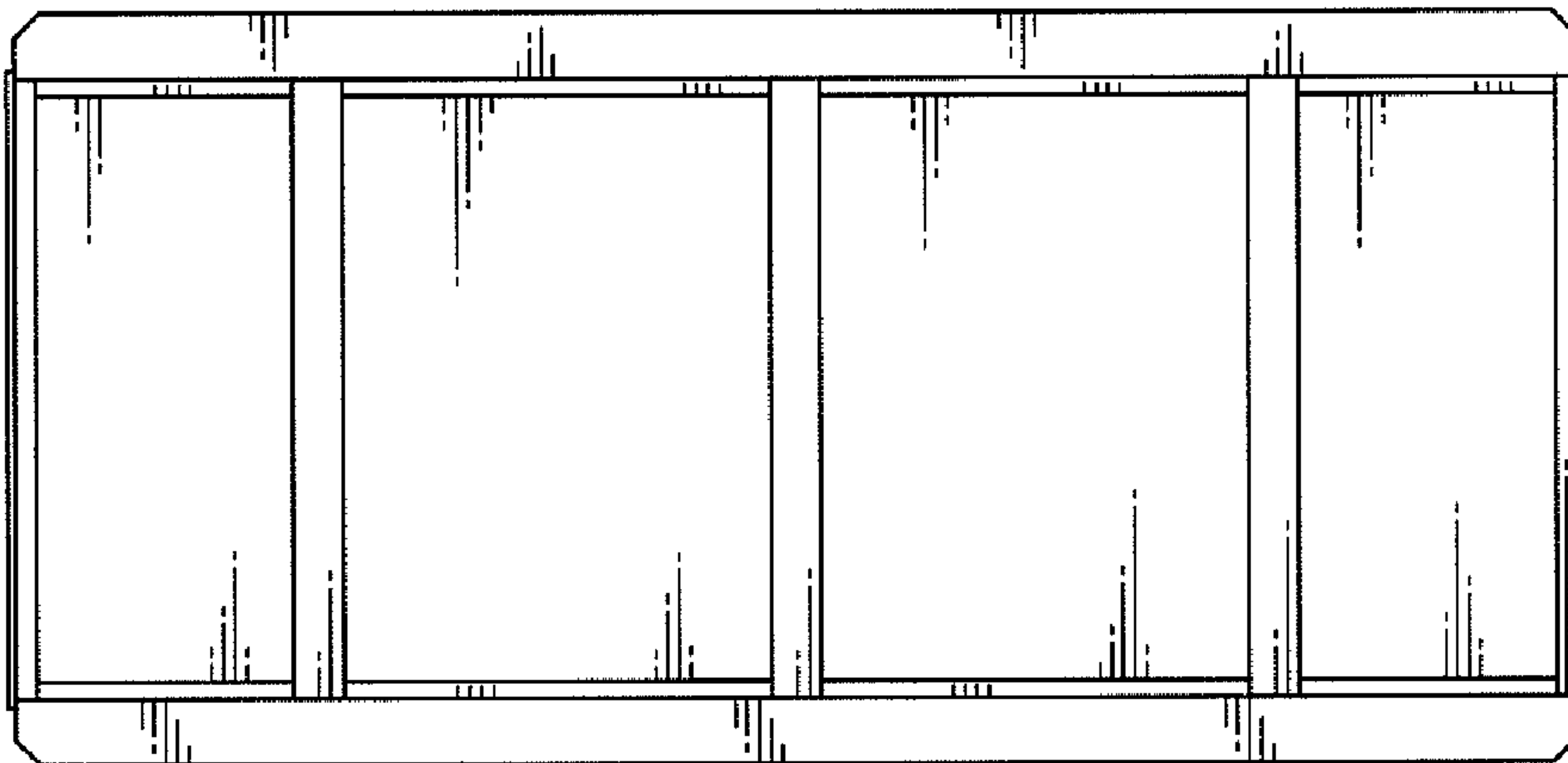


FIG.6

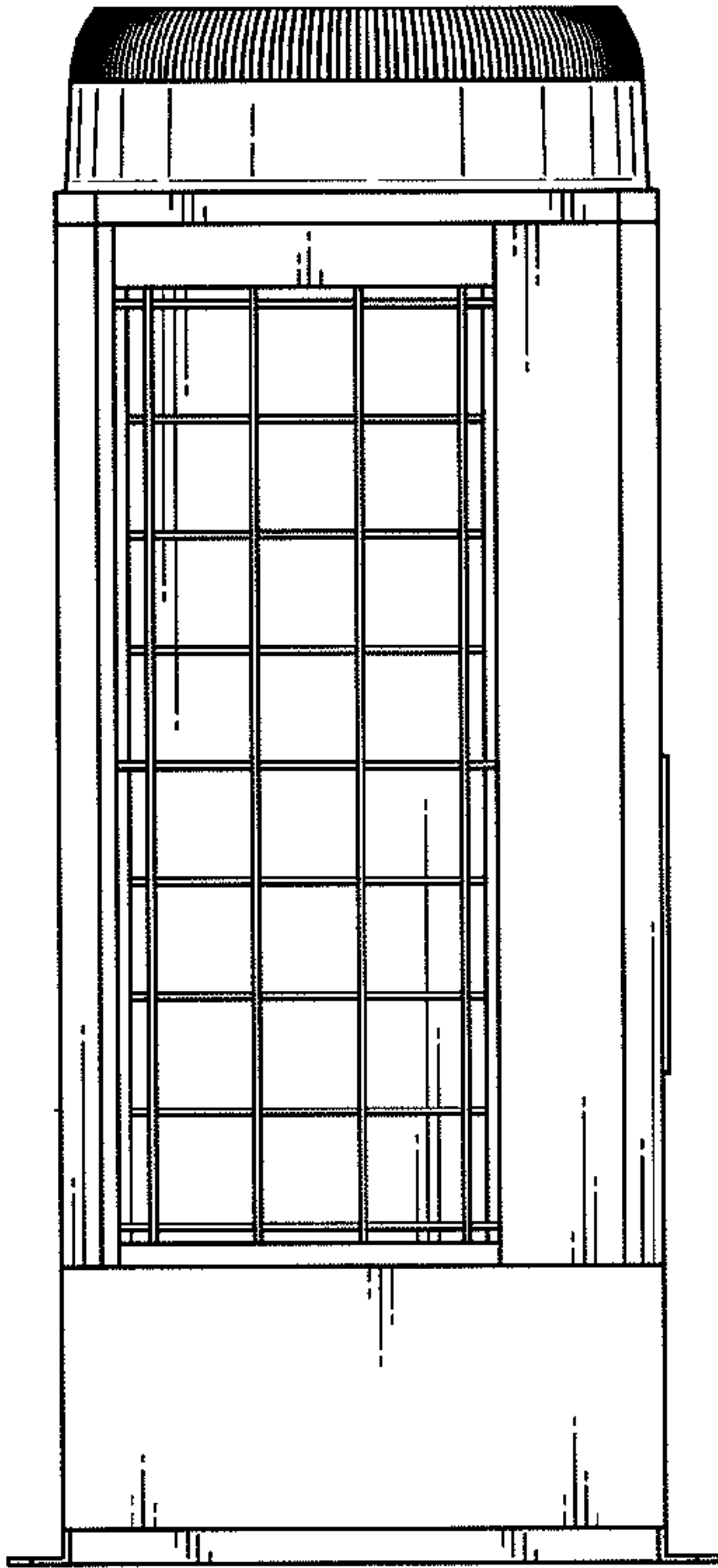


FIG.7

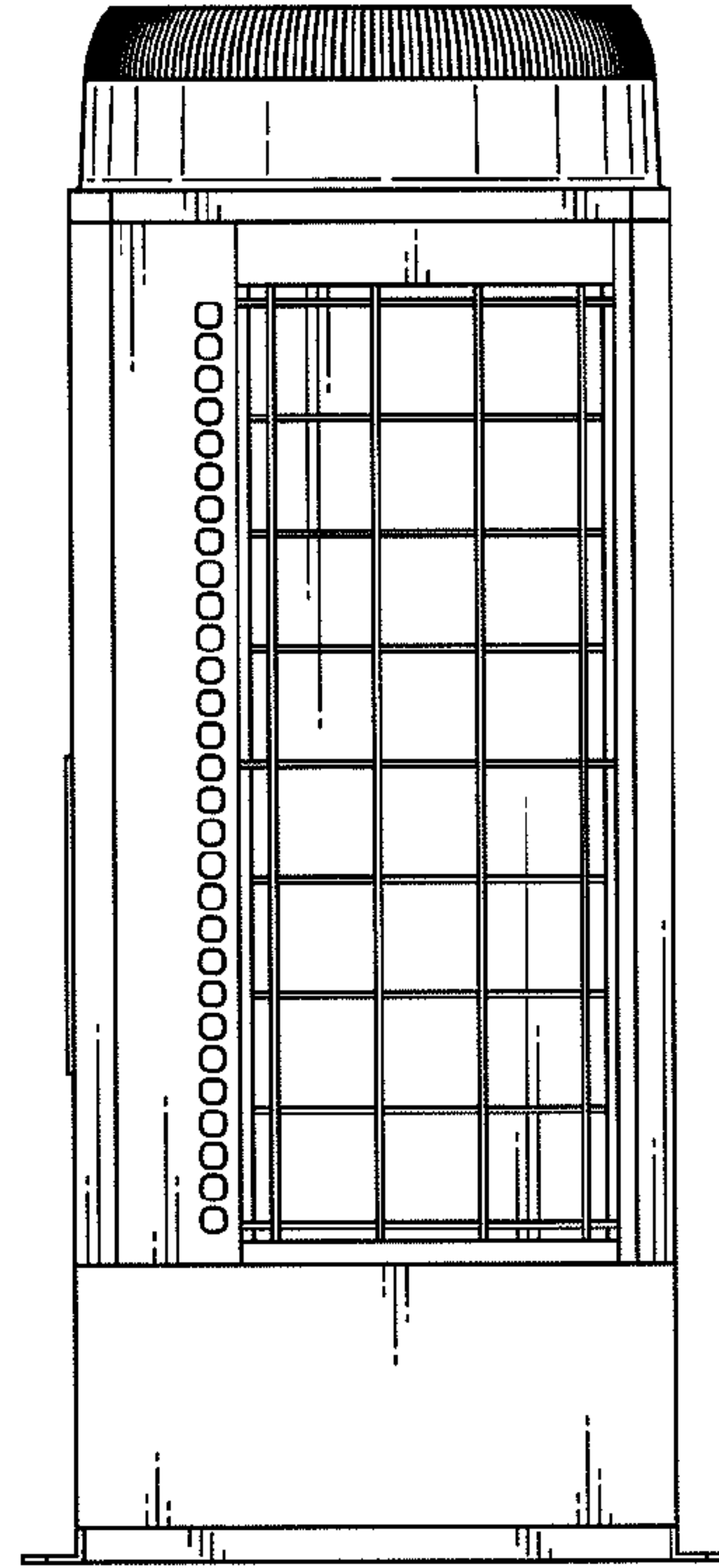


FIG.8

