



US00D617881S

(12) **United States Design Patent**
Tausch

(10) **Patent No.:** **US D617,881 S**
(45) **Date of Patent:** **** Jun. 15, 2010**

(54) **DRAIN ADAPTER**

(75) Inventor: **Mark J. Tausch**, West Chester, OH (US)

(73) Assignee: **OPW Engineered Systems**, Lebanon, OH (US)

(**) Term: **14 Years**

(21) Appl. No.: **29/352,109**

(22) Filed: **Dec. 16, 2009**

Related U.S. Application Data

(62) Division of application No. 29/338,327, filed on Jun. 9, 2009, now Pat. No. Des. 610,240.

(51) **LOC (9) Cl.** **23-01**

(52) **U.S. Cl.** **D23/262**

(58) **Field of Classification Search** D23/259-269;
285/42, 158, 212, 355, 357, 907; 138/89,
138/96 R, 96 T; 4/255.01, 255.04, 255.07-255.08,
4/256.1

See application file for complete search history.

(56) **References Cited**

U.S. PATENT DOCUMENTS

4,151,864 A 5/1979 Thurman
D374,067 S 9/1996 Crook
D375,786 S 11/1996 Morris

(Continued)

OTHER PUBLICATIONS

API Bottom Loading Accessories, 1004DRN Drain Adapter, [Available 1999], [Retrieved Jun. 9, 2009], Retrieved from the internet <URL:http://opw-es.com/www/en/opwes/products/

chemicalindustrial/loadingrackequipment/ loadingarmcomponents/apicouplers/1004drn-1004pa-accessories.jsp>.

Primary Examiner—T. Chase Nelson

Assistant Examiner—Eric L Goodman

(74) *Attorney, Agent, or Firm*—Dinsmore & Shohl LLP

(57) **CLAIM**

The ornamental design for drain adapter, as shown and described.

DESCRIPTION

FIG. 1 is a perspective view of a first embodiment of a drain adapter;

FIG. 2 is a top view of the drain adapter of FIG. 1;

FIG. 3 is a bottom view of the drain adapter of FIG. 1;

FIG. 4 is a right side view of the drain adapter of FIG. 1;

FIG. 5 is a left side view of the drain adapter of FIG. 1;

FIG. 6 is a front view of the drain adapter of FIG. 1;

FIG. 7 is a back view of the drain adapter of FIG. 1;

FIG. 8 is a perspective view of a second embodiment of a drain adapter;

FIG. 9 is a top view of the drain adapter of FIG. 8;

FIG. 10 is a bottom view of the drain adapter of FIG. 8;

FIG. 11 is a right side view of the drain adapter of FIG. 8;

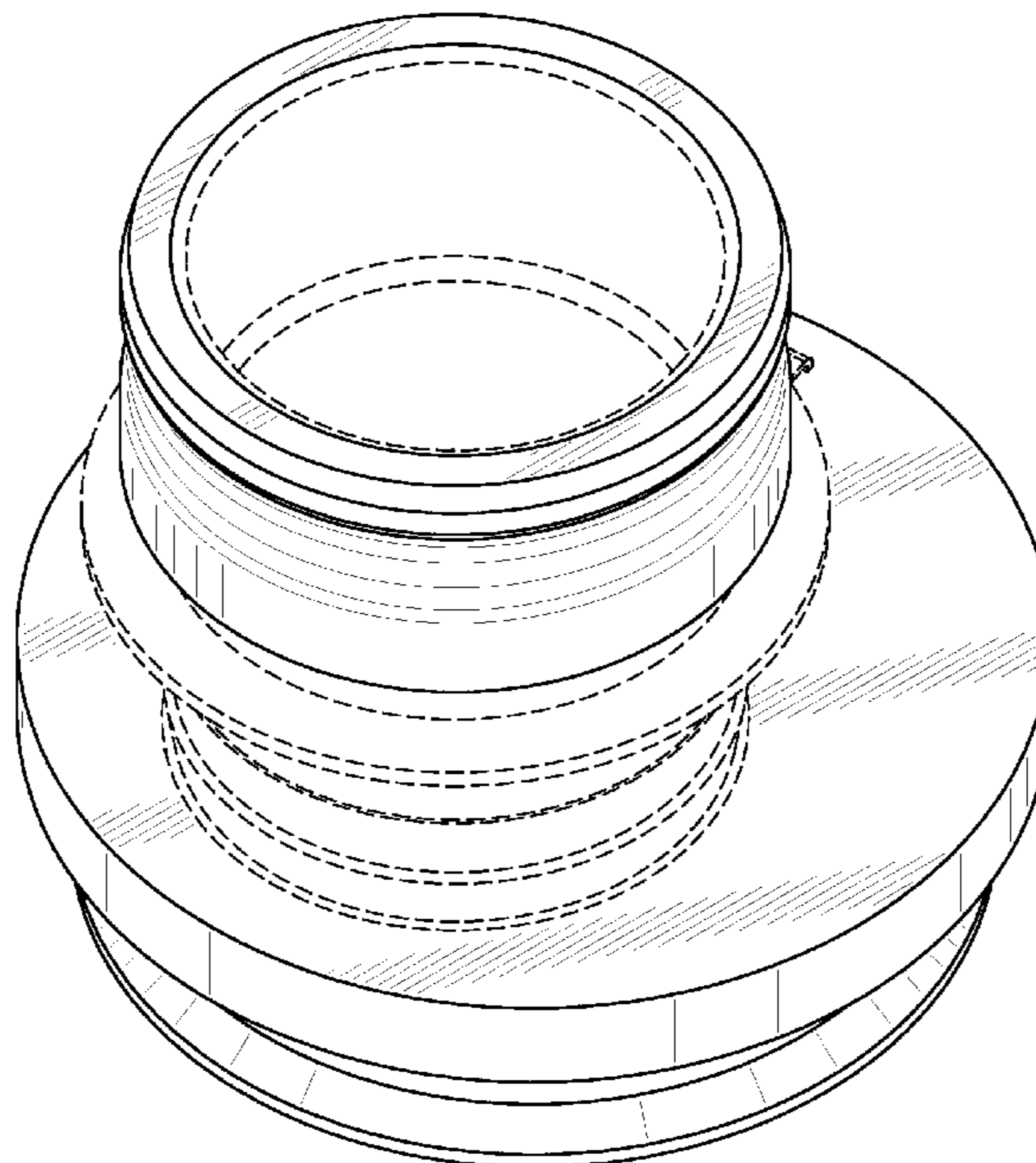
FIG. 12 is a left side view of the drain adapter of FIG. 8;

FIG. 13 is a front view of the drain adapter of FIG. 8; and,

FIG. 14 is a back view of the drain adapter of FIG. 8.

The phantom lines and areas shown in the figures are for illustrative purposes only and are not a part of the presently claimed design.

1 Claim, 14 Drawing Sheets



US D617,881 S

Page 2

U.S. PATENT DOCUMENTS

5,882,043 A 3/1999 Murphy et al.
5,934,331 A 8/1999 Earl
D443,680 S 6/2001 Cummings
6,508,267 B1 1/2003 Rippolone
6,687,926 B1 2/2004 Bayley

7,631,664 B1* 12/2009 Mailand 138/89
2002/0032926 A1 3/2002 Lewis
2005/0279388 A1 12/2005 Schmitt
2007/0056088 A1 3/2007 DeGooyer
2008/0229494 A1 9/2008 DeGooyer et al.

* cited by examiner

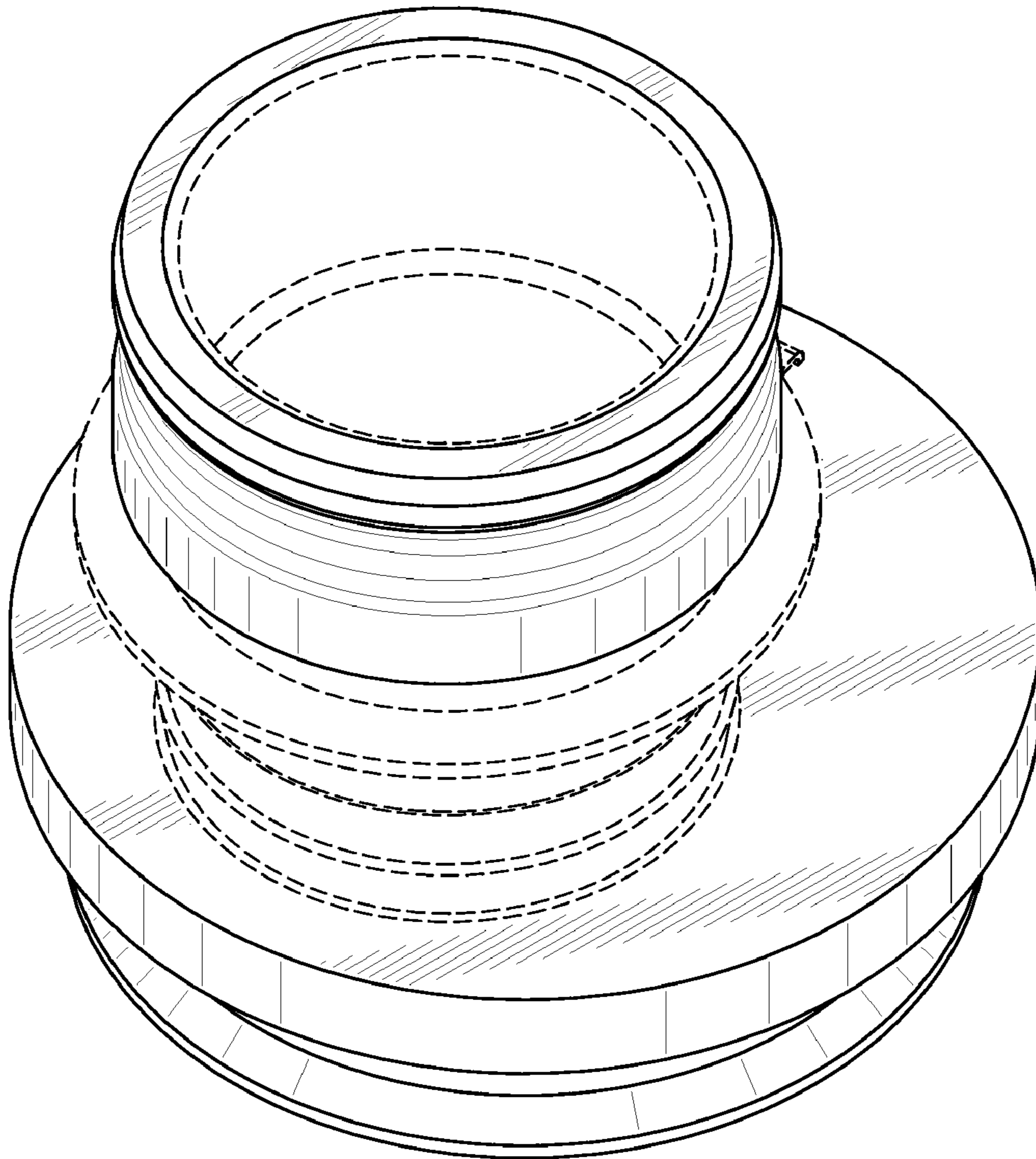


FIG. 1

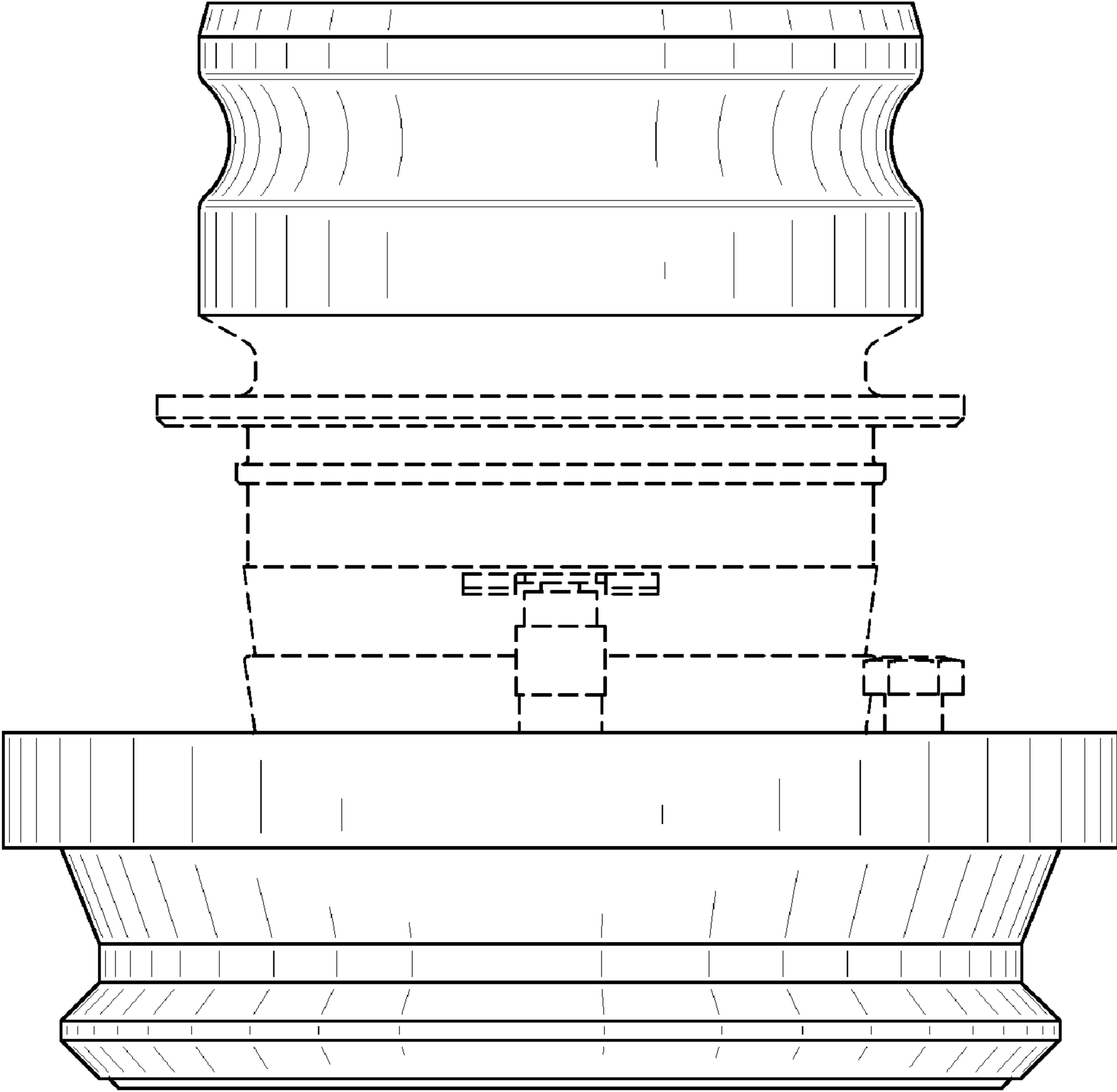


FIG. 2

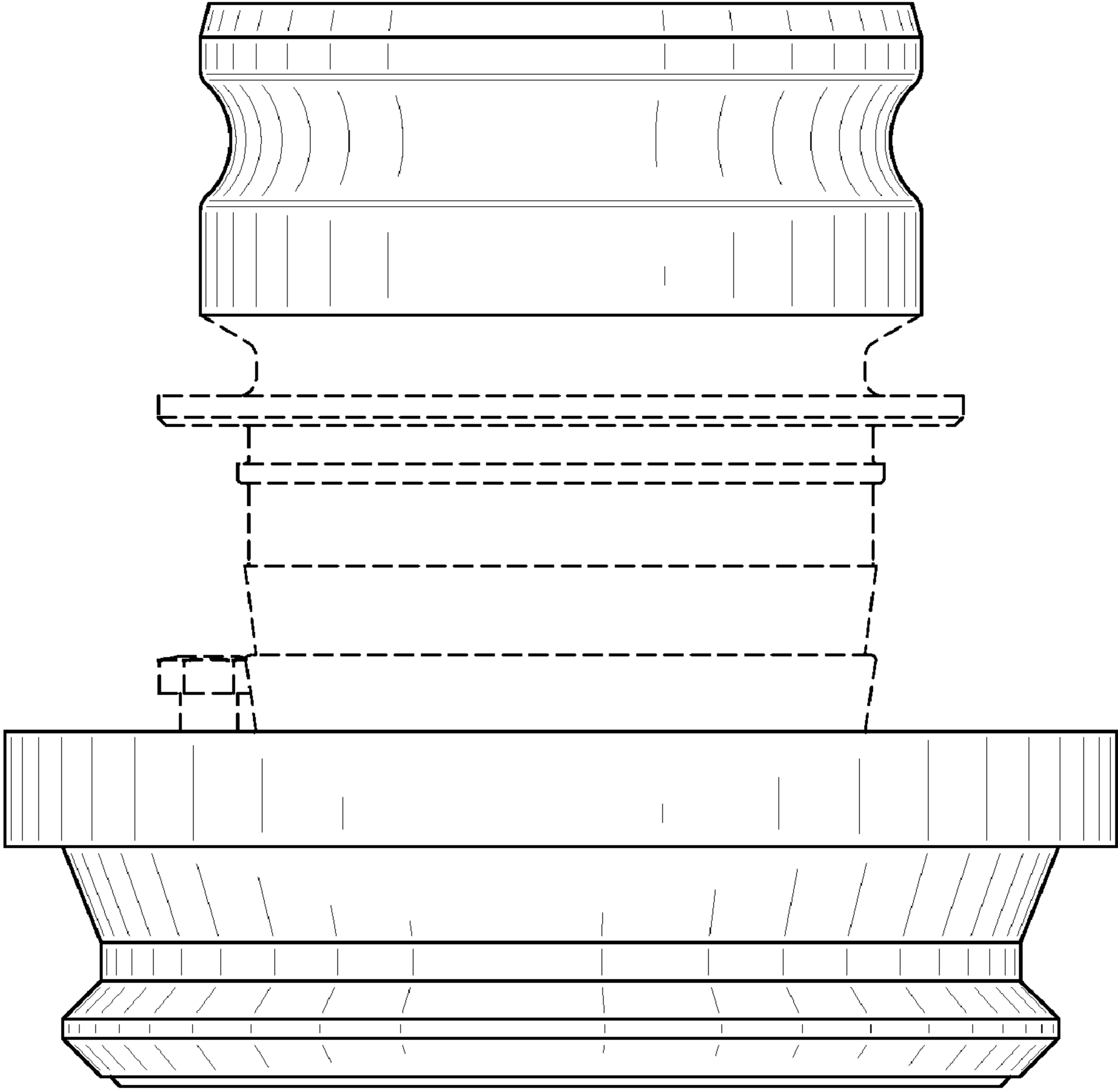


FIG. 3

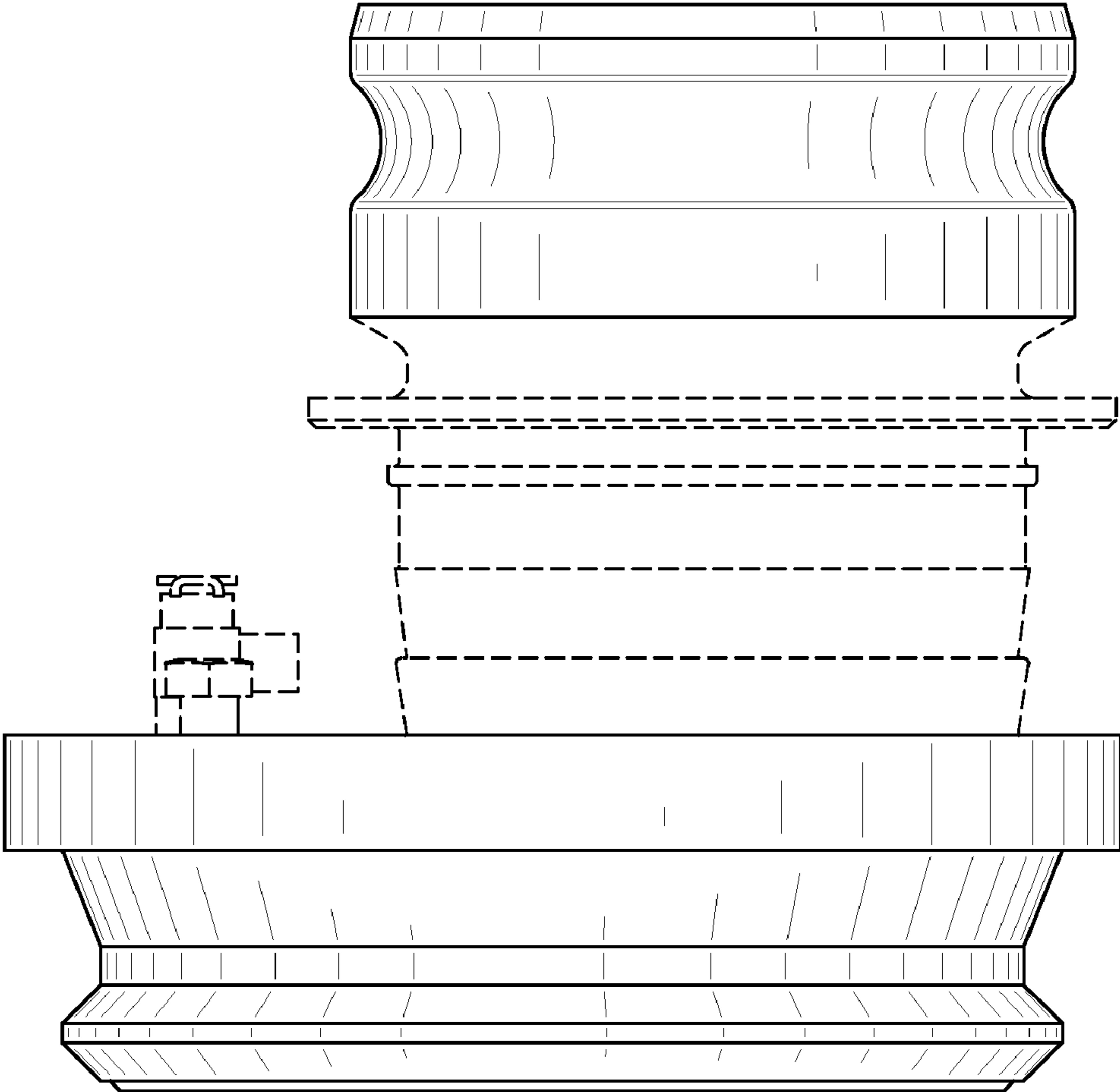


FIG. 4

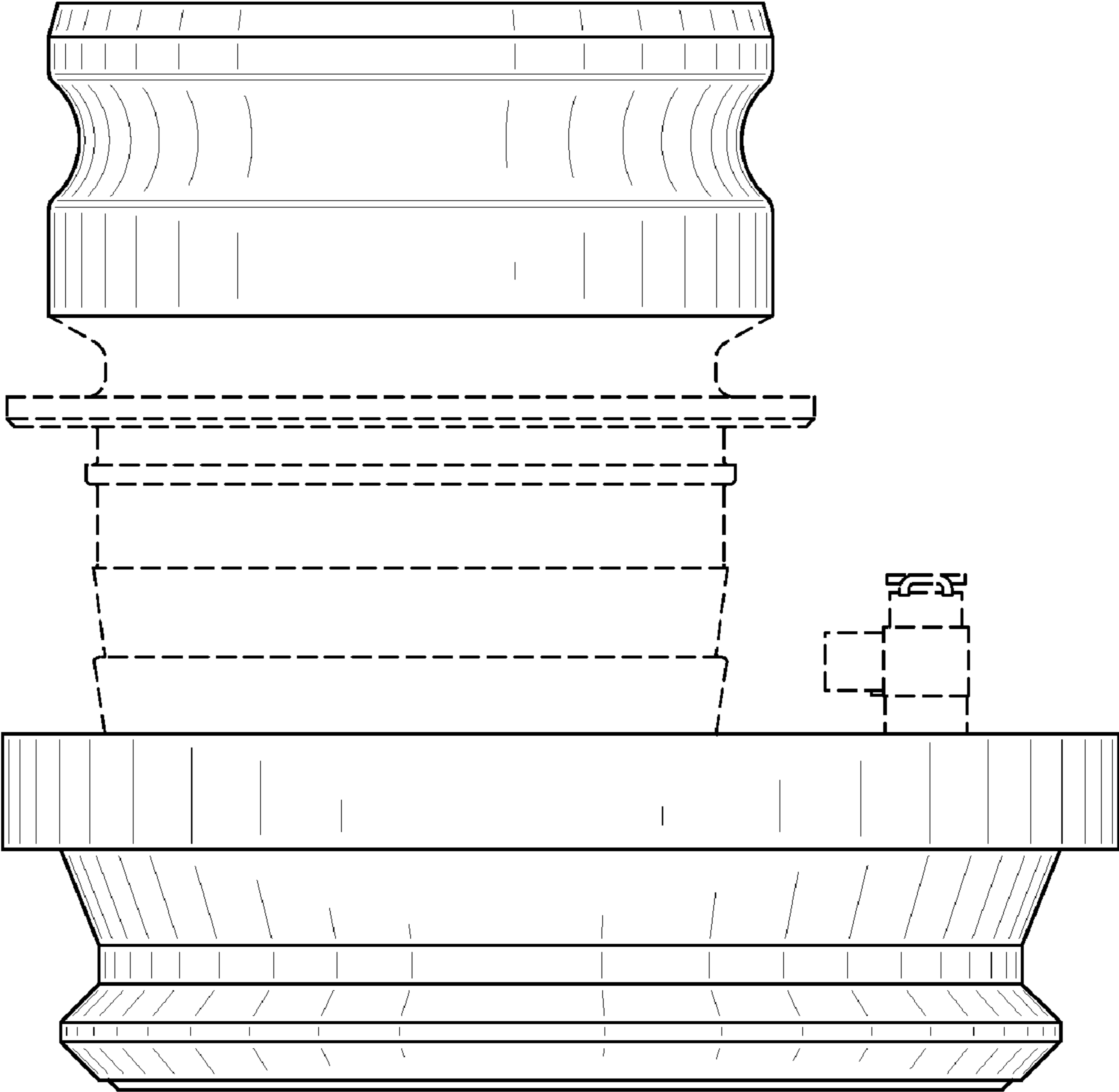


FIG. 5

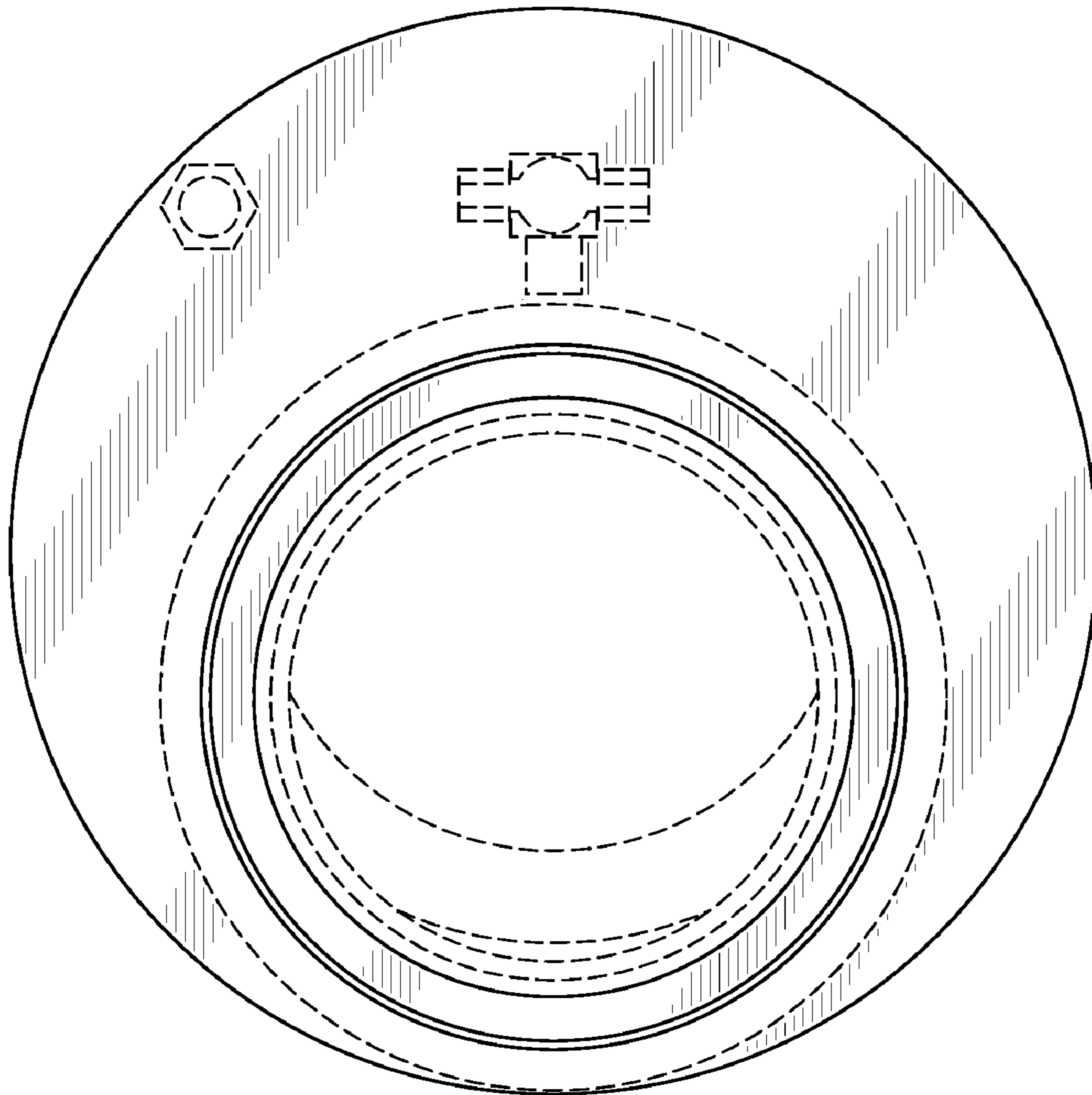


FIG. 6

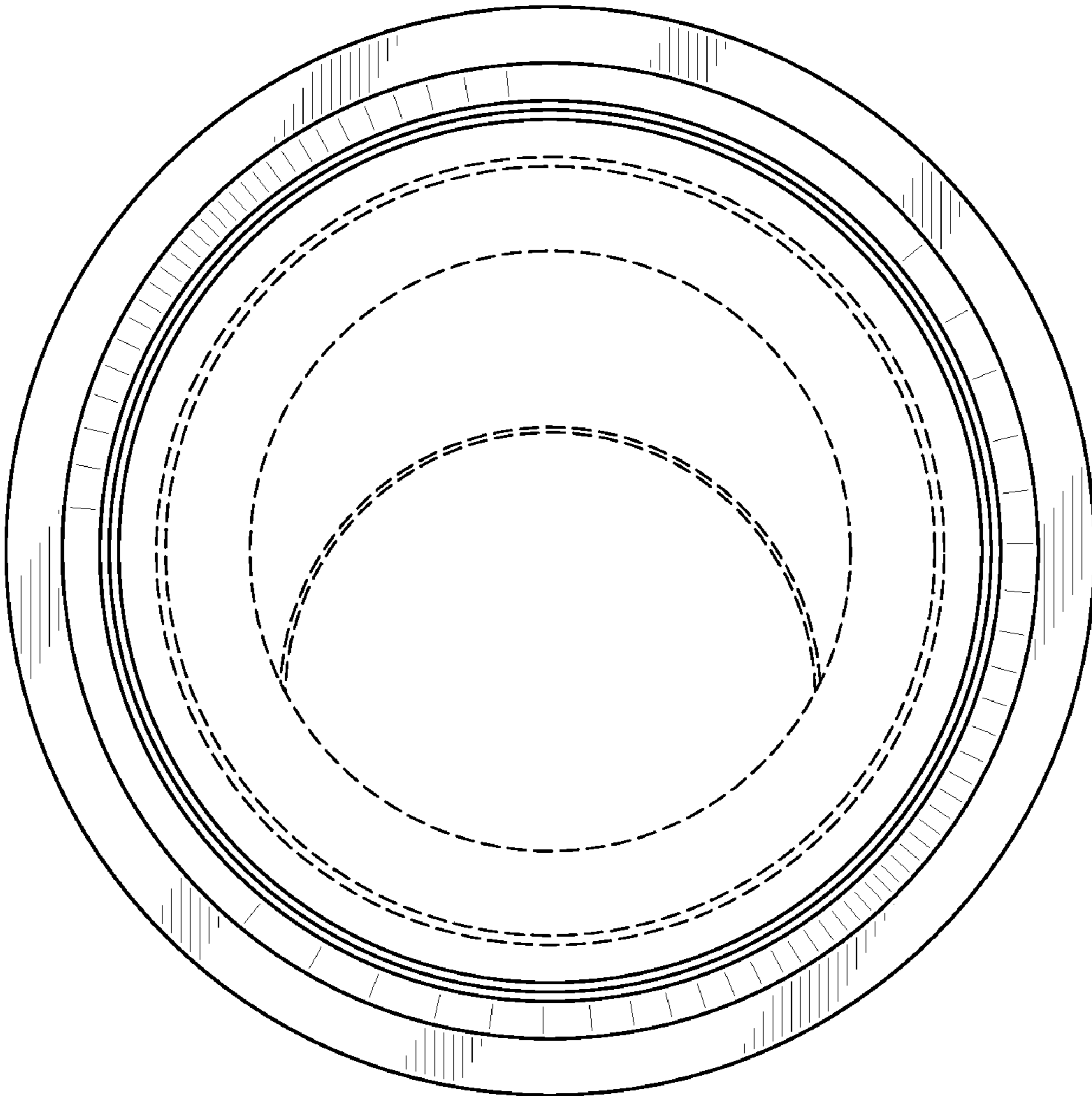


FIG. 7

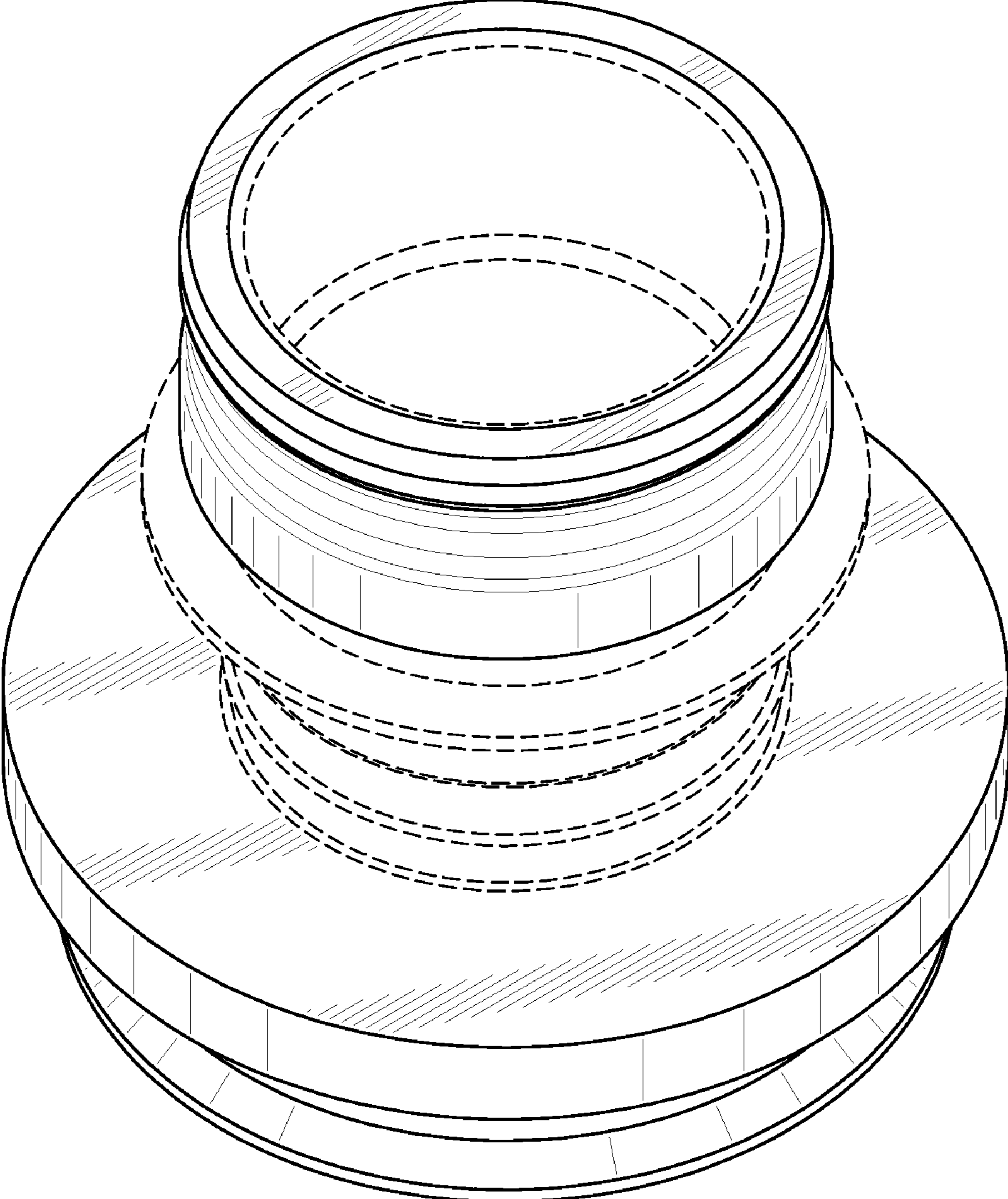


FIG. 8

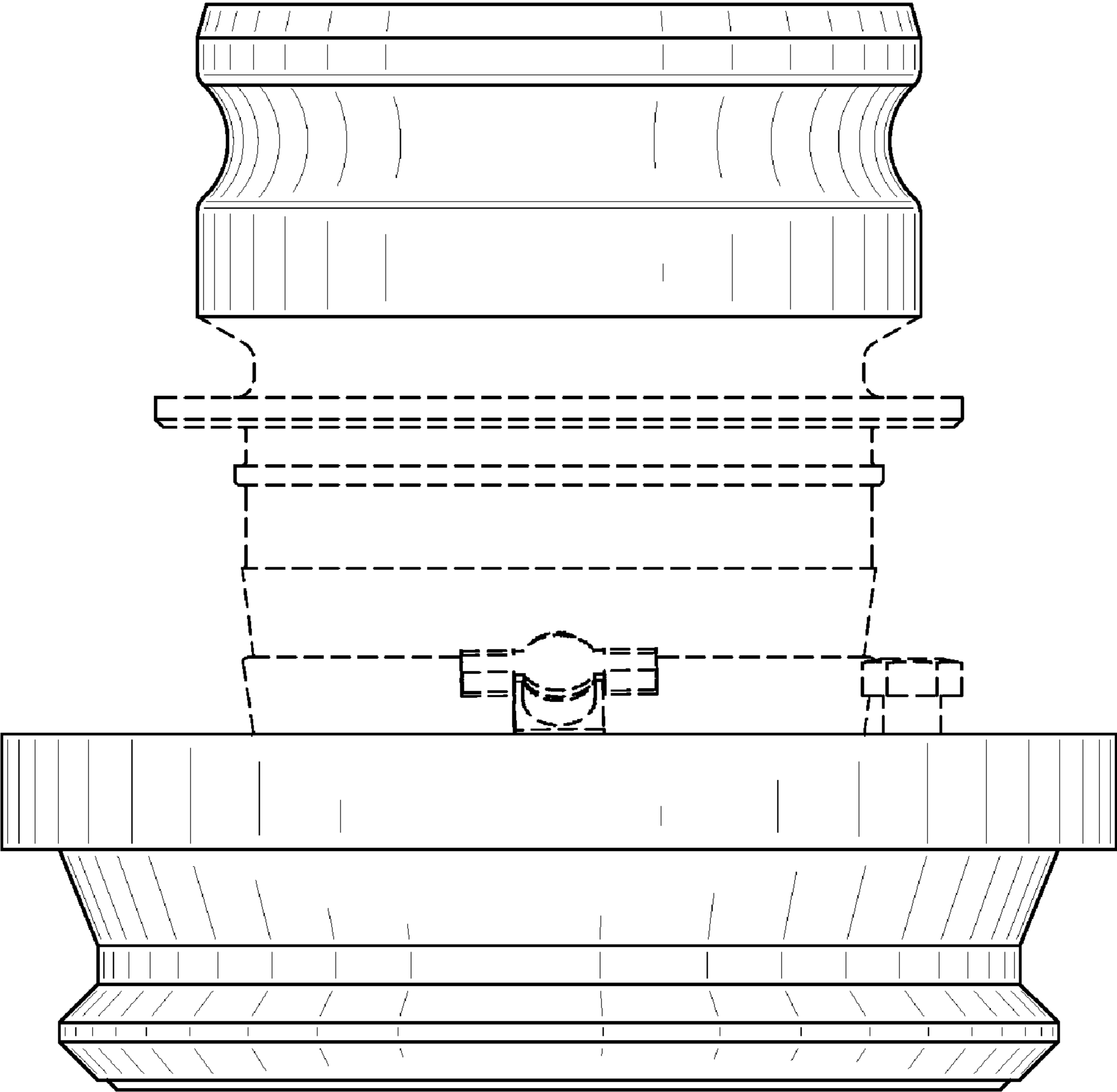


FIG. 9

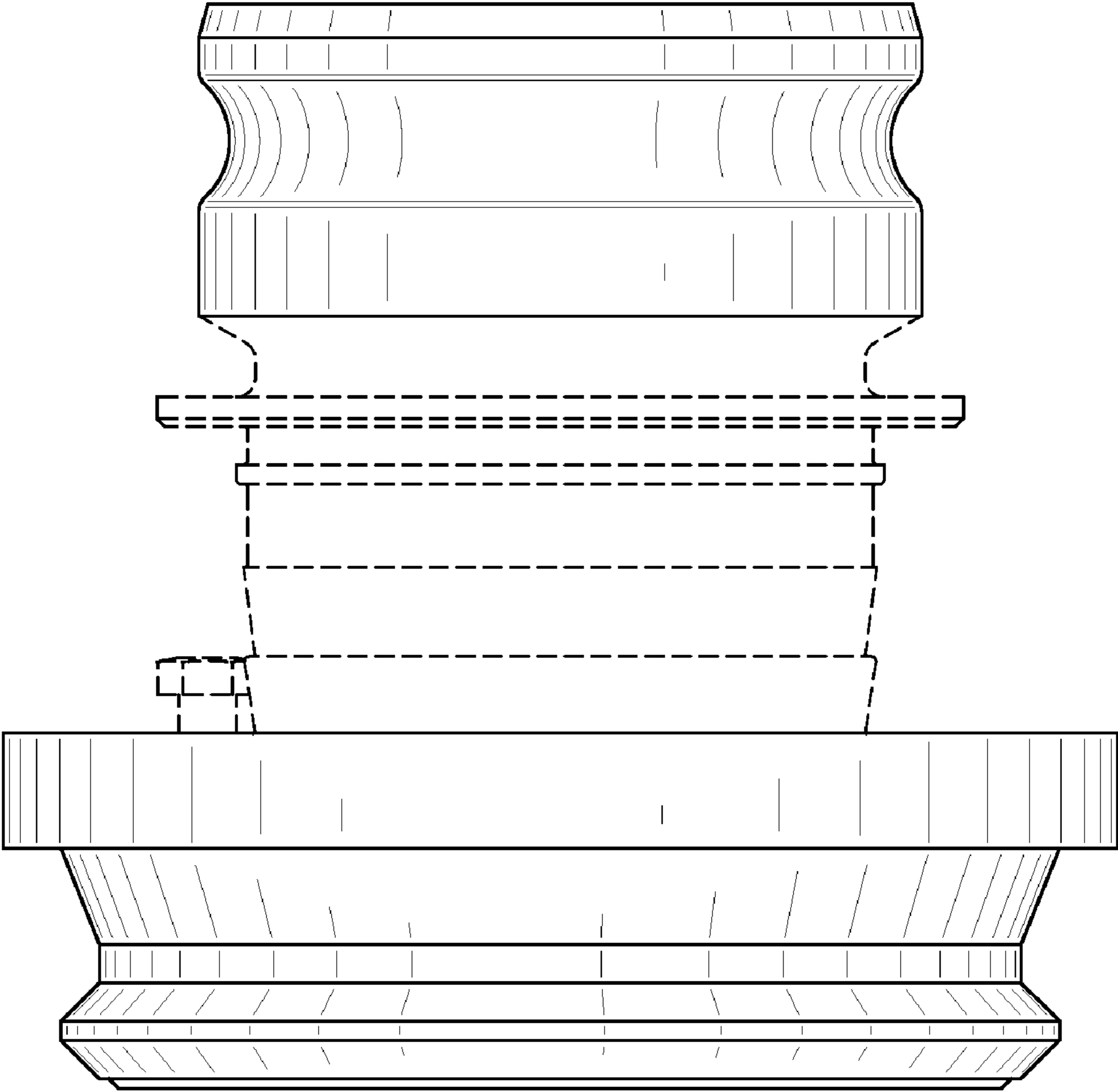


FIG. 10

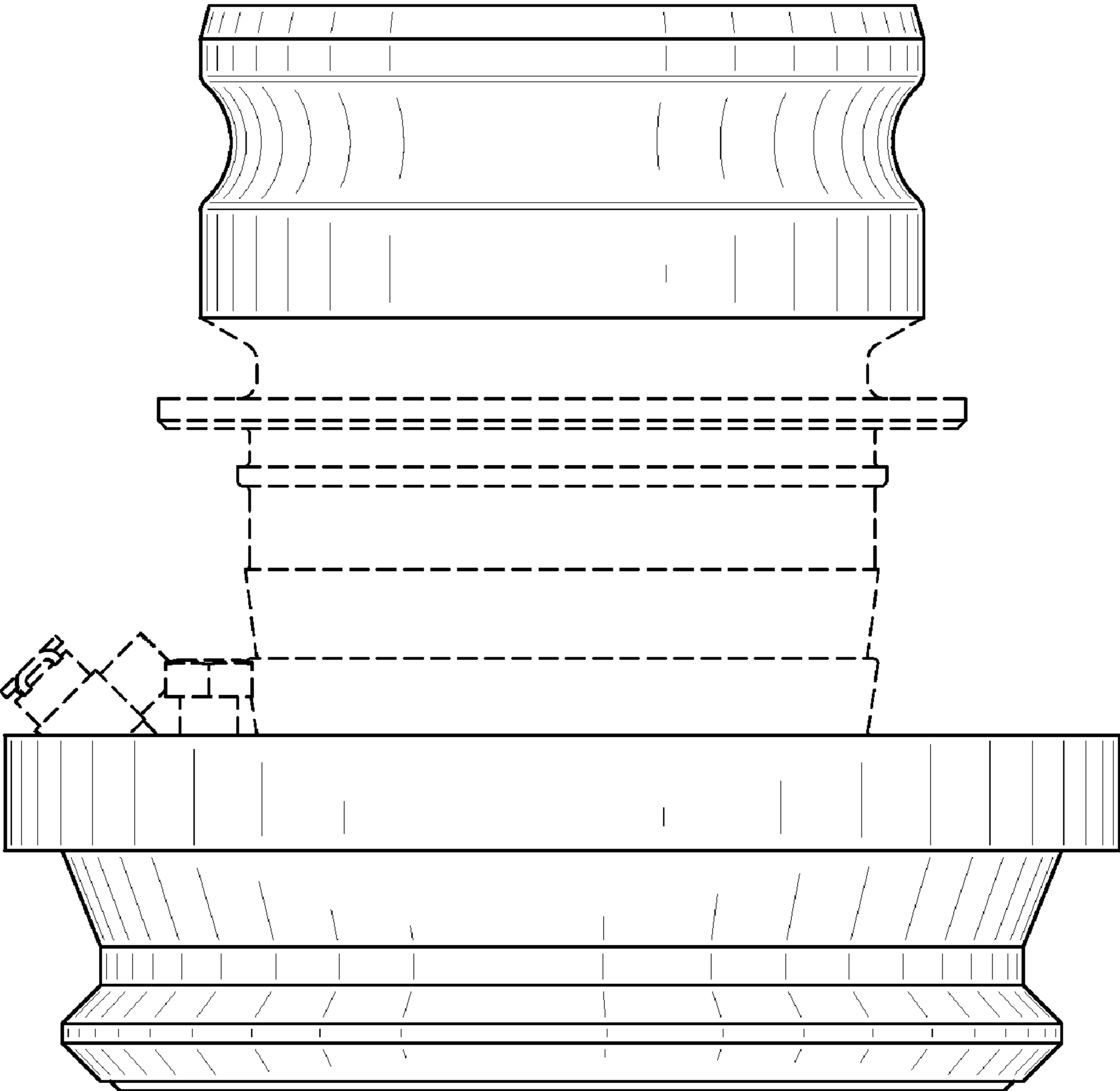


FIG. 11

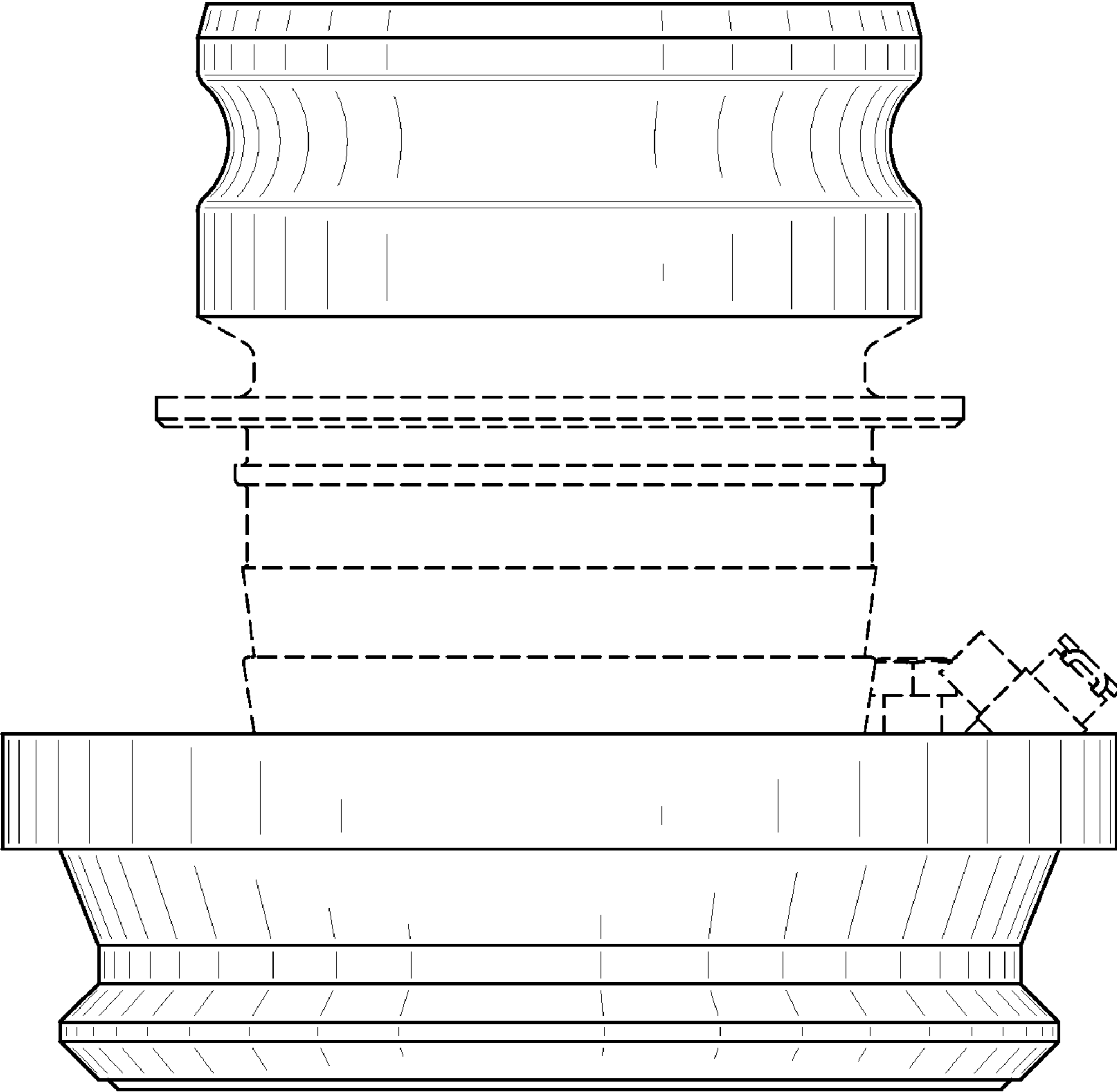


FIG. 12

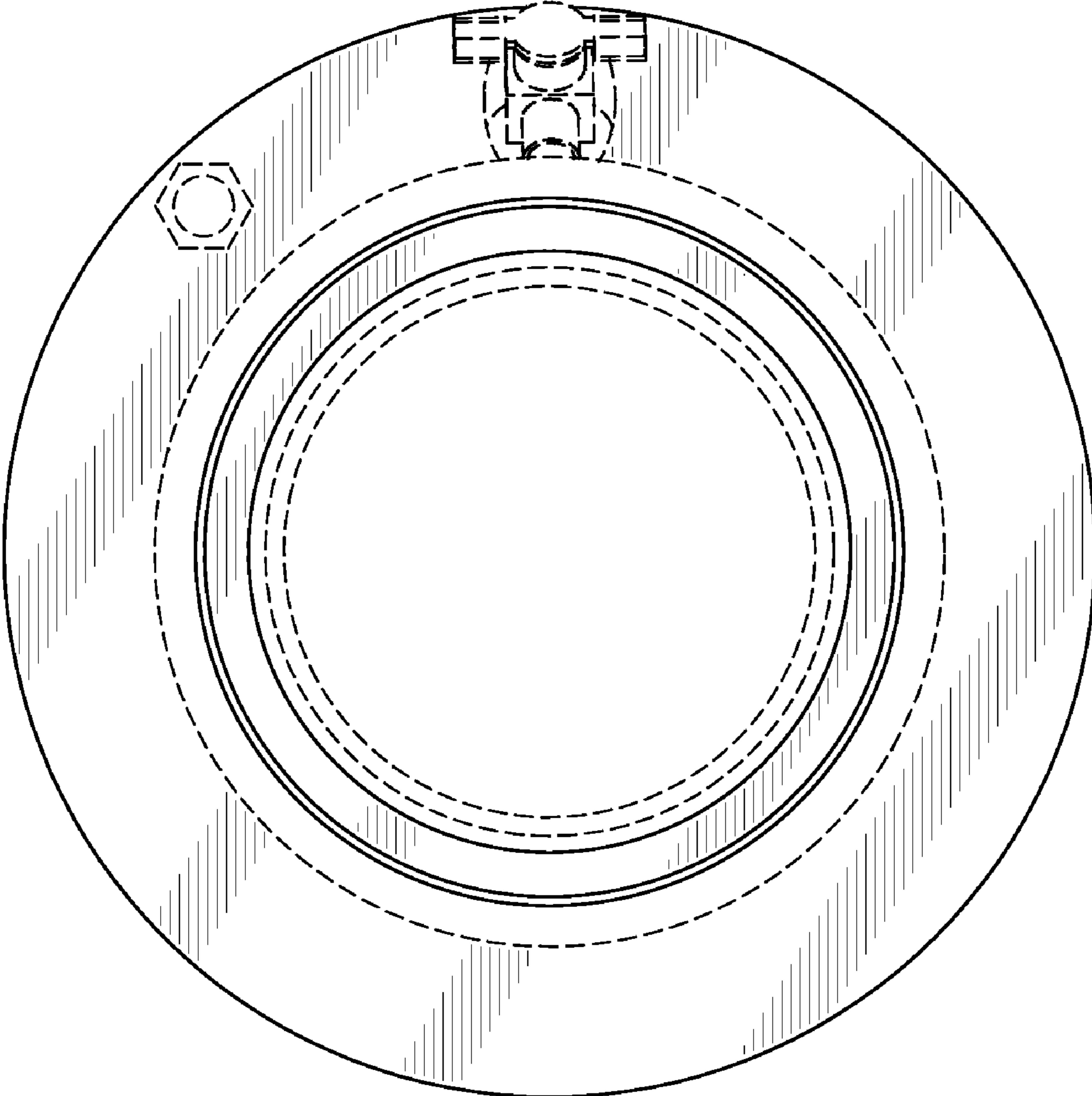


FIG. 13

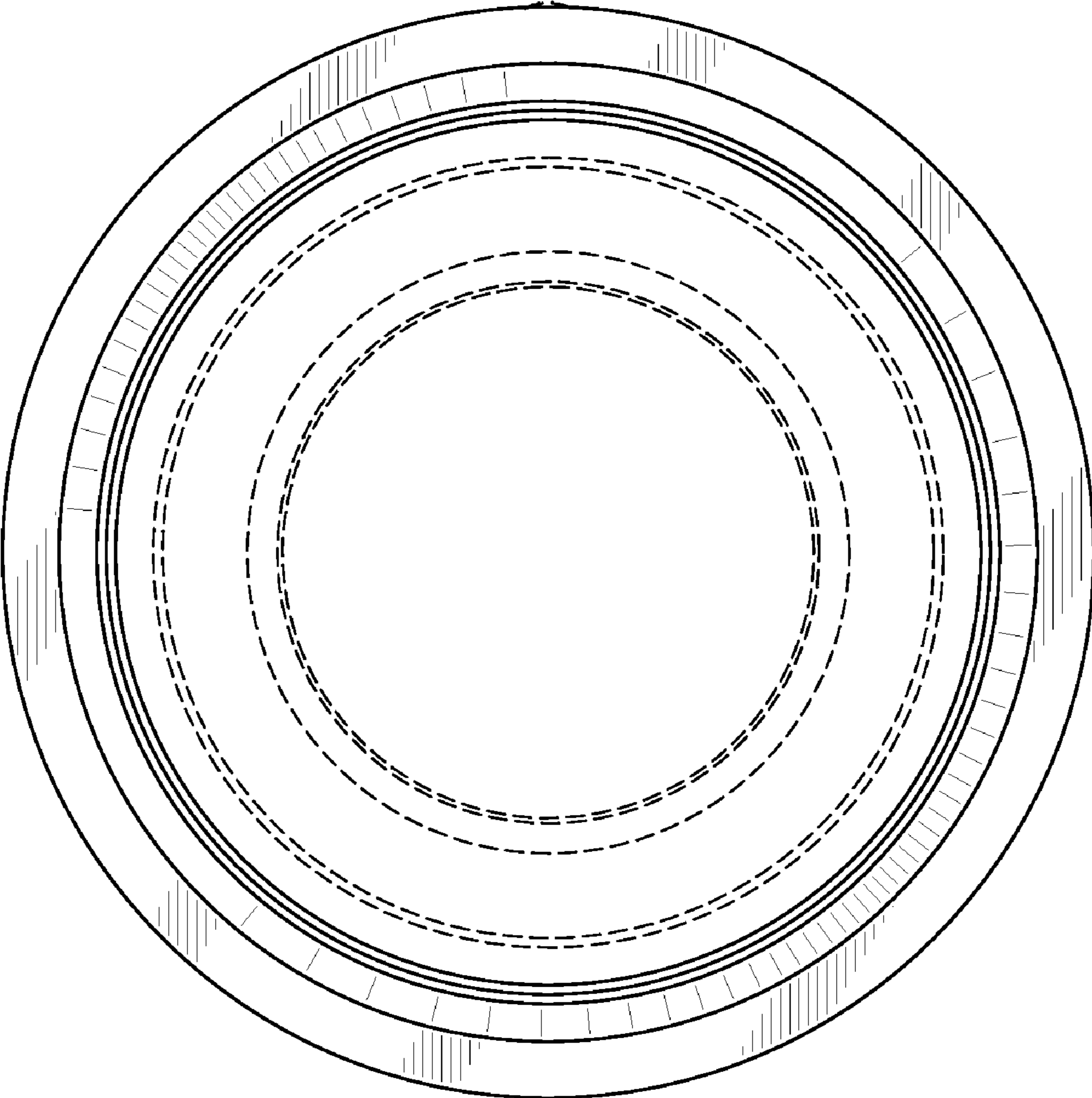


FIG. 14