



US00D617880S

(12) **United States Design Patent**
Johnson

(10) **Patent No.:** **US D617,880 S**
(45) **Date of Patent:** **** Jun. 15, 2010**

- (54) **SLIDER VALVE FITMENT PROBE**
 - (75) Inventor: **James W. Johnson**, Delaware, OH (US)
 - (73) Assignee: **Liqu-Box Corporation**, Worthington, OH (US)
 - (**) Term: **14 Years**
 - (21) Appl. No.: **29/330,085**
 - (22) Filed: **Dec. 29, 2008**
 - (51) **LOC (9) Cl.** **23-01**
 - (52) **U.S. Cl.** **D23/262**
 - (58) **Field of Classification Search** D23/259-268;
137/614.03; 141/346-351, 383-385; 251/149.6,
251/149.1
- See application file for complete search history.

- D508,111 S * 8/2005 Karasawa D23/262
- 6,953,070 B1 * 10/2005 Labinski et al. 141/351
- D511,203 S * 11/2005 Bressler et al. D23/262
- 7,487,951 B2 * 2/2009 Johnson 251/149.1
- 2002/0139423 A1 * 10/2002 Roethel 137/614.03
- 2004/0256424 A1 * 12/2004 Johnson 222/518
- 2008/0053568 A1 * 3/2008 Johnson 141/383

* cited by examiner

Primary Examiner—T. Chase Nelson
Assistant Examiner—Eric L Goodman

(57) **CLAIM**

The ornamental design for a slider valve fitment probe, as shown and described.

DESCRIPTION

FIG. 1 is a top perspective view of a slider valve fitment probe. FIG. 2 is a bottom perspective view of the slider valve fitment probe. FIG. 3 is a front view of the slider valve fitment probe. FIG. 4 is a back side view of the slider valve fitment probe. FIG. 5 is a side view of the slider valve fitment probe. FIG. 6 is a top view of the slider valve fitment probe. FIG. 7 is a bottom view of the slider valve fitment probe; and, FIG. 8 is a second top perspective view of the slider valve fitment probe, including environmental features.

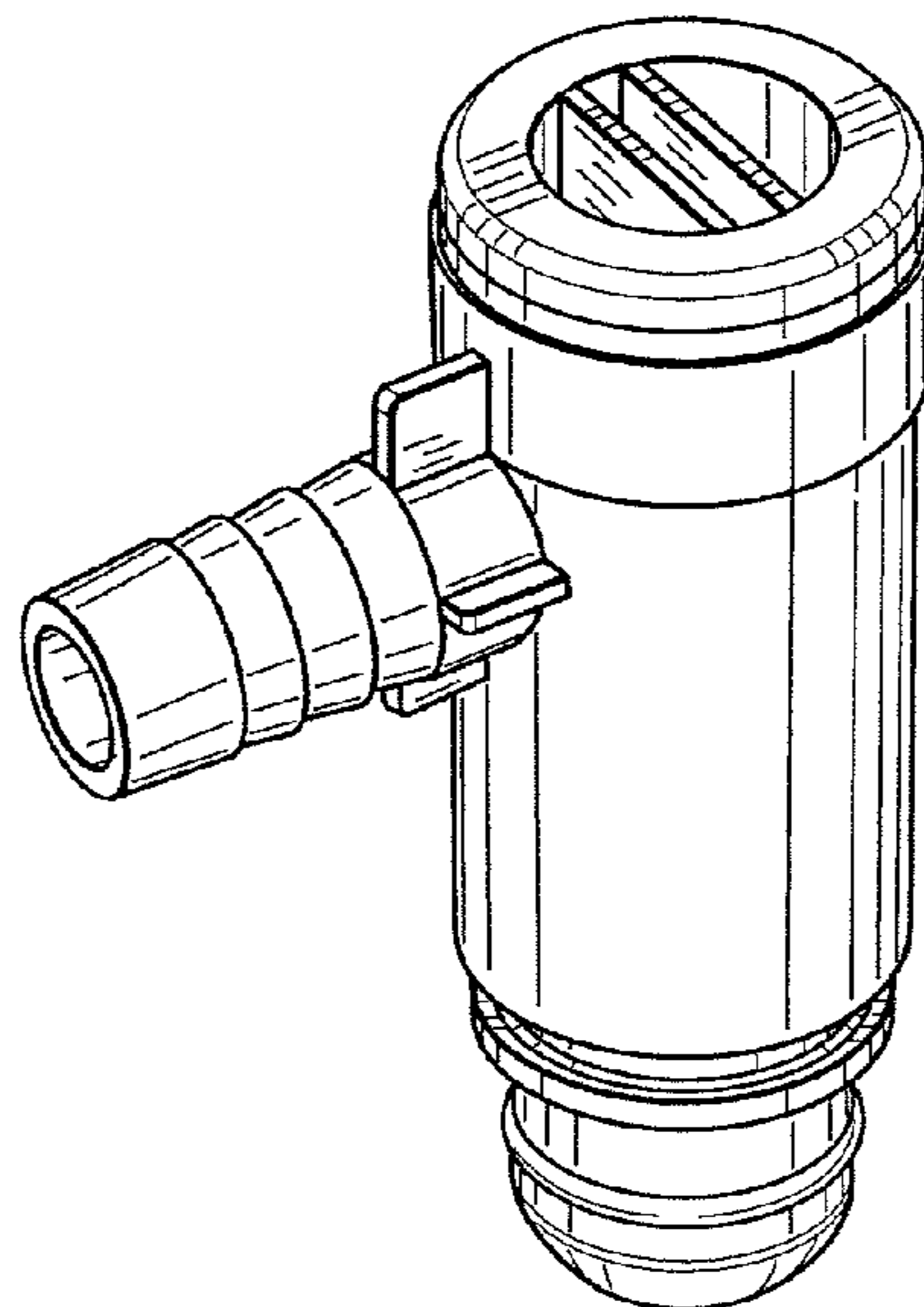
The broken line showing in FIG. 3 is included for the purpose of illustrating portions of the article and forms no part of the claimed design. The broken line shown immediately adjacent to the claimed portions in FIGS. 3 and 6 defines the bounds of the claimed design and form no part of the claimed design in each figure. The broken line showing of the collar in FIG. 8 is included for the purpose of illustrating environmental structure and forms no part of the claimed design.

1 Claim, 4 Drawing Sheets

(56) **References Cited**

U.S. PATENT DOCUMENTS

4,305,517	A	12/1981	Dennis	
4,371,089	A	2/1983	Barendregt	
4,421,146	A *	12/1983	Bond et al.	141/349
4,445,550	A	5/1984	Davis et al.	
4,445,551	A *	5/1984	Bond et al.	141/349
5,009,323	A	4/1991	Montgomery et al.	
5,031,662	A *	7/1991	Roethel	137/614.03
5,095,962	A *	3/1992	Lloyd-Davies et al.	141/346
5,303,837	A	4/1994	Adams et al.	
5,456,375	A	10/1995	May	
5,680,970	A *	10/1997	Smith et al.	222/514
5,697,410	A *	12/1997	Rutter et al.	141/346
5,901,761	A *	5/1999	Rutter et al.	141/346
5,983,964	A *	11/1999	Zielinski et al.	141/346
D421,098	S *	2/2000	Wrigley et al.	D23/249
6,347,785	B1 *	2/2002	Copp et al.	251/149.6
6,648,016	B2 *	11/2003	Farrenkopf et al.	137/588
6,779,556	B2 *	8/2004	Roethel	137/614.03
D501,673	S *	2/2005	Bressler et al.	D23/262



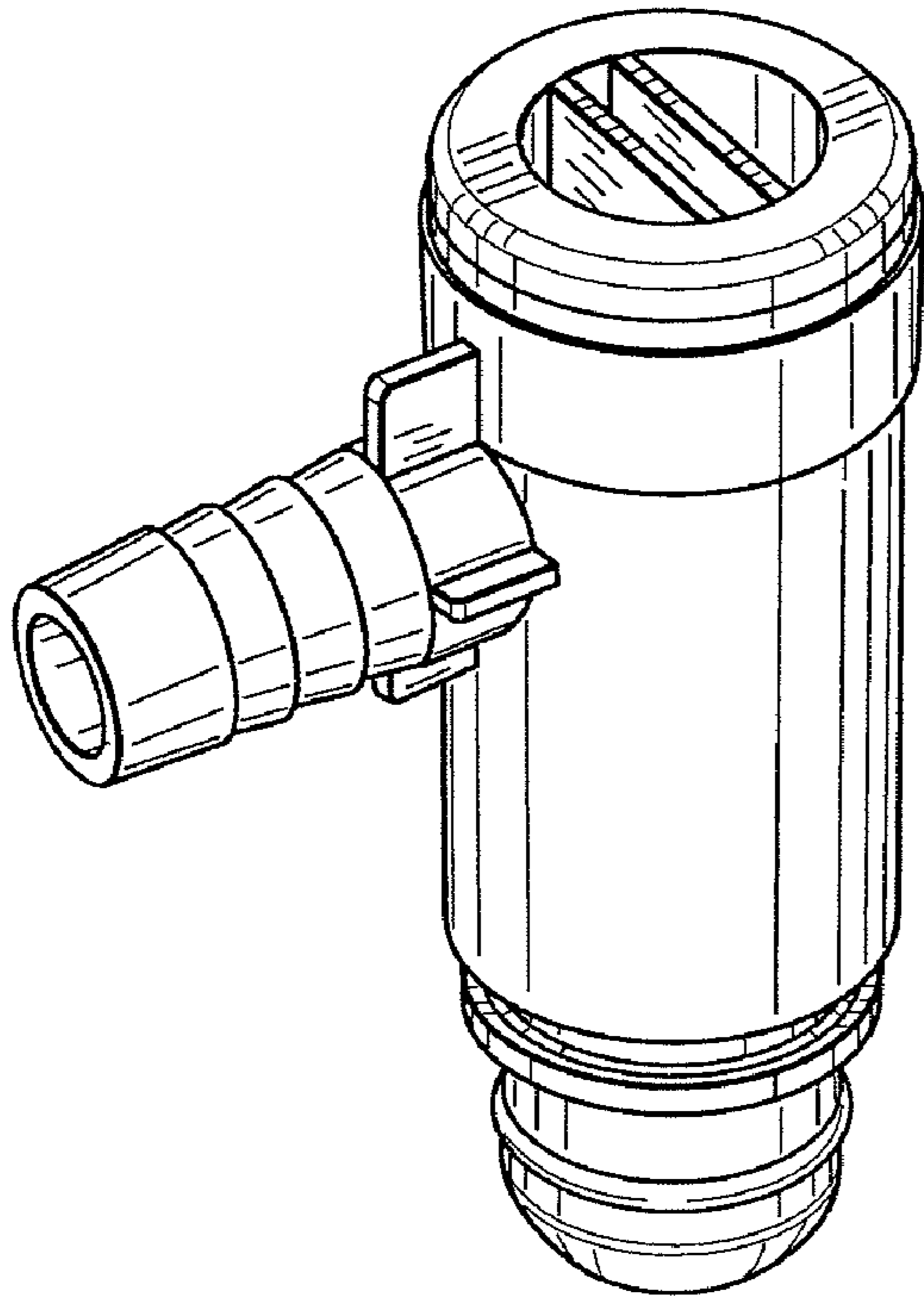


FIG. 1

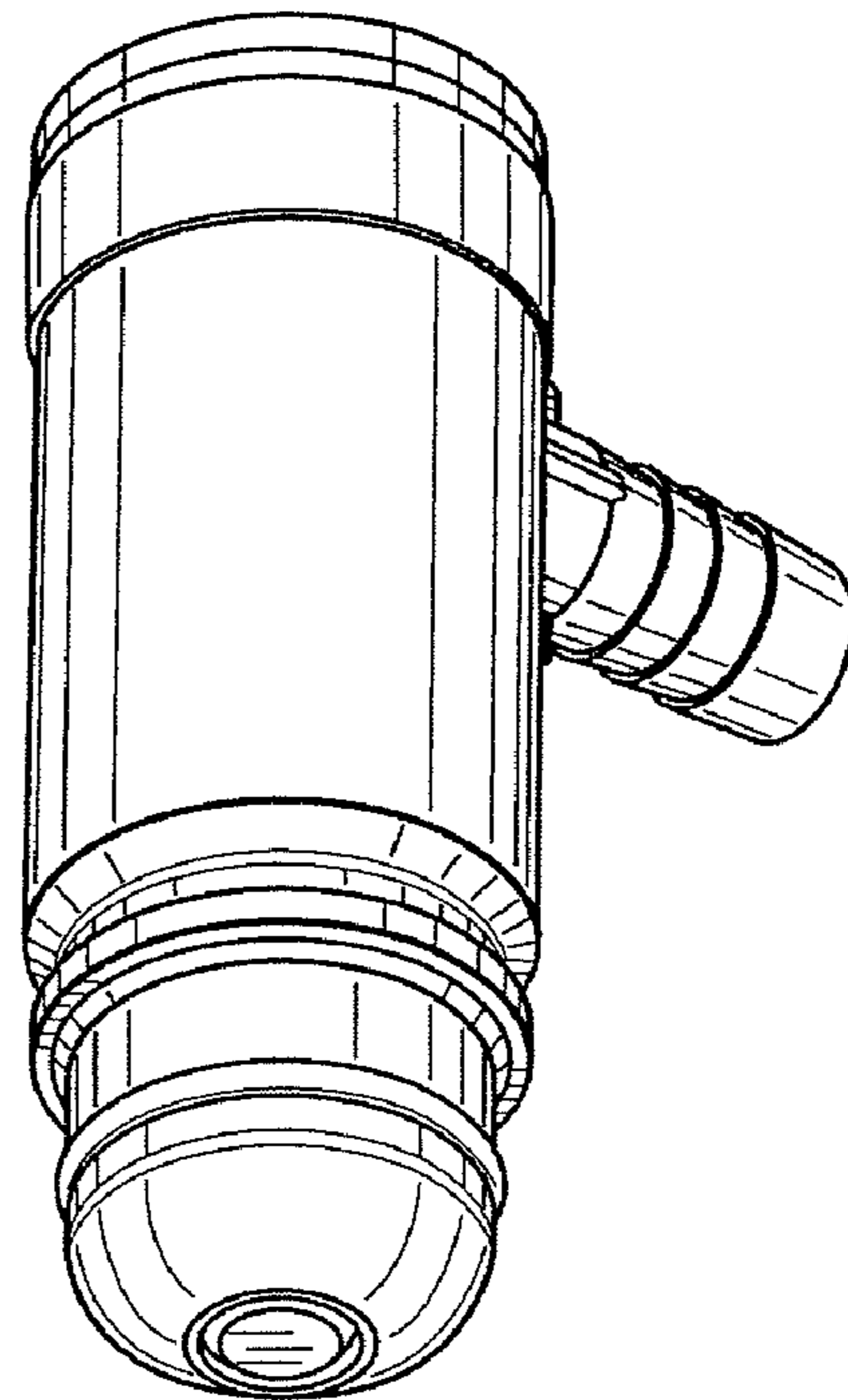


FIG. 2

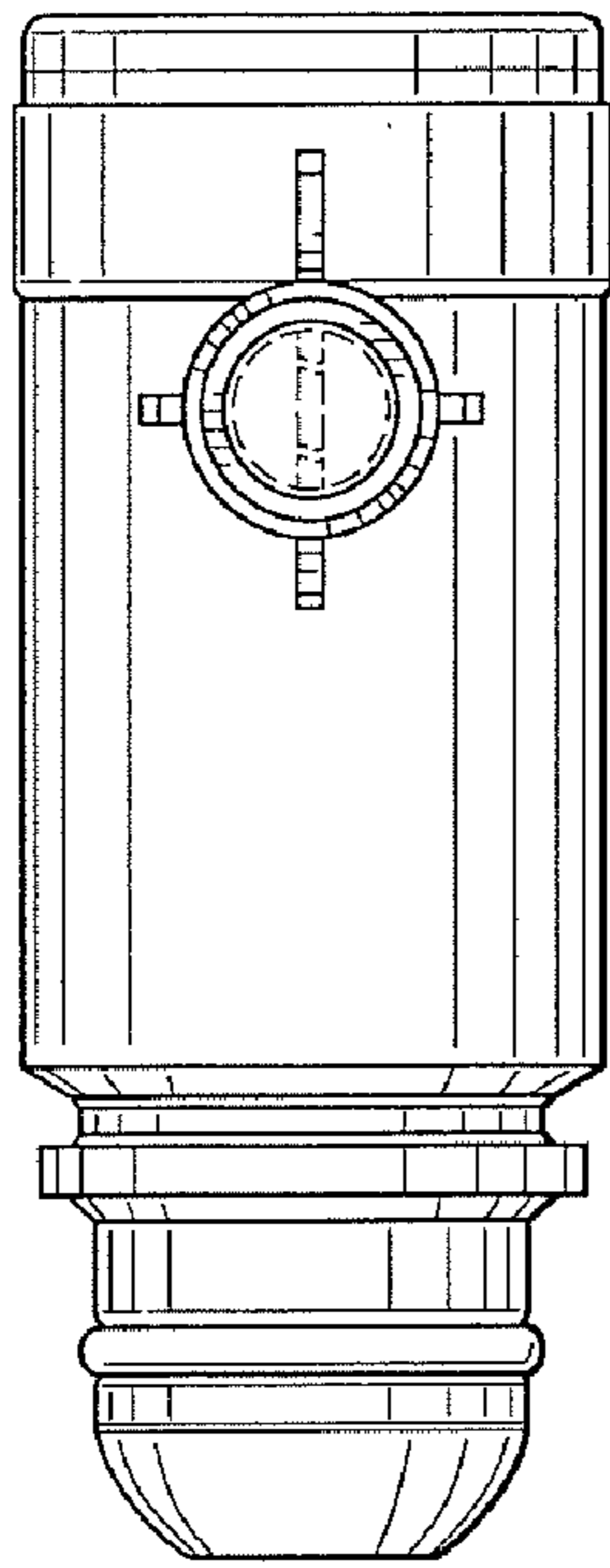


FIG. 3

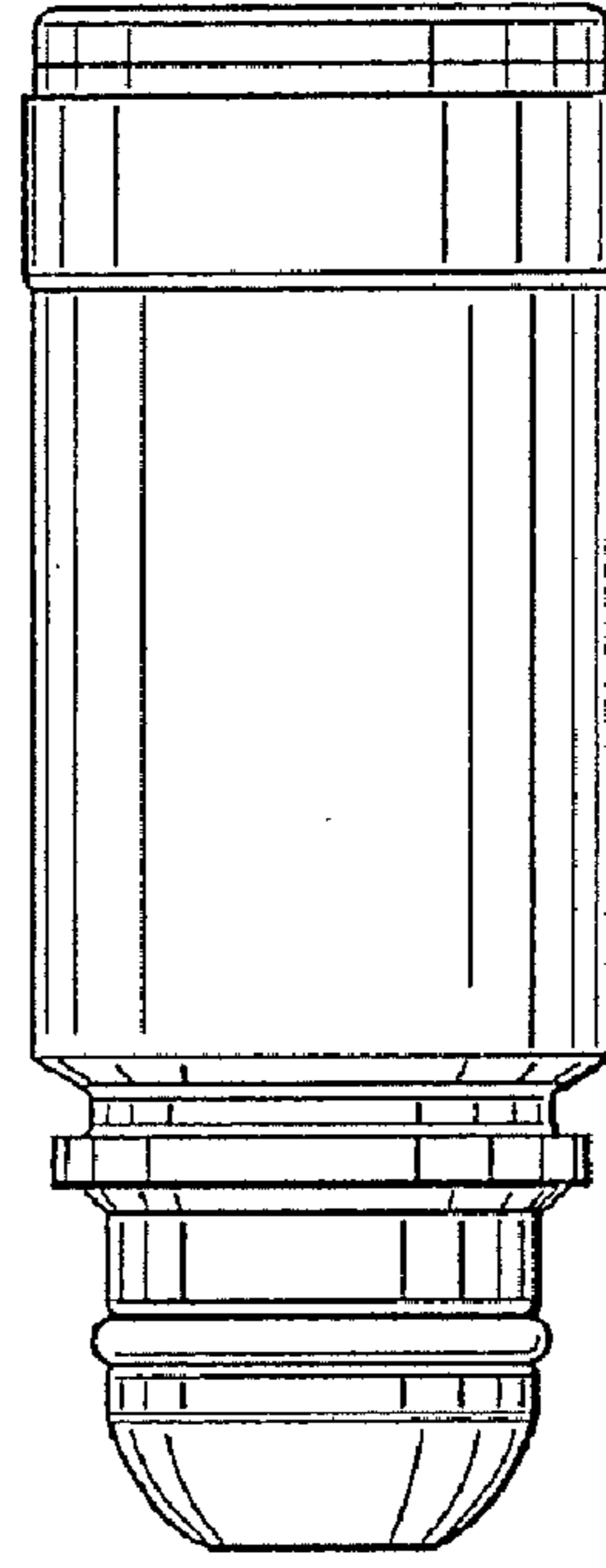


FIG. 4

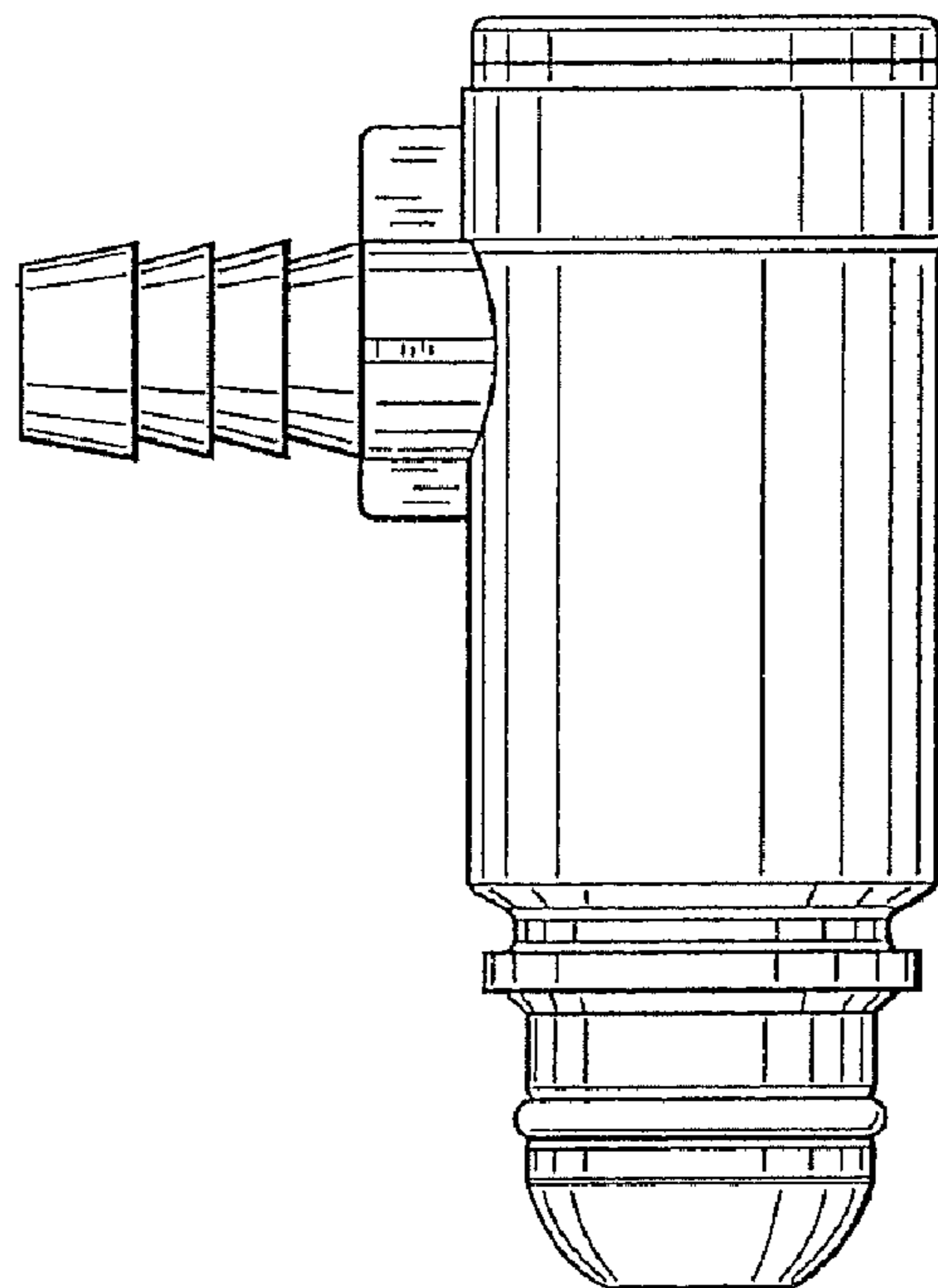


FIG. 5

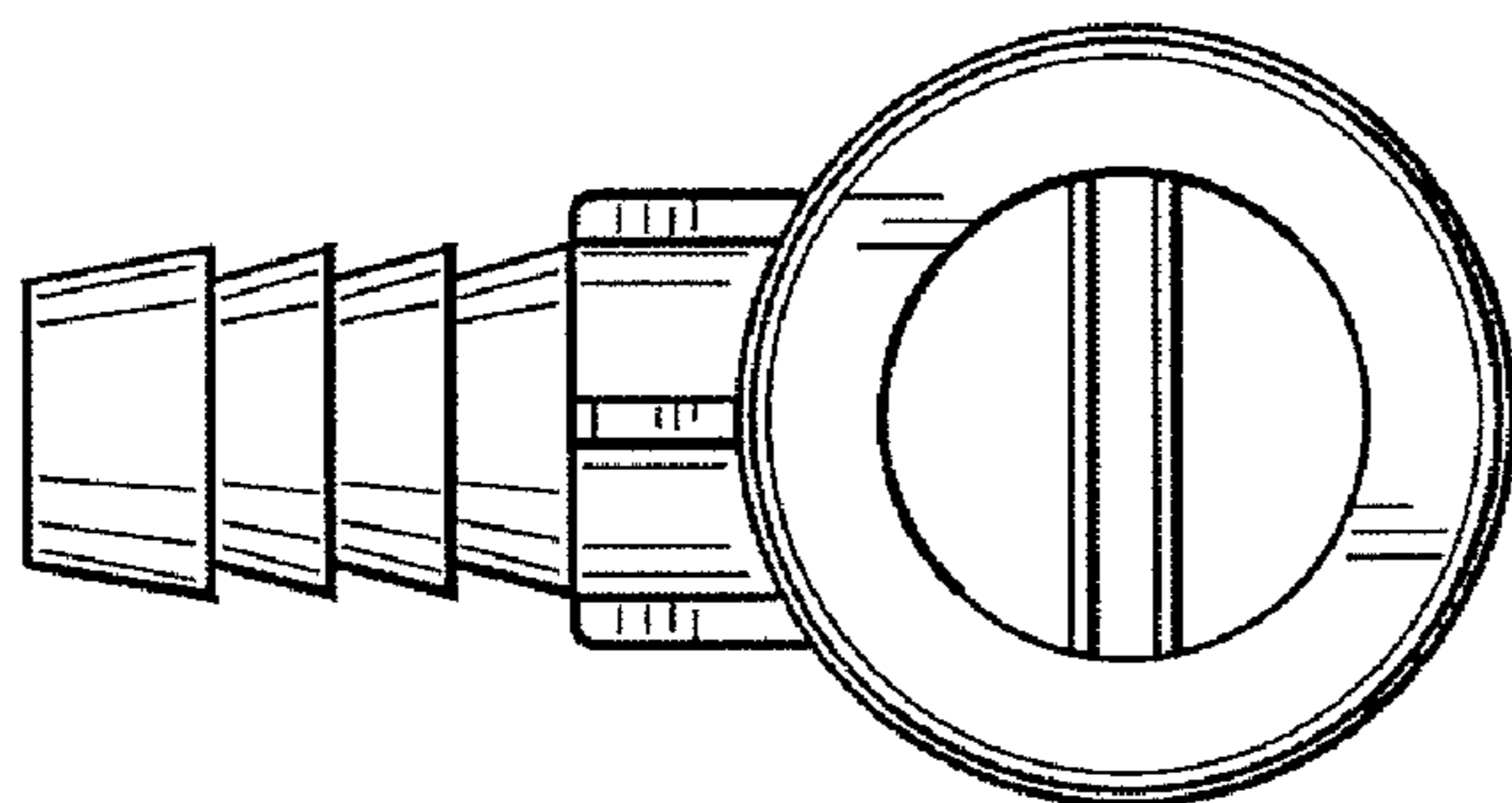


FIG. 6

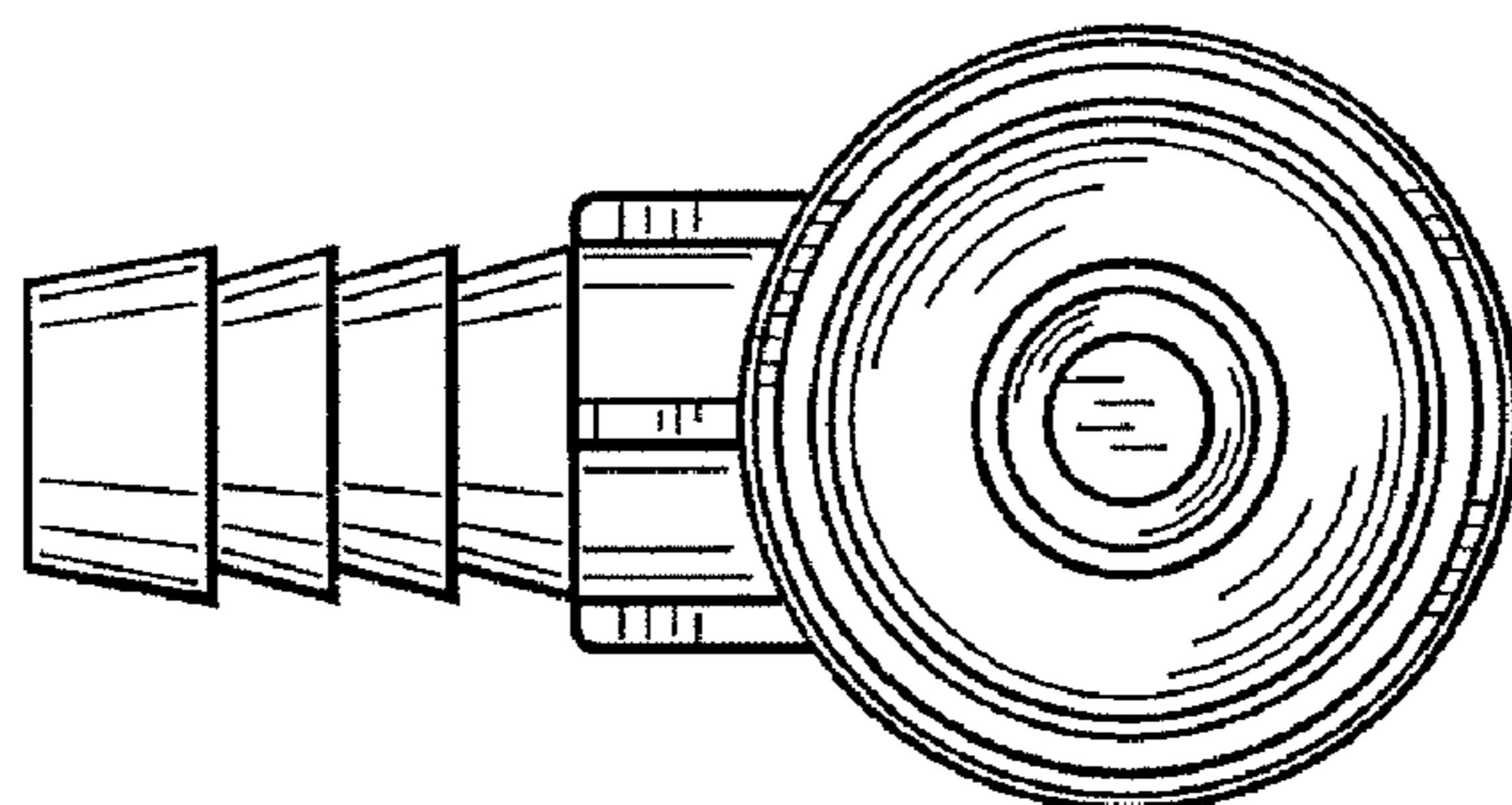


FIG. 7

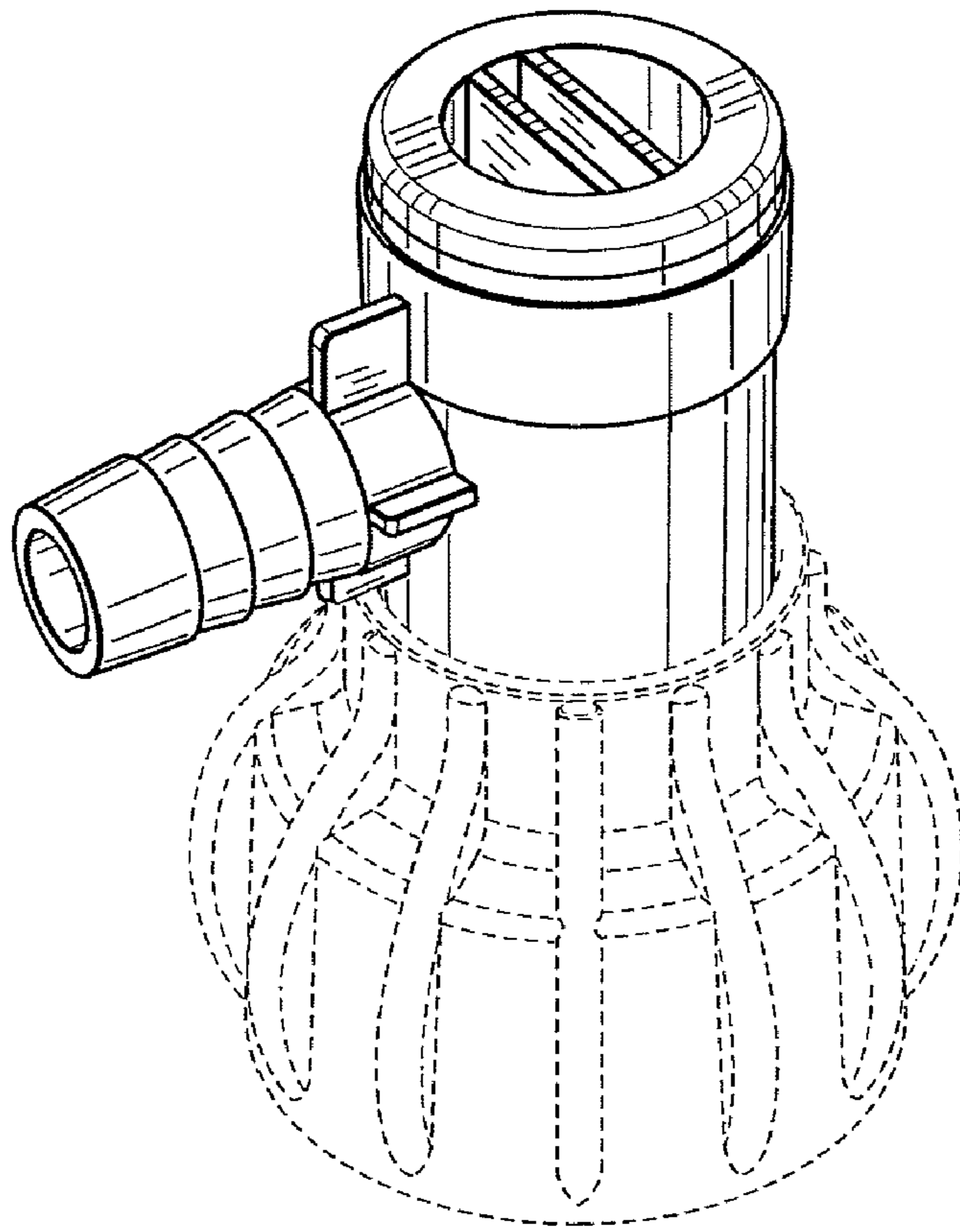


FIG. 8