



US00D617878S

(12) **United States Design Patent**  
**Weingarten**

(10) **Patent No.:** **US D617,878 S**  
(45) **Date of Patent:** **\*\* Jun. 15, 2010**

(54) **HYDRAULIC CONTROL VALVE**

(75) Inventor: **Zvi Weingarten**, Kibbutz Evron (IL)

(73) Assignee: **Bermad CS Ltd.**, Kibbutz Avron (IL)

(\*\*) Term: **14 Years**

(21) Appl. No.: **29/290,105**

(22) Filed: **Oct. 22, 2007**

(51) **LOC (9) Cl.** ..... **23-01**

(52) **U.S. Cl.** ..... **D23/244; D23/234**

(58) **Field of Classification Search** ..... D23/254,  
D23/249, 213, 258, 236, 233; D10/106;  
700/85, 83; 345/156; 138/46; 340/407.2;  
D13/168, 164; 137/299, 300, 138, 218, 594,  
137/318; 73/861.27

See application file for complete search history.

(56) **References Cited**

**U.S. PATENT DOCUMENTS**

4,285,500	A *	8/1981	Illing et al.	.....	251/367
D268,048	S *	2/1983	Ueda	.....	D23/248
D335,331	S *	5/1993	Weingarten	.....	D23/248
D384,300	S *	9/1997	Hendy	.....	D10/99
D460,526	S *	7/2002	Weingarten	.....	D23/244
6,467,500	B2 *	10/2002	Fridlyand	.....	137/385
D522,619	S *	6/2006	Scaramucci et al.	.....	D23/249

7,191,666	B2 *	3/2007	Parris et al.	.....	73/861.27
D560,132	S *	1/2008	Hendy	.....	D10/96
D591,831	S *	5/2009	German et al.	.....	D23/249
2004/0168726	A1 *	9/2004	Weingarten	.....	137/556

\* cited by examiner

*Primary Examiner*—Cathron C Brooks

*Assistant Examiner*—Austin Murphy

(74) *Attorney, Agent, or Firm*—Mark M. Friedman

(57) **CLAIM**

The ornamental design for the hydraulic control valve, as shown and described.

**DESCRIPTION**

FIG. 1 is a bottom plan view of a hydraulic control valve showing my design;

FIG. 2 is an inlet view thereof;

FIG. 3 is an isometric outlet view thereof;

FIG. 4 is a top view thereof;

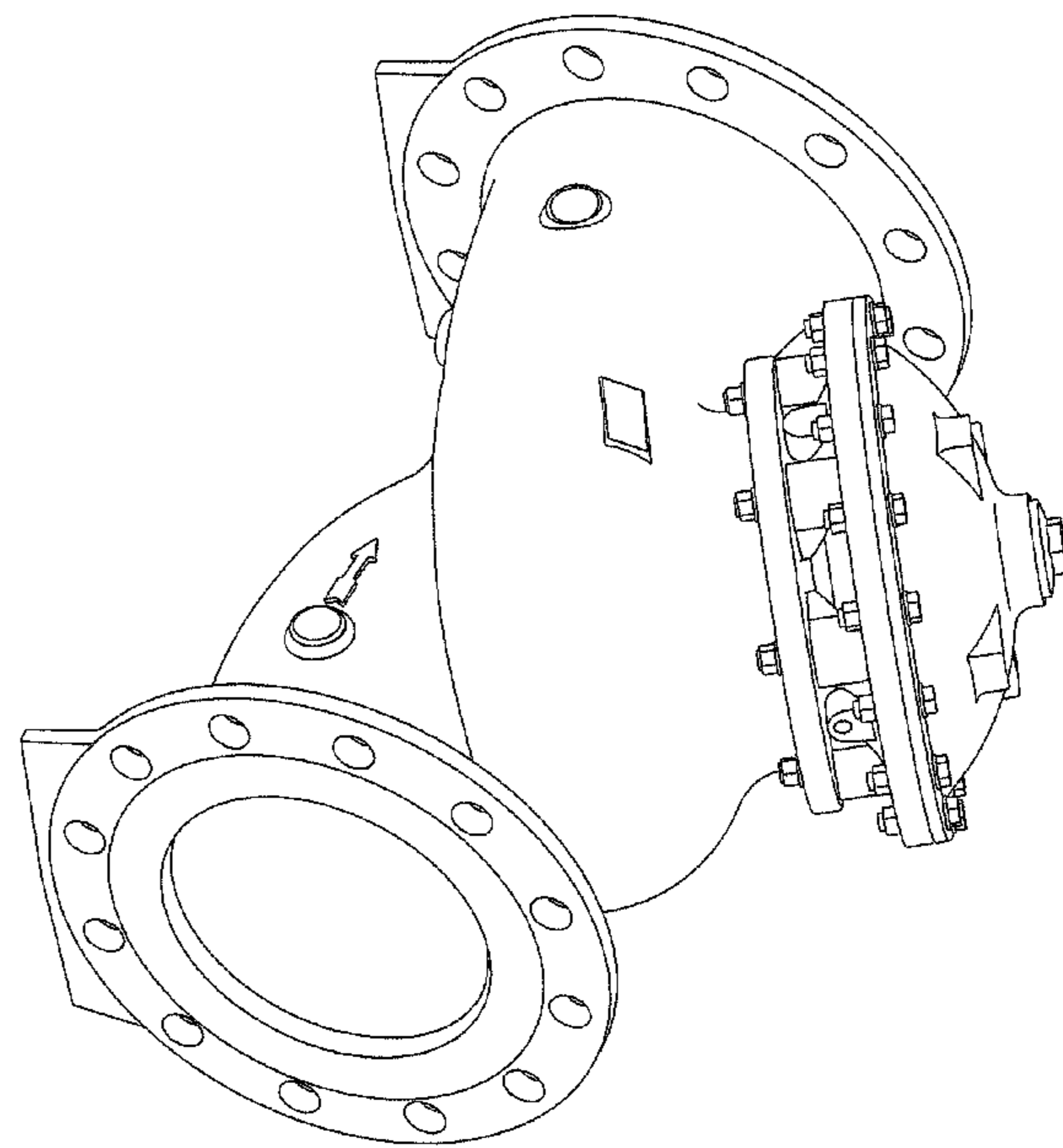
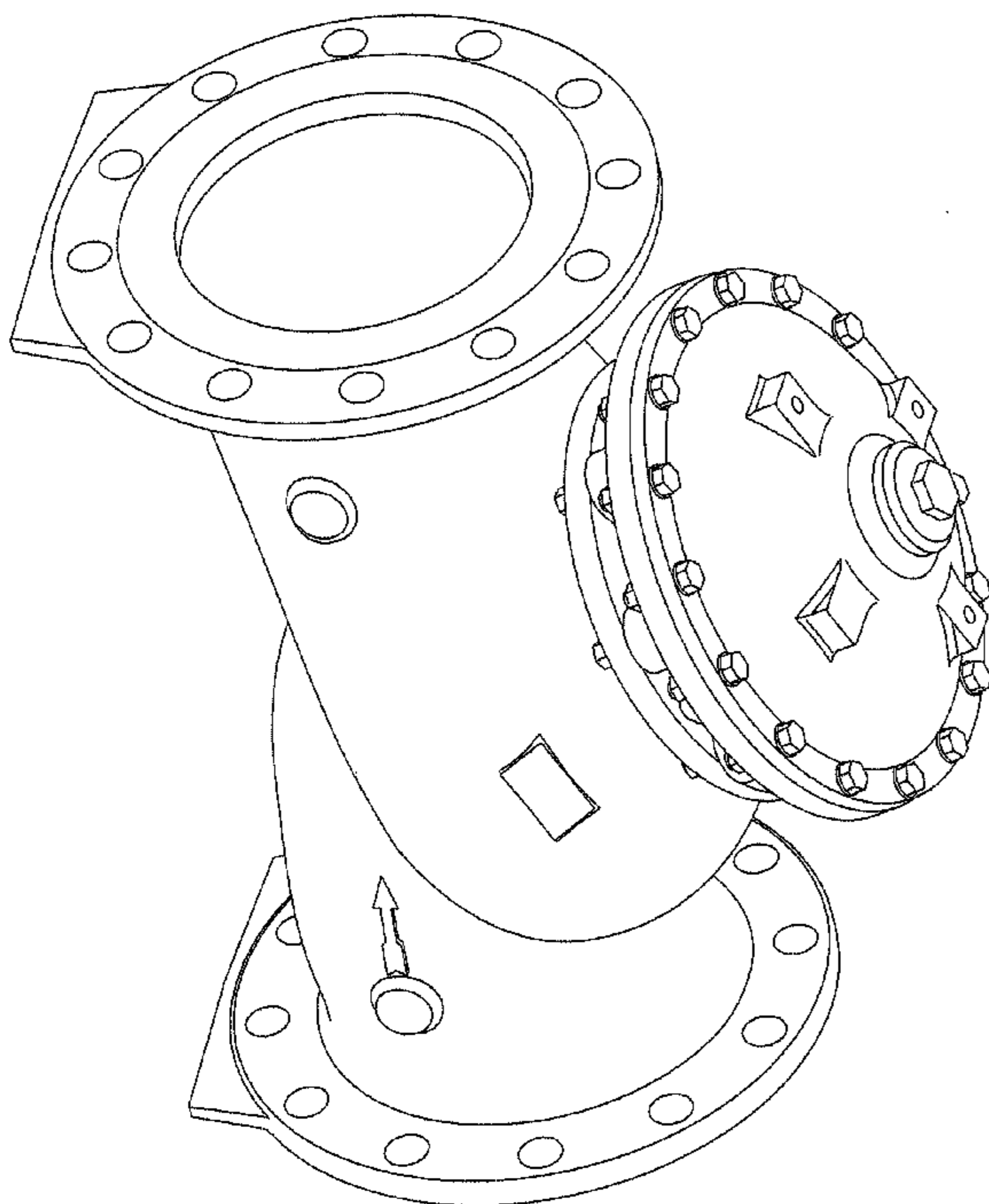
FIG. 5 is a frontal view thereof;

FIG. 6 is an isometric inlet view thereof; and,

FIG. 7 is an outlet view thereof.

The broken lines showing of unclaimed portions of the hydraulic control valve form no part of the claimed design.

**1 Claim, 7 Drawing Sheets**



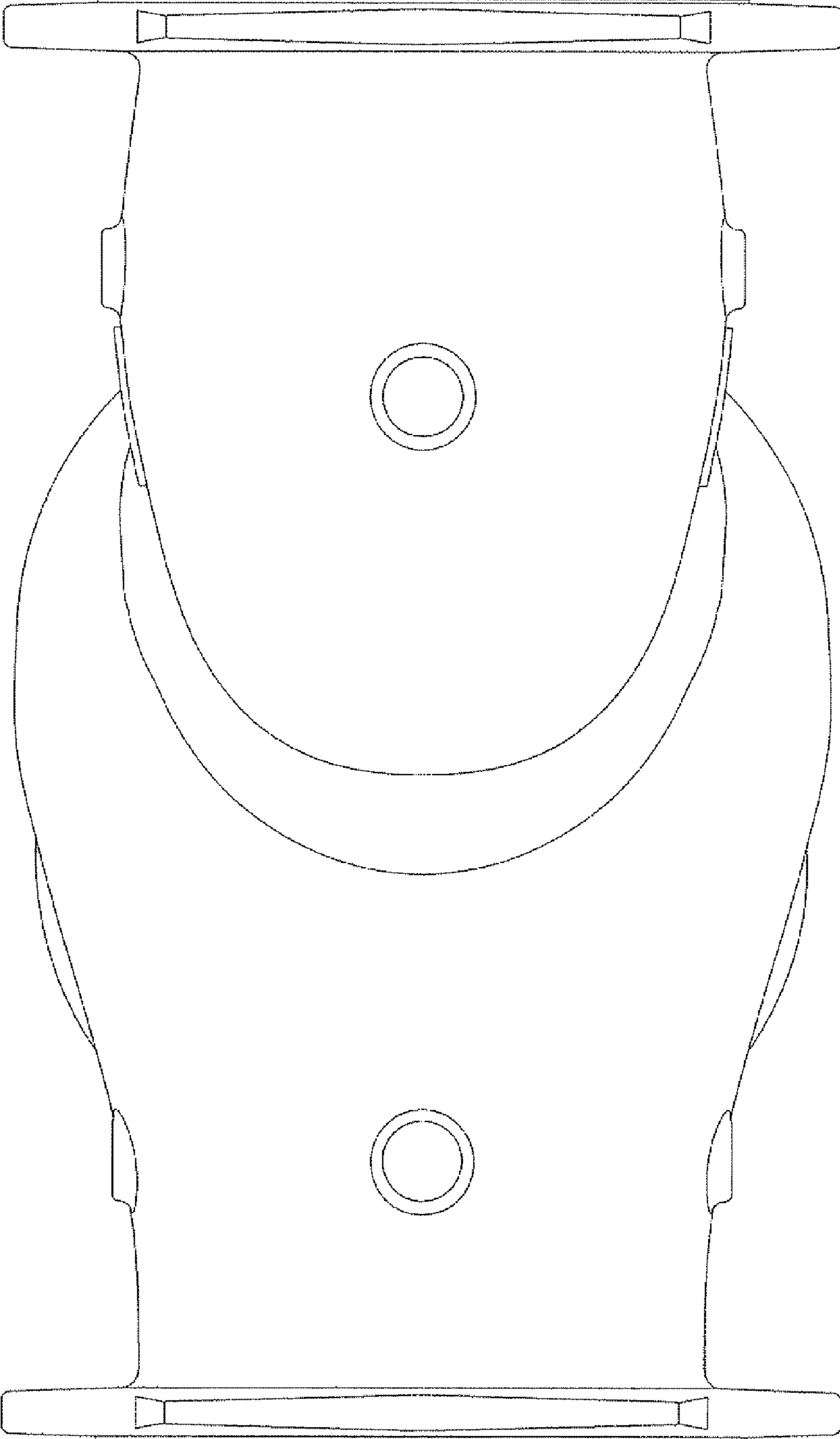


FIGURE 1

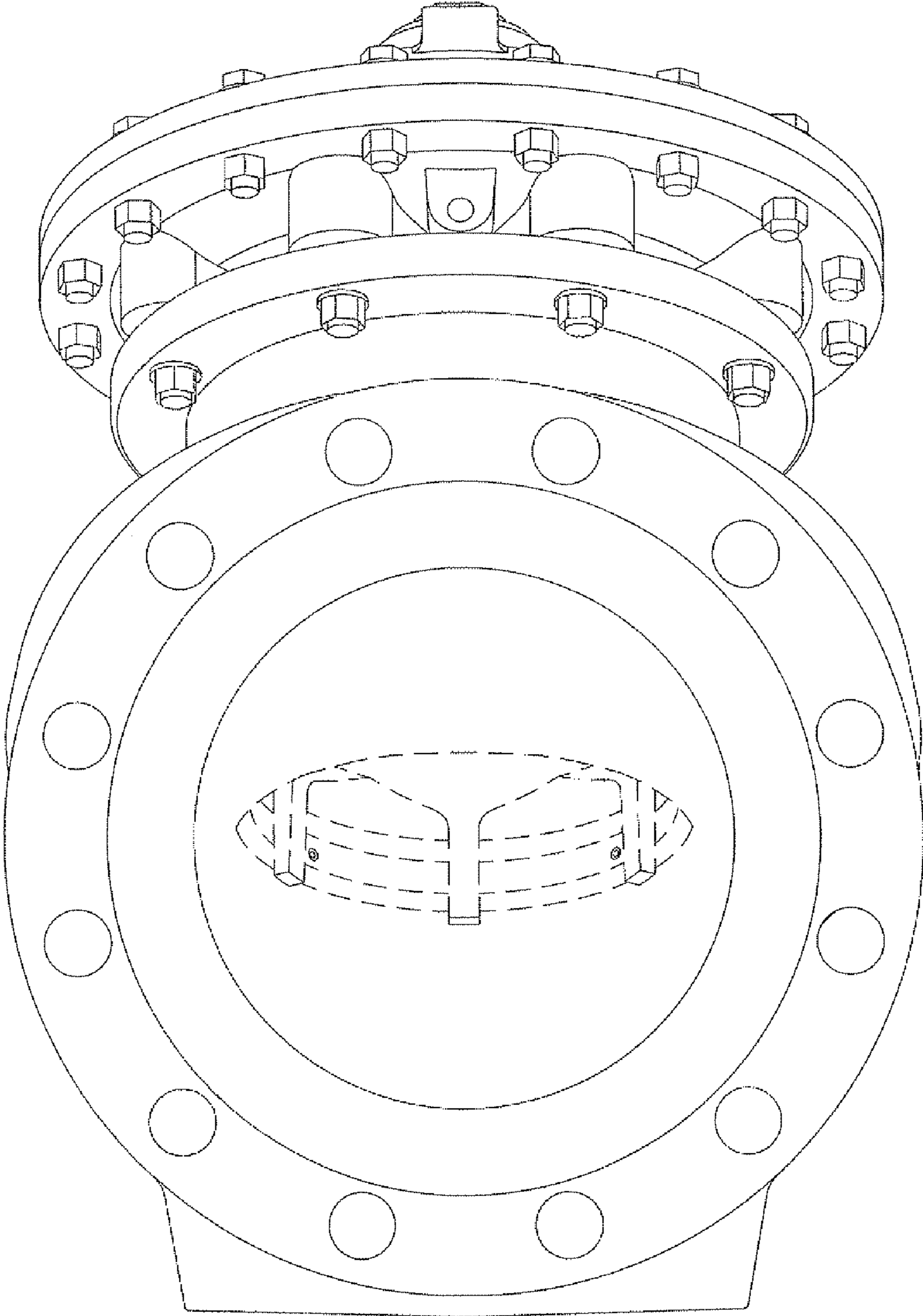


FIGURE 2

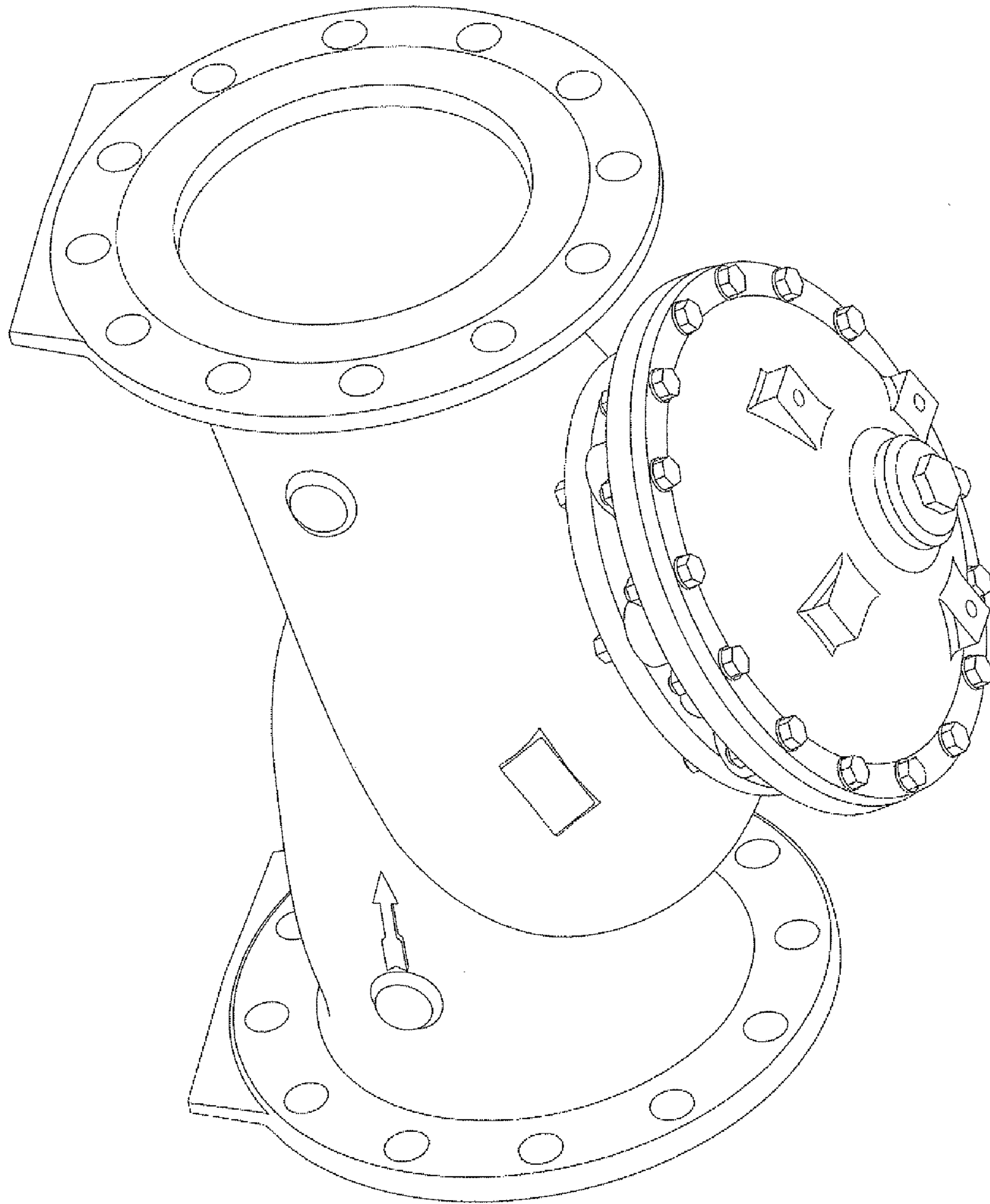


FIGURE 3

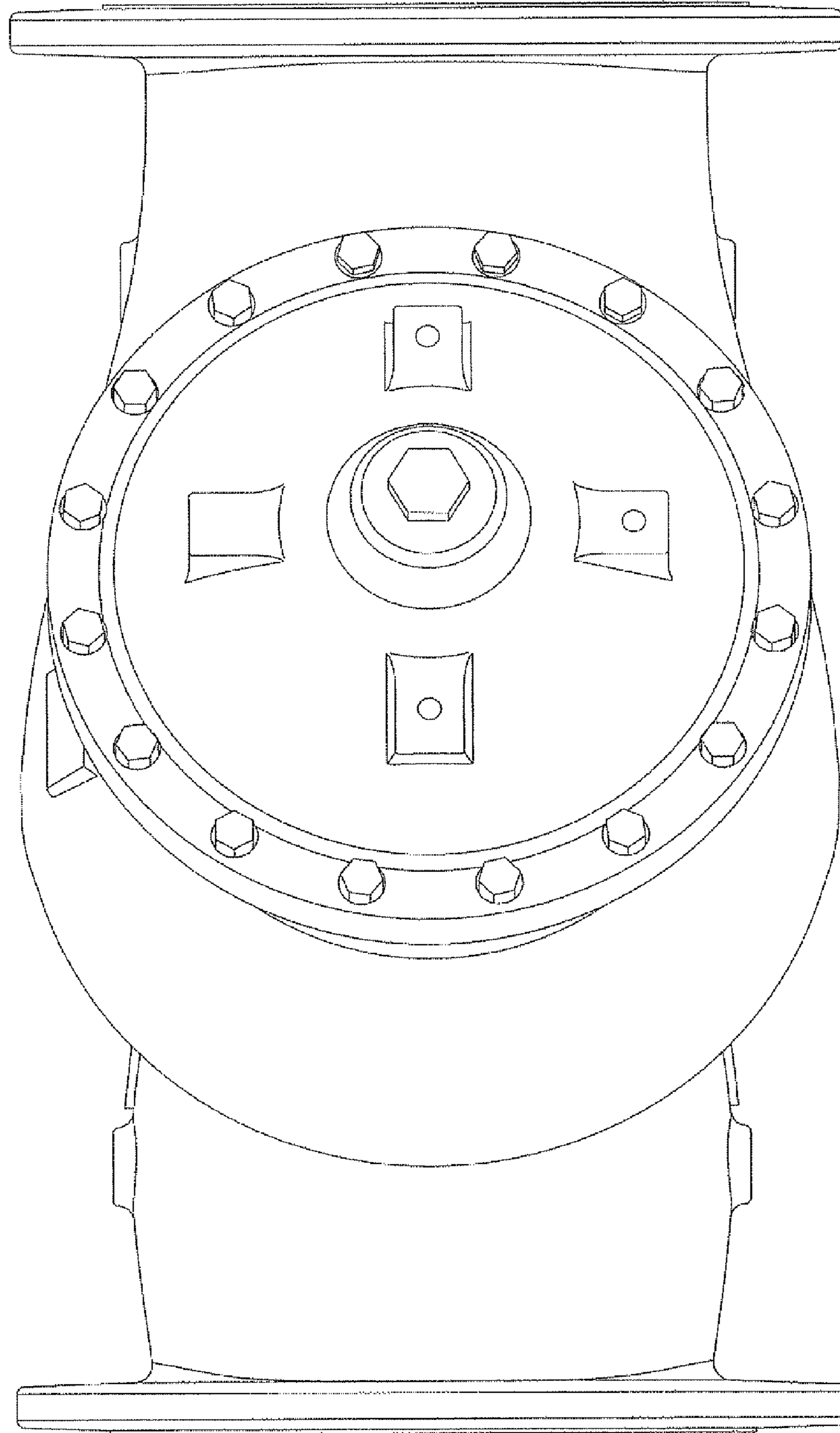


FIGURE 4

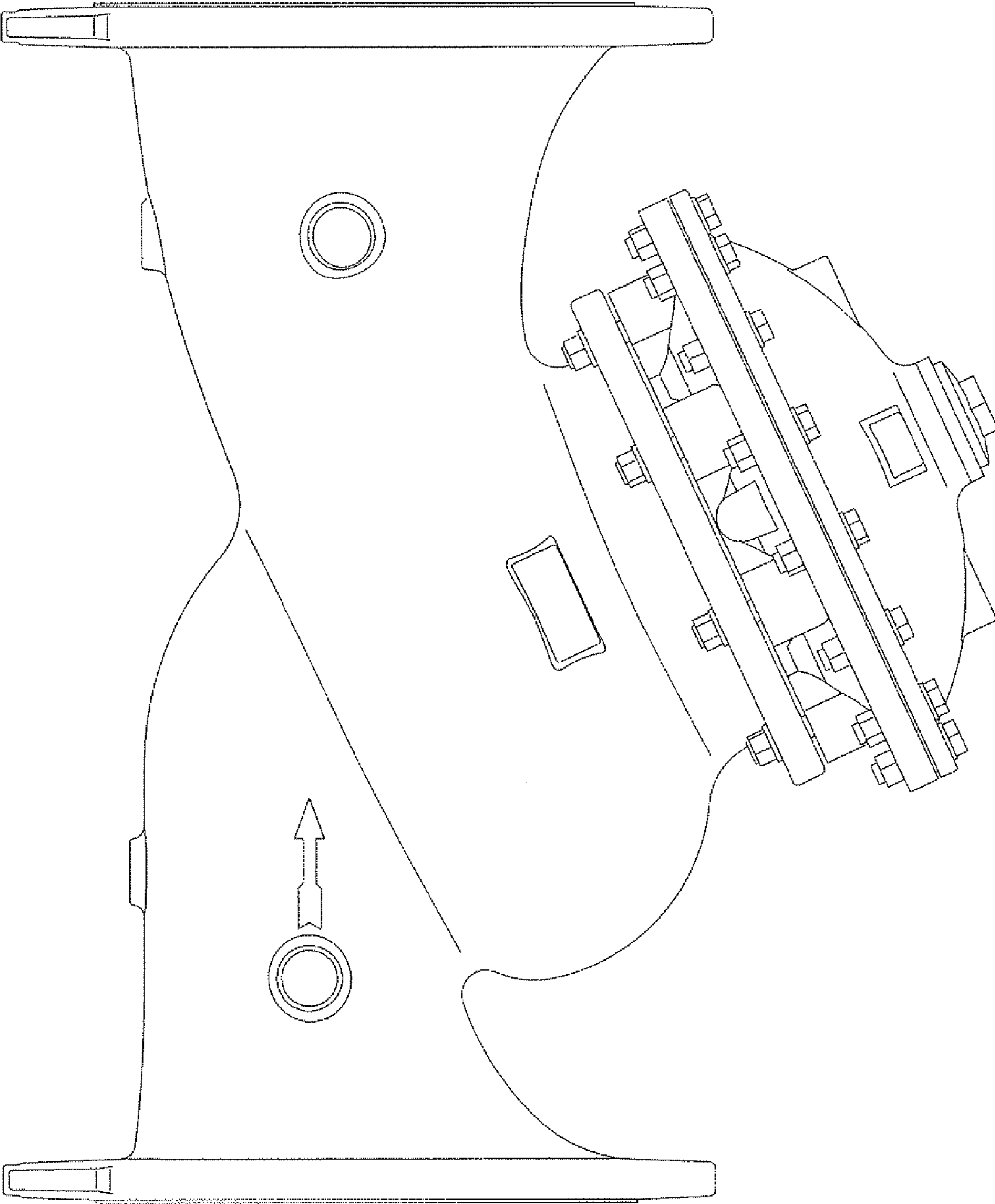


FIGURE 5

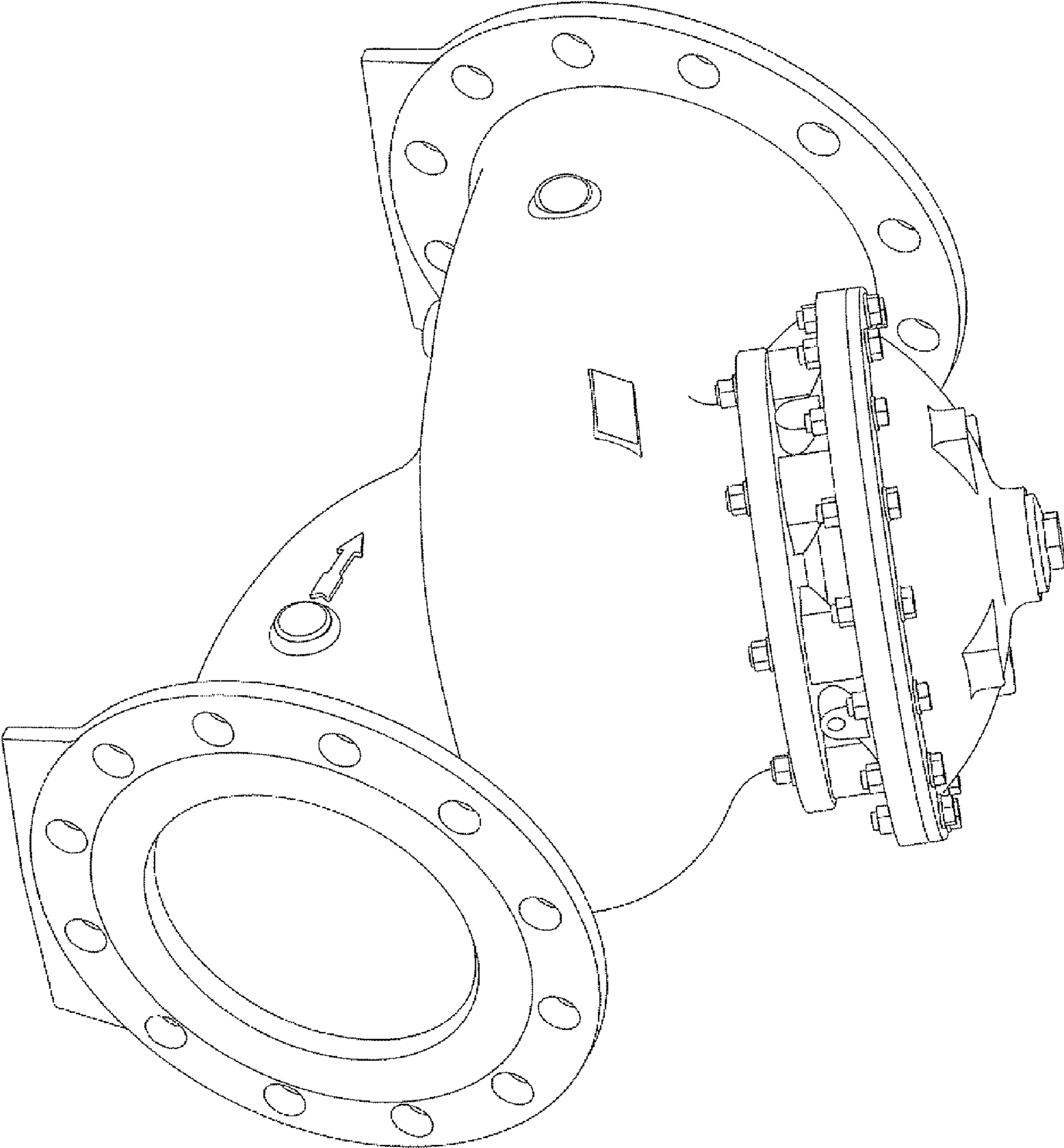


FIGURE 6

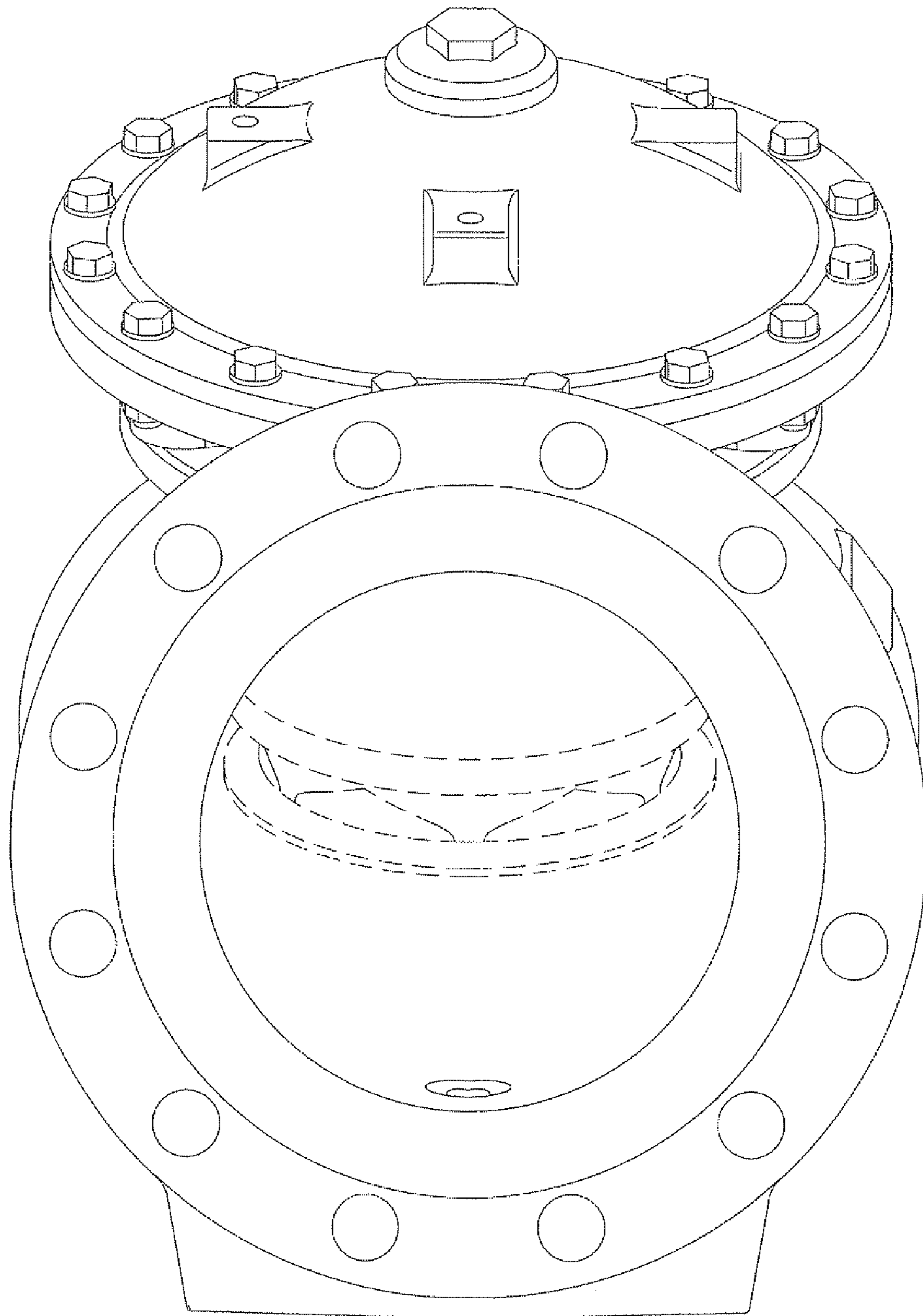


FIGURE 7