



US00D617877S

(12) **United States Design Patent**  
**Bouroullec et al.**

(10) **Patent No.:** **US D617,877 S**  
(45) **Date of Patent:** **\*\* Jun. 15, 2010**

(54) **FAUCET**

(75) Inventors: **Erwan Bouroullec**, Paris (FR); **Ronan Bouroullec**, Paris (FR)

(73) Assignee: **Hansgrohe AG**, Schiltach (DE)

(\*\*) Term: **14 Years**

(21) Appl. No.: **29/342,281**

(22) Filed: **Aug. 21, 2009**

(30) **Foreign Application Priority Data**

Jun. 3, 2009 (EM) ..... 001101125-0013

(51) **LOC (9) Cl.** ..... **23-01**

(52) **U.S. Cl.** ..... **D23/238**

(58) **Field of Classification Search** ..... D23/200,  
D23/238-257; D6/512, 546, 550; D8/300,  
D8/307-308, 310-312, 321; 4/675-678;  
137/801; 16/110.1, 441

See application file for complete search history.

(56) **References Cited**

**U.S. PATENT DOCUMENTS**

D315,398 S *	3/1991	Strignano	.....	D23/241
D335,919 S *	5/1993	O'Connell	.....	D23/255
D337,371 S *	7/1993	Levien	.....	D23/255
D339,854 S *	9/1993	Paulin et al.	.....	D23/255
D341,190 S *	11/1993	Pauls et al.	.....	D23/255
D343,444 S *	1/1994	Paulin et al.	.....	D23/238
D509,564 S *	9/2005	Jorgensen et al.	.....	D23/238
D509,565 S *	9/2005	Starck	.....	D23/238
D513,059 S *	12/2005	Pauls	.....	D23/238
D528,637 S *	9/2006	Massaud	.....	D23/238
D529,133 S *	9/2006	Massaud	.....	D23/238

D529,134 S *	9/2006	Massaud	.....	D23/238
D529,583 S *	10/2006	Zetsche	.....	D23/238
D534,989 S *	1/2007	Massaud	.....	D23/238
D536,767 S *	2/2007	Massaud	.....	D23/238
D583,904 S *	12/2008	Oh	.....	D23/238
D596,710 S *	7/2009	Starck	.....	D23/238

**OTHER PUBLICATIONS**

Brochure—collection 2005, 2 pgs., Fantini Rubinetti, Pella, Italy (at least as early as Sep. 27, 2005).

Brochure—Welcome to Wonderland, 3 pgs., Hego Waterdesign, Pogno, Italy (at least as early as Sep. 23, 2008).

\* cited by examiner

*Primary Examiner*—T. Chase Nelson

*Assistant Examiner*—Mark Cavanna

(74) *Attorney, Agent, or Firm*—Nirav D. Parikh; Edgar A. Zarins

(57) **CLAIM**

The ornamental design for a faucet, as shown and described.

**DESCRIPTION**

FIG. 1 is a perspective view of a faucet showing our design;

FIG. 2 is a front elevational view thereof;

FIG. 3 is a left side elevational view thereof;

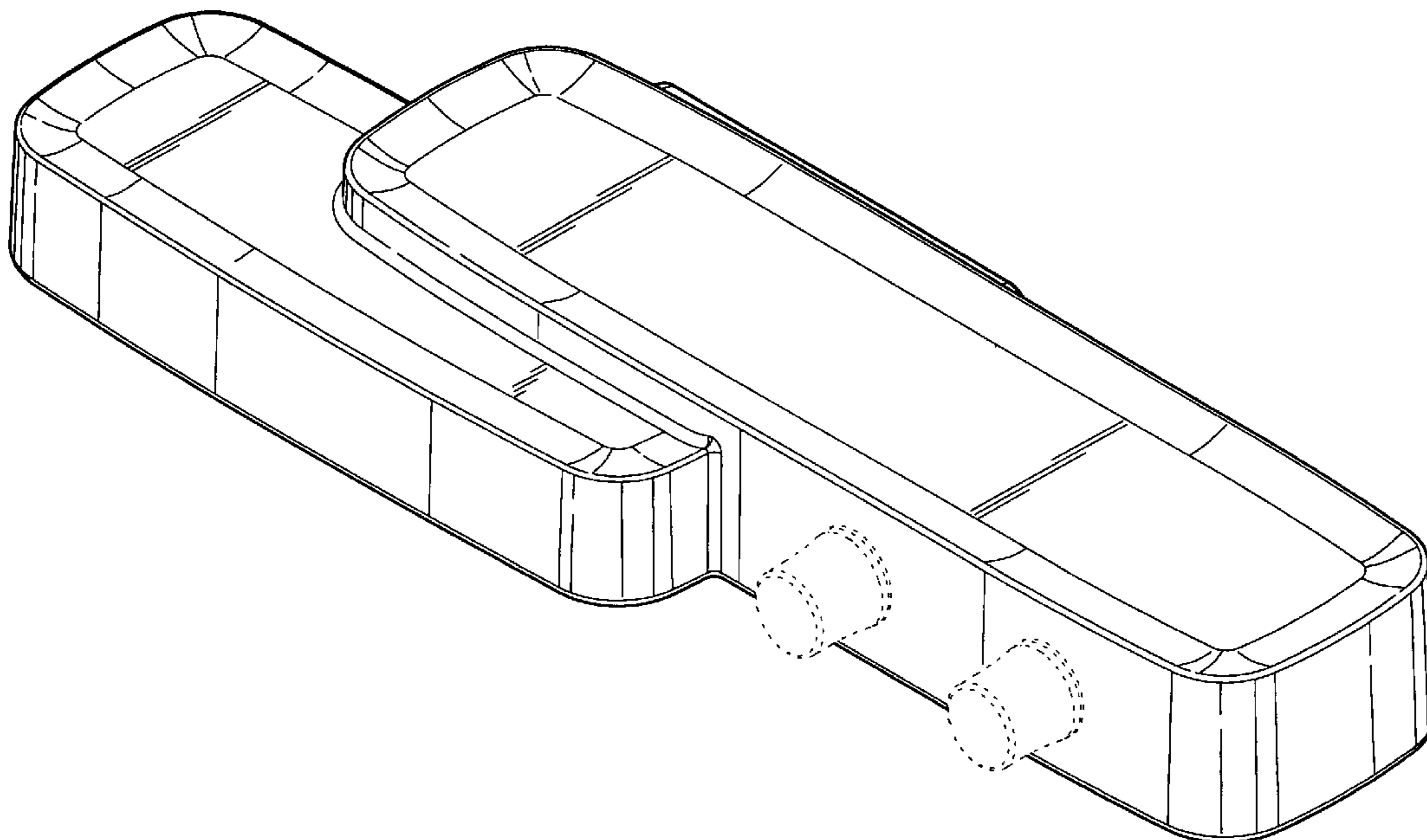
FIG. 4 is a right side elevational view thereof;

FIG. 5 is a top plan view thereof; and,

FIG. 6 is a bottom plan view thereof.

The broken lines shown are included for the purpose of illustrating portions of the faucet that form no part of the claimed design.

**1 Claim, 6 Drawing Sheets**



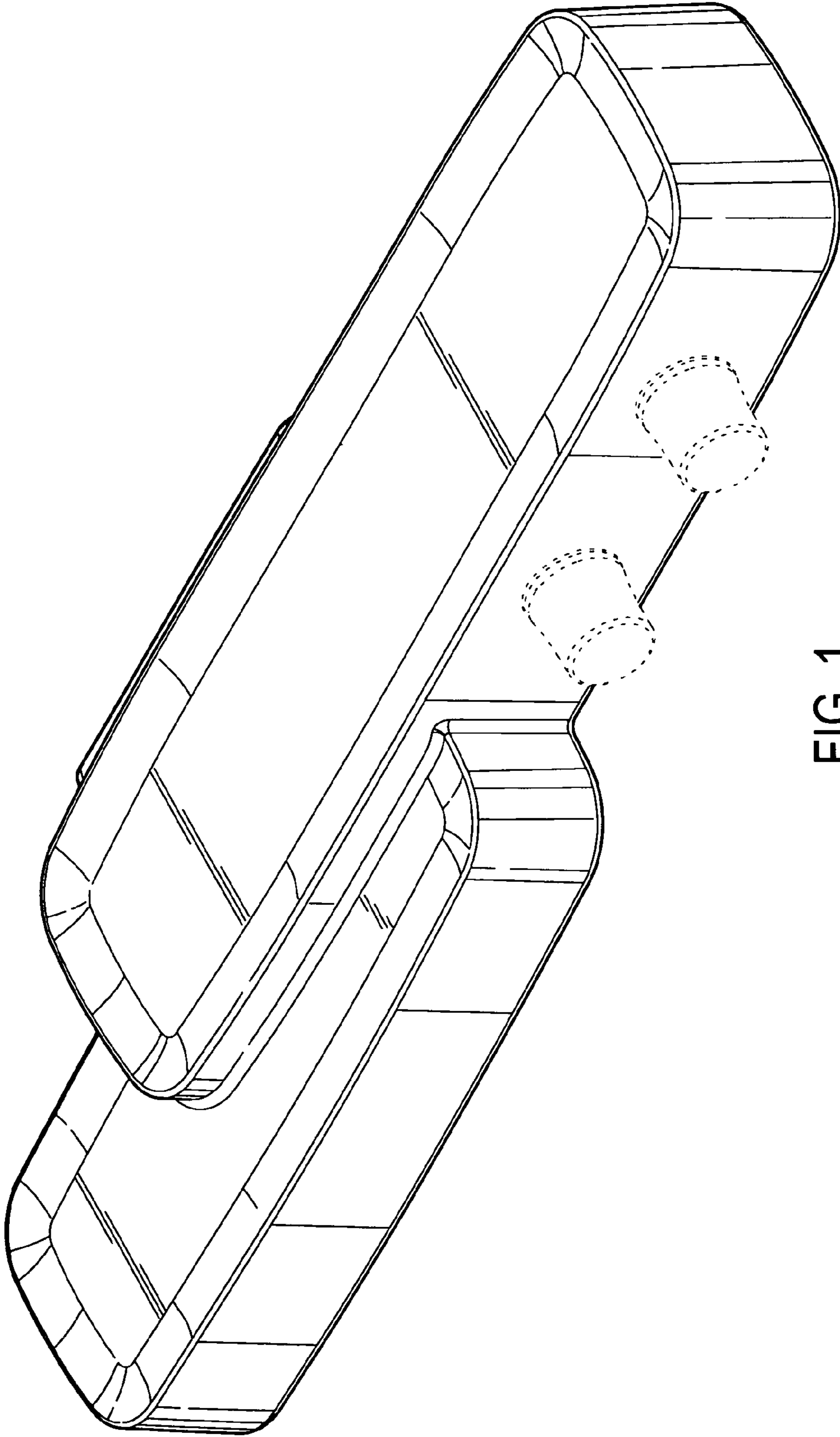


FIG. 1

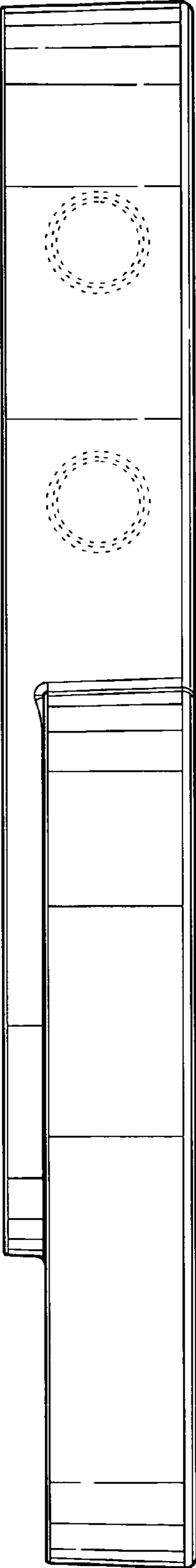


FIG. 2

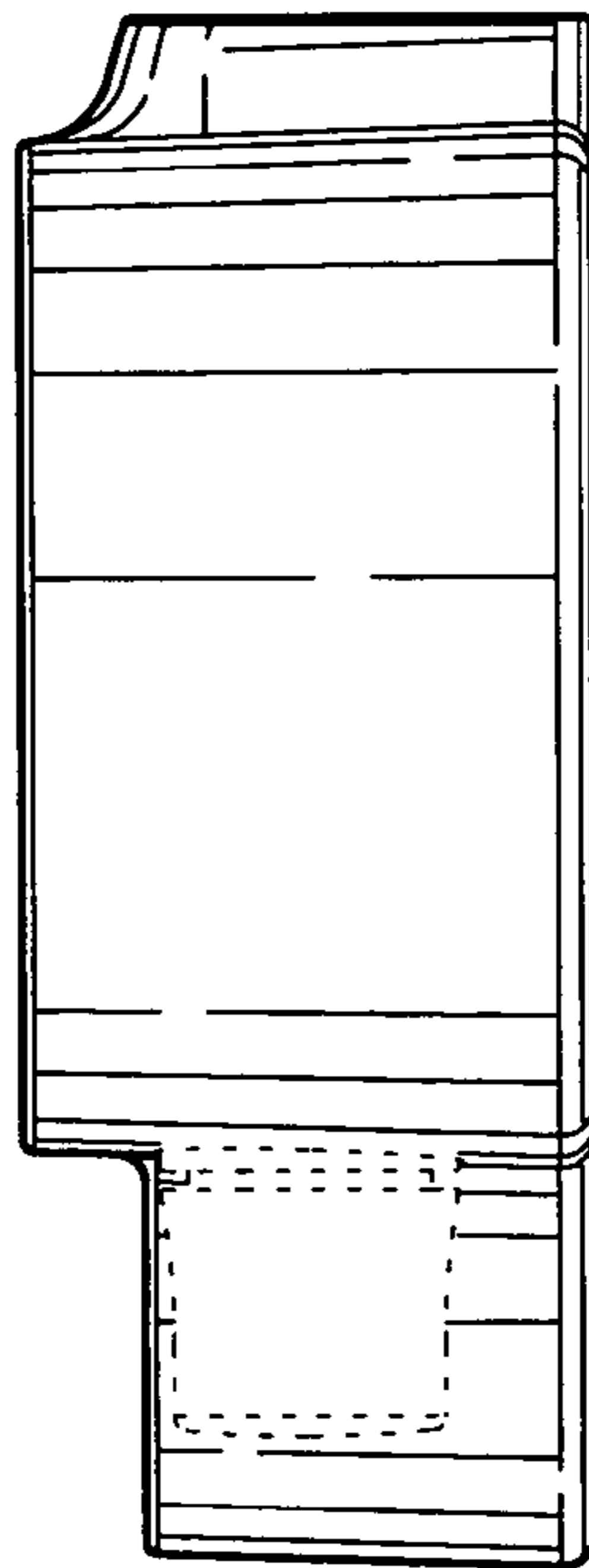


FIG. 3

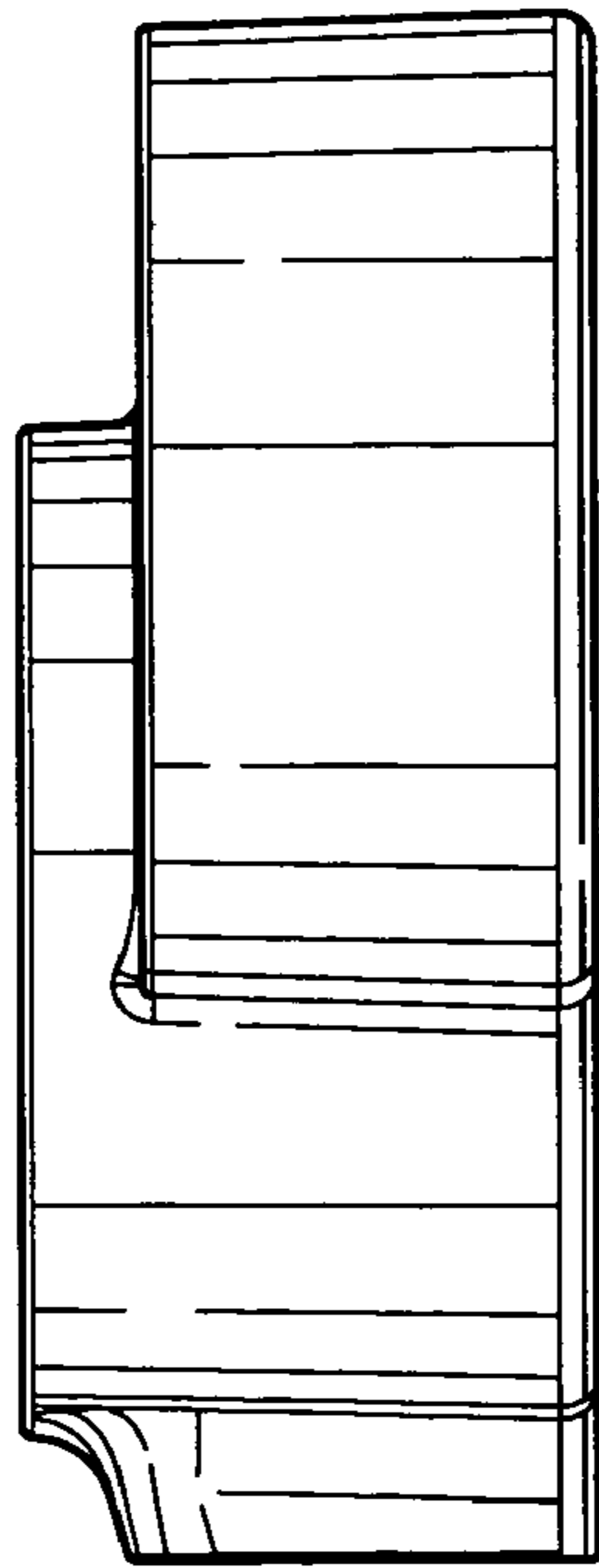


FIG. 4

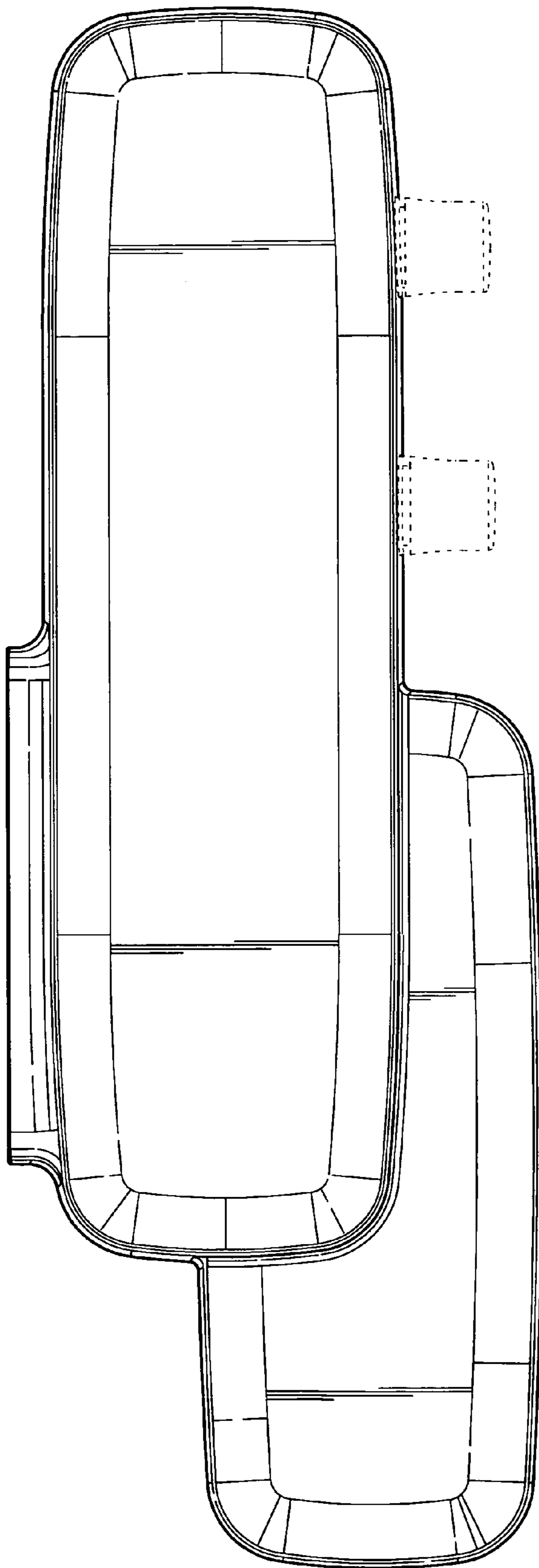


FIG. 5

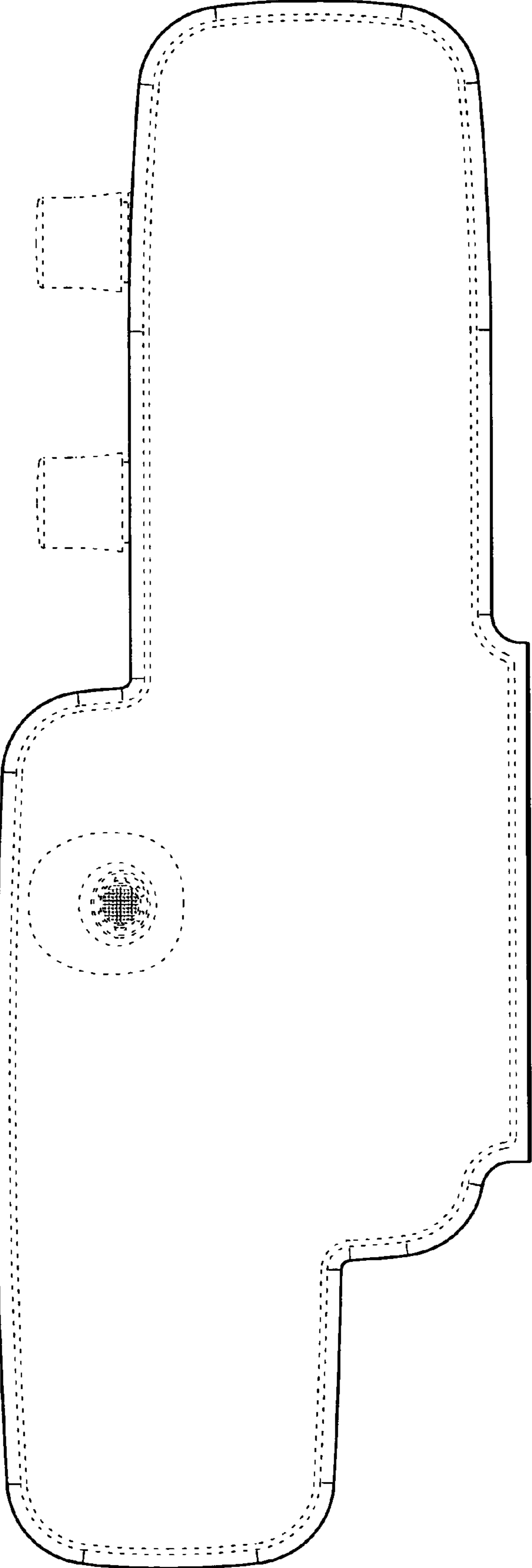


FIG. 6