



US00D617875S

(12) **United States Design Patent**
Bobby et al.

(10) **Patent No.:** **US D617,875 S**
(45) **Date of Patent:** **** Jun. 15, 2010**

(54) **VALVE BODY**

(75) Inventors: **Brian Bobby**, North Ridgeville, OH (US); **Travis Ramler**, Elyria, OH (US)

(73) Assignee: **Bendix Commercial Vehicle Systems LLC**, Elyria, OH (US)

(**) Term: **14 Years**

(21) Appl. No.: **29/350,750**

(22) Filed: **Nov. 23, 2009**

Related U.S. Application Data

(63) Continuation of application No. 29/257,620, filed on Apr. 7, 2006, now Pat. No. Des. 607,087.

(51) **LOC (9) Cl.** **23-01**

(52) **U.S. Cl.** **D23/233**

(58) **Field of Classification Search** D23/233-237, D23/213, 244-249; 137/883, 885, 454.2, 137/331; 251/309, 310, 314, 315.14, 318-334, 251/335.5, 356-368; D15/5
See application file for complete search history.

(56) **References Cited**

U.S. PATENT DOCUMENTS

D297,256 S	8/1988	Schwarz
D360,459 S	7/1995	Tschaeppler
5,622,544 A	4/1997	Shamine et al.
5,853,024 A	12/1998	Life
6,094,836 A	8/2000	Mahoney et al.
D430,647 S	9/2000	Bergum et al.
6,581,297 B1	6/2003	Ginder
6,585,806 B2	7/2003	Quinn et al.

(Continued)

FOREIGN PATENT DOCUMENTS

EP 214373 A1 3/1987

(Continued)

OTHER PUBLICATIONS

Bendix Service Data SD-03-824, Bendix TC-7 Trailer Control Brake Valve, 4 pages, Mar. 2004, printed USA.

(Continued)

Primary Examiner—Cathron C. Brooks

Assistant Examiner—Maurice Stevens

(74) *Attorney, Agent, or Firm*—Calfee, Halter & Griswold LLP

(57) **CLAIM**

We claim the ornamental design for a valve body, as shown and described.

DESCRIPTION

FIG. 1 is a perspective view of a valve body of one embodiment of the new design;

FIG. 2 is a first side view of the valve body of FIG. 1;

FIG. 3 is a second side view of the valve body of FIG. 1;

FIG. 4 is a third side view of the valve body of FIG. 1;

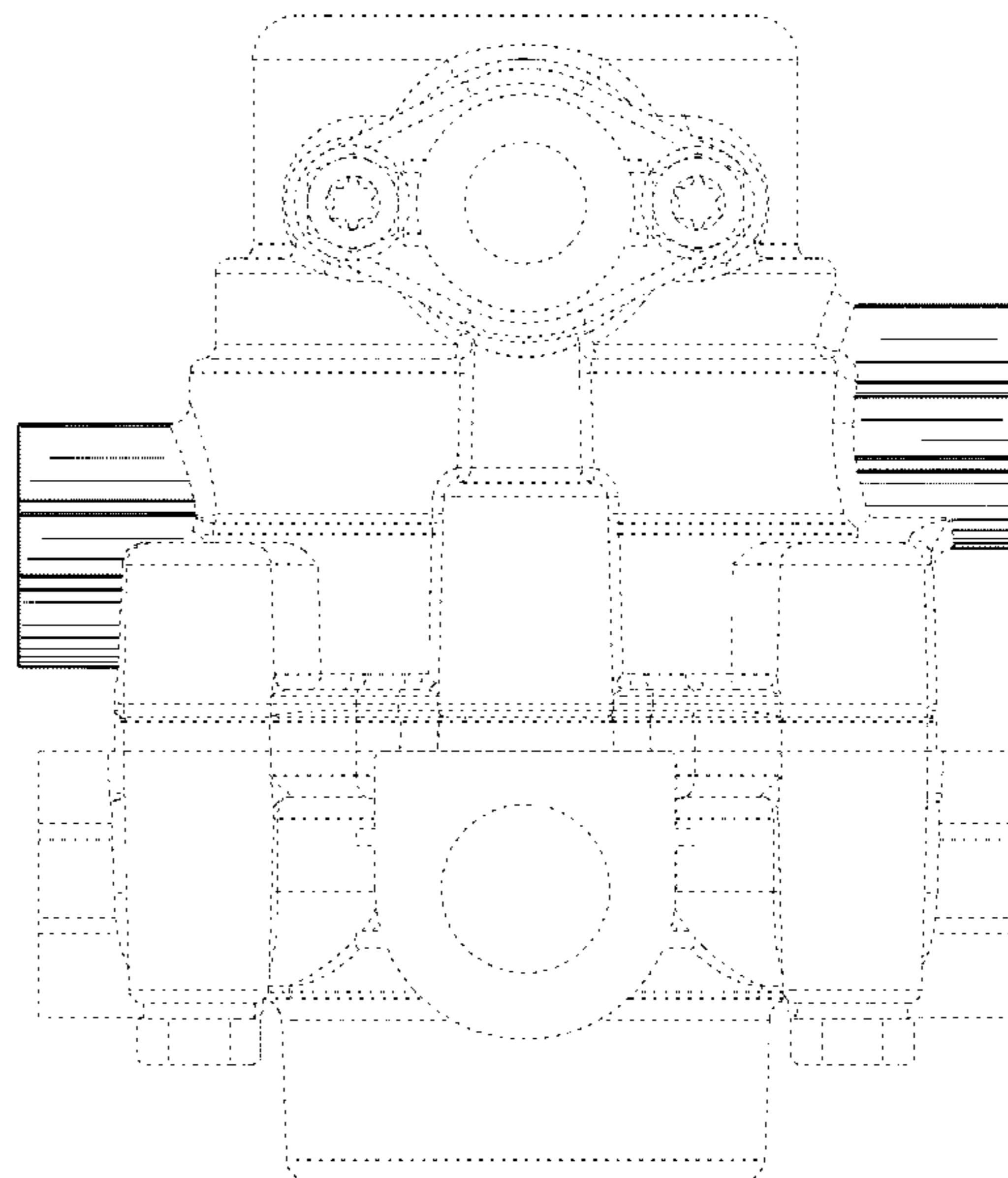
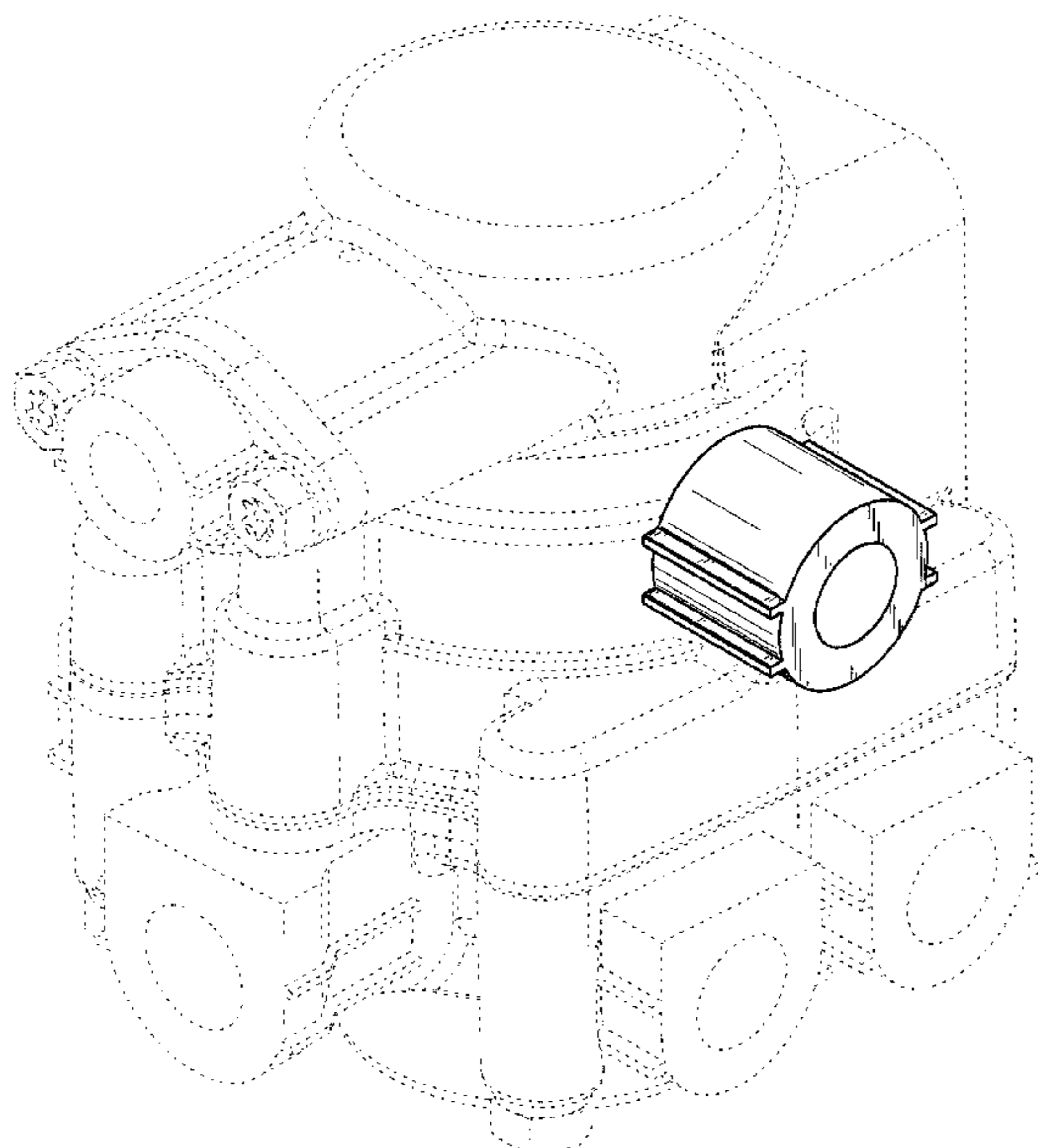
FIG. 5 is a fourth side view of the valve body of FIG. 1;

FIG. 6 is a top view of the valve body of FIG. 1; and,

FIG. 7 is a bottom view of the valve body of FIG. 1.

The portions of the Figures shown in phantom lines are not part of the claimed design and are for illustration only.

1 Claim, 7 Drawing Sheets



US D617,875 S

Page 2

U.S. PATENT DOCUMENTS

D482,435 S 11/2003 Kawakami et al.
6,701,709 B2 3/2004 Isaac, Jr. et al.
6,730,143 B1 5/2004 Nichols et al.
D495,036 S * 8/2004 Fukai D23/249
D498,820 S * 11/2004 Fukai D23/249
D499,172 S 11/2004 Tripp et al.
6,824,594 B2 11/2004 Larsson
6,878,194 B2 4/2005 Hoffman et al.
D513,786 S 1/2006 Montano et al.
D518,874 S 4/2006 Takeda et al.
D519,188 S 4/2006 Hay
7,100,305 B2 9/2006 Hoffman et al.
D542,888 S 5/2007 Ye et al.
D546,419 S 7/2007 Steinberg
D546,920 S 7/2007 Fulkerson
7,273,072 B2 * 9/2007 Muller 137/885
D570,880 S 6/2008 Miller et al.
D574,940 S 8/2008 Quinn et al.
D578,549 S 10/2008 Nimberger
7,469,708 B2 * 12/2008 Koester 137/269

7,544,234 B2 6/2009 Fornof
D597,630 S 8/2009 Easton
7,568,496 B2 8/2009 Kraenzle
D604,821 S 11/2009 Quinn et al.
D606,163 S * 12/2009 Bobby et al. D23/233
D607,087 S * 12/2009 Bobby et al. D23/233
2002/0017283 A1 2/2002 Furuya
2004/0083893 A1 5/2004 Larsson
2007/0084348 A1 4/2007 Hoffman et al.
2008/0307965 A1 12/2008 Hoffman et al.
2009/0199523 A1 8/2009 Hilberer

FOREIGN PATENT DOCUMENTS

WO 8911054 A1 11/1989

OTHER PUBLICATIONS

Bendix Service Data SD-03-821, Bendix TC-6 Trailer Control Brake Valve, 4 pages, Mar. 2004, printed USA.
Bendix Air System Components 03, Brake Valves, 5 pages, Mar. 2004, printed USA.

* cited by examiner

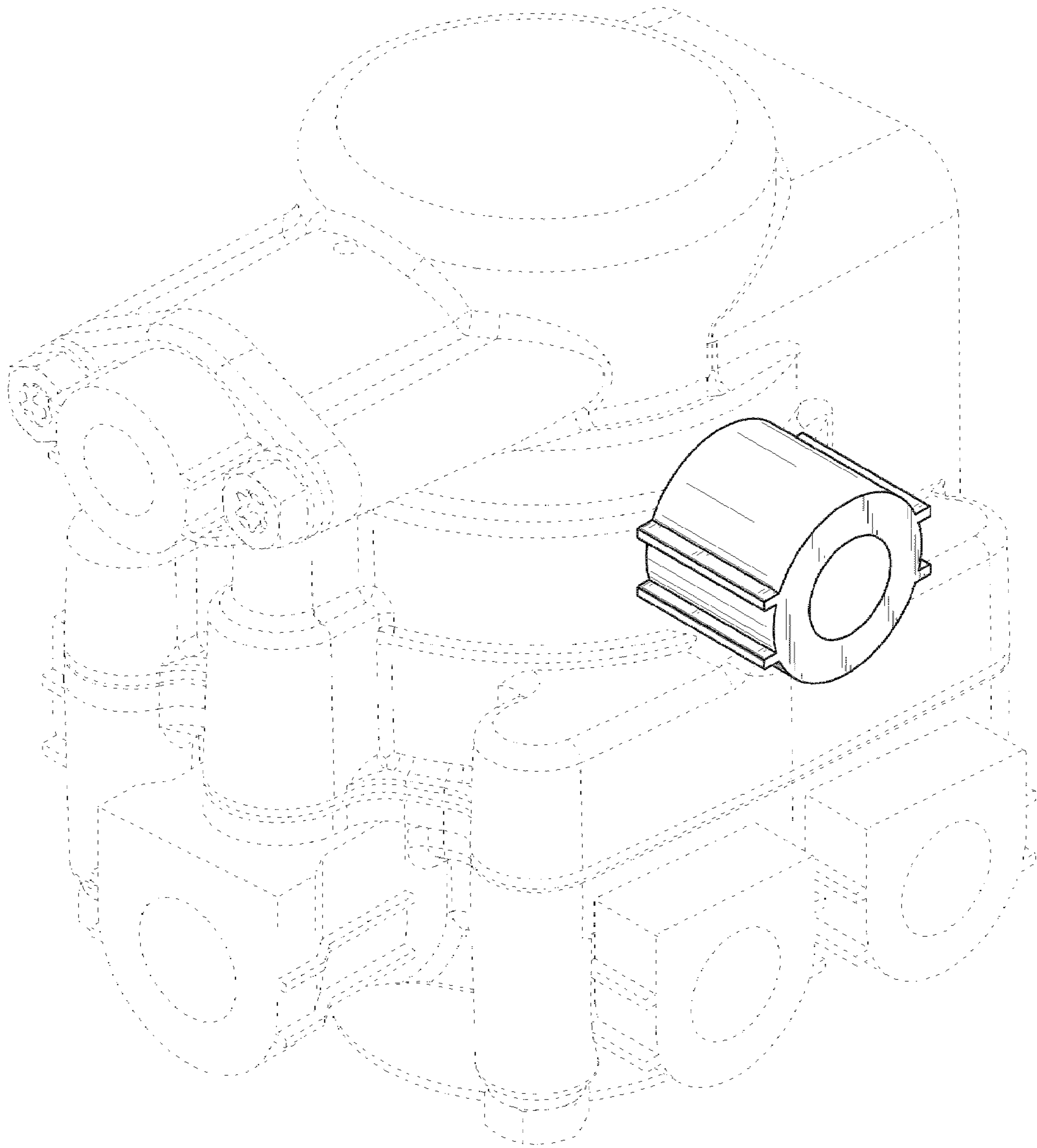


Fig.1

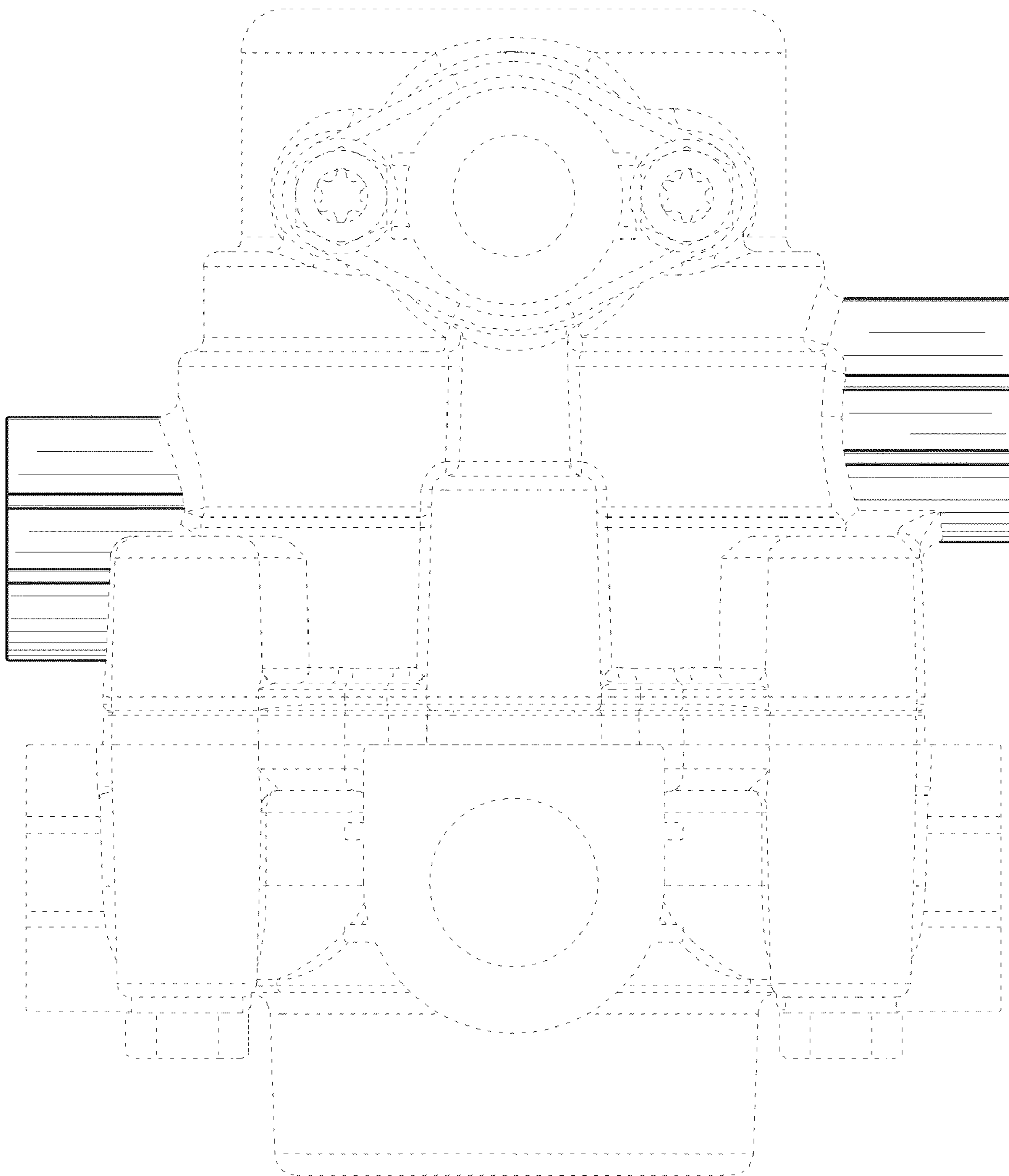


Fig.2

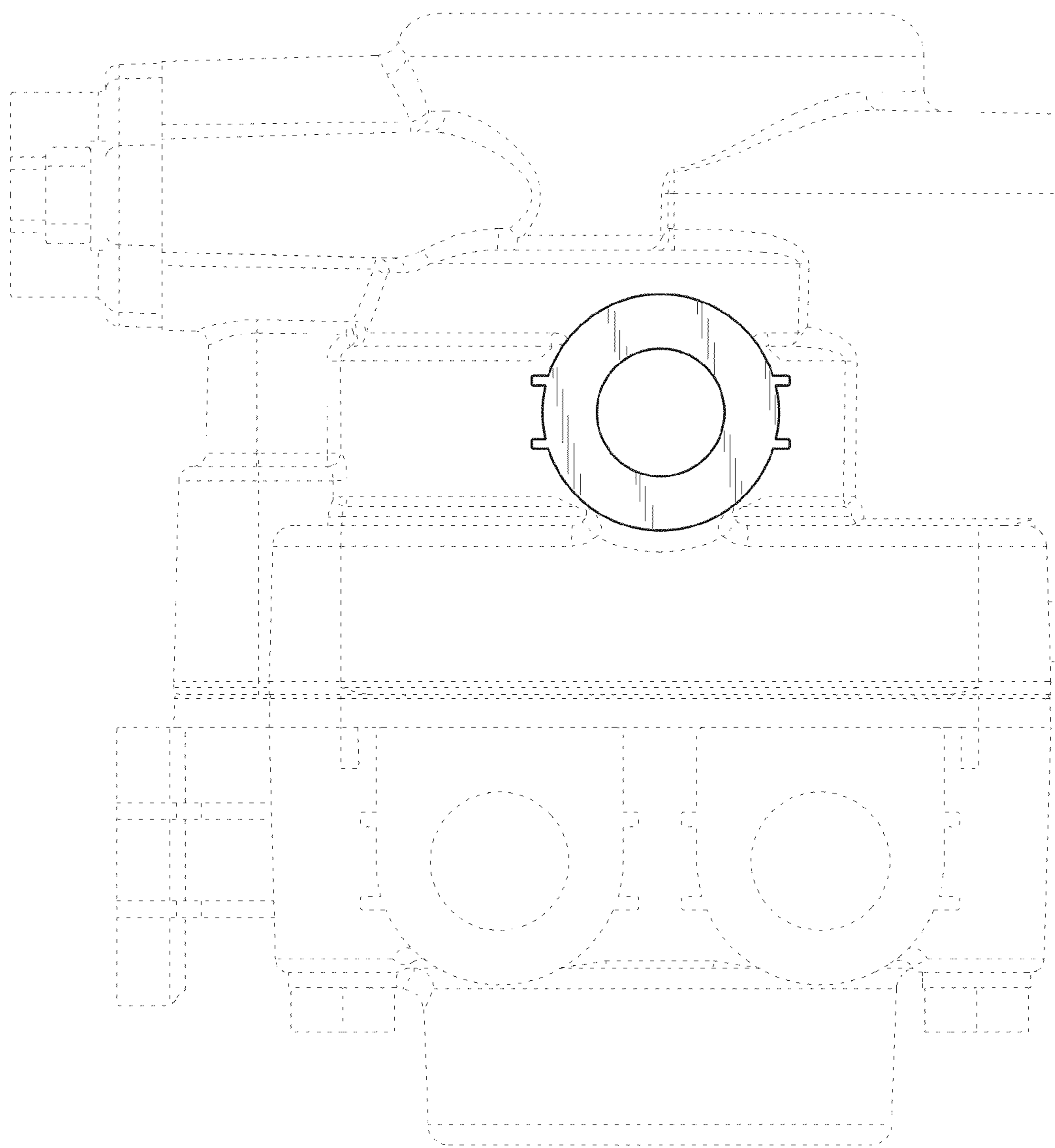


Fig.3

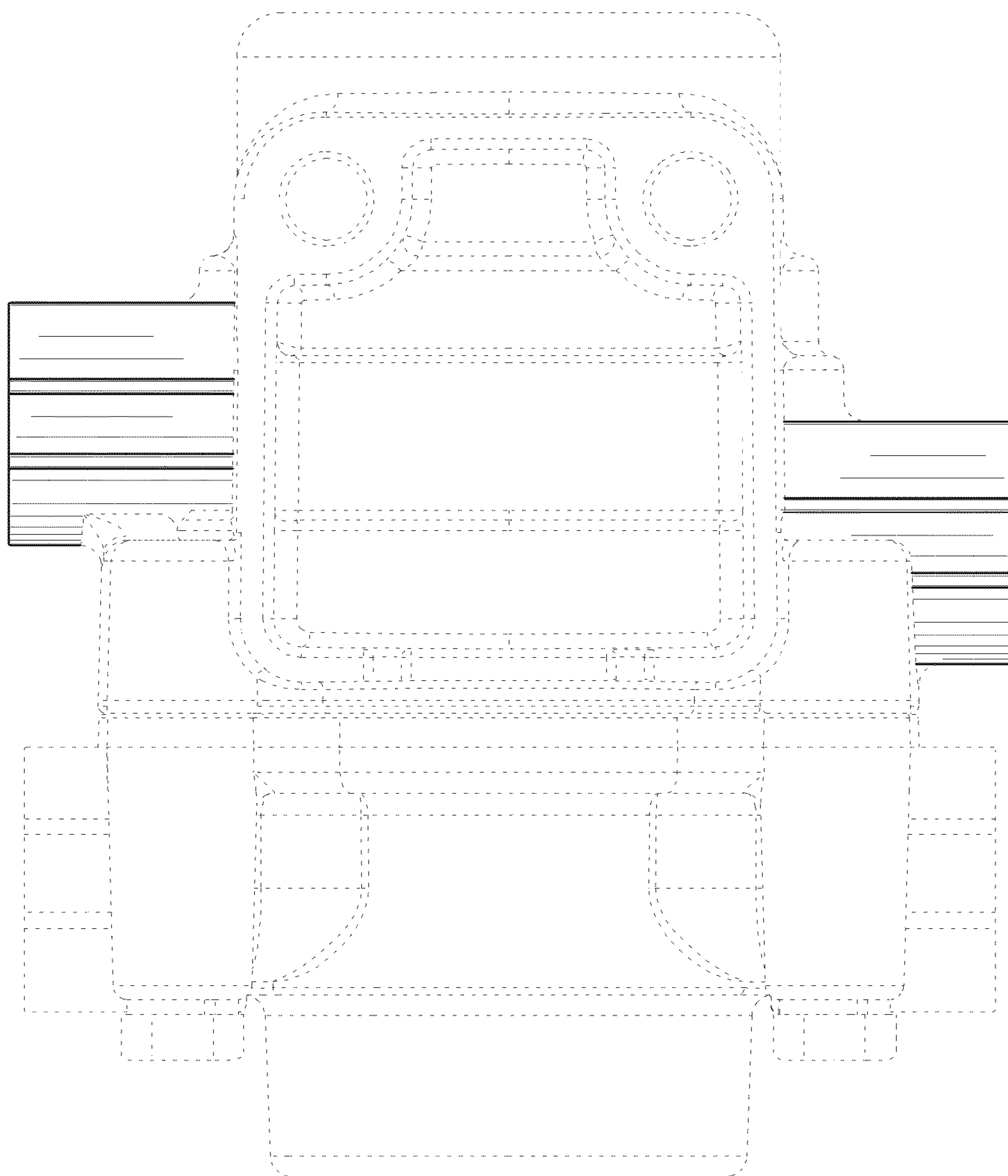


Fig.4

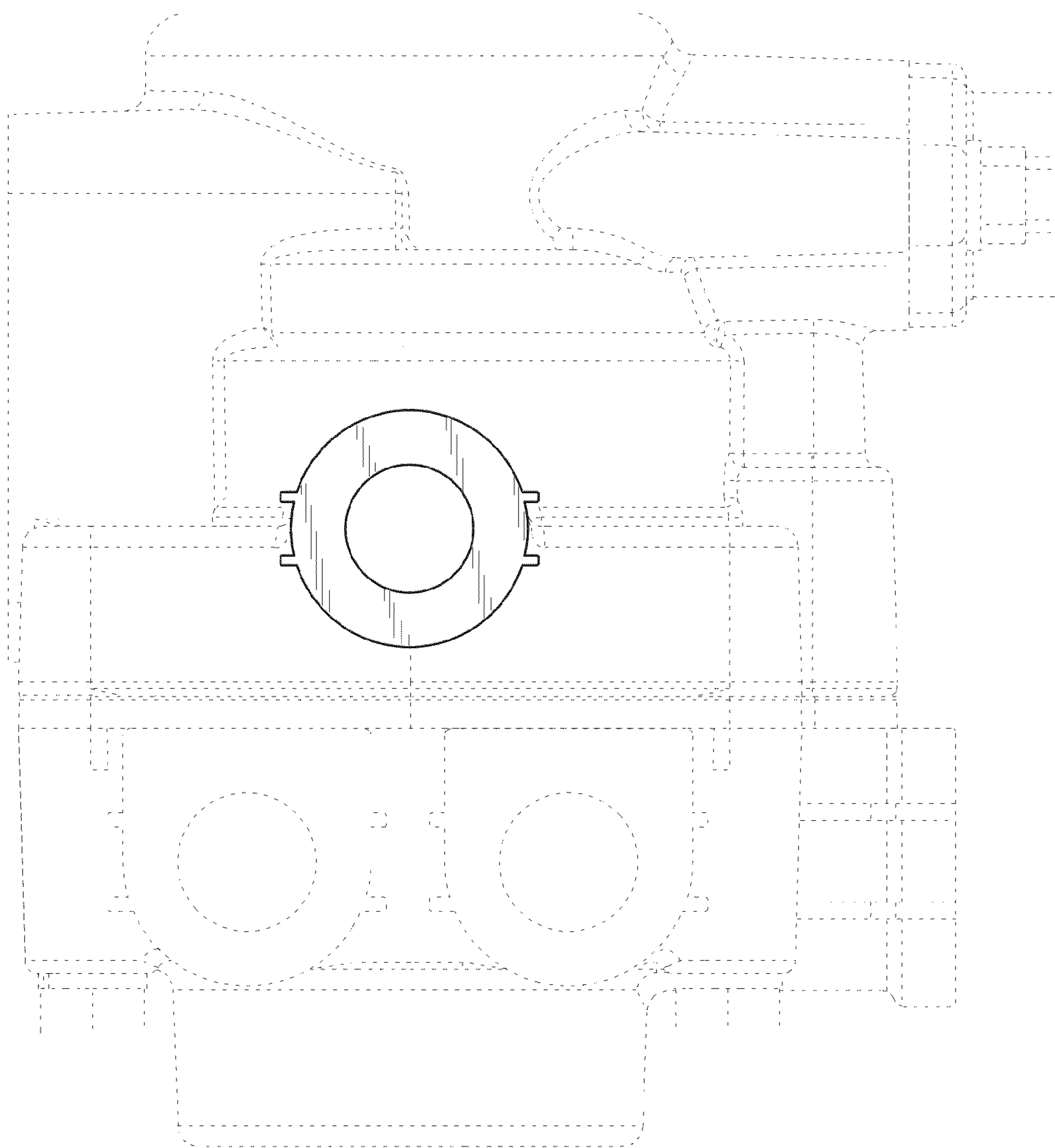


Fig.5

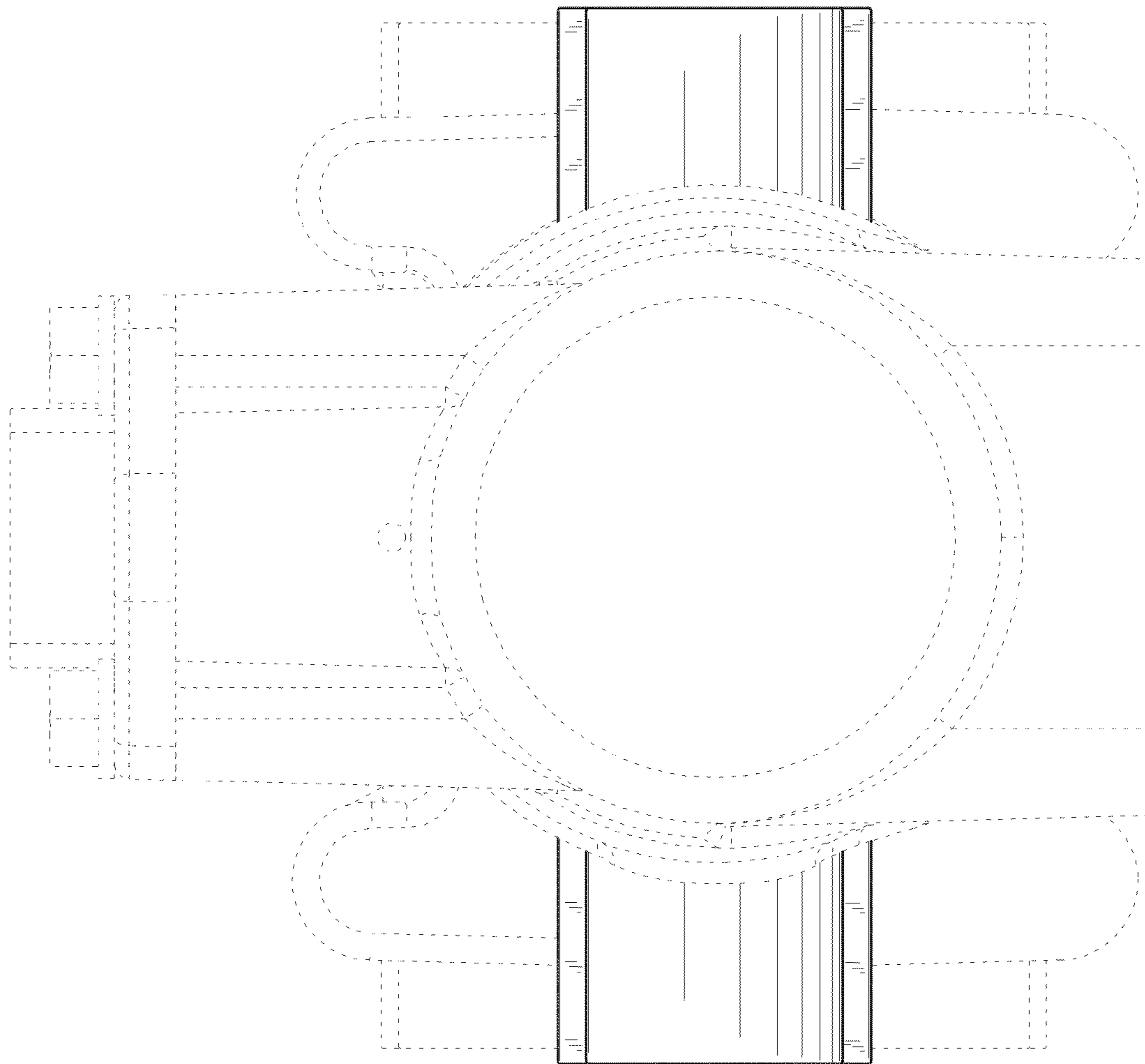


Fig.6

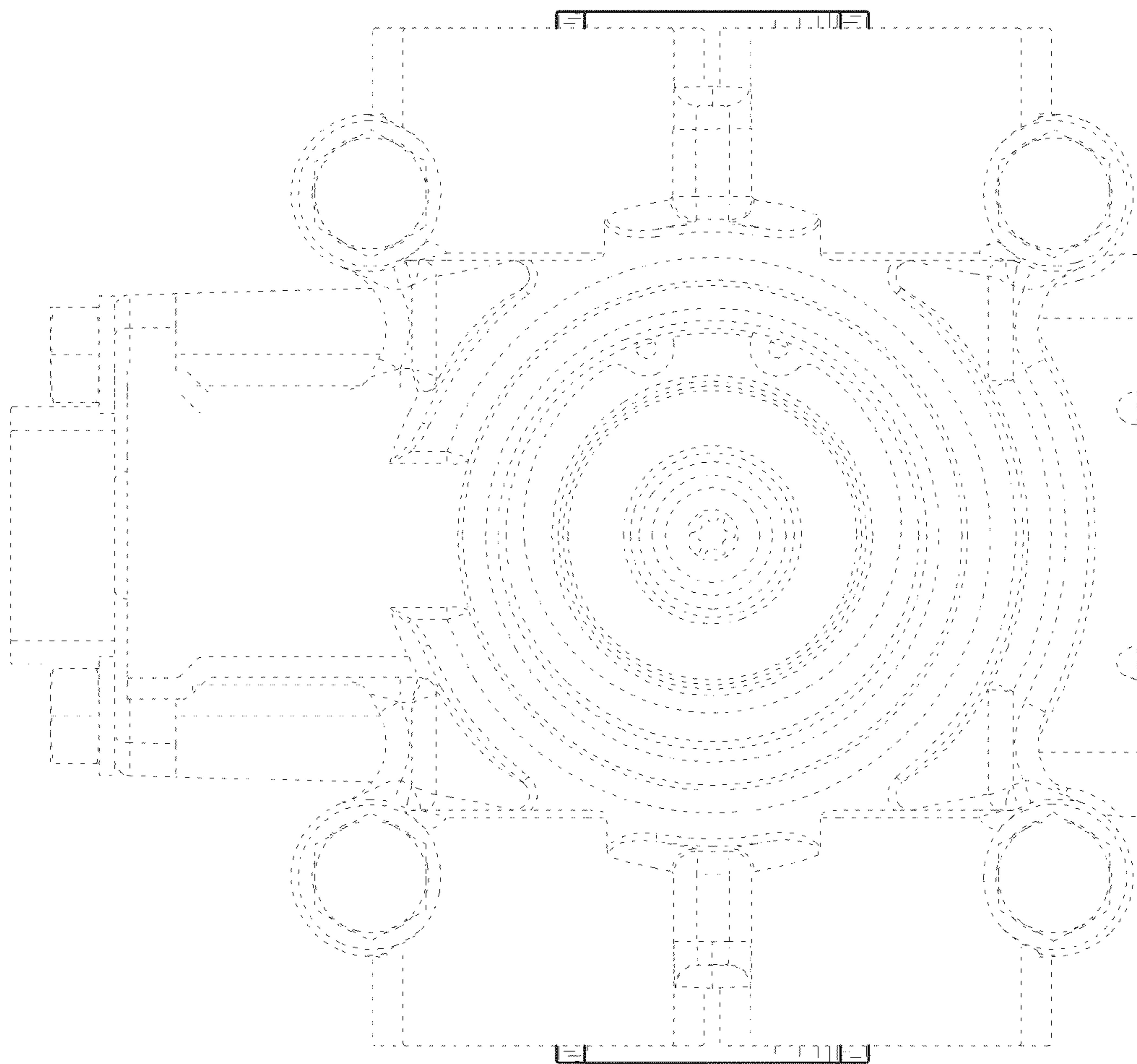


Fig.7