



US00D617874S

(12) **United States Design Patent**
Lee

(10) **Patent No.:** **US D617,874 S**
(45) **Date of Patent:** **** Jun. 15, 2010**

(54) **SHOWERHEAD**

D450,807 S * 11/2001 Lindholm et al. D23/229
D497,408 S * 10/2004 Wu et al. D23/229
D502,988 S * 3/2005 Wu D23/229

(75) Inventor: **Man Hon Lee**, Kowloon (HK)

* cited by examiner

(73) Assignee: **Brand New Technology Ltd.**, Kowloon (HK)

Primary Examiner—Robin V Webster

(**) Term: **14 Years**

(57) **CLAIM**

(21) Appl. No.: **29/344,477**

The ornamental design for a showerhead, as shown.

(22) Filed: **Sep. 30, 2009**

DESCRIPTION

(51) **LOC (9) Cl.** **23-01**

FIG. 1 is a front elevational view of a showerhead showing my new design;

(52) **U.S. Cl.** **D23/229**

FIG. 2 is a rear elevational view thereof;

(58) **Field of Classification Search** D23/213,
D23/223, 226; 239/525–527, 282–283, 462;
4/615

FIG. 3 is a left side view thereof;

FIG. 4 is a right side view thereof;

See application file for complete search history.

FIG. 5 is a top plan view thereof;

FIG. 6 is a bottom plan view thereof; and,

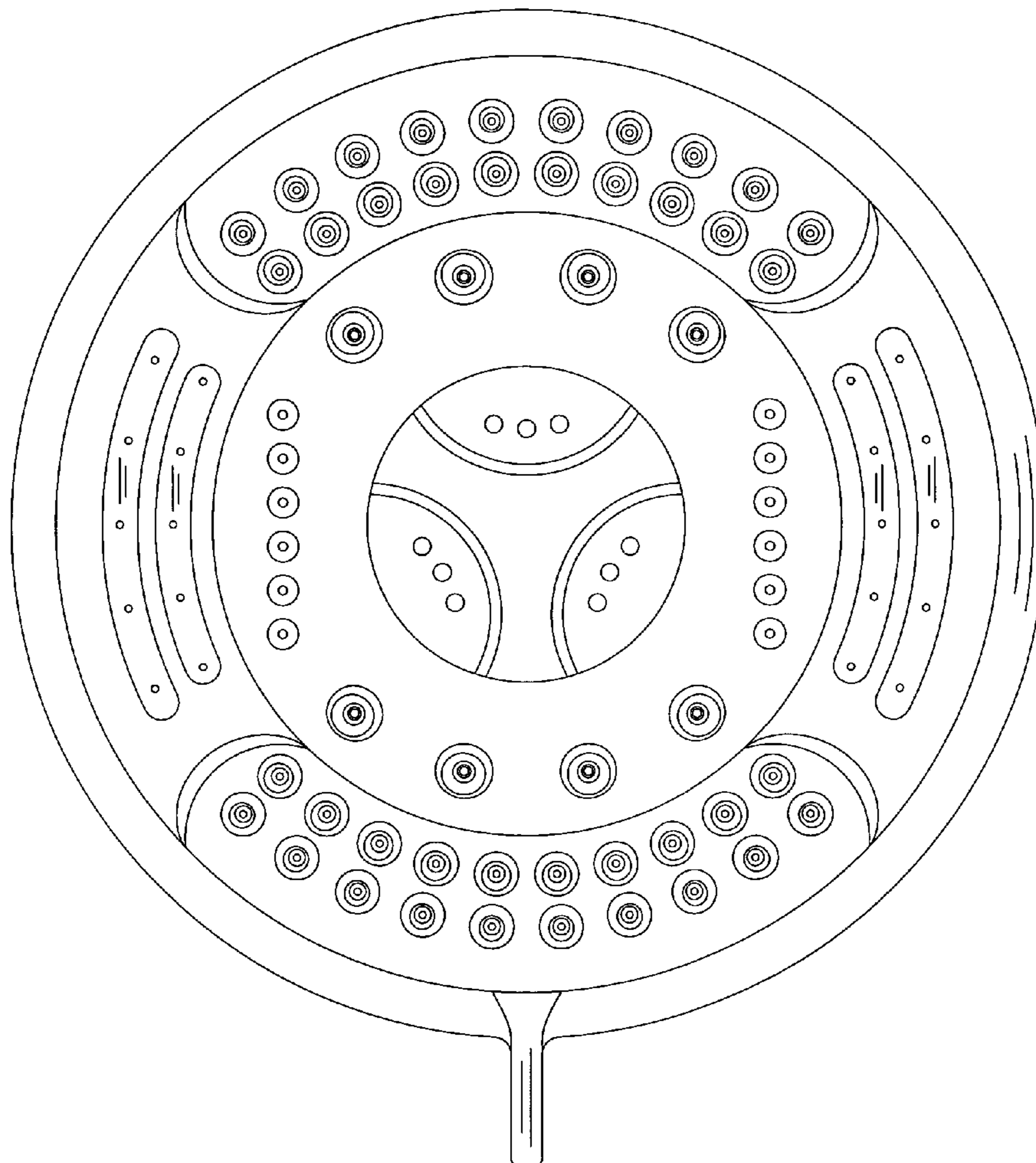
FIG. 7 is a perspective view thereof.

(56) **References Cited**

U.S. PATENT DOCUMENTS

D447,218 S * 8/2001 Kollmann et al. D23/229

1 Claim, 7 Drawing Sheets



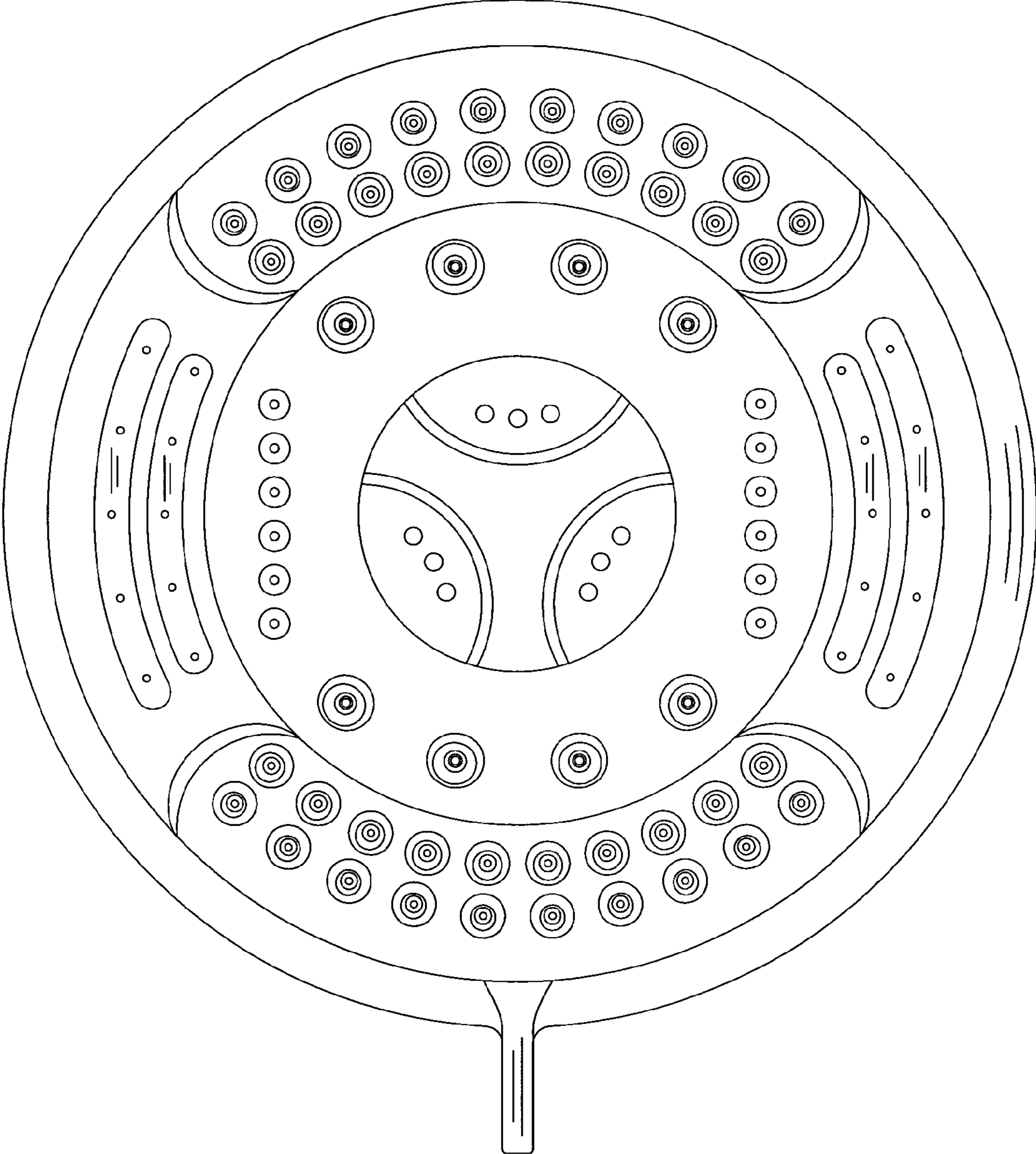


FIG. 1

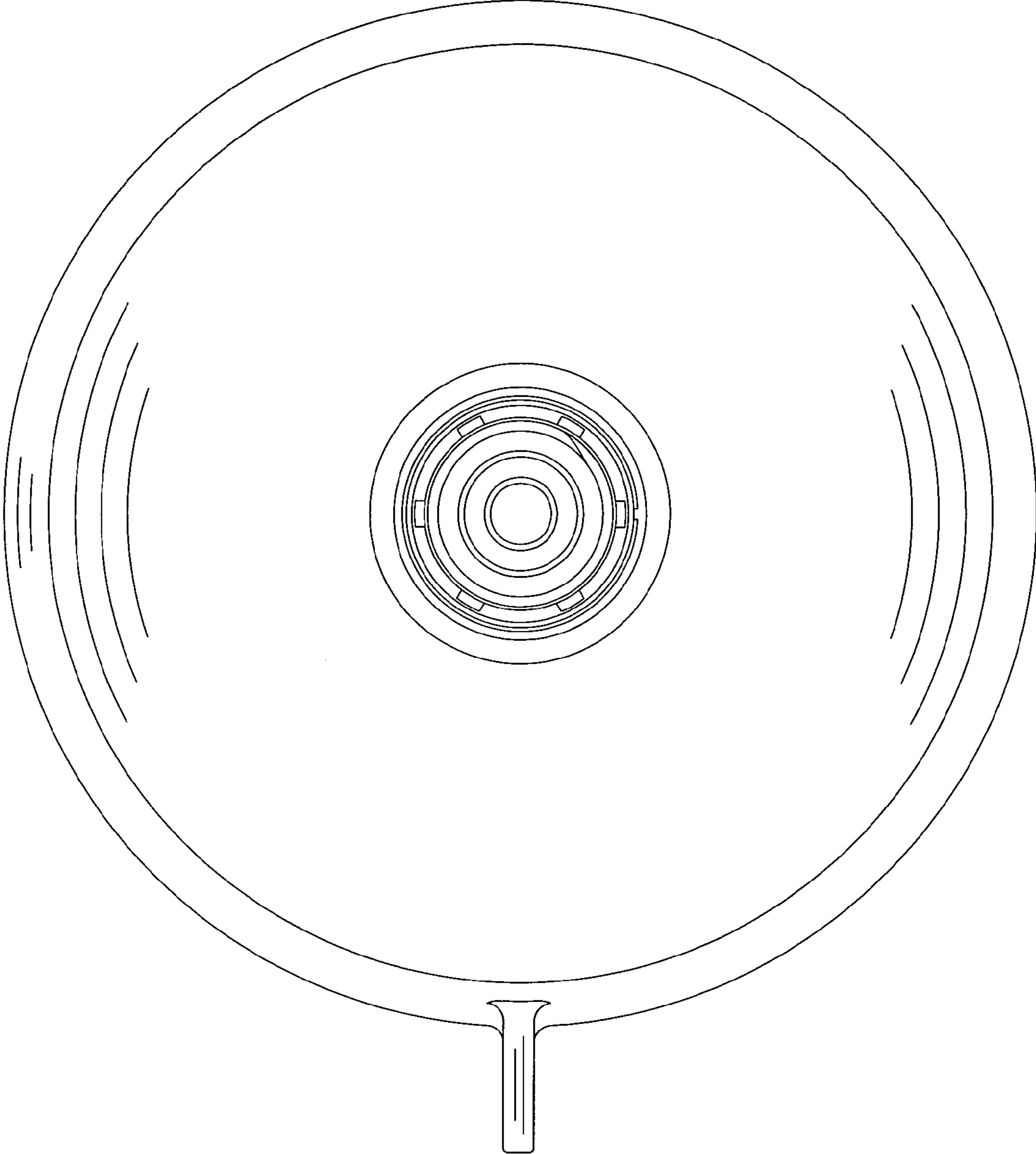


FIG. 2

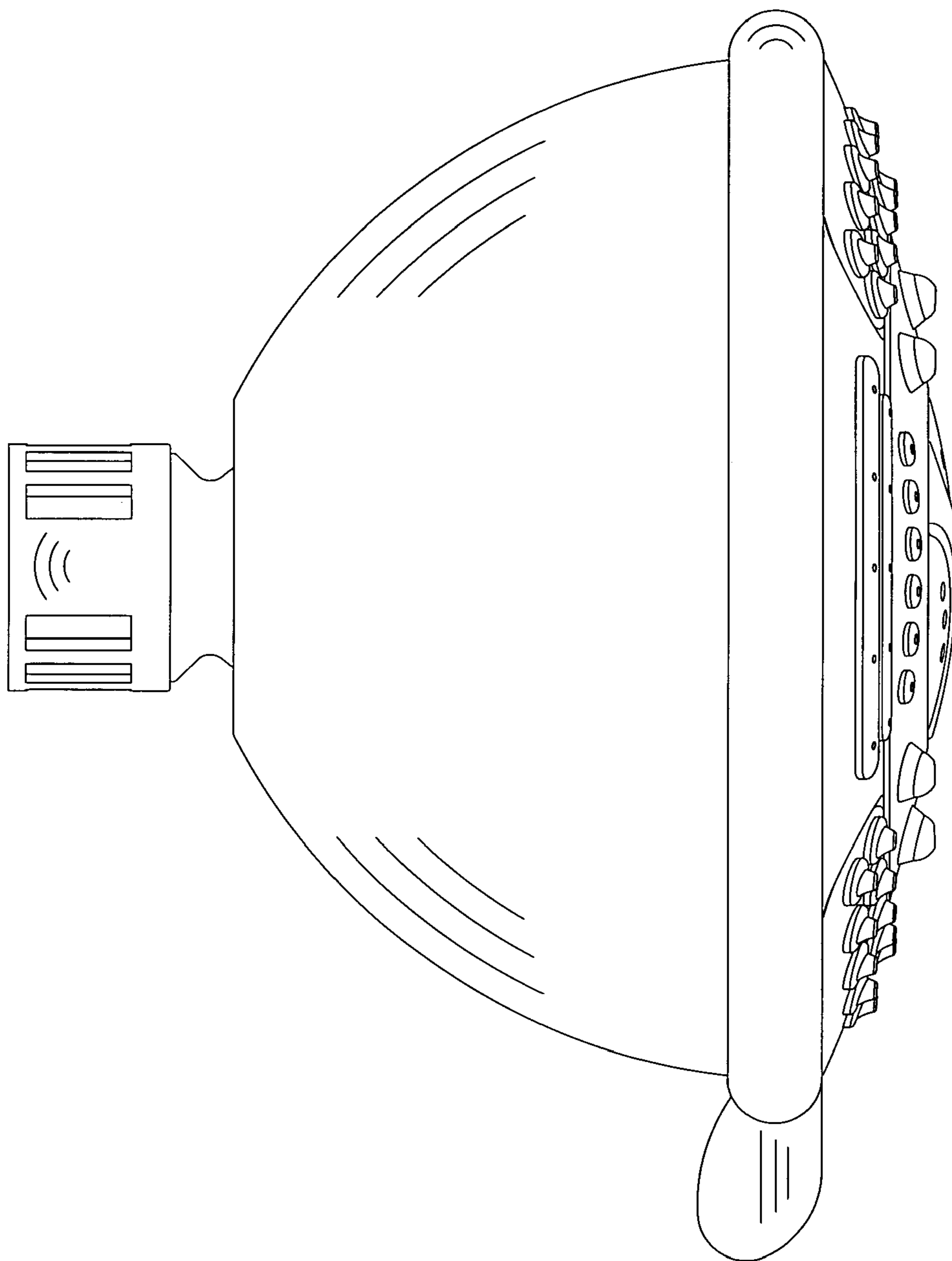


FIG. 3

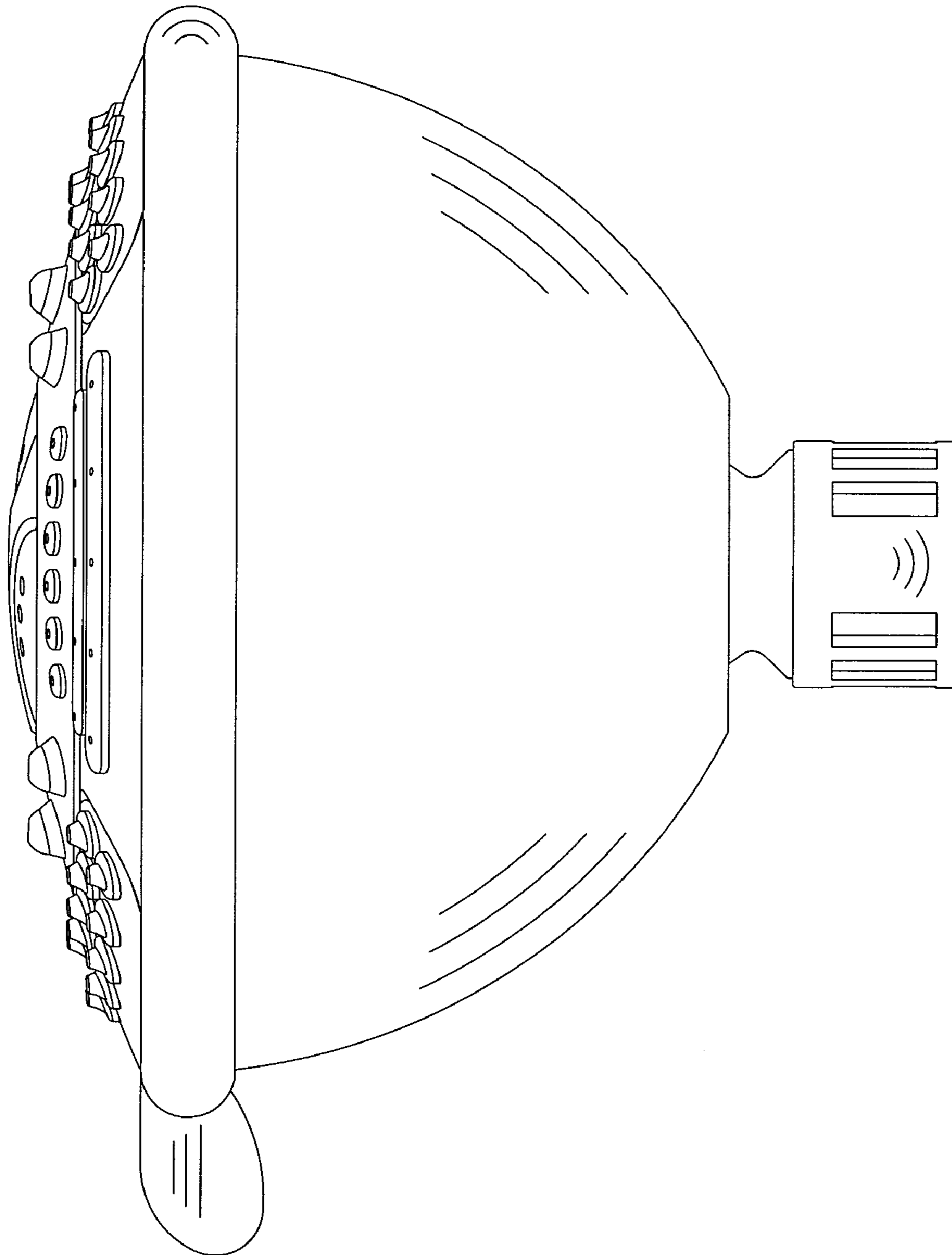


FIG. 4

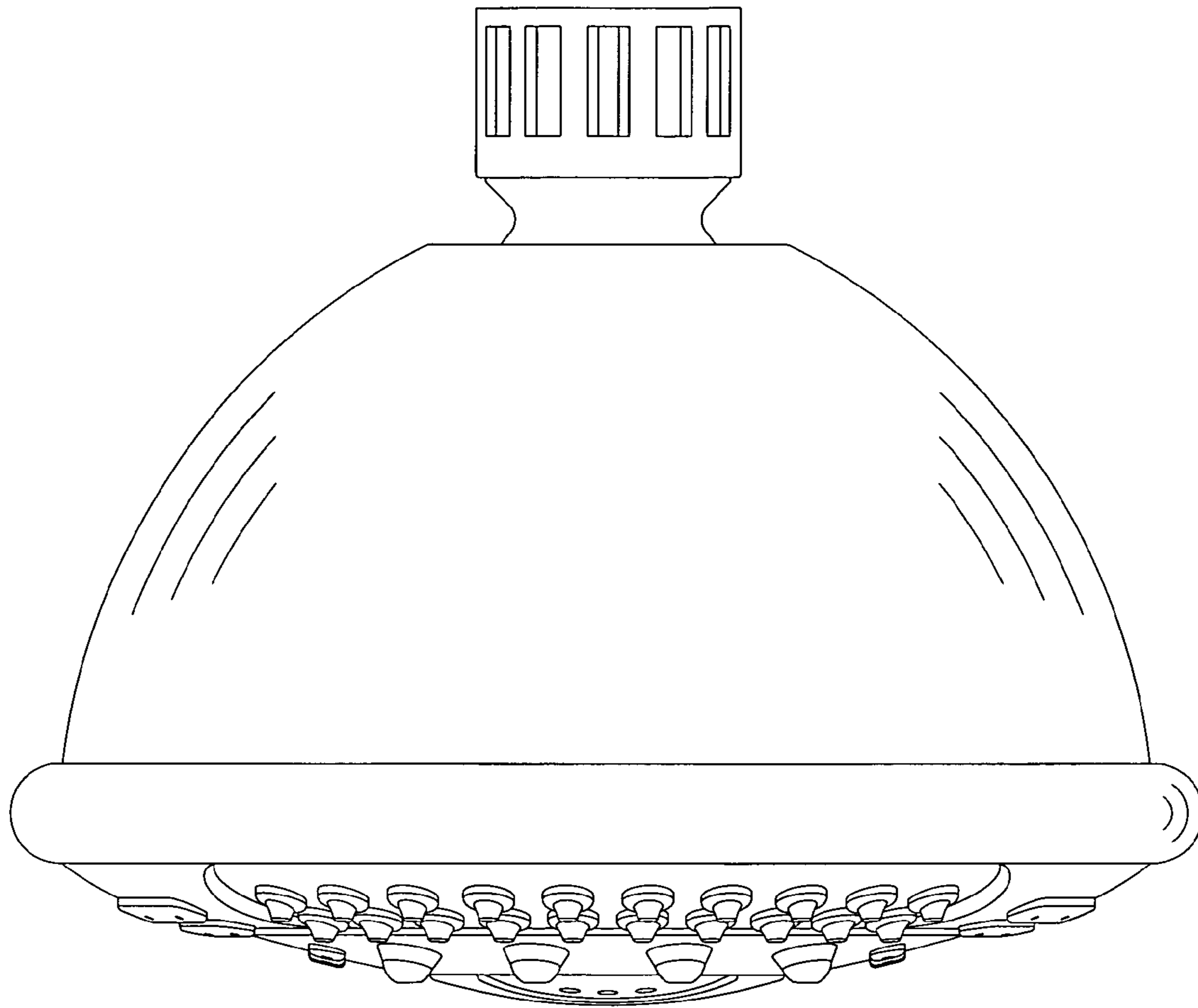


FIG. 5

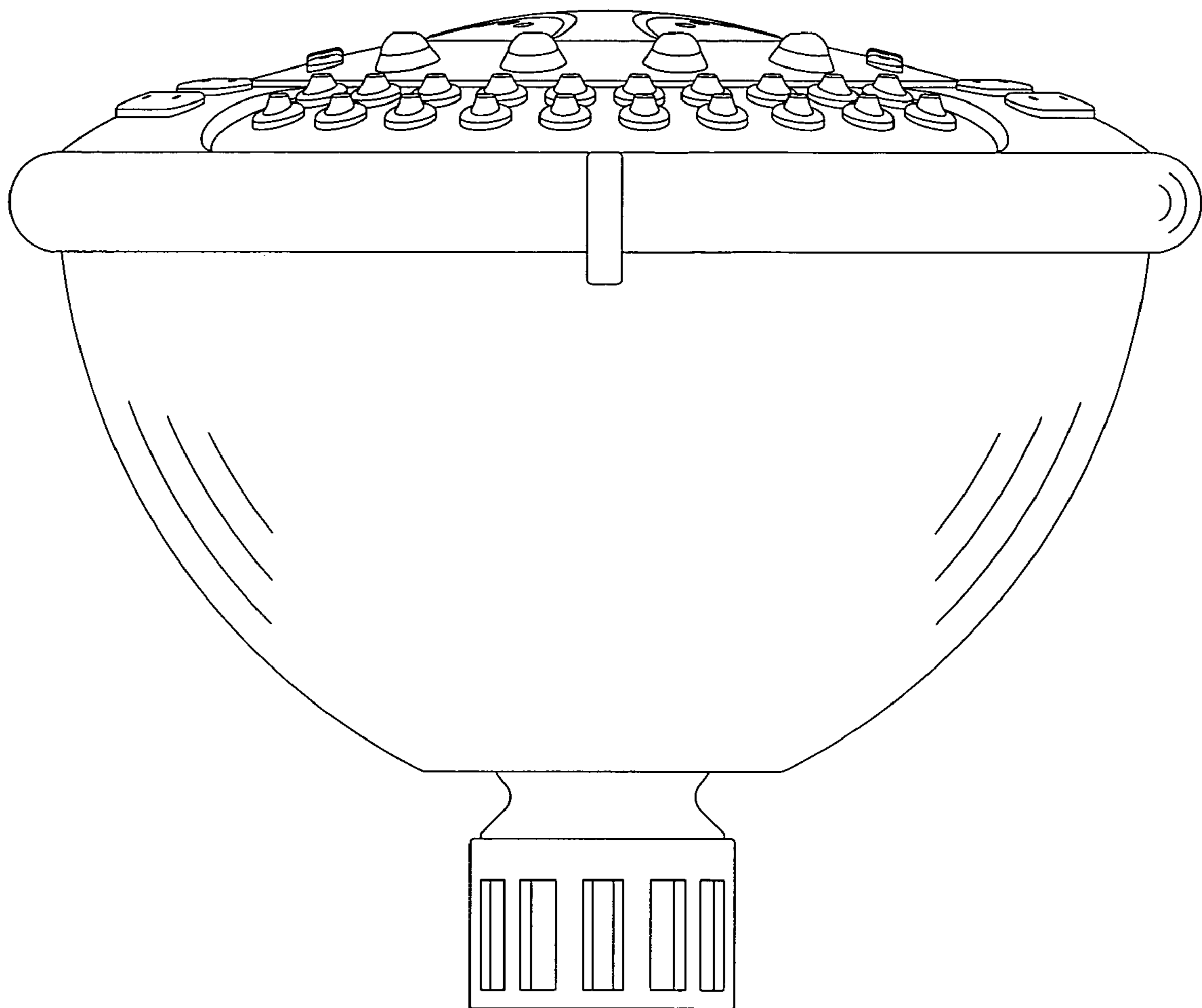


FIG. 6

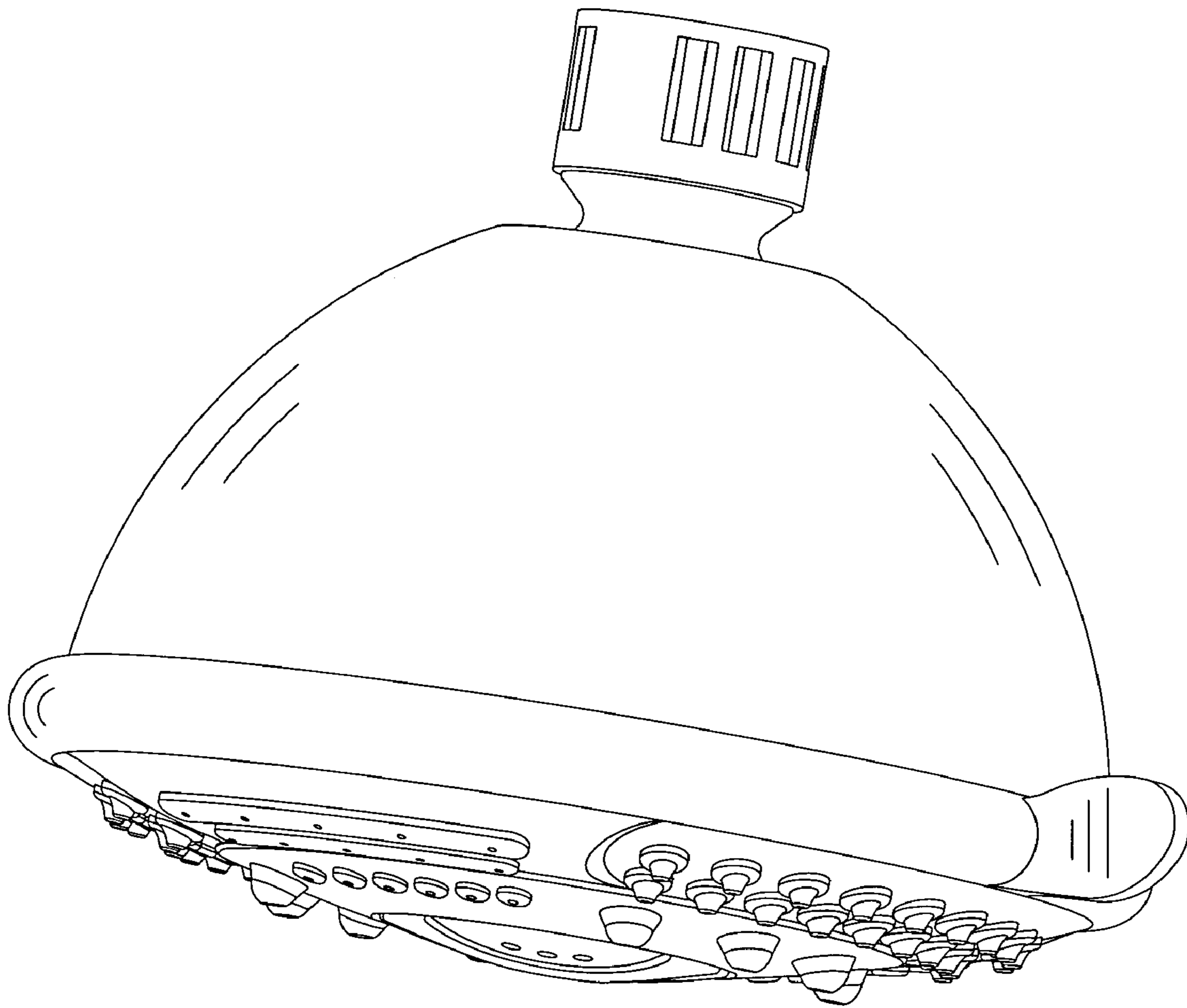


FIG. 7