



US00D617868S

(12) **United States Design Patent**
Leavitt et al.

(10) **Patent No.:** **US D617,868 S**
(45) **Date of Patent:** **** *Jun. 15, 2010**

(54) **LIQUID FILTER**

(75) Inventors: **David Leavitt**, Edmond, OK (US); **John Famula**, Severna Park, MD (US); **Christer Broman**, Millersville, MD (US); **Jeremy Hess**, Fayetteville, AR (US)

(73) Assignee: **Fluid Treatment Systems, Inc.**, Severna Park, MD (US)

(*) Notice: This patent is subject to a terminal disclaimer.

(**) Term: **14 Years**

(21) Appl. No.: **29/332,825**

(22) Filed: **Feb. 26, 2009**

(51) **LOC (9) Cl.** **23-01**

(52) **U.S. Cl.** **D23/209**

(58) **Field of Classification Search** D23/207,
D23/209; 210/464, 282, 806
See application file for complete search history.

(56) **References Cited**

U.S. PATENT DOCUMENTS

D198,153 S * 5/1964 Baker et al. D23/209
D586,880 S * 2/2009 Gaston et al. D23/209

* cited by examiner

Primary Examiner—Robin V Webster

(74) *Attorney, Agent, or Firm*—Dunlap Coddling, P.C.

(57) **CLAIM**

The ornamental design for a liquid filter, as shown and described.

DESCRIPTION

FIG. 1 is a perspective view of the liquid filter showing our new design;

FIG. 2 is a top plan view thereof;

FIG. 3 is a bottom plan view thereof, apertures in the bottom of the liquid filter being shown in phantom for illustrative purposes only and not constituting a part of the design;

FIG. 4 is a side elevational view thereof, outlet apertures of the liquid filter being shown in phantom for illustrative purposes only and not constituting a part thereof; each of the remaining sides of the liquid filter which include the front and rear views thereof are substantially identical to the side elevational view shown in FIG. 4

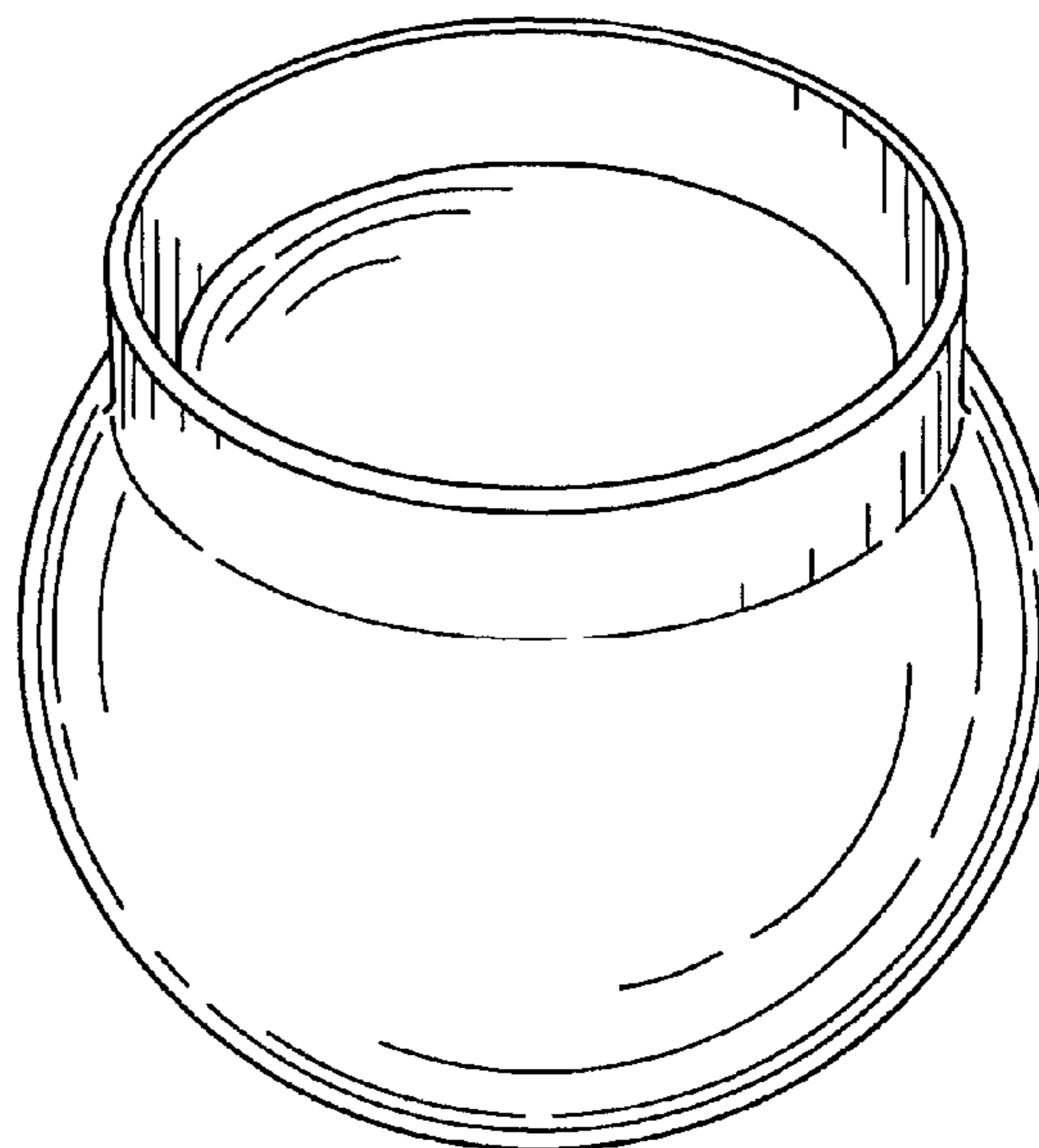
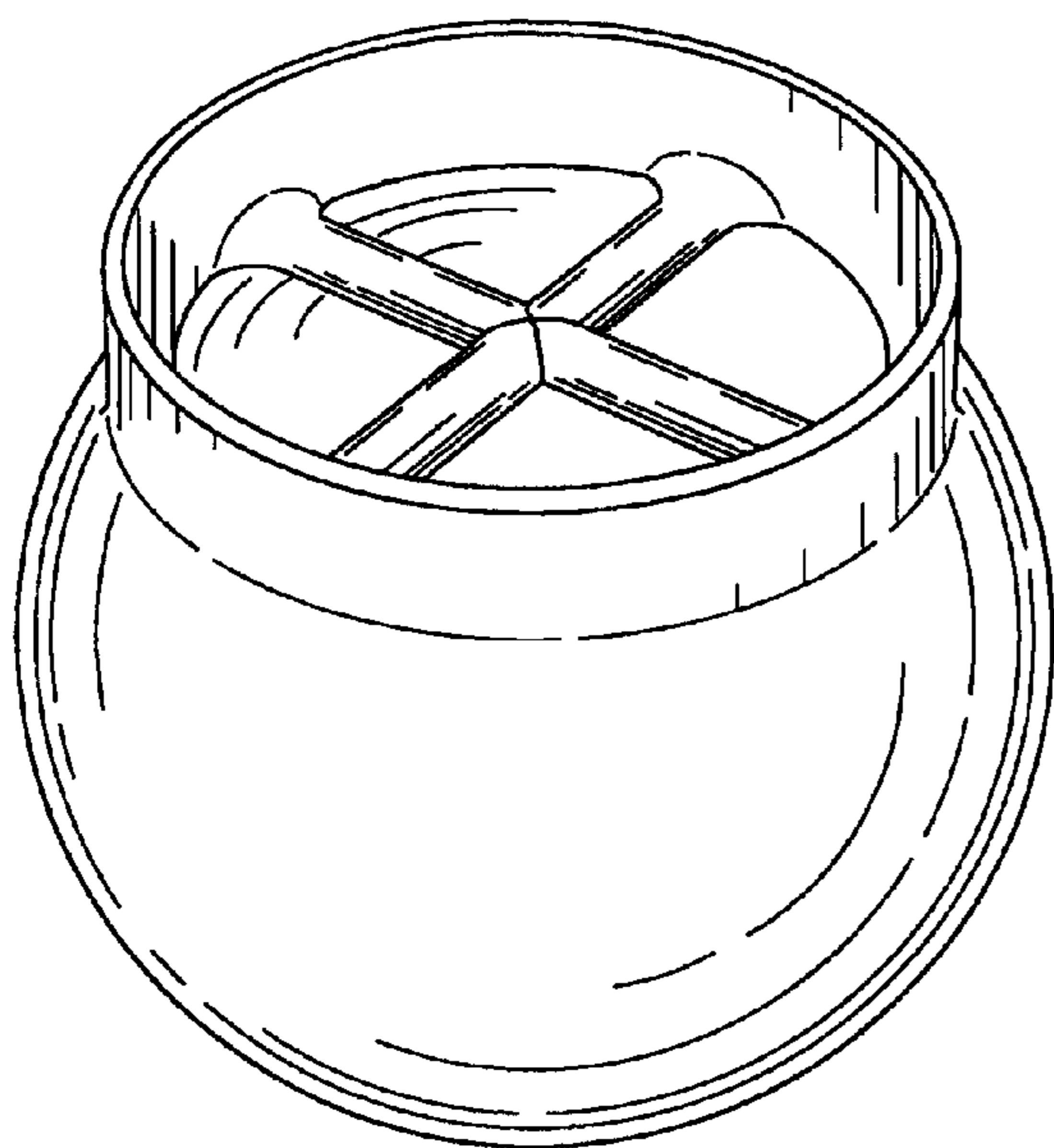
FIG. 5 is a perspective view of another embodiment of the liquid filter of the present invention;

FIG. 6 is a top plan view thereof;

FIG. 7 is a bottom plan view thereof, outlet apertures of the liquid filter being shown in phantom for illustrative purposes only and not constituting a part of the design; and,

FIG. 8 is a side elevational view thereof, outlet apertures in the bottom thereof being shown in phantom line for illustrative purposes only, each of the side elevational view being identical to that shown, each of the remaining sides of the liquid filter which include the front and rear views thereof are substantially identical to the side elevational view shown in FIG. 8.

1 Claim, 4 Drawing Sheets



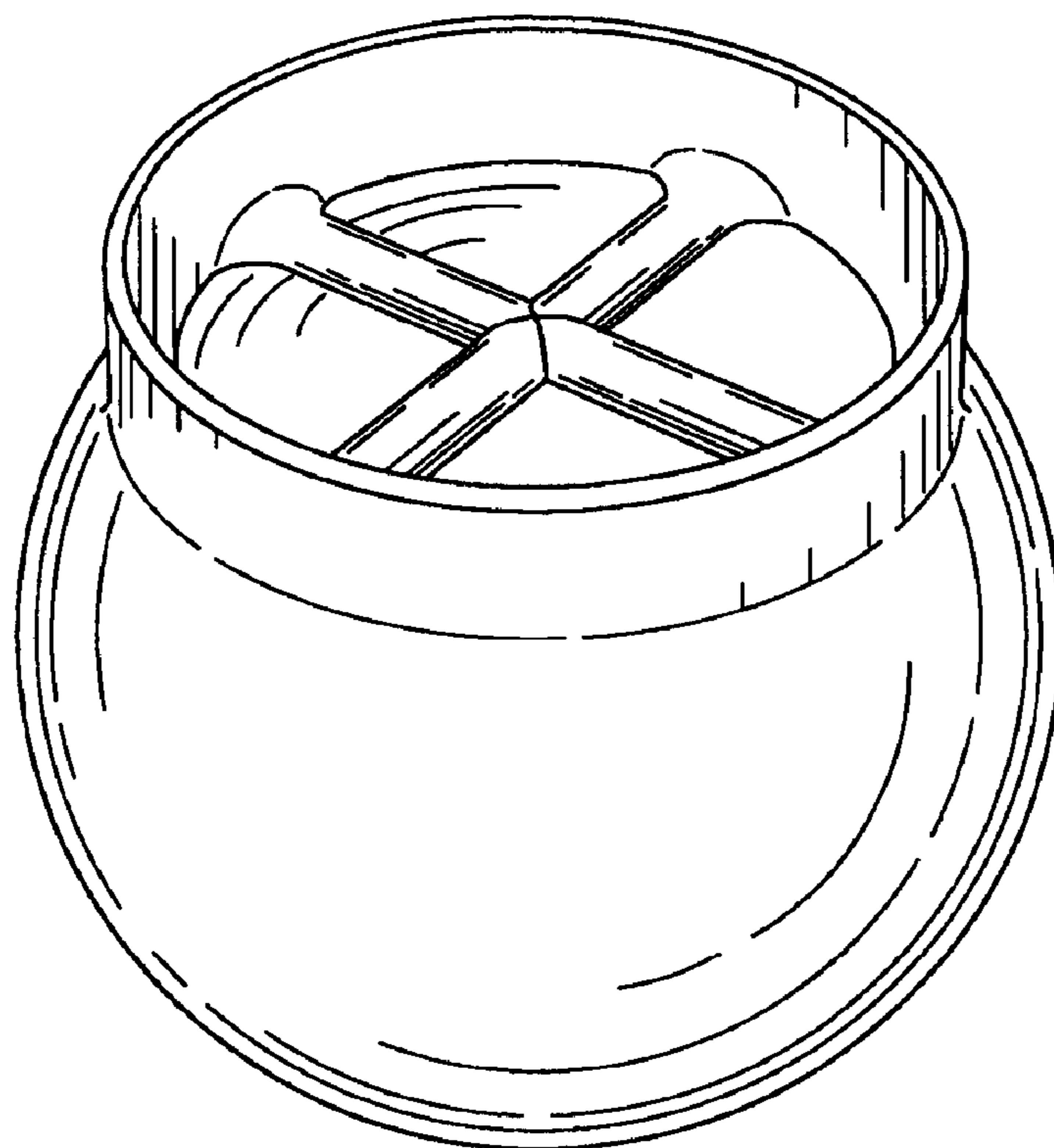


FIG. 1

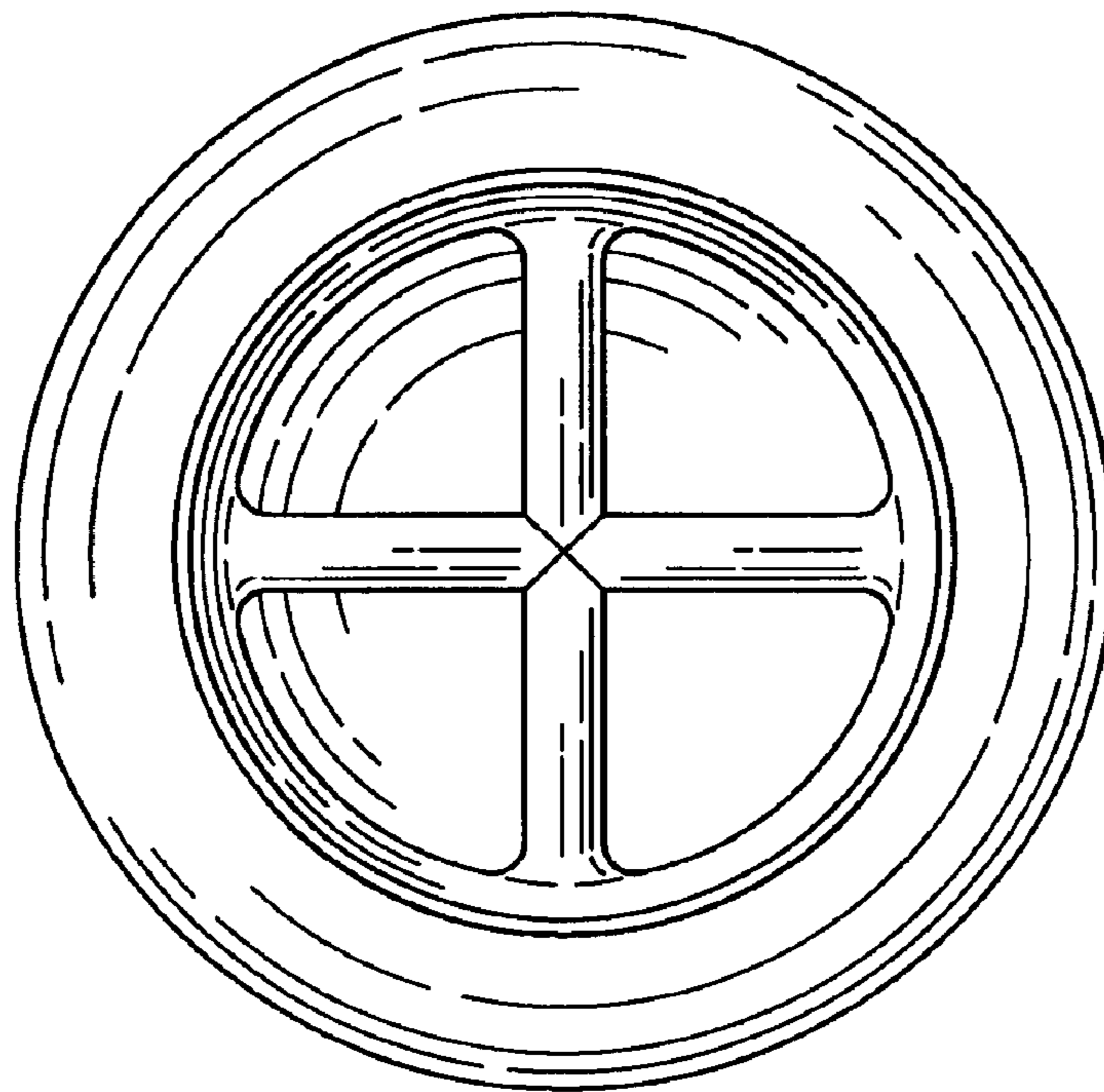


FIG. 2

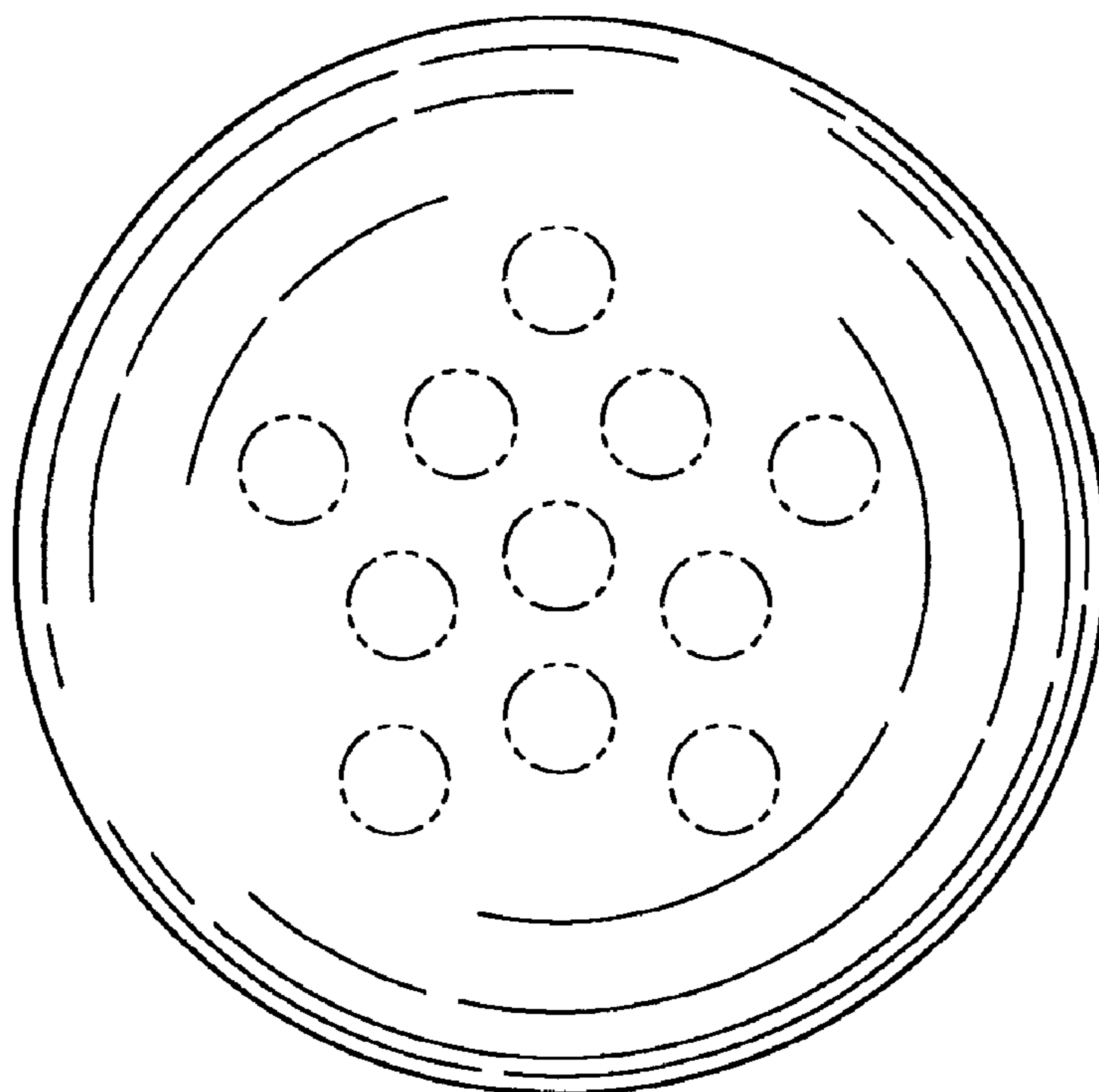


FIG. 3

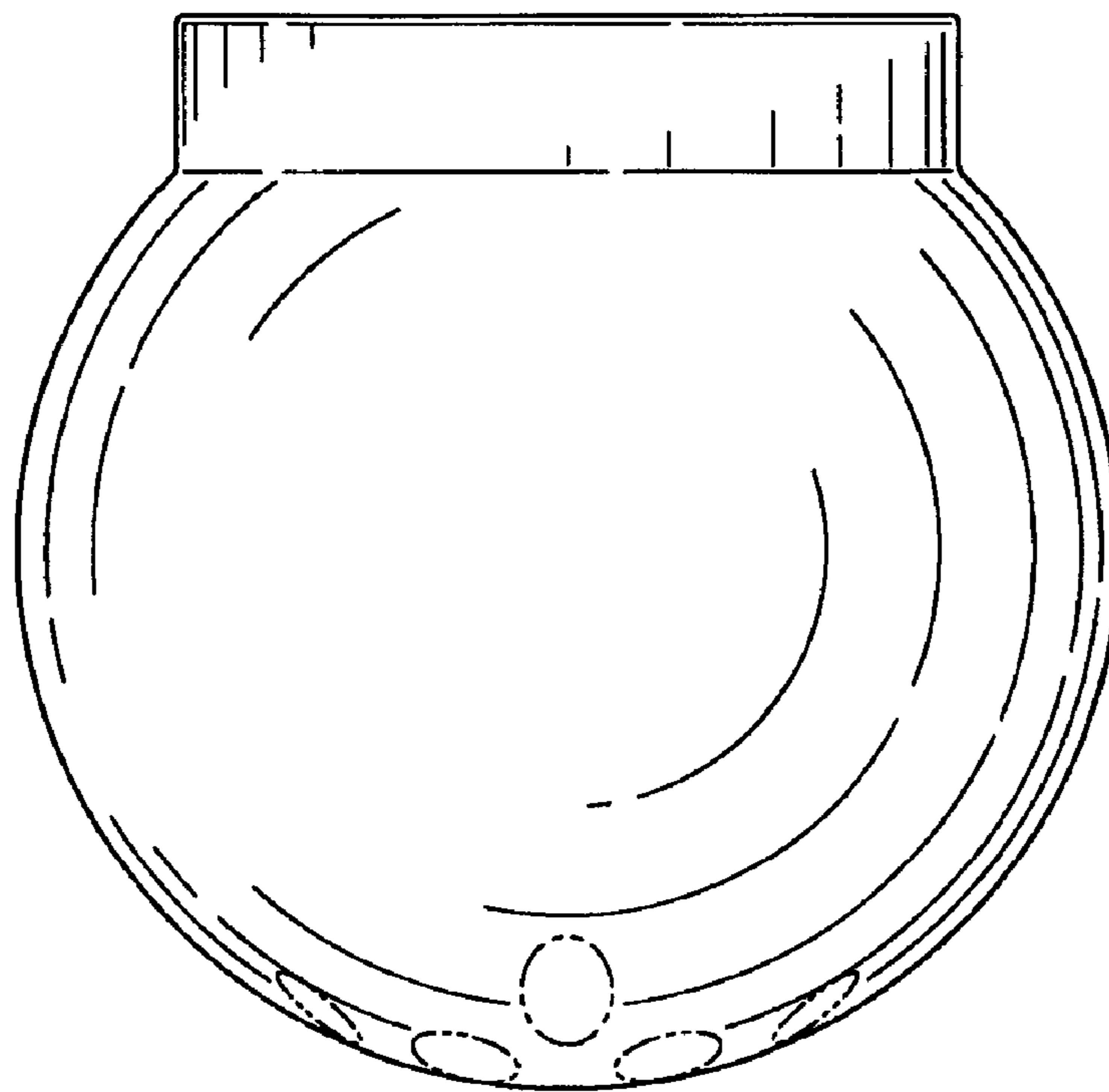
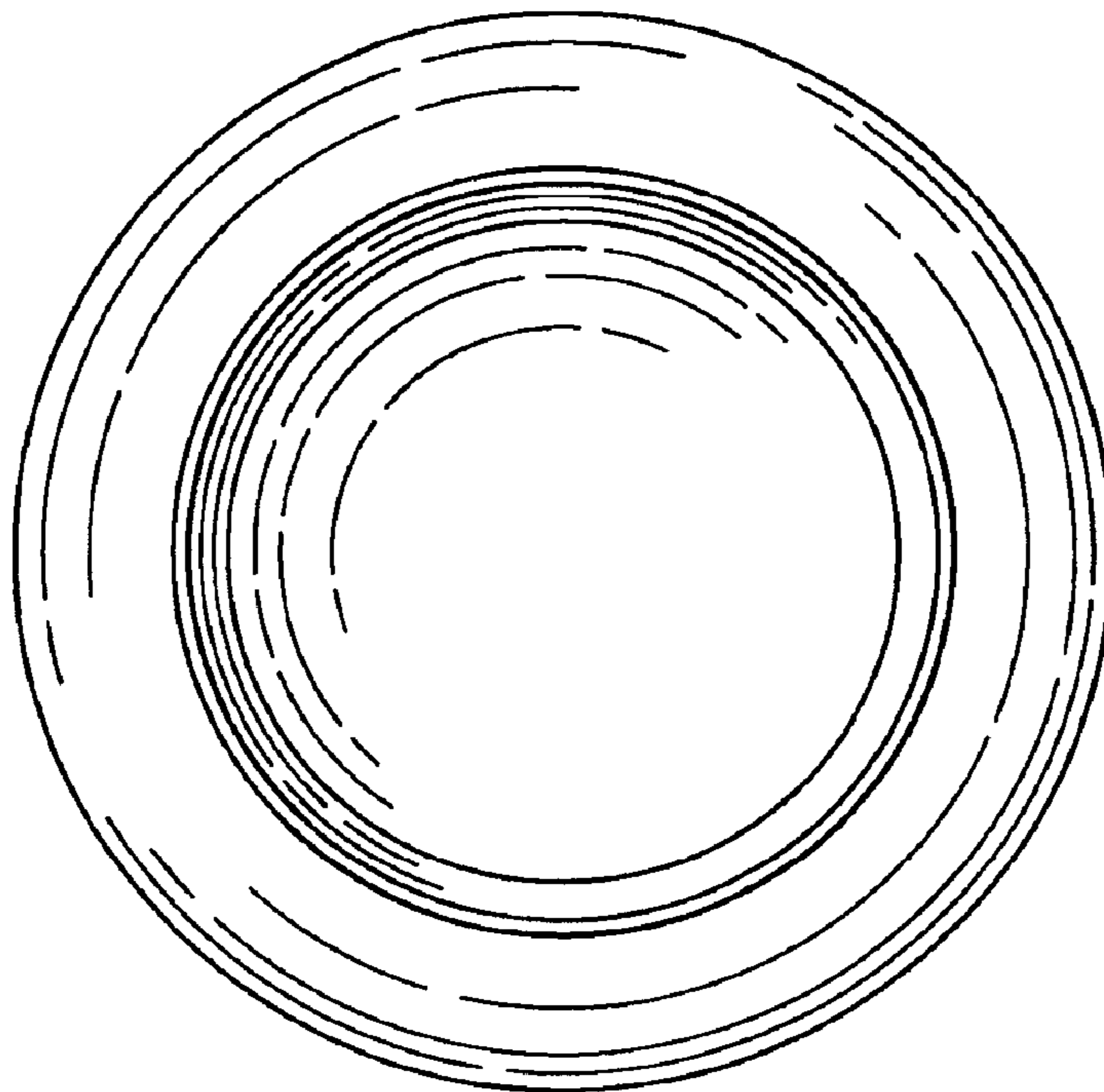
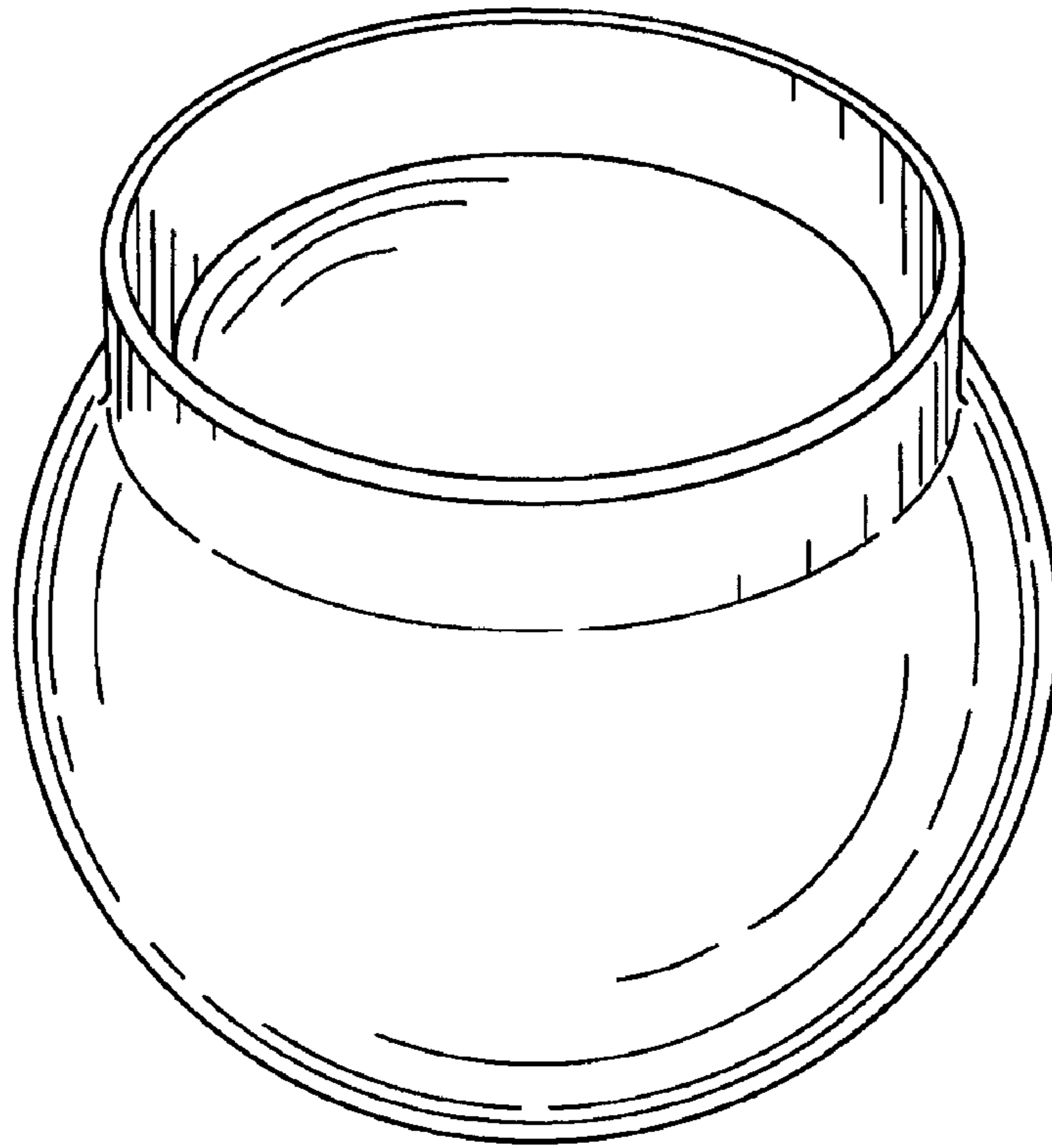


FIG. 4



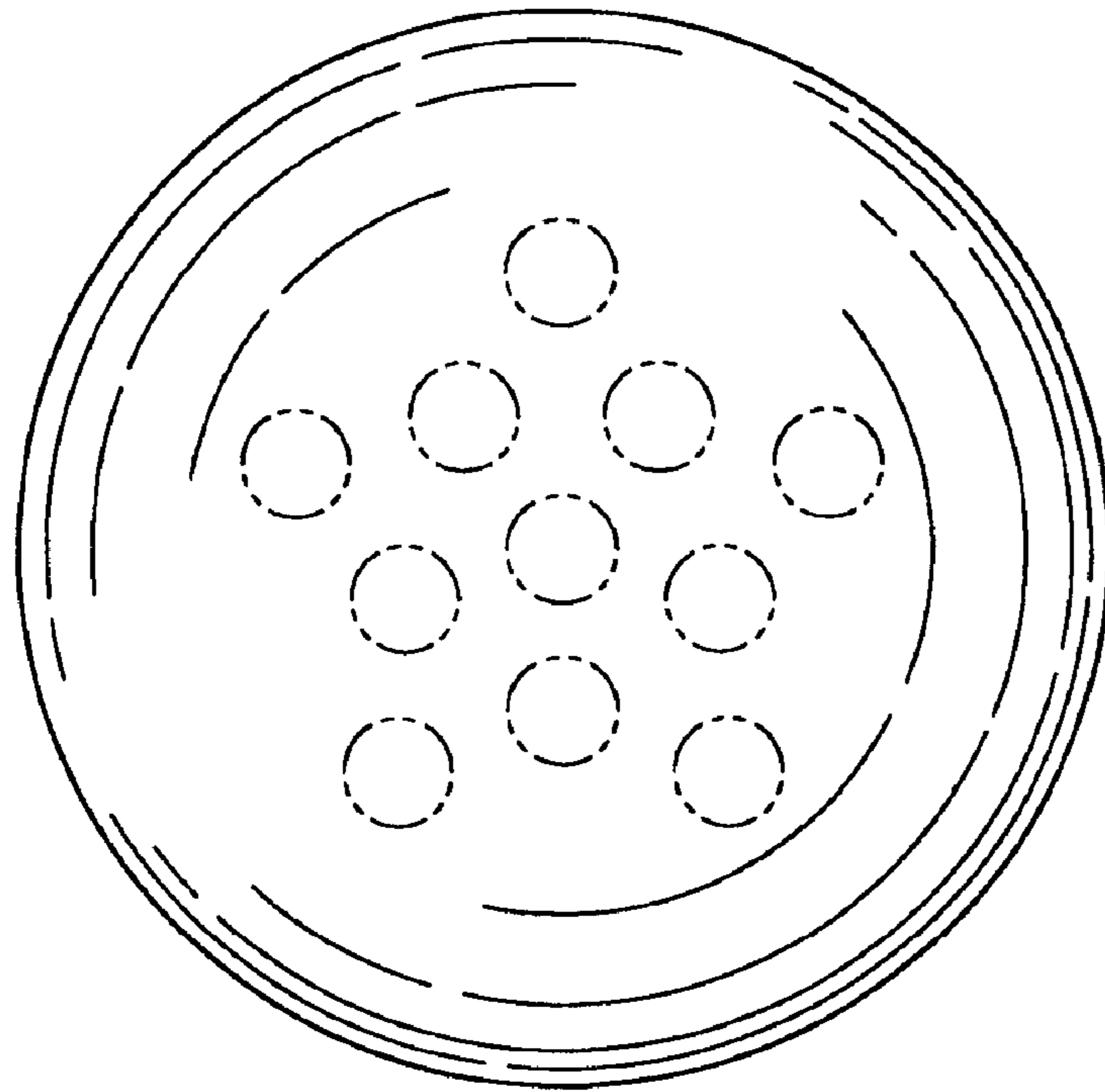


FIG. 2

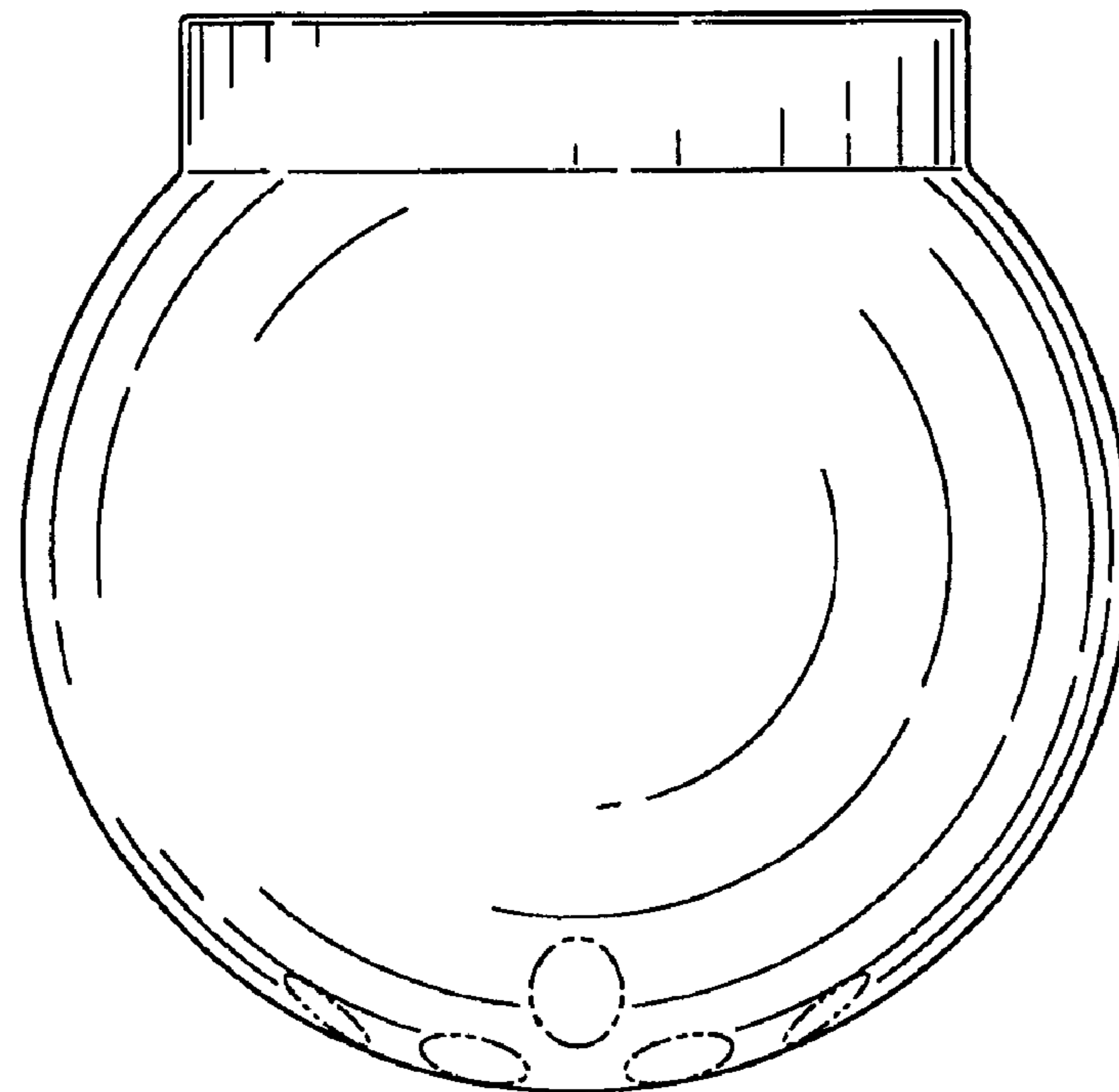


FIG. 3