



US00D617866S

(12) **United States Design Patent**
Rustowicz

(10) **Patent No.:** **US D617,866 S**

(45) **Date of Patent:** **** Jun. 15, 2010**

(54) **SMALL-FLY-AND-HOOK THREADER**

5,155,930 A * 10/1992 Monarez 43/4
D354,543 S * 1/1995 Alongi D22/149

(76) Inventor: **John W. Rustowicz**, P.O. Box 189,
Capac, MI (US) 48014

* cited by examiner

(**) Term: **14 Years**

Primary Examiner—Catherine R Oliver

(74) *Attorney, Agent, or Firm*—Bliss McGlynn, P.C.

(21) Appl. No.: **29/350,589**

(57) **CLAIM**

(22) Filed: **Nov. 19, 2009**

The ornamental design for a small-fly-and-hook threader, as shown and described.

(51) **LOC (9) Cl.** **22-05**

(52) **U.S. Cl.** **D22/149**

(58) **Field of Classification Search** D22/149,
D22/134, 199; 43/4, 1, 53.5; 7/106, 158,
7/118, 161, 167; 294/26, 61

DESCRIPTION

See application file for complete search history.

FIG. 1 is a perspective view of the small-fly-and-hook threader design of the present invention;

FIG. 2 is a top view thereof;

FIG. 3 is a side view thereof;

FIG. 4 is a bottom view thereof;

FIG. 5 is a front view thereof; and,

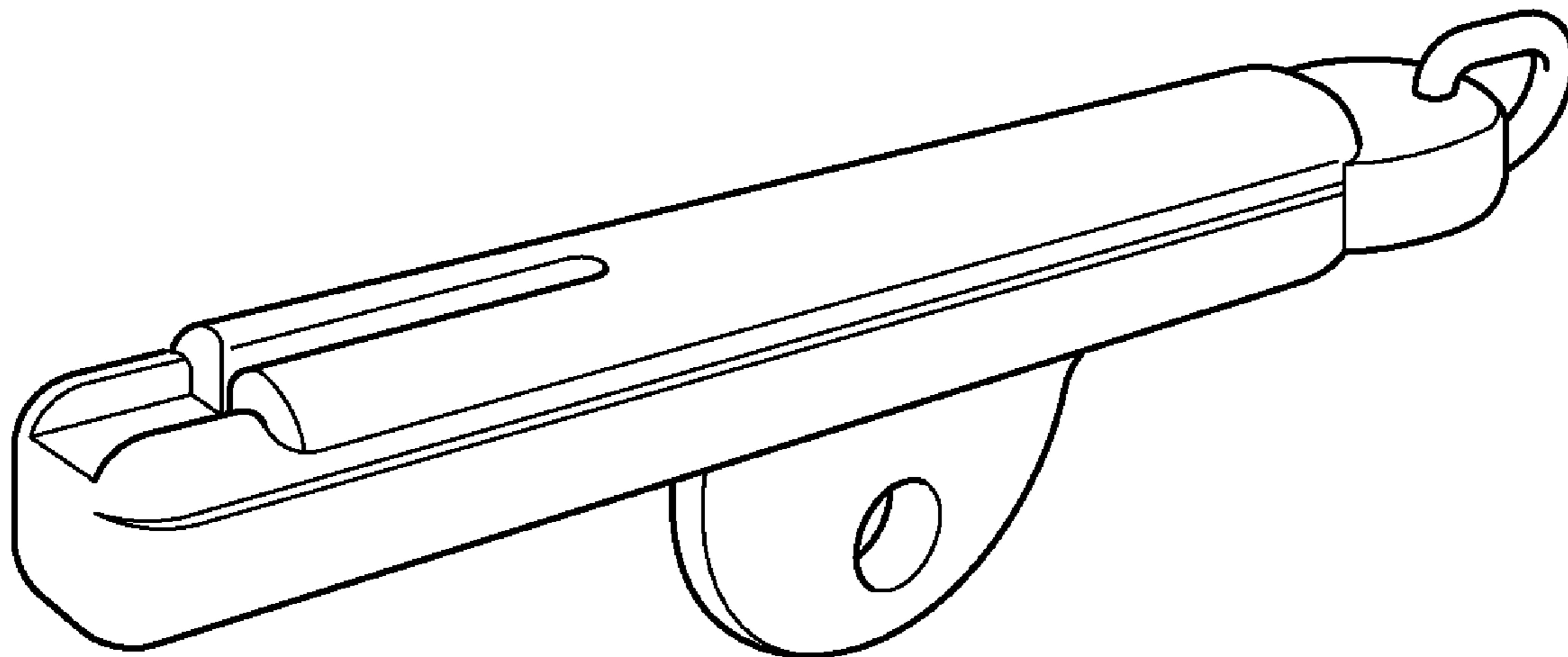
FIG. 6 is a rear view thereof.

(56) **References Cited**

U.S. PATENT DOCUMENTS

3,164,067 A * 1/1965 Hurst 43/4
D231,454 S * 4/1974 Bloch D22/149
4,915,631 A * 4/1990 Robinson et al. 43/4
D312,860 S * 12/1990 Toogood D22/149

1 Claim, 1 Drawing Sheet



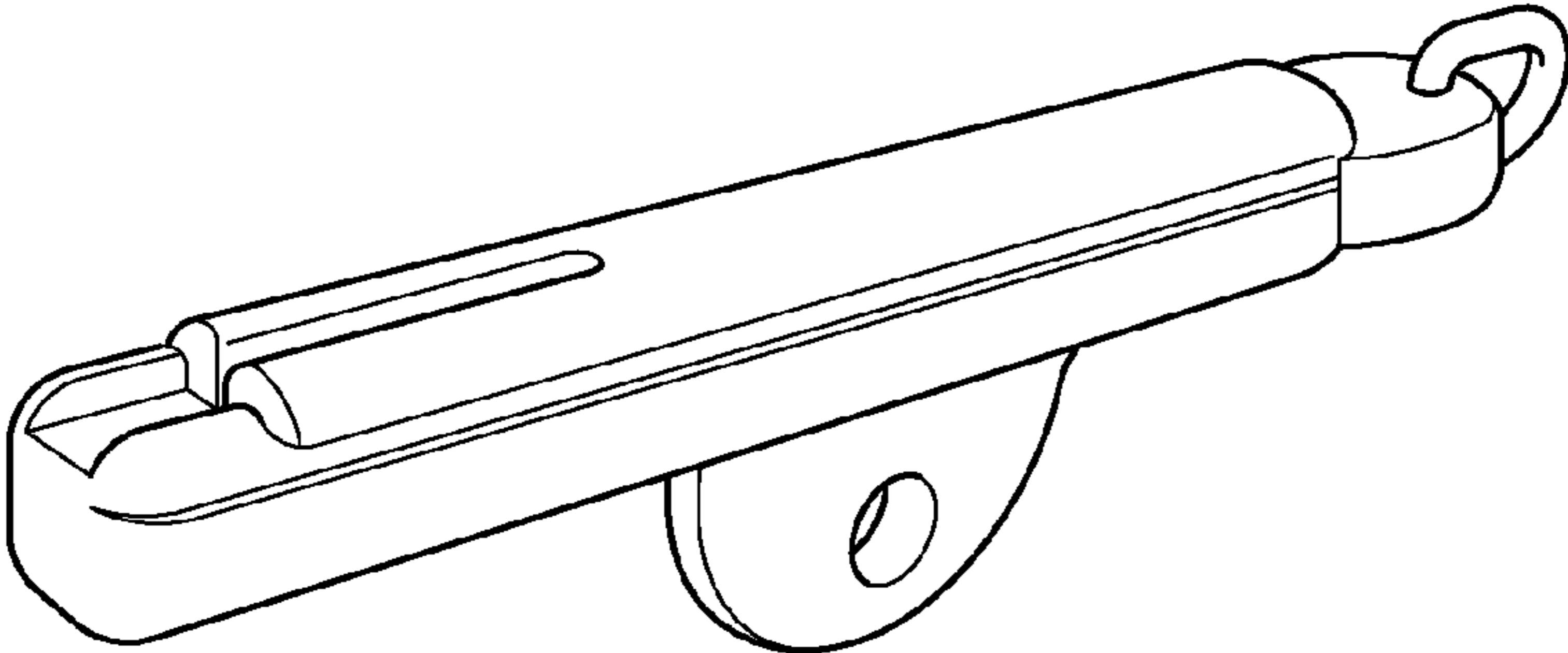


FIG. 1

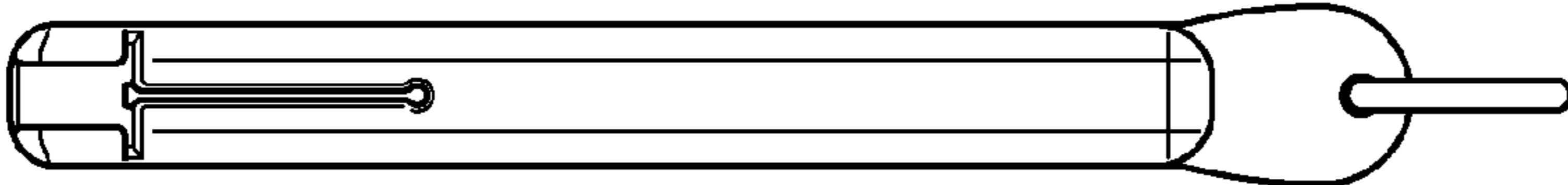


FIG. 2

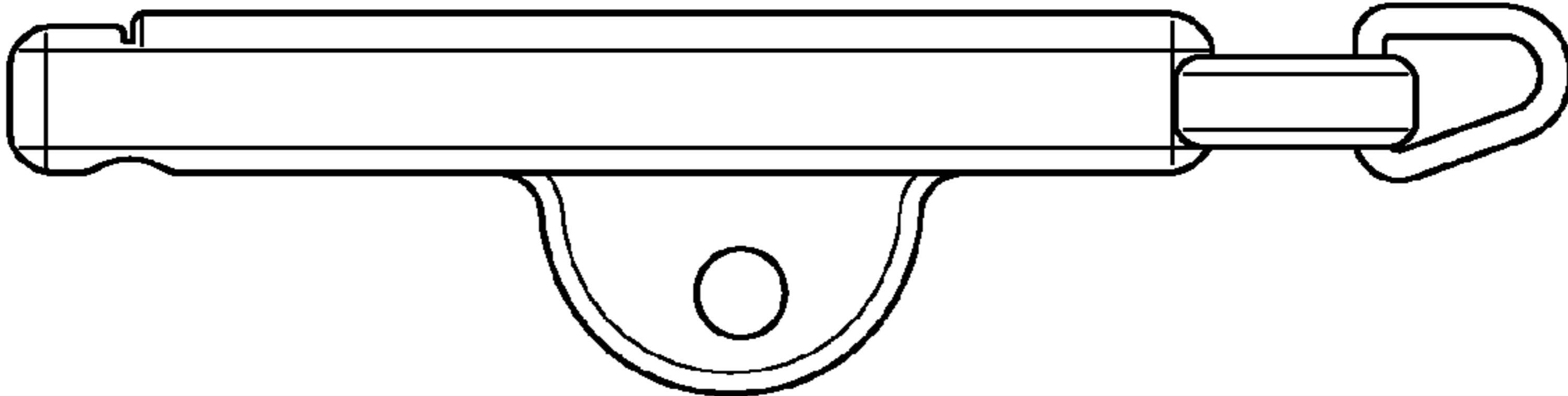


FIG. 3

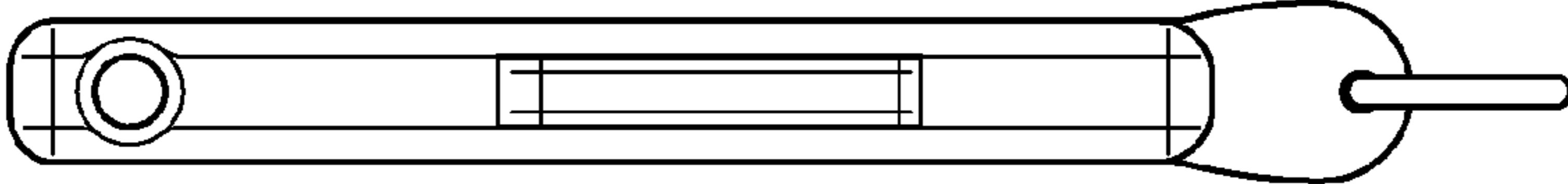


FIG. 4

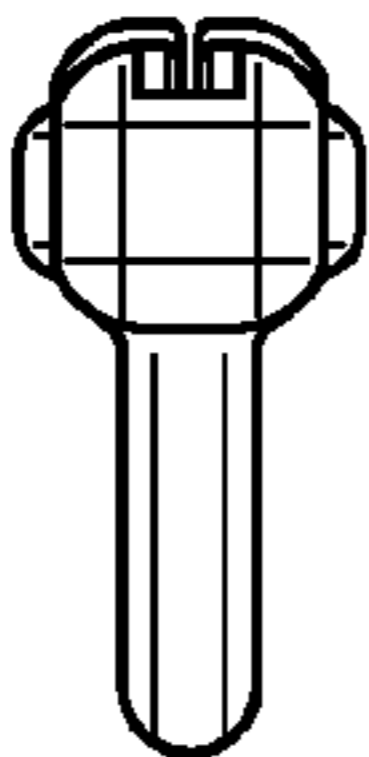


FIG. 5

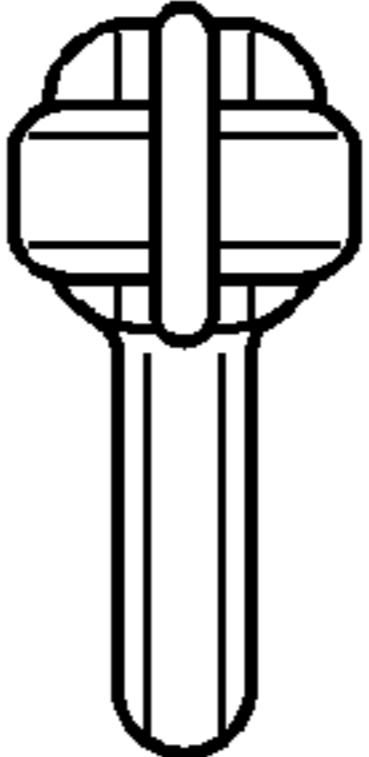


FIG. 6