



US00D617864S

(12) **United States Design Patent**
Cink et al.

(10) **Patent No.:** **US D617,864 S**
(45) **Date of Patent:** **** *Jun. 15, 2010**

(54) **LIVE TRAP FOR TRAPPING RODENTS**
(75) Inventors: **James H. Cink**, Ballwin, MO (US);
Jonathan D. Berger, St. Louis, MO
(US); **Brian James Mann**, Wildwood,
MO (US); **Edward Francis Marshall**,
Lansing, MO (US); **Henry Wayne**
Moran, Ballwin, MO (US); **James**
David Poling, Clarkson Valley, MO (US)

1,349,177 A 8/1920 Wiemer
1,388,786 A 8/1921 Albrecht et al.
1,415,801 A 5/1922 Code
1,422,894 A 7/1922 Skubinski
1,461,681 A 7/1923 Schuckman
1,488,503 A 4/1924 Karda

(Continued)

(73) Assignee: **BASF Corporation**, Florham Park, NJ
(US)

FOREIGN PATENT DOCUMENTS

GB 2023987 A 1/1980

(**) Term: **14 Years**

(Continued)

(21) Appl. No.: **29/343,952**

OTHER PUBLICATIONS

(22) Filed: **Sep. 22, 2009**

Pest Notes, Feb. 2001, 17 pages, vol. 3, Issue 2, Defense Supply
Center Philadelphia West Coast Support Office, Philadelphia, US.

(51) **LOC (9) Cl.** **22-06**
(52) **U.S. Cl.** **D22/119**
(58) **Field of Classification Search** D22/119-124;
43/58, 60-61, 68, 76, 81, 112-114, 124,
43/131, 132.1

(Continued)

Primary Examiner—Catherine R Oliver
(74) *Attorney, Agent, or Firm*—Armstrong Teasdale, LLP

See application file for complete search history.

(57) **CLAIM**

(56) **References Cited**

The ornamental design for a live trap for trapping rodents, as
shown and described.

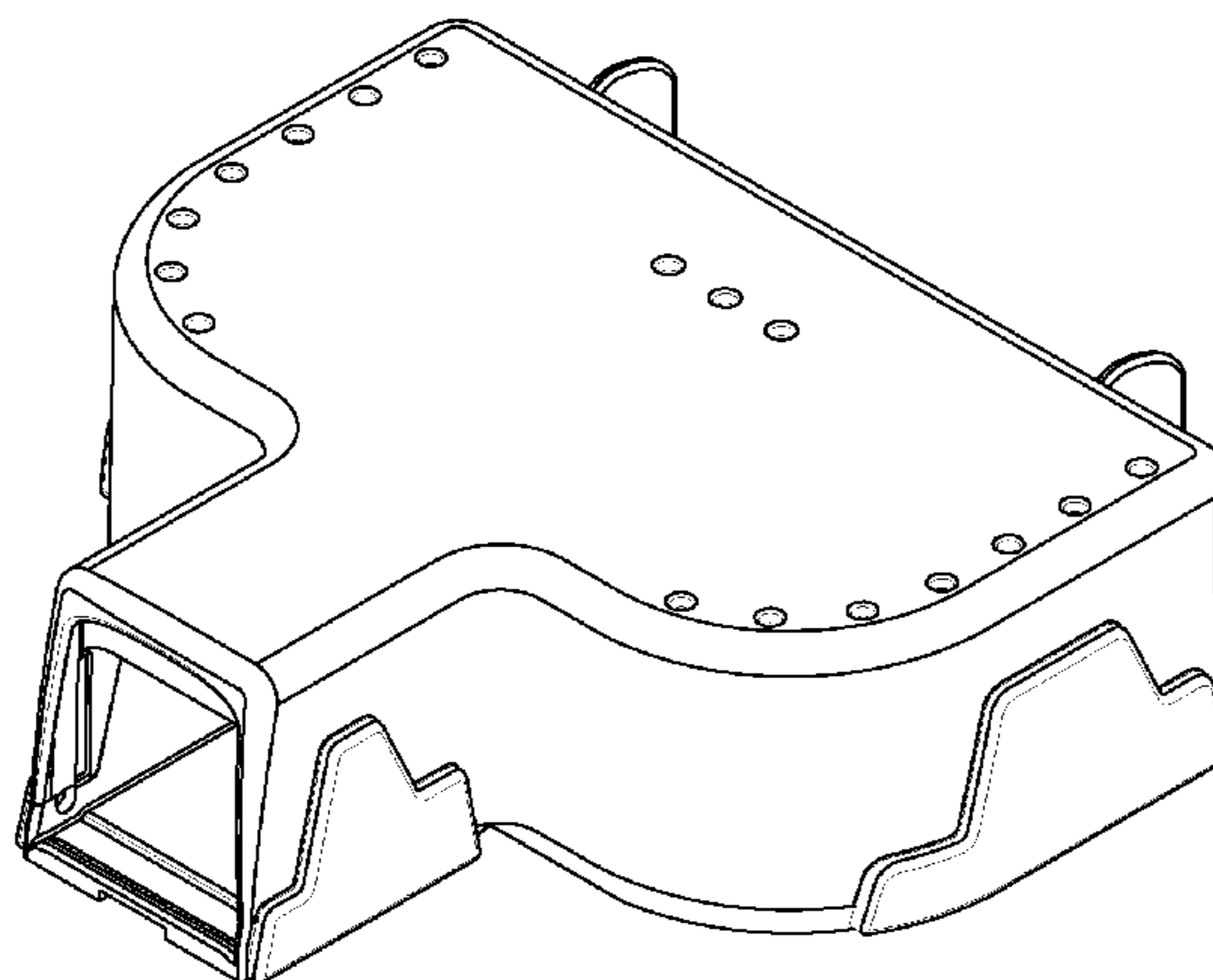
U.S. PATENT DOCUMENTS

147,899 A 2/1874 Carnahan
202,971 A 4/1878 Wigginton
218,175 A 8/1879 Hollingshead
224,960 A 2/1880 Simpson
527,044 A 10/1894 Brown
741,935 A 10/1903 Schickerling
942,069 A 12/1909 Hess
1,016,405 A 2/1912 Ferguson
1,040,329 A 10/1912 Holt
1,063,347 A 6/1913 Hall
1,074,916 A 10/1913 Wiesen
1,085,970 A 2/1914 Butcher
1,138,132 A 5/1915 Marsh
1,142,781 A 6/1915 Cameron
1,213,876 A 1/1917 Hovis
1,218,406 A 3/1917 Jackson
1,321,360 A 11/1919 Bright

DESCRIPTION

FIG. 1 is a front perspective of a live trap for trapping rodents
according to our new design;
FIG. 2 is a front elevational view thereof;
FIG. 3 is a top plan view thereof;
FIG. 4 is a right side elevational view thereof
FIG. 5 is a left side elevational view thereof;
FIG. 6 is a bottom plan view thereof; and,
FIG. 7 is a rear elevational view thereof.

1 Claim, 7 Drawing Sheets



US D617,864 S

Page 2

U.S. PATENT DOCUMENTS					
1,505,996 A	8/1924	Drought	5,272,832 A	12/1993	Marshall et al.
1,511,123 A	10/1924	Hart	5,299,380 A	4/1994	Fornal, Sr.
1,516,312 A	11/1924	Scott	D362,045 S *	9/1995	Demarest D22/119
1,586,630 A	6/1926	Lee et al.	5,446,992 A	9/1995	Stewart
1,618,513 A	2/1927	Coghill	5,448,852 A	9/1995	Spragins et al.
1,638,767 A	8/1927	Harmon	5,471,781 A	12/1995	Vine
1,668,726 A	5/1928	Mueller	5,628,143 A	5/1997	Doucette
1,723,208 A	8/1929	Raj	D385,611 S *	10/1997	Prince et al. D22/119
1,860,599 A	5/1932	Schiltz	5,682,705 A	11/1997	Stahl
1,868,847 A	7/1932	Pearson	5,806,237 A	9/1998	Nelson et al.
1,911,919 A	5/1933	Molls	5,857,286 A	1/1999	Doucette
1,964,611 A	6/1934	Watson	5,930,944 A	8/1999	Knuppel
1,982,389 A	11/1934	Johnson	5,943,813 A	8/1999	Wang
2,193,937 A	3/1940	Pirani et al.	5,943,817 A	8/1999	Miller
2,231,191 A	2/1941	Martino	5,953,853 A	9/1999	Kim
2,490,180 A	12/1949	Varnedoe, Jr.	5,966,863 A	10/1999	Payton et al.
2,532,681 A	12/1950	Stover	5,979,105 A	11/1999	Marks
2,568,168 A	9/1951	Query	6,016,623 A	1/2000	Celestine
2,589,360 A	3/1952	Ferguson	6,082,042 A *	7/2000	Issitt 43/131
2,643,480 A	6/1953	Jones	6,145,242 A	11/2000	Simpson
2,664,663 A	1/1954	Mullen	6,164,010 A	12/2000	Snell et al.
2,683,326 A	7/1954	Gardner et al.	6,202,339 B1	3/2001	Knuppel
2,710,485 A	6/1955	Starr	6,202,340 B1	3/2001	Nieves
2,752,722 A	7/1956	Gardner	6,212,819 B1	4/2001	Edwards
2,787,082 A	4/1957	Paschen	6,263,612 B1	7/2001	Shultz
2,944,364 A	7/1960	Kelly	6,266,917 B1	7/2001	Hight
3,320,692 A	5/1967	Hellen	6,272,789 B1	8/2001	Huang
3,585,750 A	6/1971	Routt	6,272,791 B1	8/2001	Pleasants
3,699,927 A	10/1972	Van Dongen	6,370,813 B1 *	4/2002	Nelson et al. 43/131
3,733,735 A	5/1973	Hirsch	6,389,738 B1	5/2002	Denny et al.
3,786,591 A	1/1974	Morford	D459,428 S	6/2002	Johnson et al.
3,940,876 A	3/1976	Zaccaira	6,397,517 B1	6/2002	Leyerle et al.
3,992,803 A	11/1976	Kaiser	6,470,622 B1	10/2002	Braun
4,026,064 A	5/1977	Baker	6,481,151 B1	11/2002	Johnson et al.
4,030,230 A	6/1977	Souza	6,493,988 B1	12/2002	Johnson
4,062,142 A	12/1977	Marotti	6,497,070 B1	12/2002	Snell et al.
D246,854 S	1/1978	Baker	6,513,283 B1	2/2003	Crossen
4,103,448 A	8/1978	Souza	6,571,509 B2	6/2003	Frasier
4,138,796 A	2/1979	Souza	6,594,947 B2	7/2003	Lingren et al.
4,151,673 A	5/1979	Campbell	6,618,983 B1	9/2003	Spragins
4,157,628 A	6/1979	Saslove	6,622,422 B2	9/2003	Gehret et al.
4,216,606 A	8/1980	Kaiser et al.	6,631,582 B2	10/2003	Knuppel et al.
4,238,903 A	12/1980	Mazzei	6,651,378 B2	11/2003	Baker
4,251,946 A	2/1981	Lindley	6,671,999 B1	1/2004	Doucette
D258,751 S	3/1981	Lindley	6,684,560 B2	2/2004	Lafforthun
4,349,982 A	9/1982	Sherman	6,694,669 B2	2/2004	Gehret et al.
4,363,184 A	12/1982	Marcolina	6,789,352 B2	9/2004	Price et al.
4,403,438 A	9/1983	West-Harron	6,792,713 B2	9/2004	Snell
4,418,493 A	12/1983	Jordan	6,807,768 B2	10/2004	Johnson et al.
4,453,337 A	6/1984	Williams	6,860,060 B2	3/2005	Hayes et al.
4,541,198 A	9/1985	Sherman	6,874,274 B2	4/2005	Townsend
4,550,523 A	11/1985	Spiller	6,955,007 B2	10/2005	Gehret et al.
4,550,525 A	11/1985	Baker et al.	6,990,766 B2	1/2006	Gehret et al.
D282,390 S	1/1986	Ford et al.	7,026,942 B2	4/2006	Cristofori et al.
4,607,450 A	8/1986	Kaiser et al.	D529,571 S *	10/2006	Hoyes D22/119
4,619,071 A	10/1986	Willis	7,363,744 B2	4/2008	Kness et al.
4,637,162 A	1/1987	Sherman	D609,303 S *	2/2010	Brandt et al. D22/119
4,658,536 A	4/1987	Baker	2001/0001353 A1	5/2001	Jones
4,660,320 A	4/1987	Baker et al.	2001/0017001 A1	8/2001	Leverton
4,719,718 A	1/1988	Kon	2001/0033230 A1	10/2001	Barber et al.
4,741,121 A	5/1988	Pratscher et al.	2001/0047613 A1	12/2001	Caffagni
4,787,170 A	11/1988	Kingsbury et al.	2002/0043018 A1	4/2002	Townsend
4,793,093 A	12/1988	Gentile	2002/0046483 A1	4/2002	Snell et al.
4,825,581 A	5/1989	Dailey	2002/0046512 A1	4/2002	Roberts
4,835,902 A	6/1989	Sherman	2002/0178648 A1	12/2002	Frasier
4,837,969 A	6/1989	Demarest	2002/0184811 A1	12/2002	Wright
4,887,381 A	12/1989	Tieben	2002/0184813 A1	12/2002	Johnson et al.
4,905,407 A	3/1990	Sherman	2003/0014902 A1	1/2003	Draper
5,040,327 A	8/1991	Stack et al.	2003/0019148 A1	1/2003	Kao et al.
5,067,271 A	11/1991	Henning	2003/0029076 A1	2/2003	Snell et al.
5,148,624 A	9/1992	Schmidt	2003/0041504 A1	3/2003	Knuppel et al.
			2003/0069697 A1	4/2003	Mafra-Neto et al.
			2003/0074832 A1	4/2003	Snell

US D617,864 S

Page 3

2003/0084603 A1 5/2003 Lafforthun
2003/0089025 A1 5/2003 Maffo et al.
2003/0126786 A1 7/2003 Emond
2003/0131522 A1 7/2003 Swift et al.
2003/0152604 A1 8/2003 Sutherland et al.
2003/0182846 A1 10/2003 Nelson et al.
2004/0025410 A1 2/2004 Shapland
2004/0181996 A1 9/2004 Johnson et al.
2004/0200133 A1 10/2004 Townsend
2004/0244274 A1 12/2004 Dellevigne et al.
2005/0102887 A1 5/2005 Lang et al.
2005/0198892 A1 9/2005 Lin
2006/0042153 A1 3/2006 Bowerman
2006/0053682 A1 3/2006 Goldstein
2006/0156615 A1 7/2006 Hale
2006/0156617 A1 7/2006 Hale
2006/0254122 A1 11/2006 Murchison
2006/0272197 A1 12/2006 Wiesener et al.
2007/0017148 A1 1/2007 Blau
2007/0289200 A1 12/2007 Danielsson
2008/0072475 A1 3/2008 Nelson et al.
2008/0184613 A1 8/2008 Finnigan
2010/0050498 A1 3/2010 Nelson et al.

FOREIGN PATENT DOCUMENTS

WO 03009683 A1 2/2003
WO 03045138 A1 6/2003
WO 2004098281 A1 11/2004
WO 2005006857 A2 1/2005

WO 2007026123 A1 3/2007
WO 2008035304 A3 3/2008

OTHER PUBLICATIONS

<http://www.instawares.com/rat-bait-station.rii-jt904.0.7.htm> printed Sep. 11, 2008, 3 pages.
<http://doyourownpestcontrol.com/baitrod.htm>, printed Sep. 11, 2008, 13 pages.
<http://www.doyourownpestcontrol.com/SPEC/pick-protectalp.htm>, printed Sep. 11, 2008, 9 pages.
<http://www.pestcontrol-products.com/rodent/index.html>, printed Sep. 11, 2008, 15 pages.
<http://www.domyownpestcontrol.com/protecta-lp-rat-bait-station-case-stations-p-128.html>, printed Sep. 11, 2008, 3 pages.
<http://www.ecolab.com/businesses/pest/CheckPointRodent.asp?nav=home>, printed Sep. 11, 2008, 2 pages.
<http://www.domyownpestcontrol.com/ez-klean-rodent-bait-station-case-stations-p-324.htm>, printed Sep. 11, 2008, 3 pages.
http://www.ecolab.com/businesses/pestlimages/products/bait_lg.jpg, printed Sep. 11, 2008, 1 page.
Mallis, Arnold, The Behavior, Life History, and Control of Household Pests, Handbook of Pest Control, 2004, 3 pages, Ninth edition, GIE Media, Inc.
<http://www.wisconsinhistory.org/whi/feature/skyhigh/fullRecord.asp?id=32357&qstring=h>, printed Sep. 30, 2009, 1 page.
JT Eaton Products Catalog, 4 pages, J.T. Eaton & Co., Inc., Twinsburg, OH.

* cited by examiner

FIG. 1

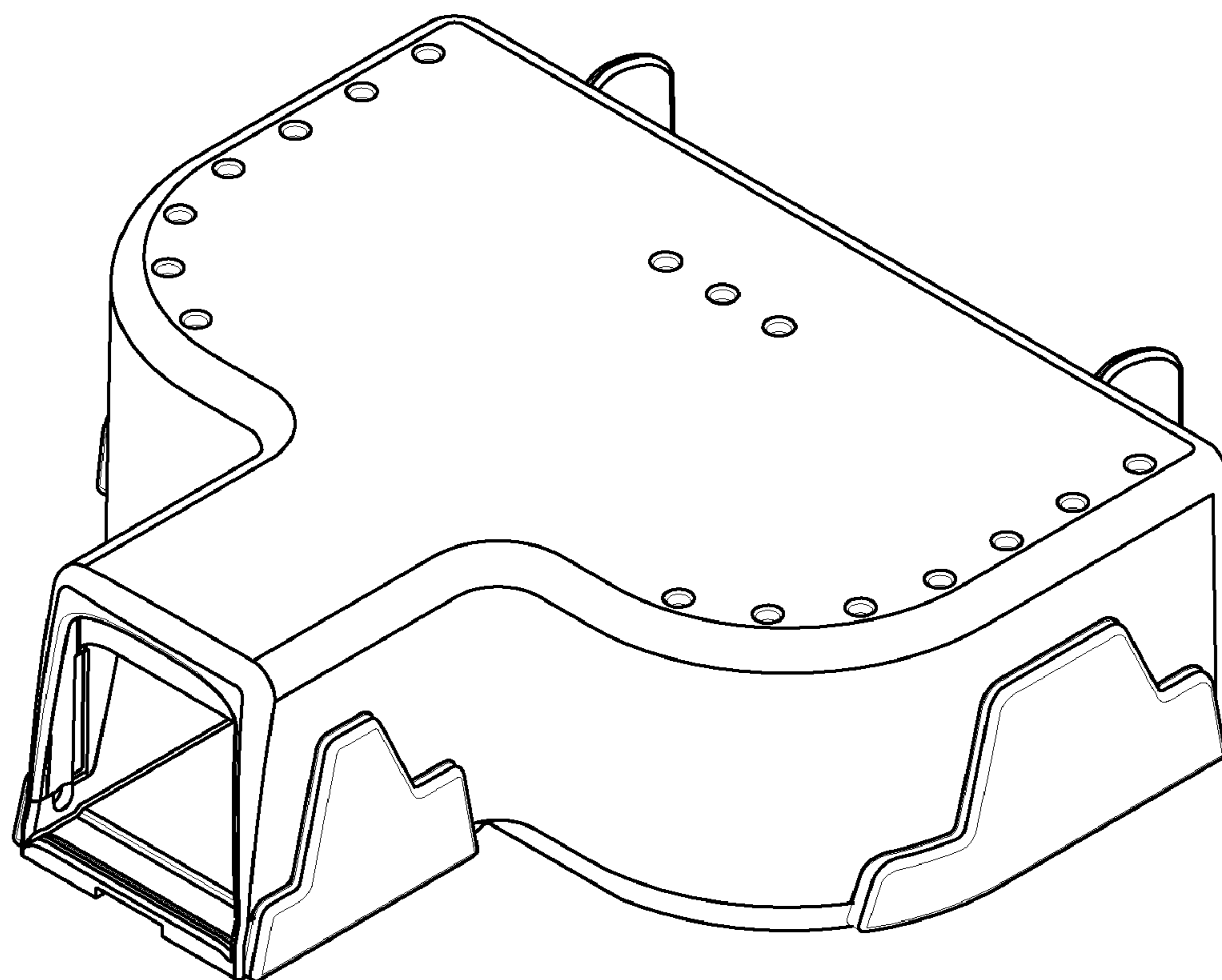


FIG. 2

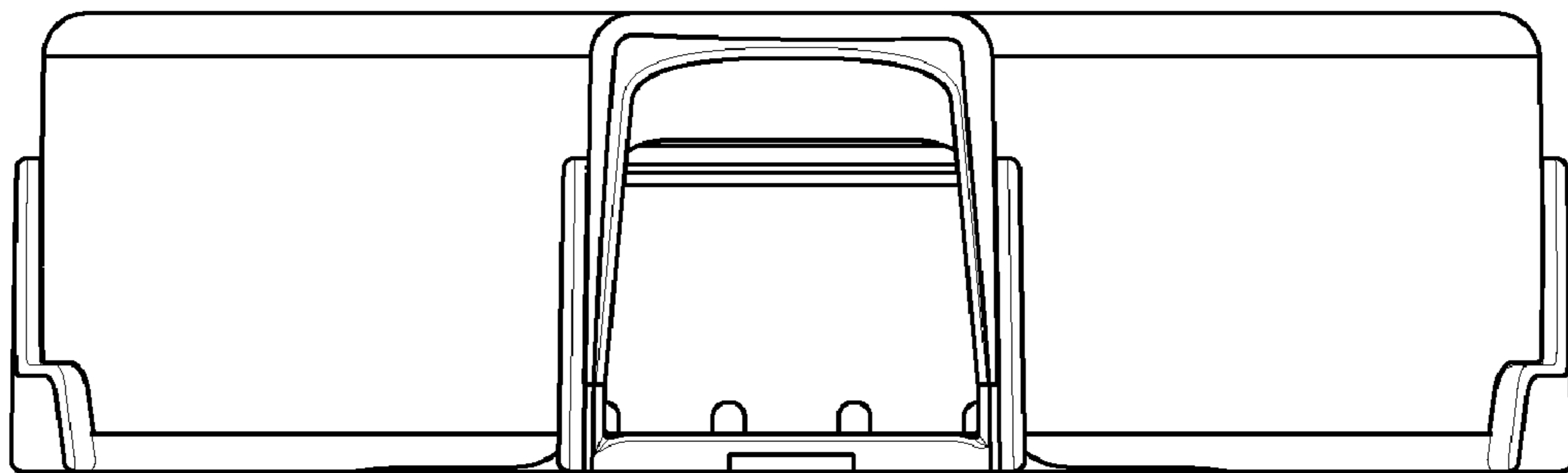


FIG. 3

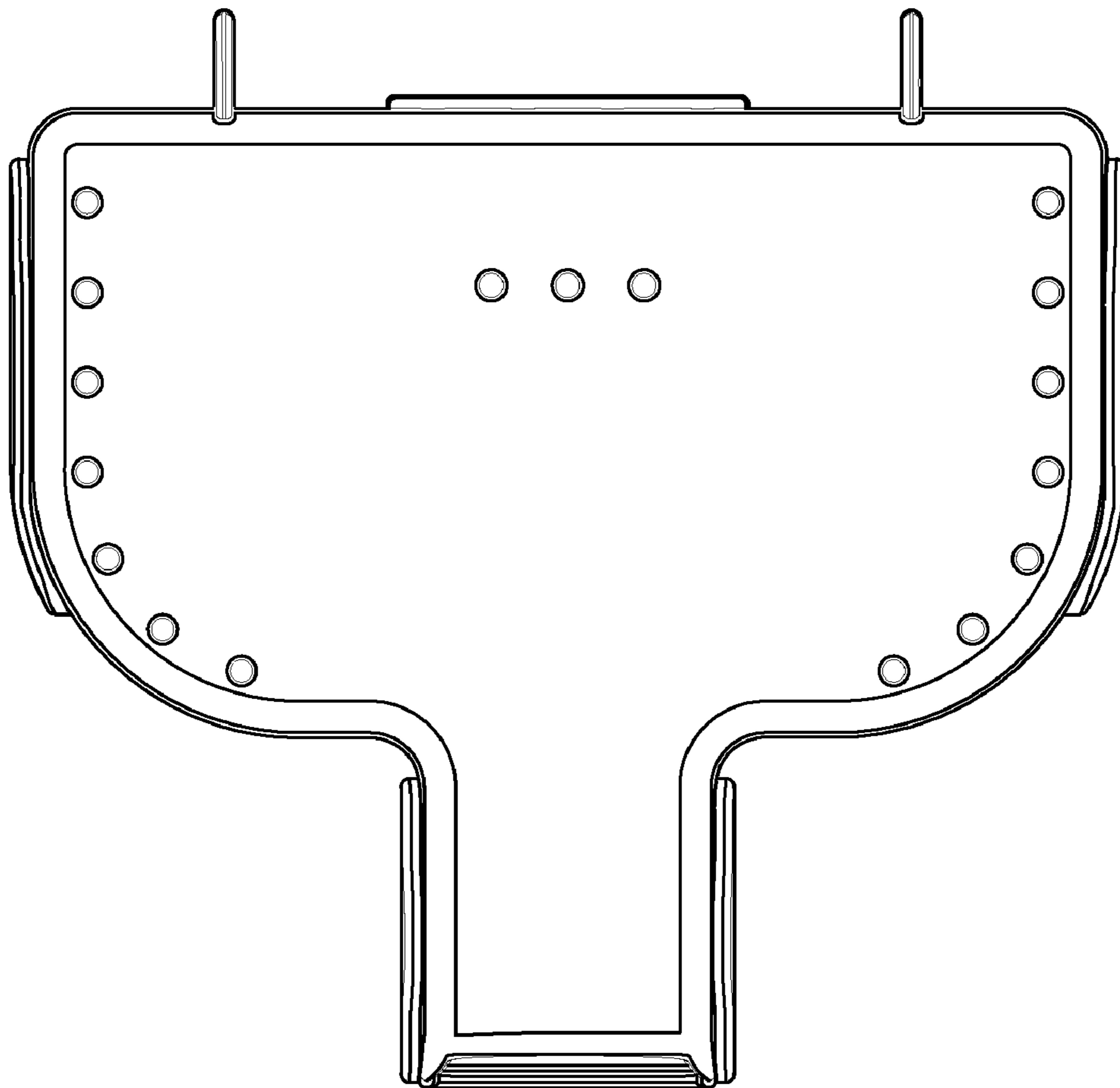


FIG. 4

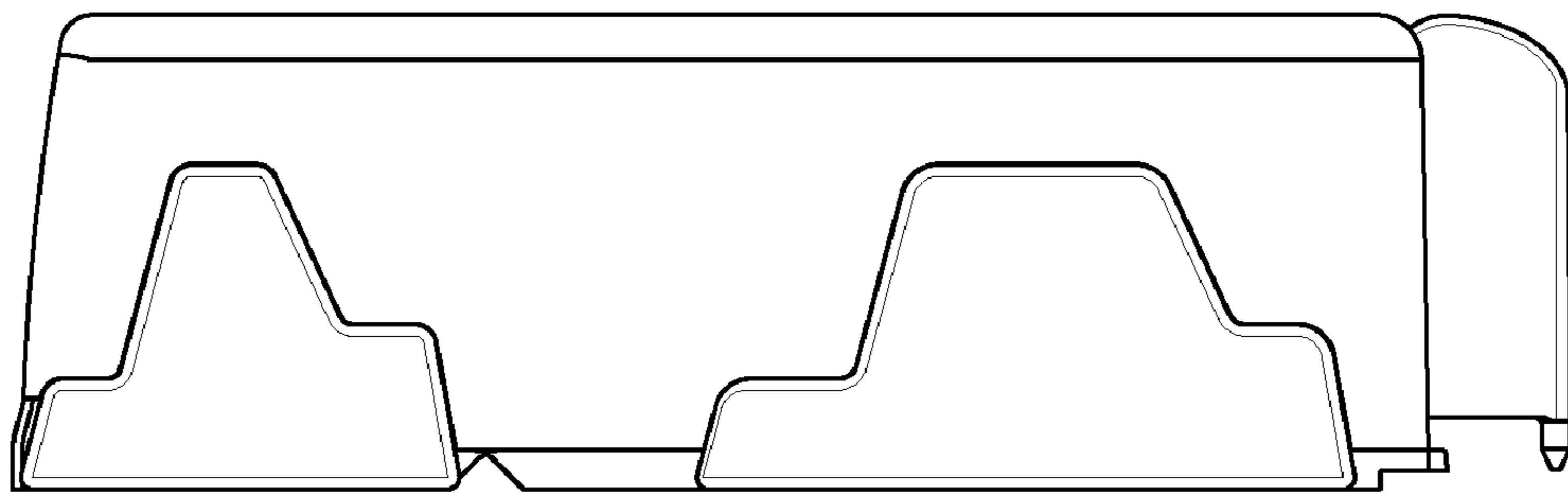


FIG. 5

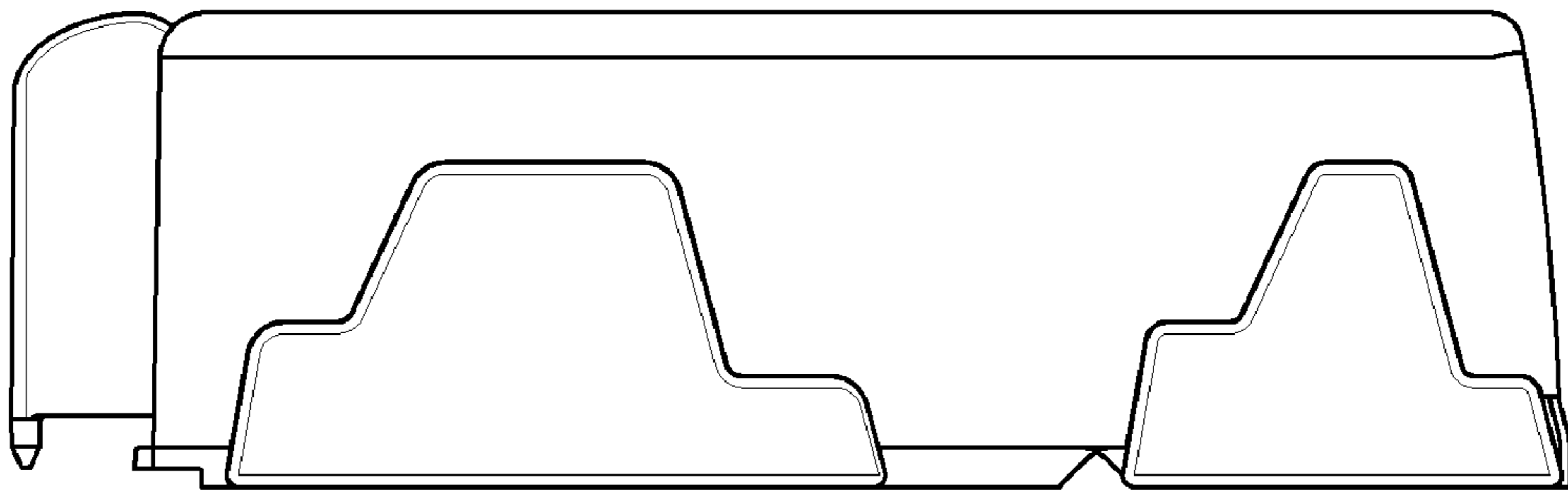


FIG. 6

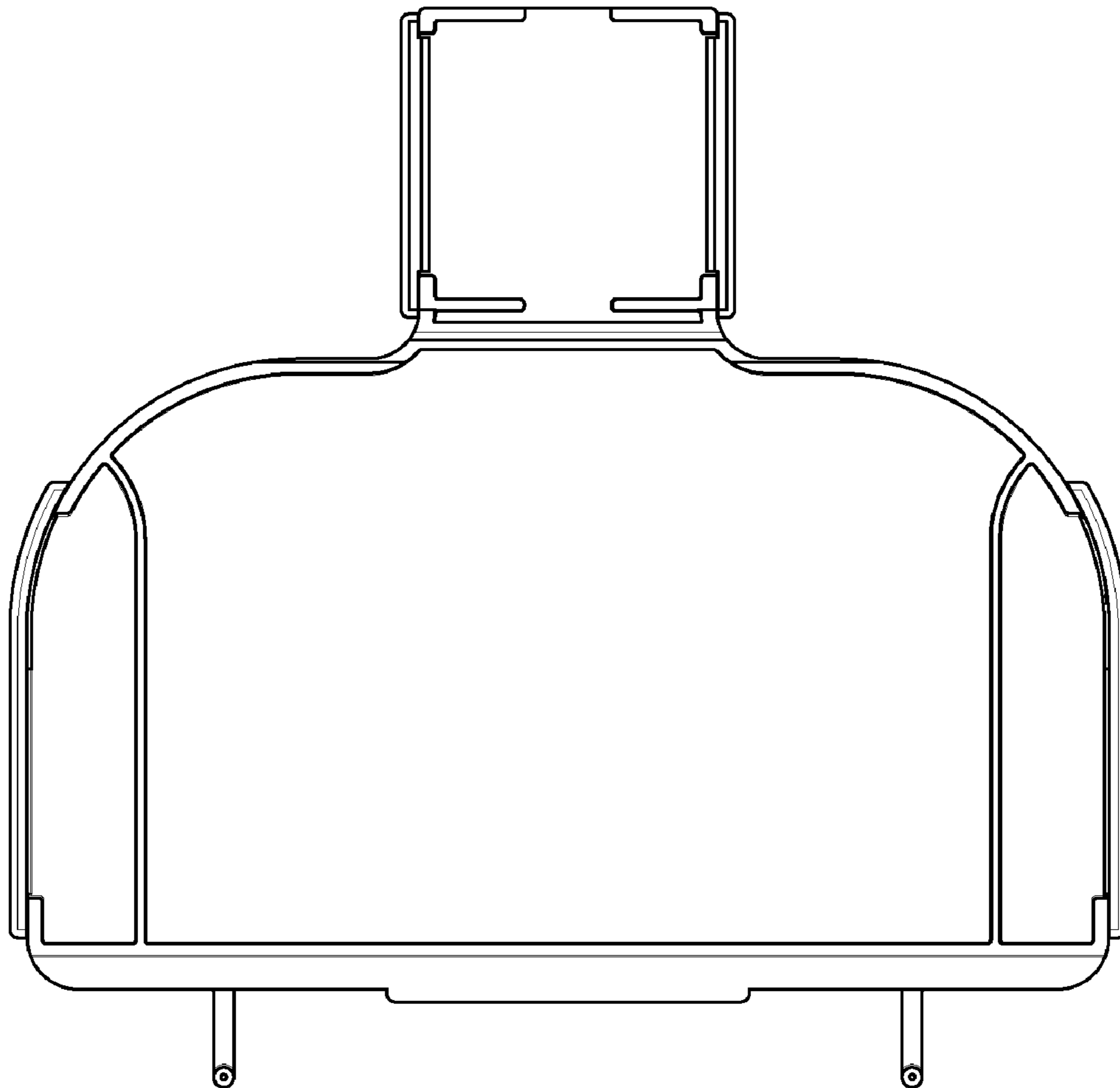


FIG. 7

