



US00D617861S

(12) **United States Design Patent**  
**Miki**

(10) **Patent No.:** **US D617,861 S**  
(45) **Date of Patent:** **\*\* Jun. 15, 2010**

(54) **EXTENDABLE BUTT EXTENSION FOR A POOL CUE**

(75) Inventor: **Kazunori Miki**, Tomioka (JP)

(73) Assignee: **Kabushiki Kaisha Miki**, Gunma-ken (JP)

(\*\*) Term: **14 Years**

(21) Appl. No.: **29/311,819**

(22) Filed: **Jul. 1, 2009**

(51) **LOC (9) Cl.** ..... **21-02**

(52) **U.S. Cl.** ..... **D21/753**

(58) **Field of Classification Search** ..... D21/726,  
D21/753; 473/44-51

See application file for complete search history.

(56) **References Cited**

**U.S. PATENT DOCUMENTS**

- D323,013 S \* 1/1992 Golden ..... D21/726
- 5,407,197 A \* 4/1995 Parsons ..... 463/47.7
- D444,519 S \* 7/2001 Bourque ..... D21/726
- 6,712,712 B2 \* 3/2004 Bourque ..... 473/46

D537,133 S \* 2/2007 Chan ..... D21/726  
2002/0022529 A1 \* 2/2002 Bourque ..... 473/46

\* cited by examiner

*Primary Examiner*—Mitchell I Siegel

(74) *Attorney, Agent, or Firm*—Rabin & Berdo, PC

(57) **CLAIM**

The ornamental design for extendable butt extension for a pool cue, as shown and described.

**DESCRIPTION**

FIG. 1 is a perspective view of my extendable butt extension for a pool cue;

FIG. 2 is an exploded perspective view thereof;

FIG. 3 is an enlarged end view of FIG. 1;

FIG. 4 is a right side view of FIG. 3, the top plan, bottom plan and left side are identical;

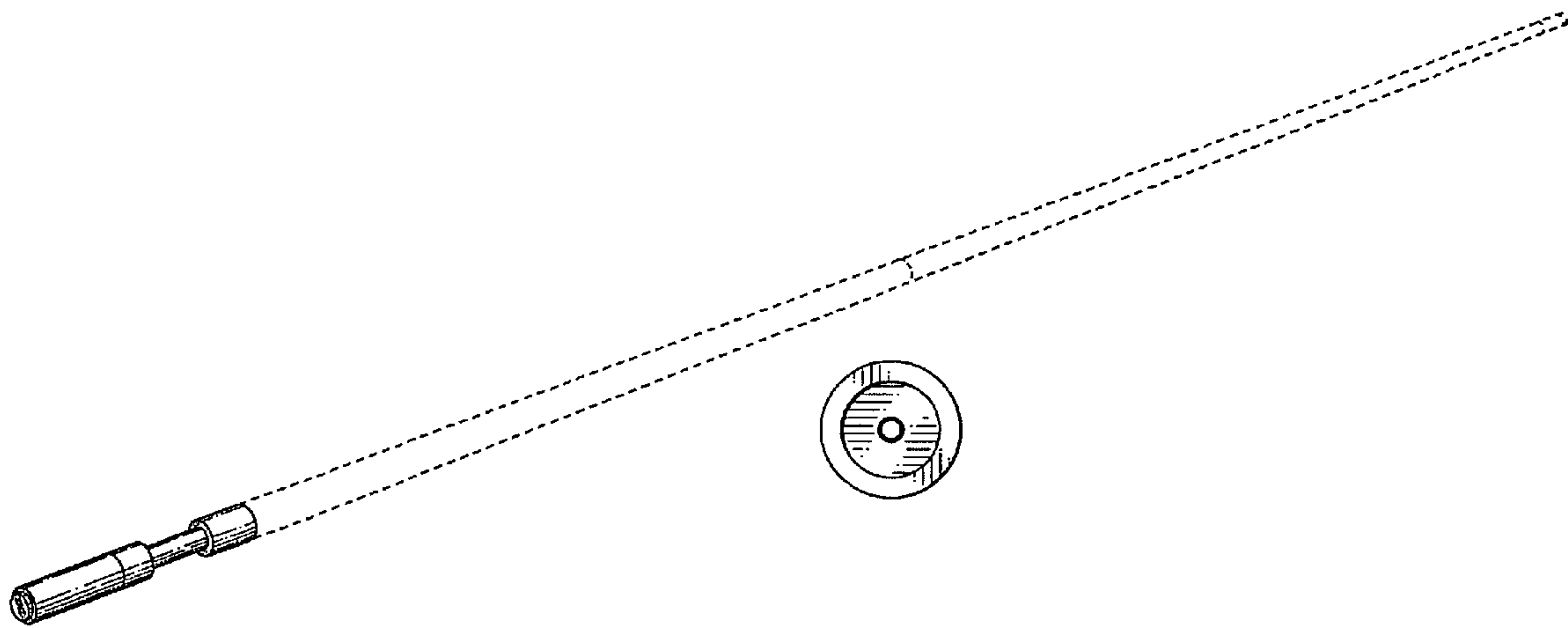
FIG. 5 is an end view taken from the opposite end of FIG. 3;

FIG. 6 is a front perspective view; and,

FIG. 7 is a rear perspective view.

The broken line showing of a pool cue in FIGS. 1 and 2 is included for the purpose of illustrating and forms no part of the claimed design.

**1 Claim, 2 Drawing Sheets**



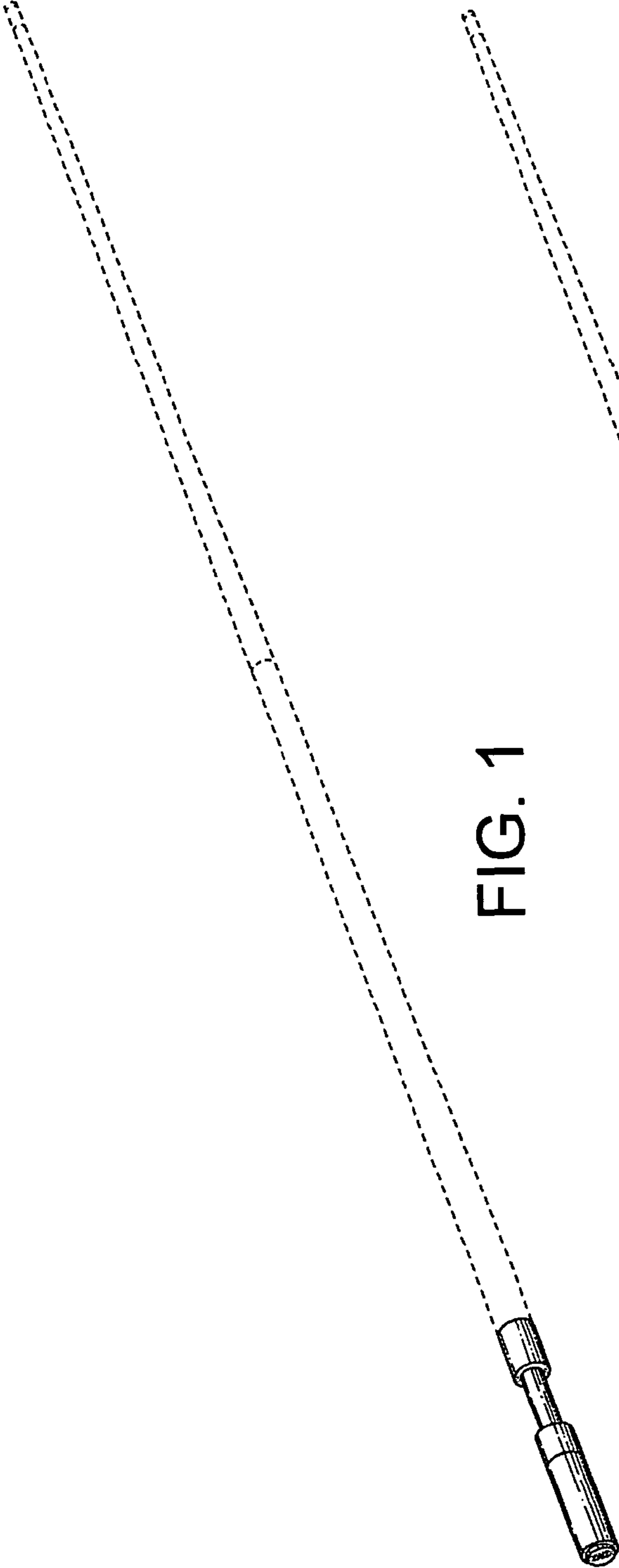


FIG. 1

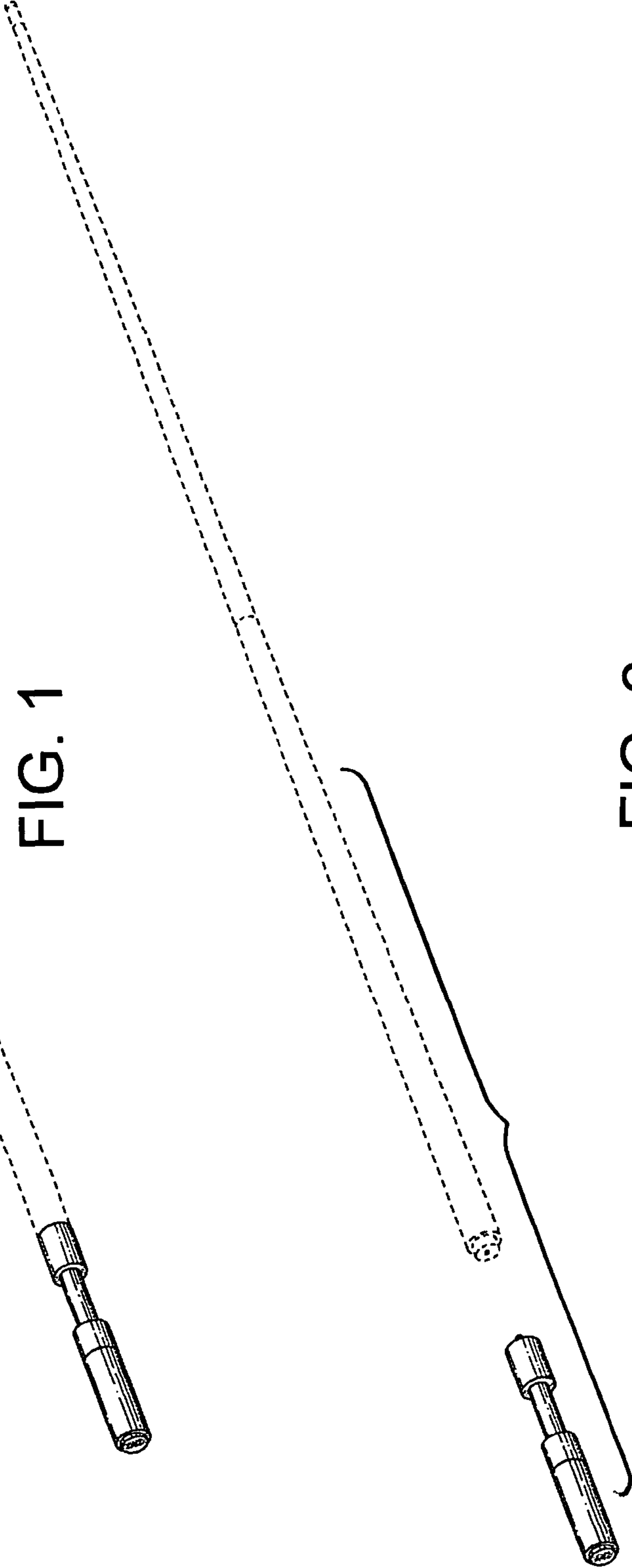


FIG. 2

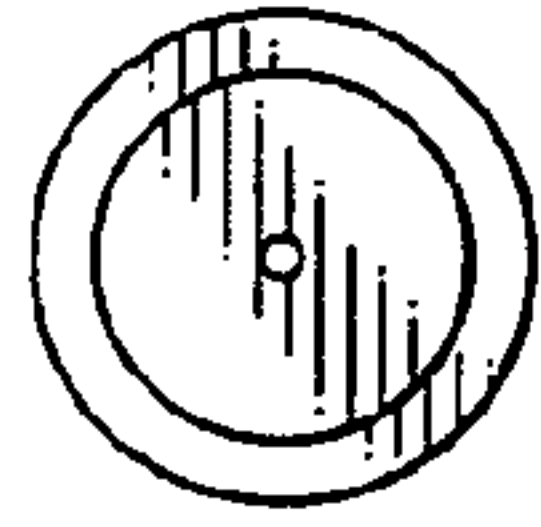


FIG. 3

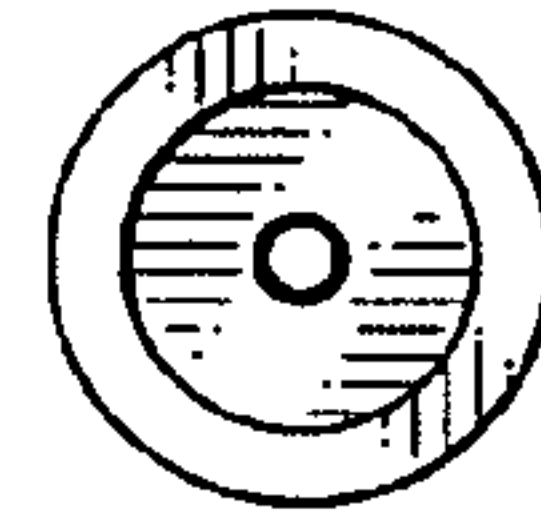


FIG. 5

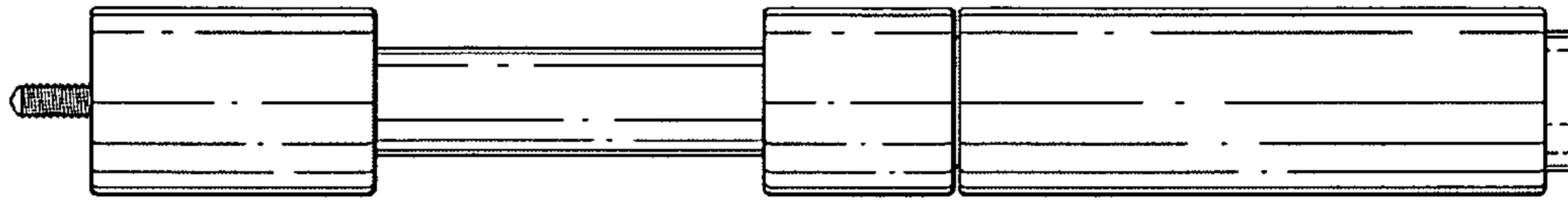


FIG. 4

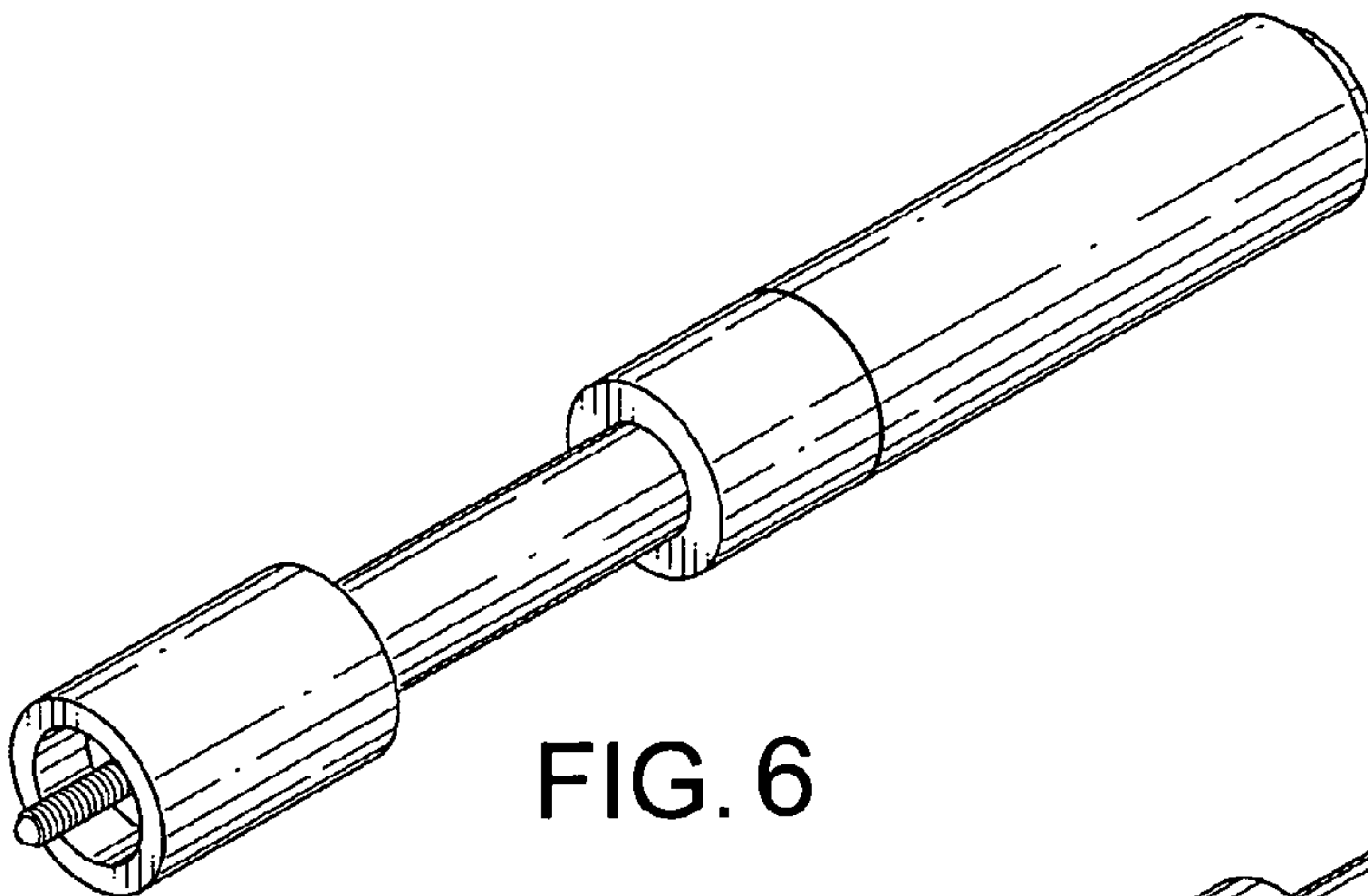


FIG. 6

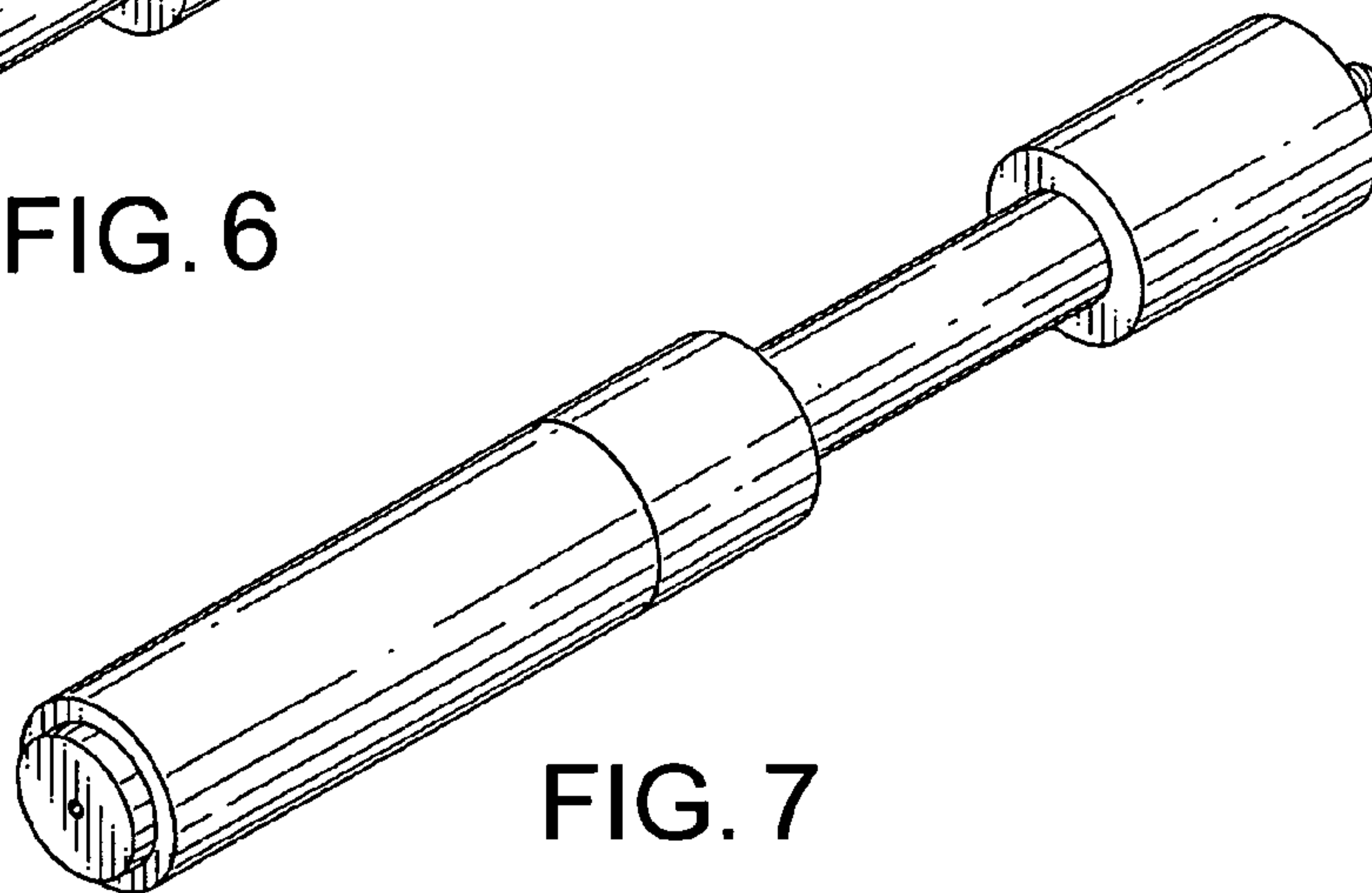


FIG. 7