



US00D617856S

(12) **United States Design Patent**
Brinser

(10) **Patent No.:** **US D617,856 S**
(45) **Date of Patent:** **** Jun. 15, 2010**

(54) **EXERCISE DEVICE HAVING MULTIPLE ELASTIC LOOPS**

(76) **Inventor:** **Richard T. Brinser**, 955 Rocky Ford Rd., Powhatan, VA (US) 23139

(**) **Term:** **14 Years**

(21) **Appl. No.:** **29/314,864**

(22) **Filed:** **May 7, 2009**

(51) **LOC (9) Cl.** **21-02**

(52) **U.S. Cl.** **D21/692; D21/662**

(58) **Field of Classification Search** D21/662,
D21/684, 679–681, 691–692, 694; 482/44,
482/45, 46, 114, 115, 122, 124, 126, 139,
482/140, 148

See application file for complete search history.

(56) **References Cited**

U.S. PATENT DOCUMENTS

2,590,951	A *	4/1952	Farison	482/126
4,121,825	A *	10/1978	Hult	482/140
D263,613	S *	3/1982	Henry	D21/692
D270,262	S *	8/1983	Rembe	D21/692
D277,497	S *	2/1985	Johnson	D21/691
D280,840	S *	10/1985	Dzitzer	D21/679
4,609,191	A *	9/1986	Remme	482/122
5,090,691	A *	2/1992	Pollock	482/139
5,514,058	A *	5/1996	Buoni et al.	482/124

D383,810	S *	9/1997	Wilkinson	D21/662
D398,677	S *	9/1998	Kysilka	D21/684
5,897,471	A *	4/1999	Multanen et al.	482/44
7,163,496	B1 *	1/2007	Trotter	482/126

* cited by examiner

Primary Examiner—Philip S Hyder

Assistant Examiner—Susan E Krakower

(74) *Attorney, Agent, or Firm*—Norman B. Rainer

(57) **CLAIM**

The ornamental design for an exercise device having multiple elastic loops, as shown and described.

DESCRIPTION

FIG. 1 is a front and side perspective view of an exercise device having multiple elastic loops, showing an embodiment of my new design having three loops;

FIG. 2 is a side view thereof;

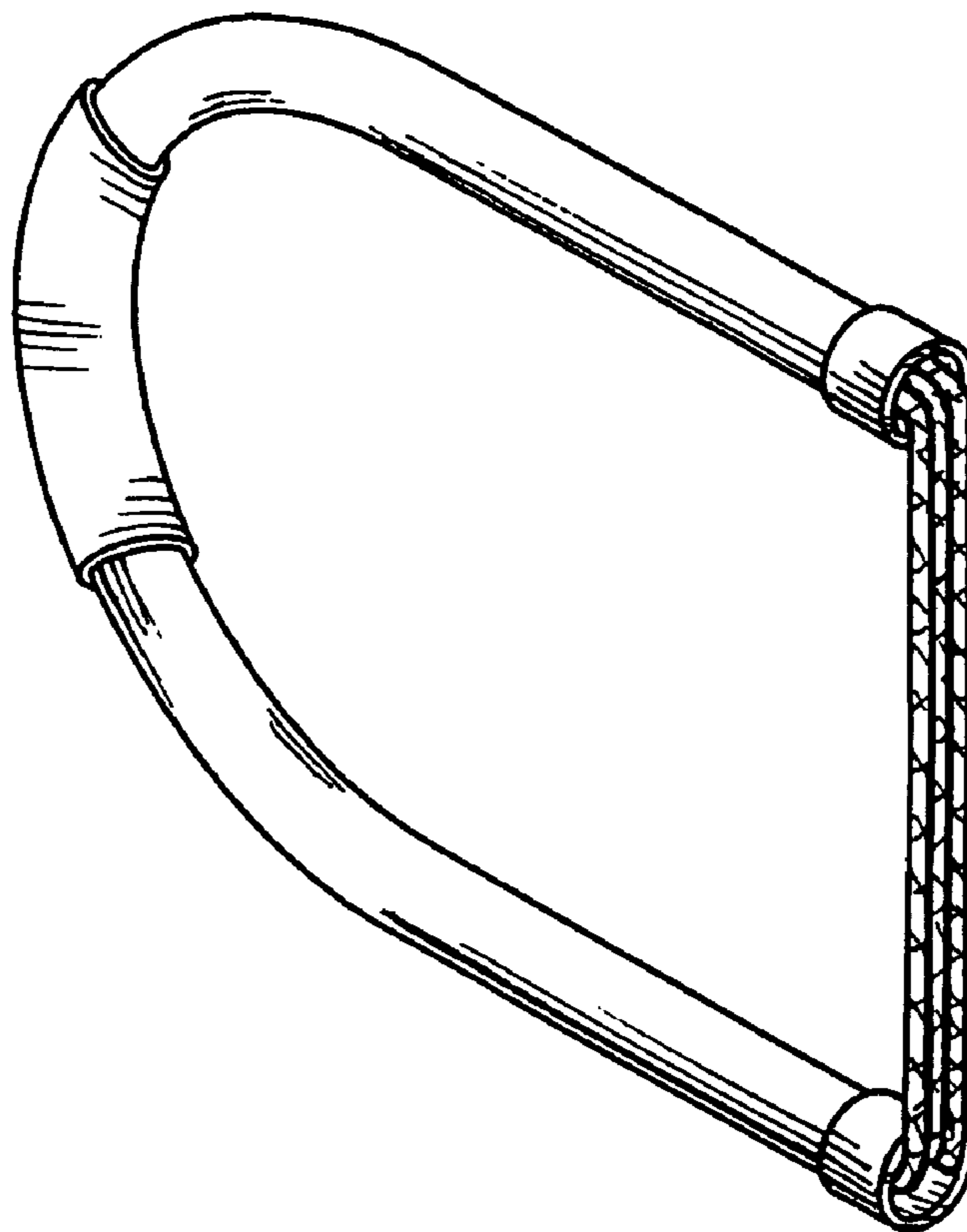
FIG. 3 is a sectional view thereof, taken in the direction of the arrows upon line 3—3 of FIG. 2;

FIG. 4 is a top view thereof;

FIG. 5 is a side view of an alternative, equivalent embodiment thereof having four loops; and,

FIG. 6 is a sectional view of said alternative embodiment taken in the direction of the arrows upon the line 6—6 of FIG. 5.

1 Claim, 2 Drawing Sheets



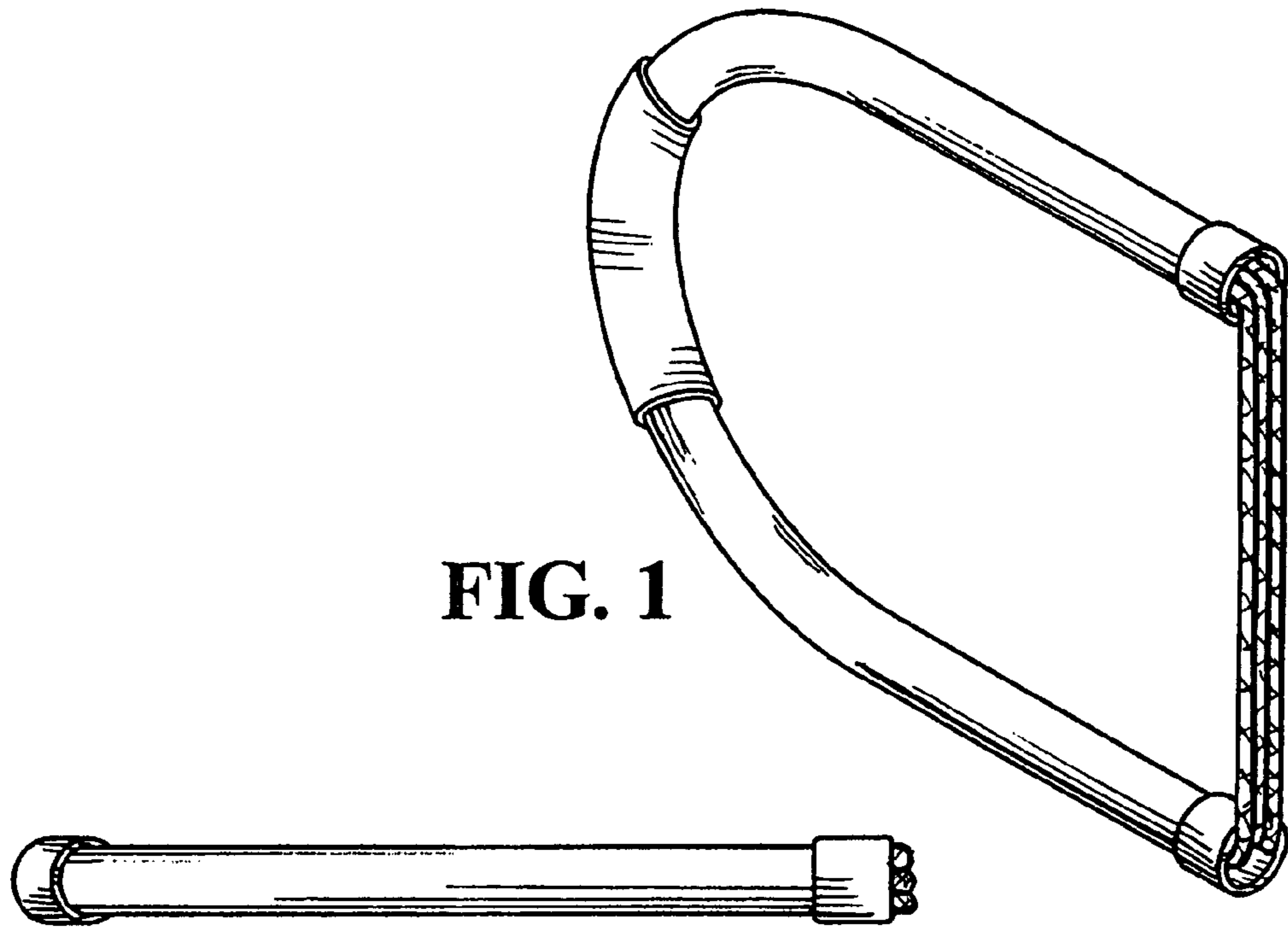


FIG. 1

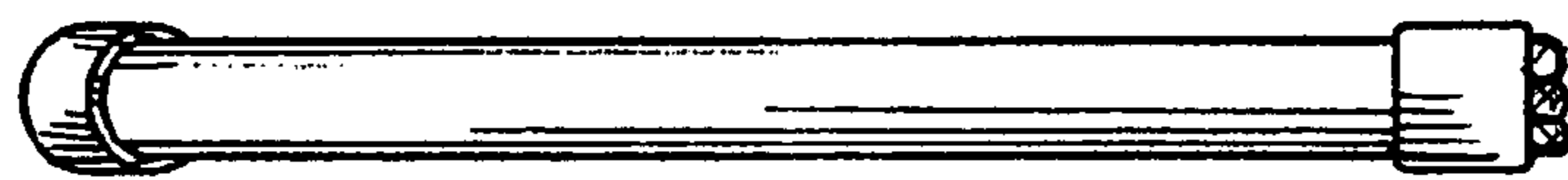


FIG. 4

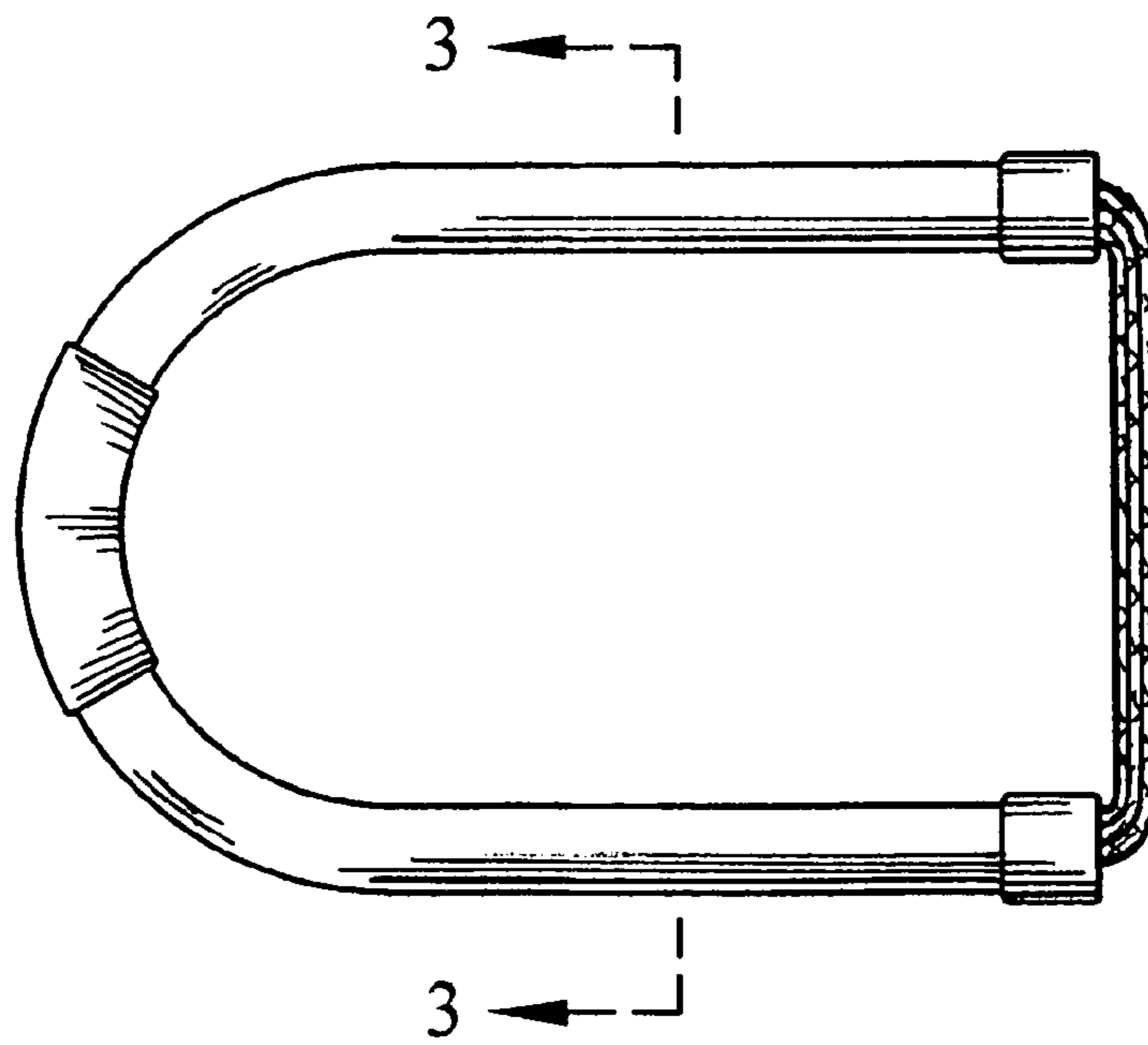


FIG. 2



FIG. 3

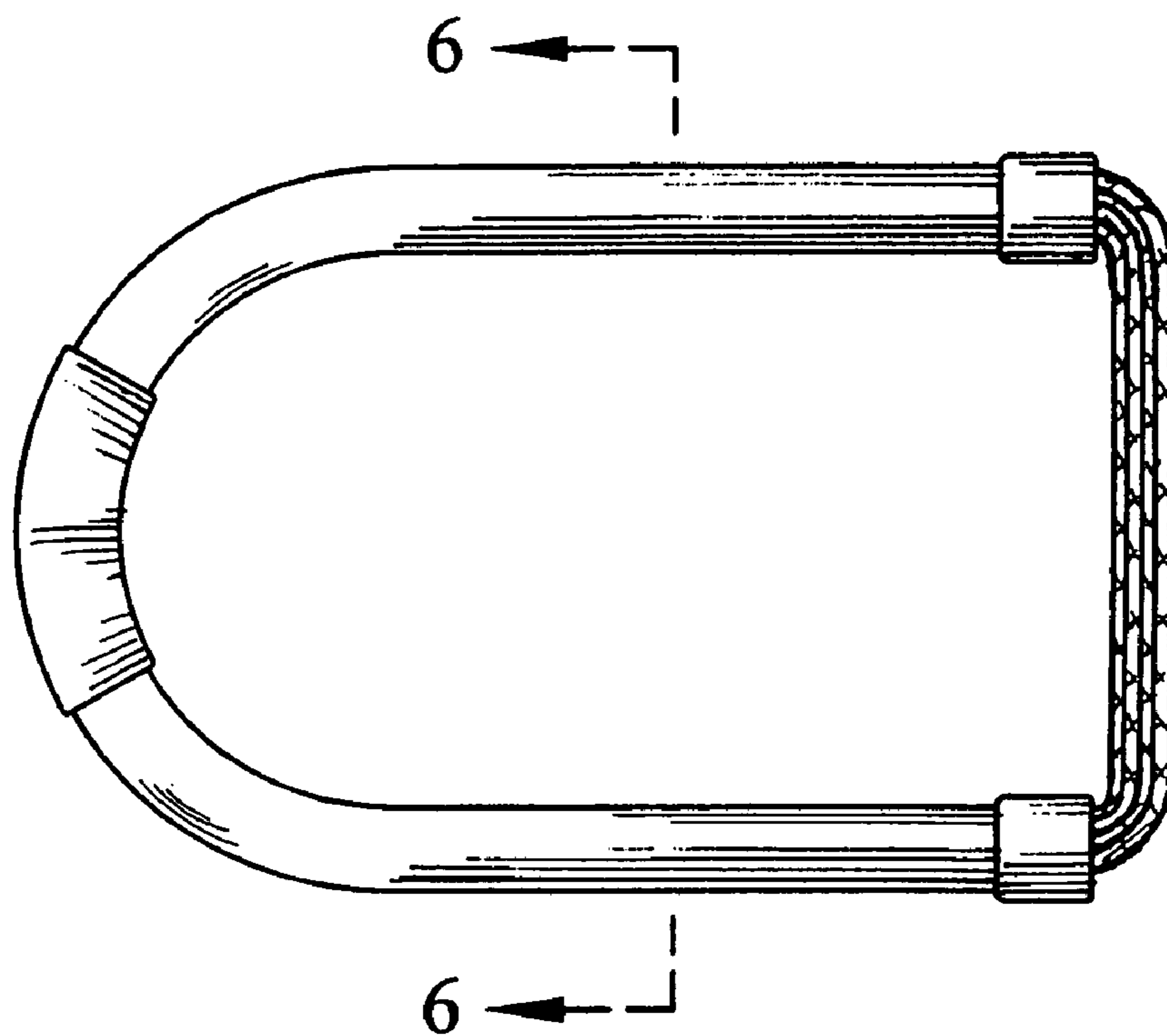


FIG. 5



FIG. 6