



US00D617855S

(12) **United States Design Patent**  
**Leier**

(10) **Patent No.:** **US D617,855 S**  
(45) **Date of Patent:** **\*\* Jun. 15, 2010**

(54) **SUPPORTING STAND FOR TILTING  
INVERSION EXERCISER**

(76) **Inventor:** **Christopher Henry Leier**, 9902 162nd  
St. CT. E., Puyallup, WA (US) 98375

(\*\*) **Term:** **14 Years**

(21) **Appl. No.:** **29/314,970**

(22) **Filed:** **May 14, 2009**

(51) **LOC (9) Cl.** ..... **21-02**

(52) **U.S. Cl.** ..... **D21/691; D21/686; D21/694**

(58) **Field of Classification Search** ..... D21/662,  
D21/673, 675-676, 686, 690-691, 694; D6/552;  
606/241-244; 482/93-95, 98-101, 104,  
482/140, 142-145

See application file for complete search history.

(56) **References Cited**

**U.S. PATENT DOCUMENTS**

4,292,962	A *	10/1981	Krause	.....	606/244
4,503,845	A *	3/1985	Licciardi	.....	606/241
D280,922	S *	10/1985	Sieder	.....	D21/690
4,546,972	A *	10/1985	Goyer	.....	482/144
4,566,693	A *	1/1986	Seidentop et al.	.....	482/144
4,703,929	A *	11/1987	Reed	.....	482/144
5,176,603	A *	1/1993	Hundley et al.	.....	482/140
5,203,755	A *	4/1993	Kaiser	.....	482/144
5,295,936	A *	3/1994	Perry, Jr.	.....	482/144

D376,829	S *	12/1996	Kuo	.....	D21/691
7,160,233	B2 *	1/2007	Perez	.....	482/140
7,442,153	B1 *	10/2008	Chasnov	.....	482/142
D598,965	S *	8/2009	Augustine et al.	.....	D21/673

\* cited by examiner

*Primary Examiner*—Philip S Hyder

*Assistant Examiner*—Susan E Krakower

(74) *Attorney, Agent, or Firm*—Charles E. Baxley

(57) **CLAIM**

The ornamental design for a supporting stand for tilting inversion exerciser, as shown and described.

**DESCRIPTION**

FIG. 1 is a perspective view of a supporting stand for tilting inversion exerciser showing my new design;

FIG. 2 is a front elevational view thereof;

FIG. 3 is a rear elevational view thereof;

FIG. 4 is a top plan view thereof;

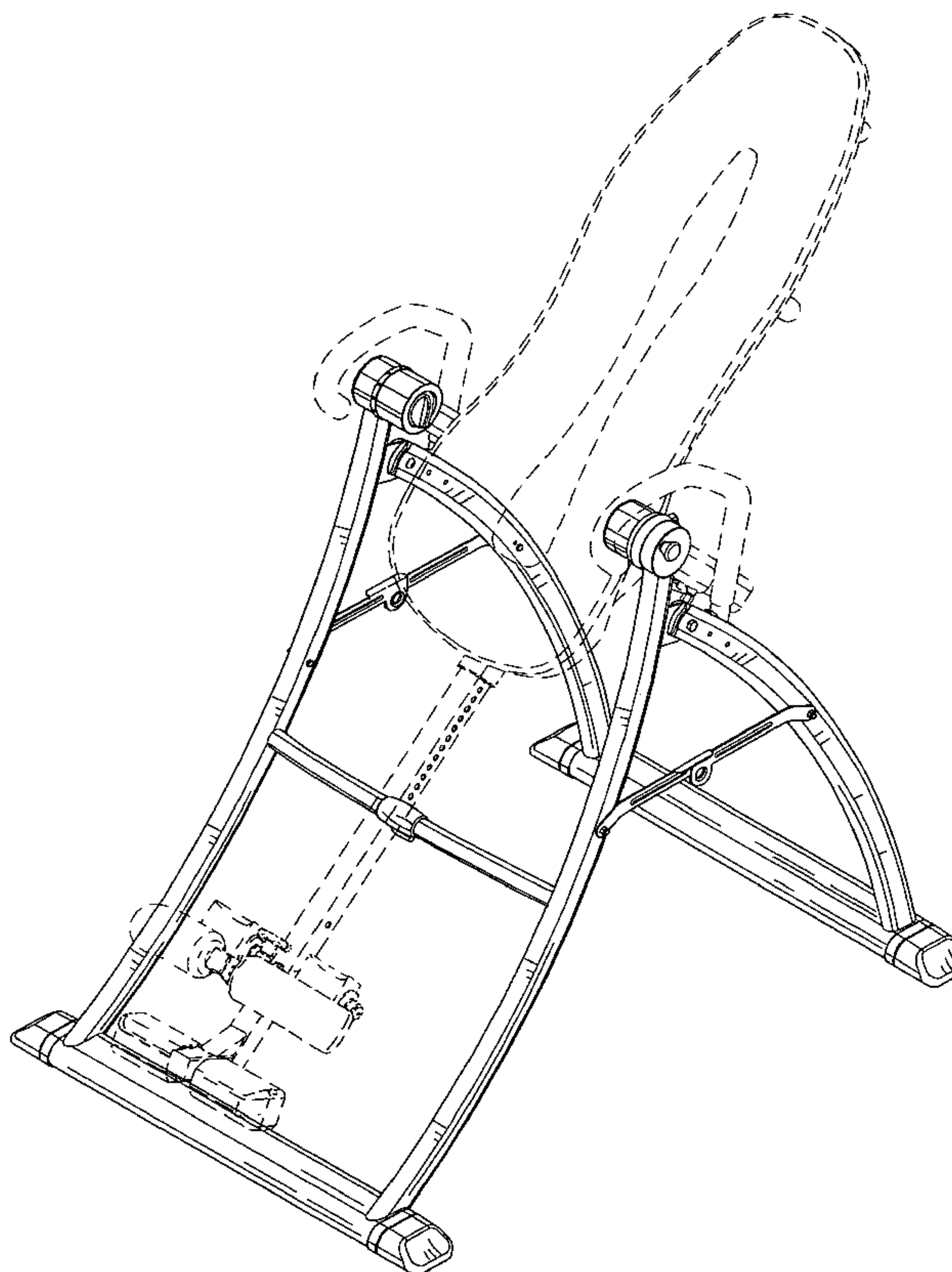
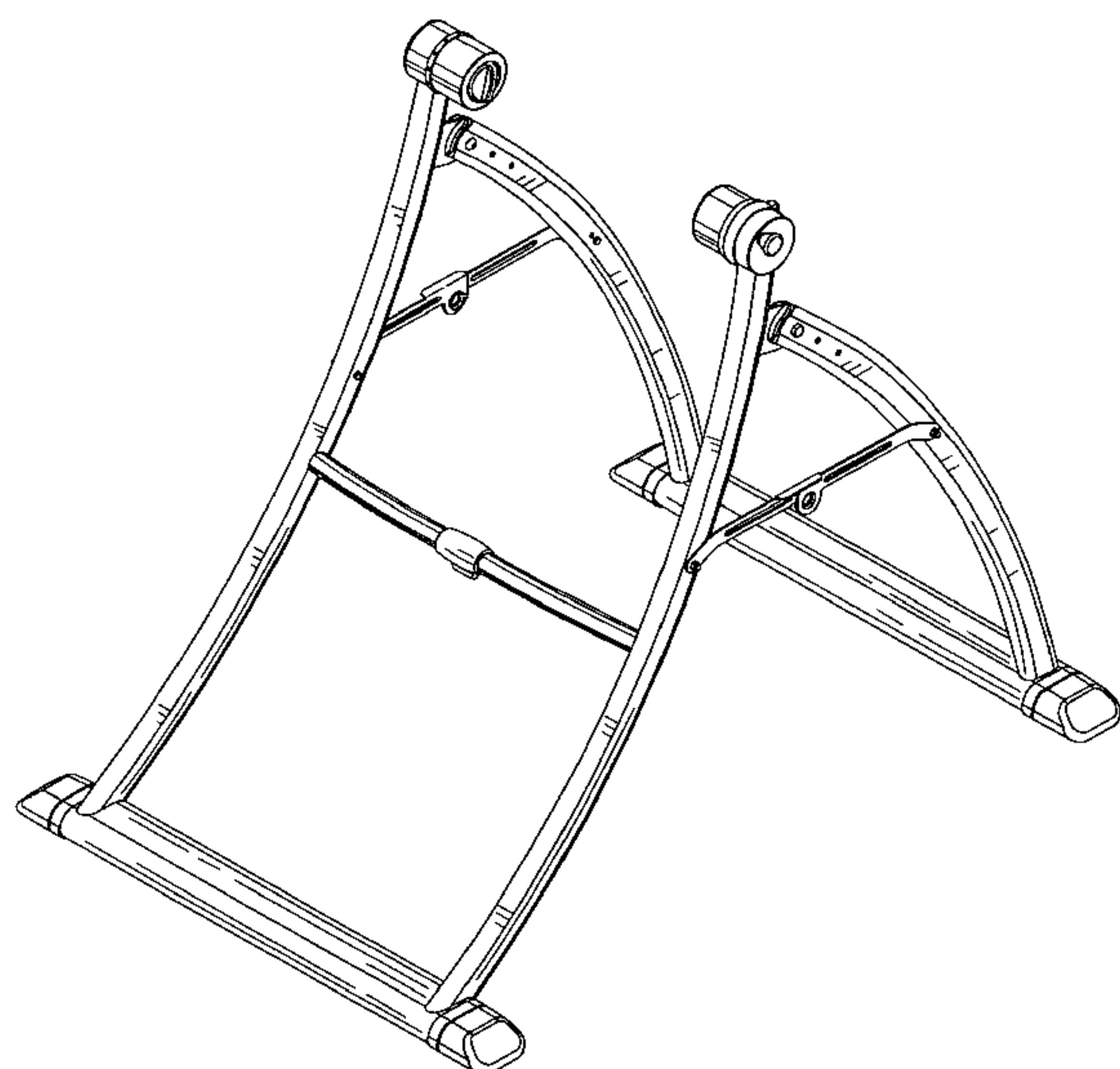
FIG. 5 is a bottom plan view thereof;

FIG. 6 is a left side elevational view thereof;

FIG. 7 is a right side elevational view thereof; and,

FIG. 8 is a perspective view thereof; the user supporting table depicted by means of broken lines represents environmental structure and forms no part of the claimed design.

**1 Claim, 8 Drawing Sheets**



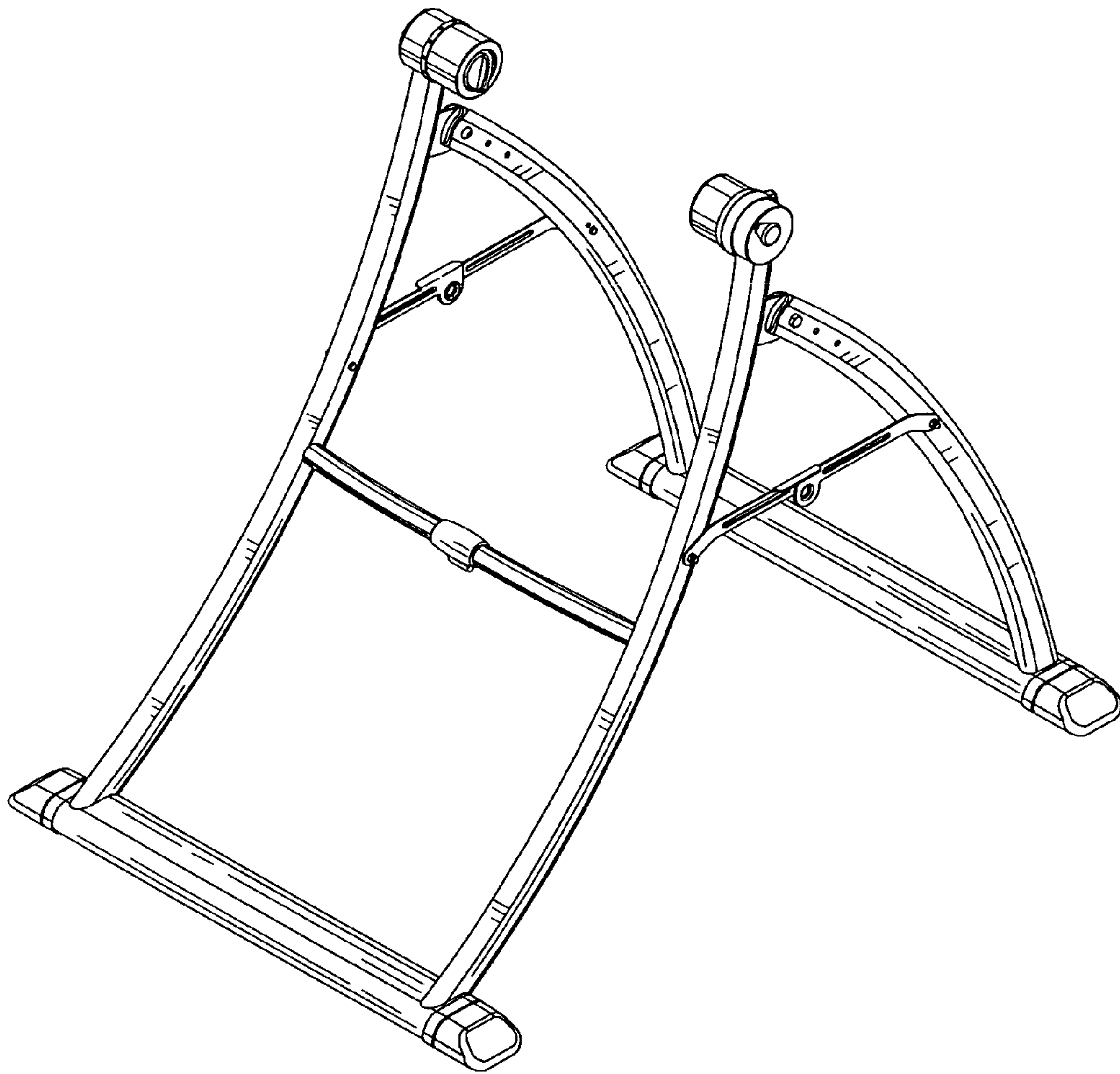


FIG. 1

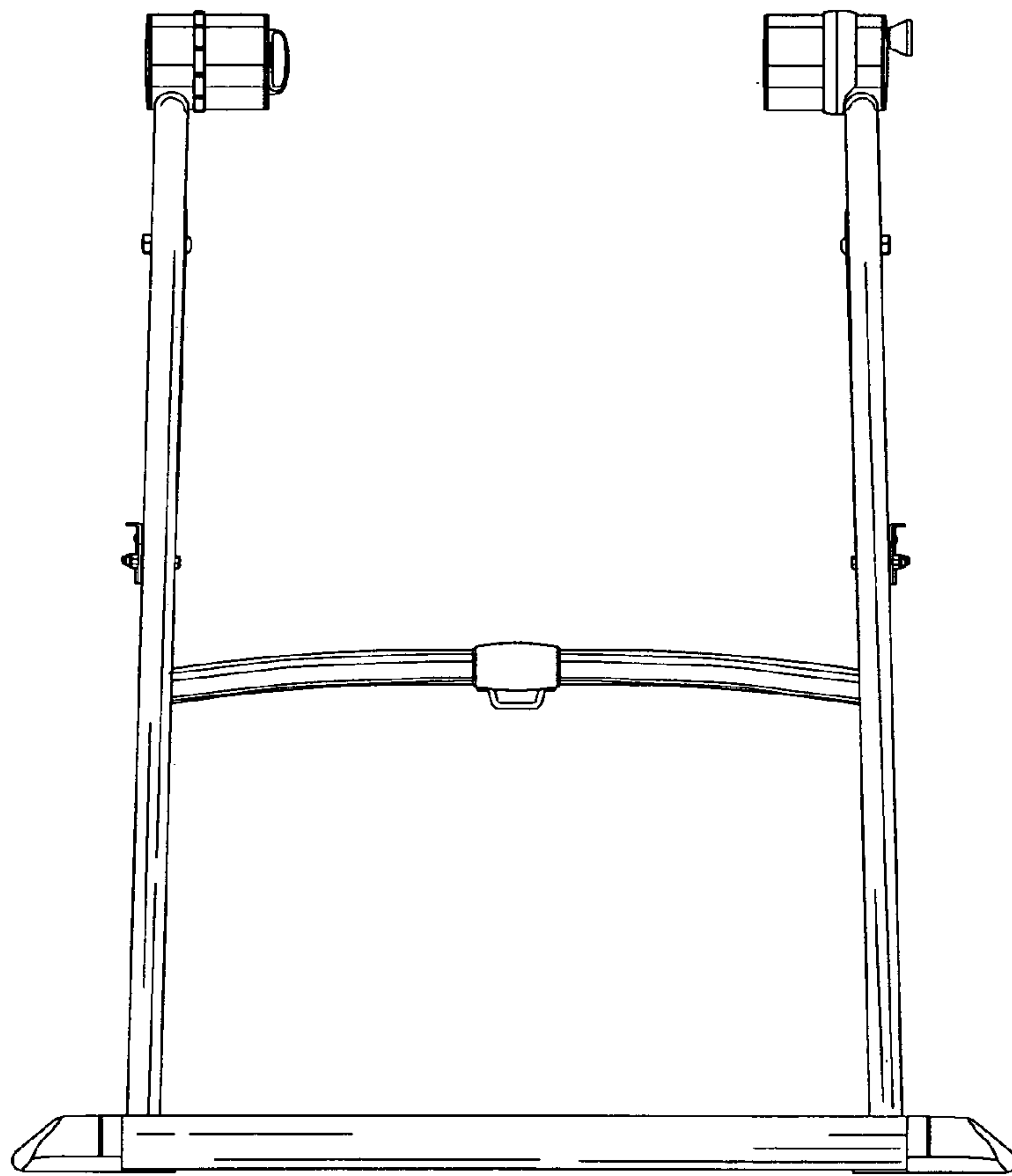


FIG. 2

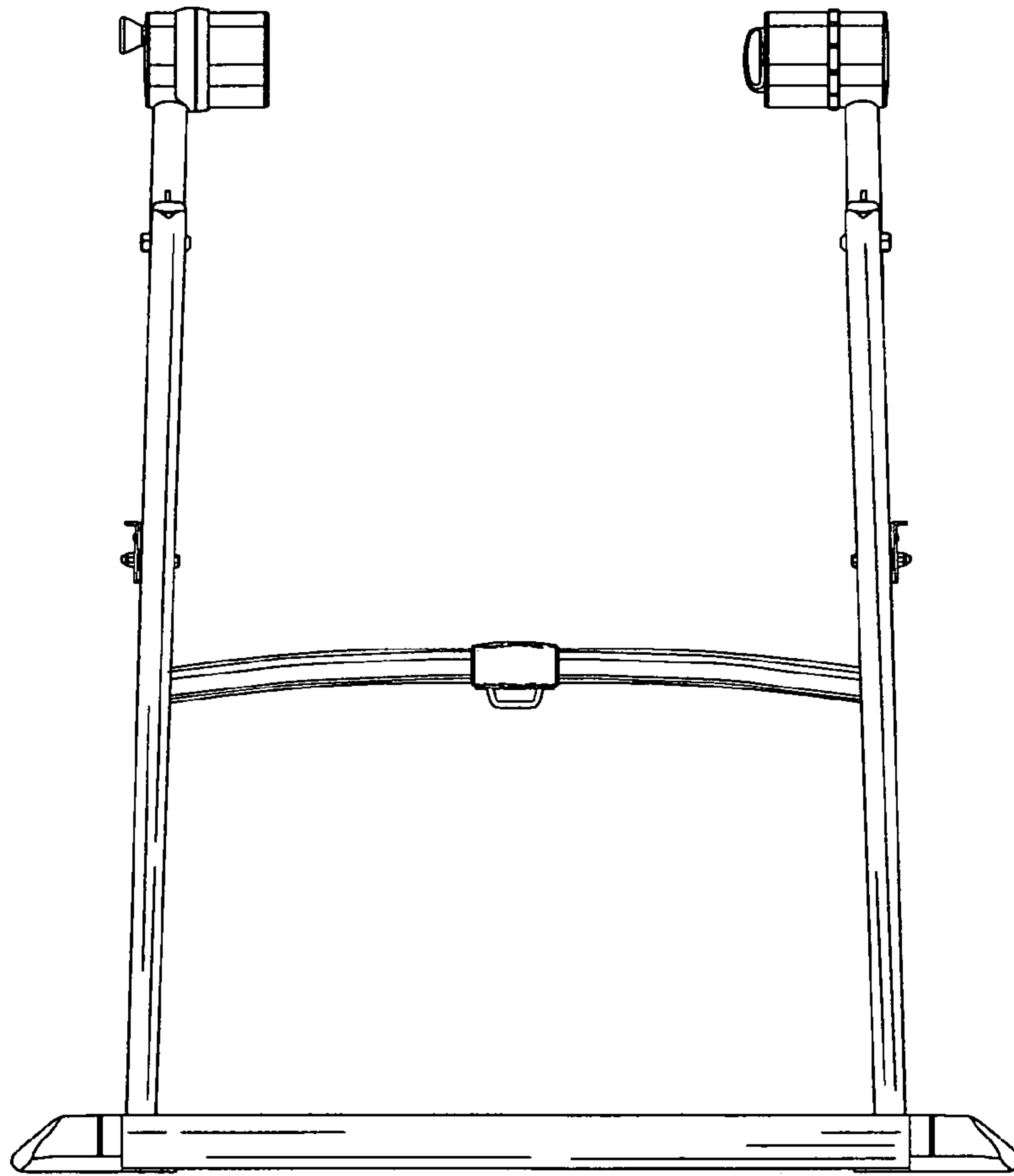


FIG. 3

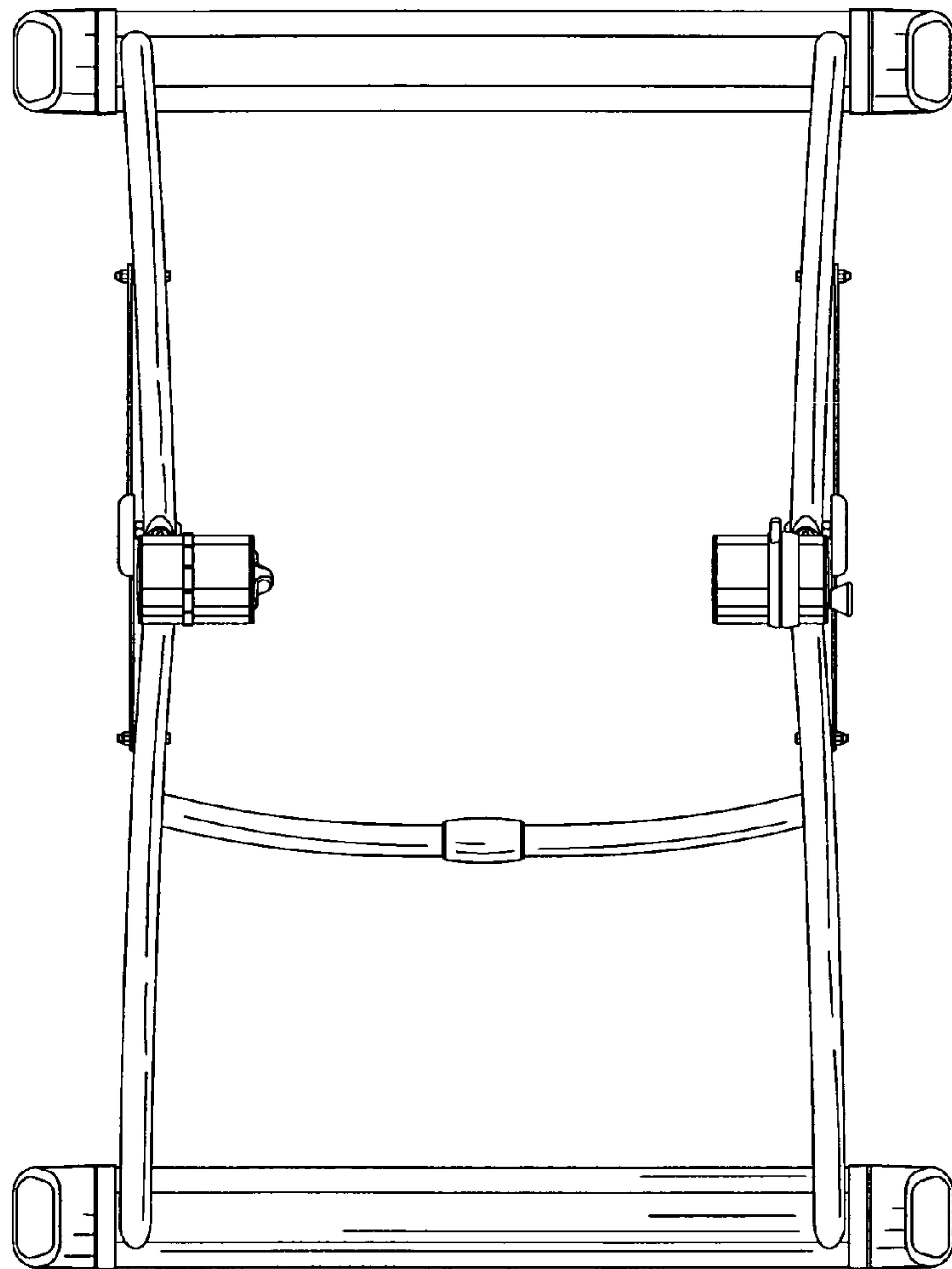


FIG. 4

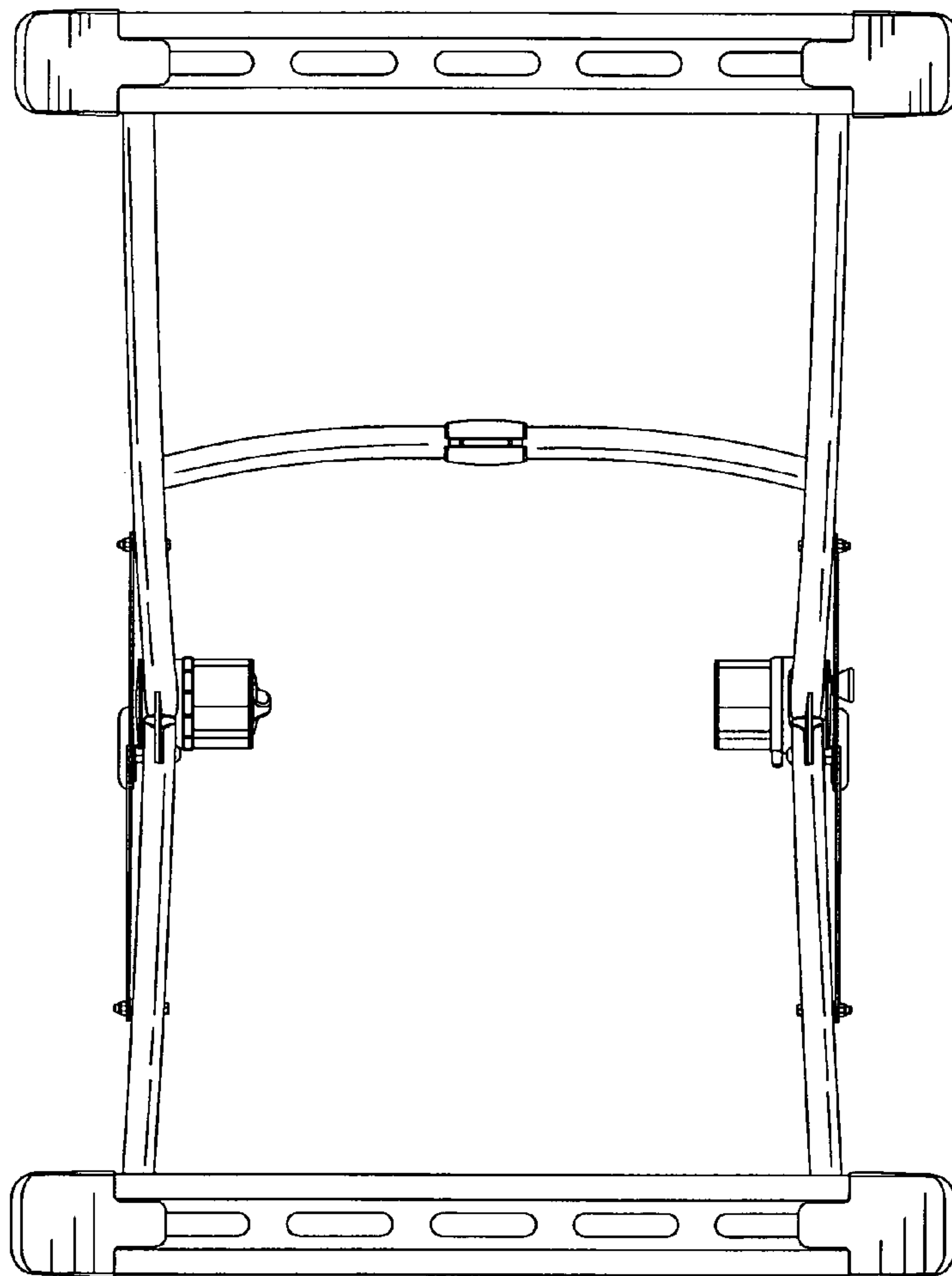


FIG. 5



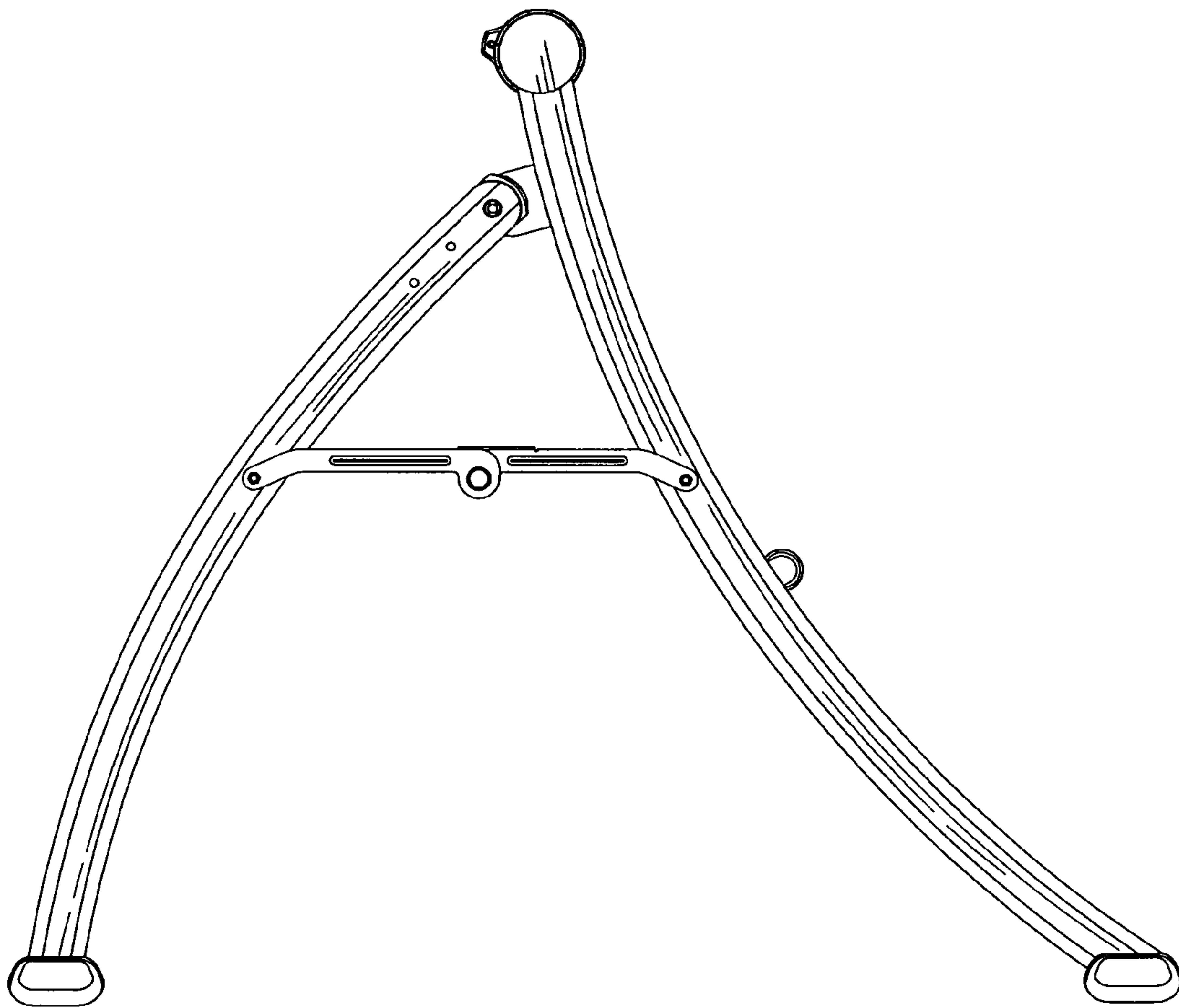


FIG. 6

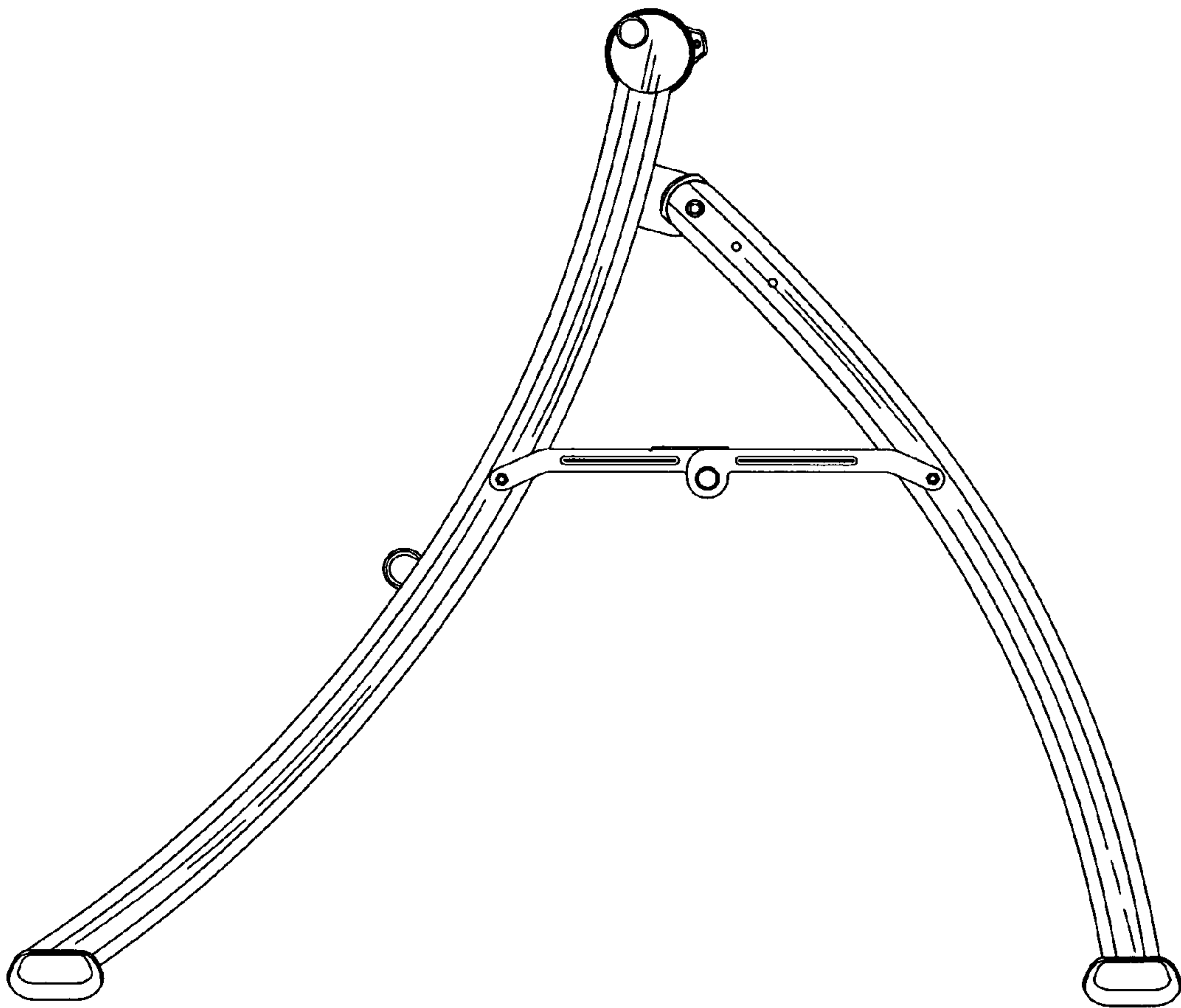


FIG. 7



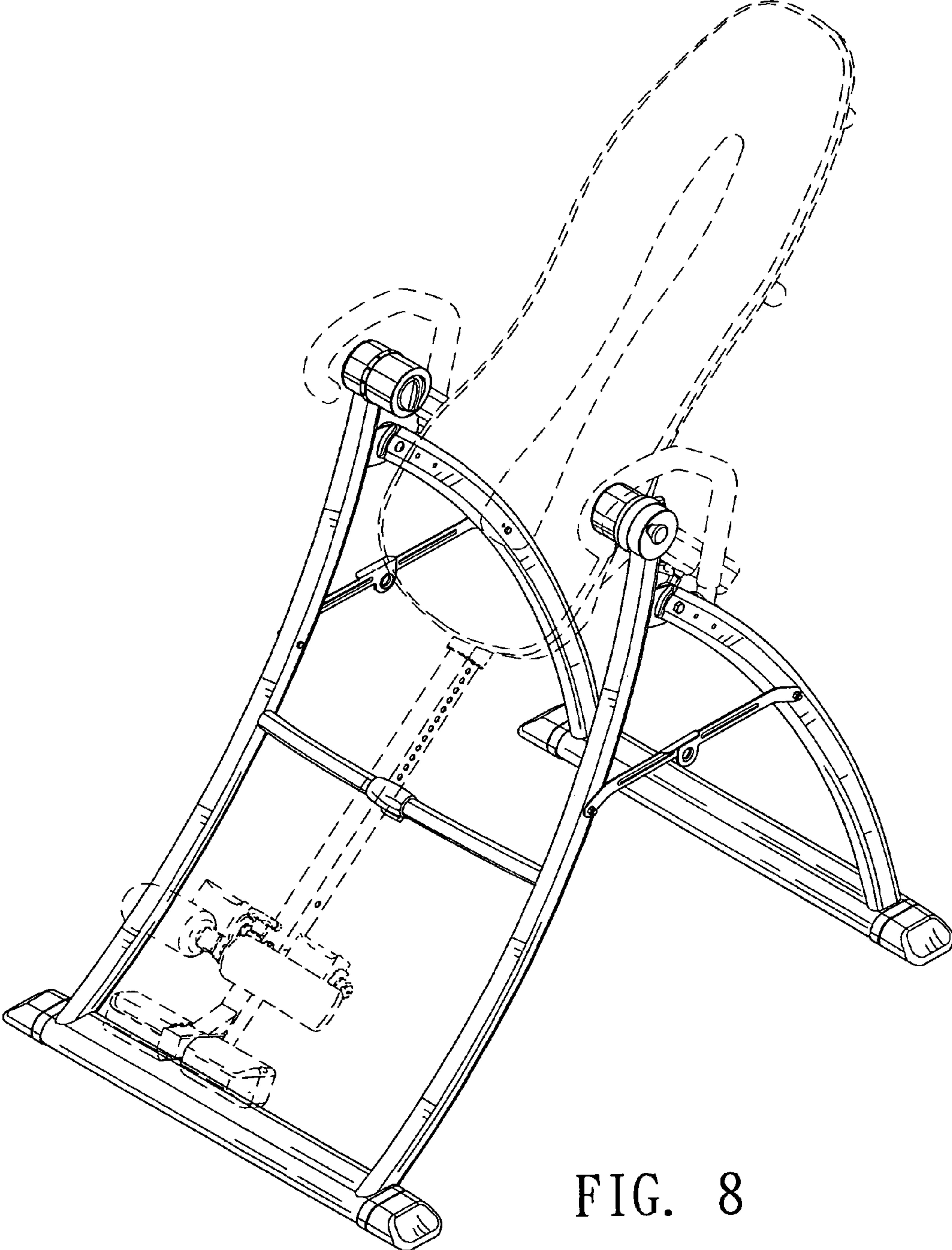


FIG. 8