



US00D617849S

(12) **United States Design Patent**
McNamara

(10) **Patent No.:** **US D617,849 S**
(45) **Date of Patent:** **** *Jun. 15, 2010**

(54) **SLOT MACHINE BASE**

(75) Inventor: **Jack McNamara**, Philadelphia, PA (US)

(73) Assignee: **KGM Gaming, LLC**, Philadelphia, PA (US)

(**) Term: **14 Years**

(21) Appl. No.: **29/335,916**

(22) Filed: **Apr. 24, 2009**

(51) **LOC (9) Cl.** **21-03**

(52) **U.S. Cl.** **D21/370; D21/385**

(58) **Field of Classification Search** D21/369-370, D21/385; 446/12-13, 17, 22, 46-47
See application file for complete search history.

(56) **References Cited**

U.S. PATENT DOCUMENTS

1,098,903	A	6/1914	Hunt
3,142,521	A	7/1964	Petroff
4,496,160	A	1/1985	Wichinsky et al.
5,014,991	A	5/1991	Mirando et al.
5,342,049	A	8/1994	Wichinsky et al.
5,386,903	A	2/1995	Rothschild et al.
5,416,666	A	5/1995	Maguire, Jr.
6,212,068	B1	4/2001	Rooyakkers et al.
D460,915	S	7/2002	Lynch
D472,939	S	4/2003	Philpott
D475,197	S	6/2003	Stoddard
6,638,166	B2	10/2003	Hedrick et al.
D492,363	S	6/2004	Seelig et al.
D492,364	S	6/2004	Seelig et al.
D493,846	S	8/2004	Seelig et al.
6,880,825	B2	4/2005	Seelig et al.
7,040,626	B2	5/2006	Seelig et al.
7,364,160	B2	4/2008	Seelig et al.
2006/0181021	A1	8/2006	Seelig et al.

2006/0281559	A1	12/2006	Luciano
2007/0057607	A1	3/2007	Caissie
2008/0113821	A1	5/2008	Beadell et al.

FOREIGN PATENT DOCUMENTS

JP	8141202	6/1996
JP	8243251	9/1996
JP	2002066101	3/2002

OTHER PUBLICATIONS

Nagasaki Ryoden, Nagasaki Ryoden Base Assembly Drawings, Oct. 24, 2000.

Cootamundra Components, Cootamundra Bases Brochure, Aug. 2001.

Primary Examiner—Sandra Morris

(74) *Attorney, Agent, or Firm*—Panitch Schwarze Belisario & Nadel LLP

(57) **CLAIM**

The ornamental design for a slot machine base, as shown and described.

DESCRIPTION

FIG. 1 is a front, right, and top perspective view of a slot machine base in accordance with my new design;

FIG. 2 is a front elevation view thereof;

FIG. 3 is a rear elevation view thereof;

FIG. 4 is a left side elevation view thereof;

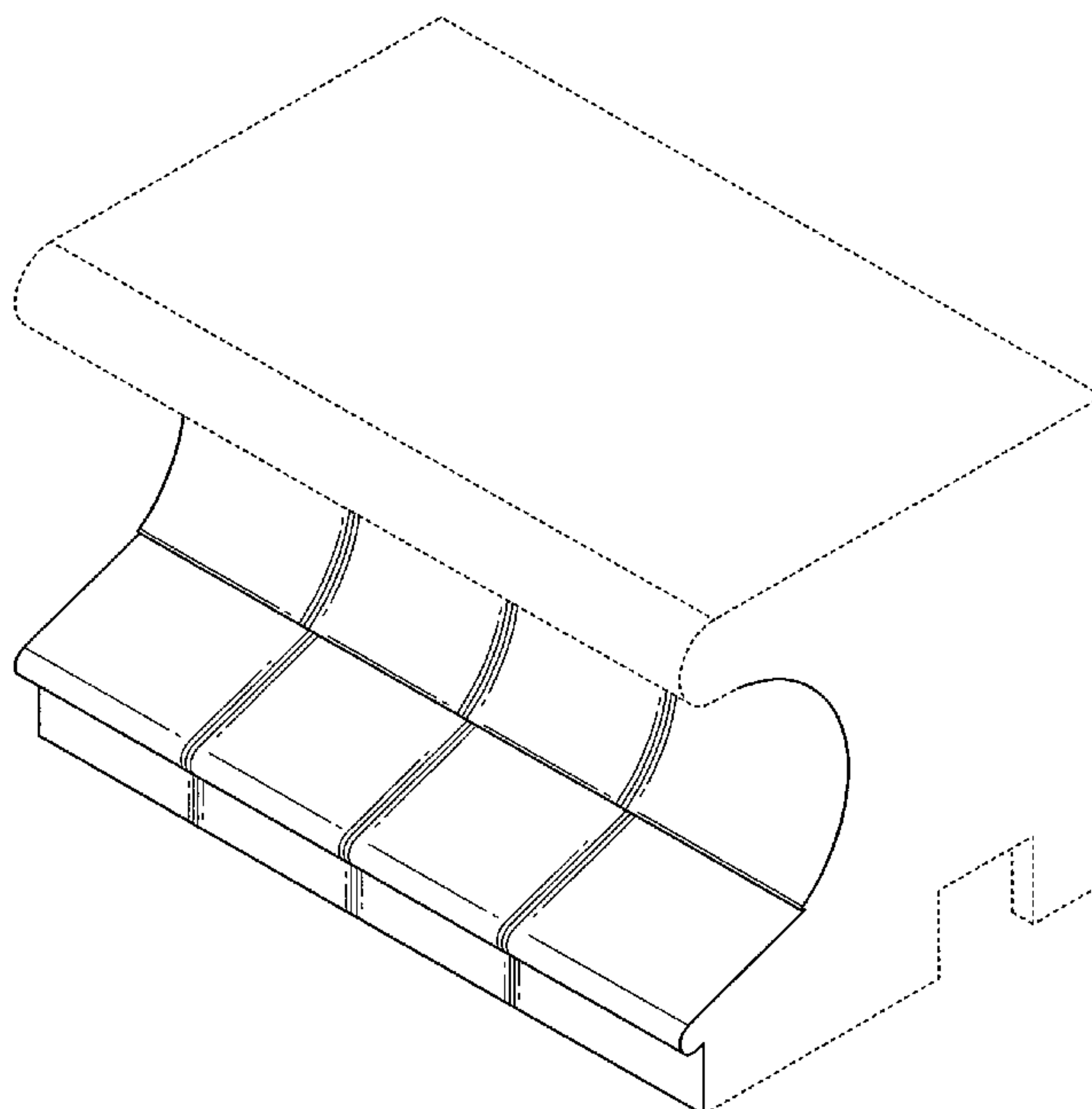
FIG. 5 is a right side elevation view thereof;

FIG. 6 is a top plan view thereof; and,

FIG. 7 is a bottom plan view thereof.

The broken lines in the figures are for illustrative purposes only and form no part of the claimed invention.

1 Claim, 4 Drawing Sheets



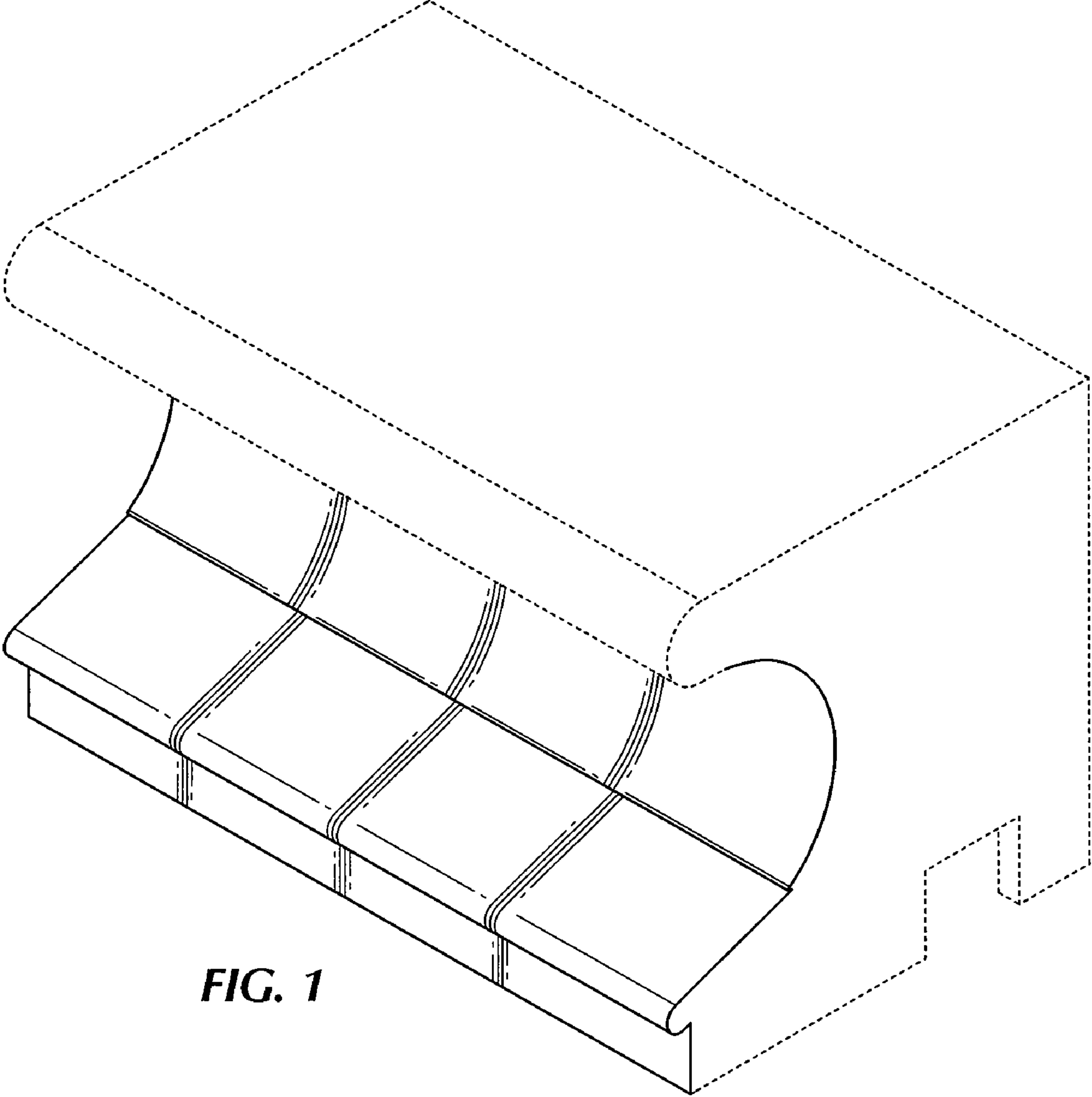


FIG. 1

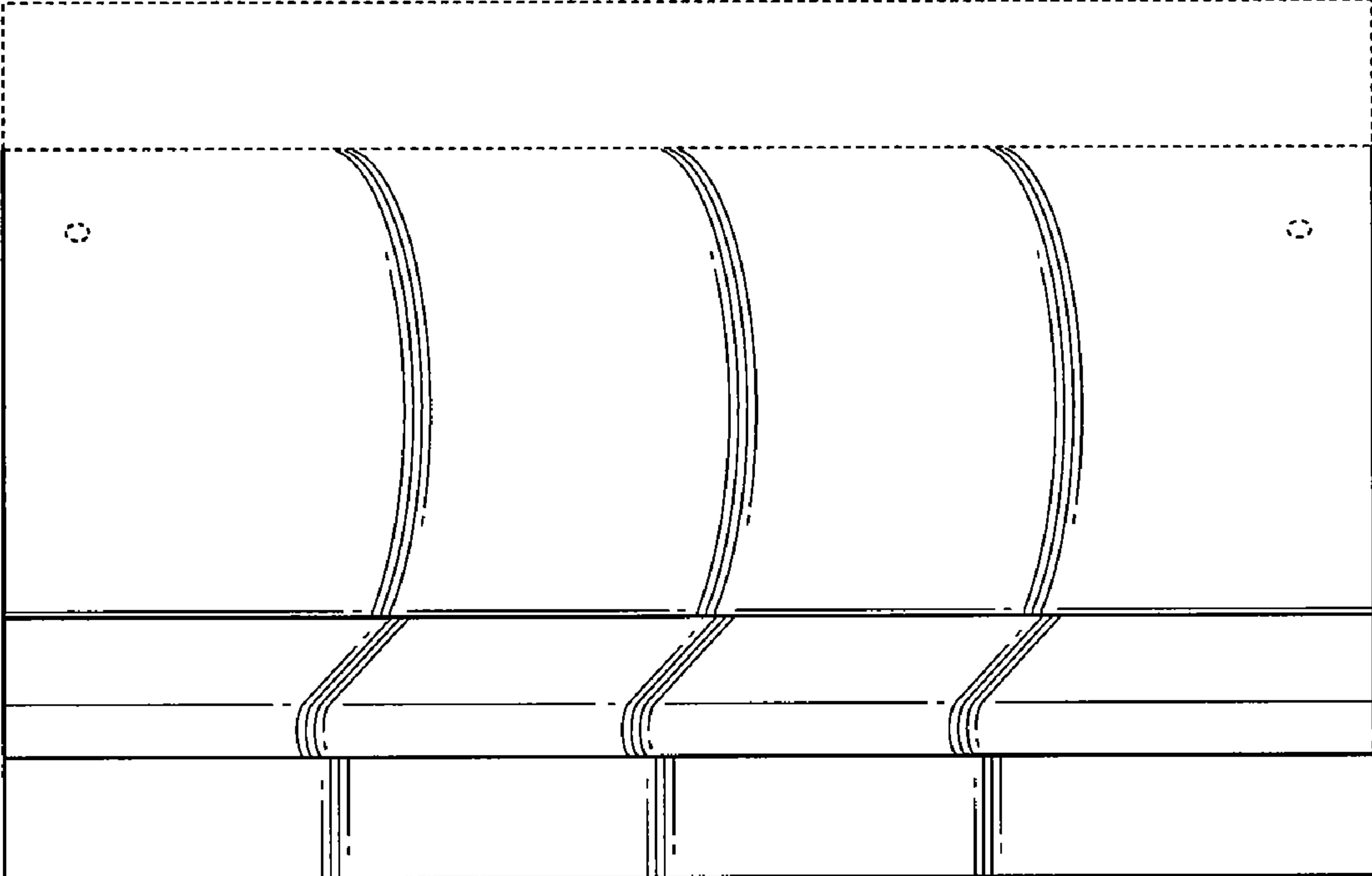


FIG. 2

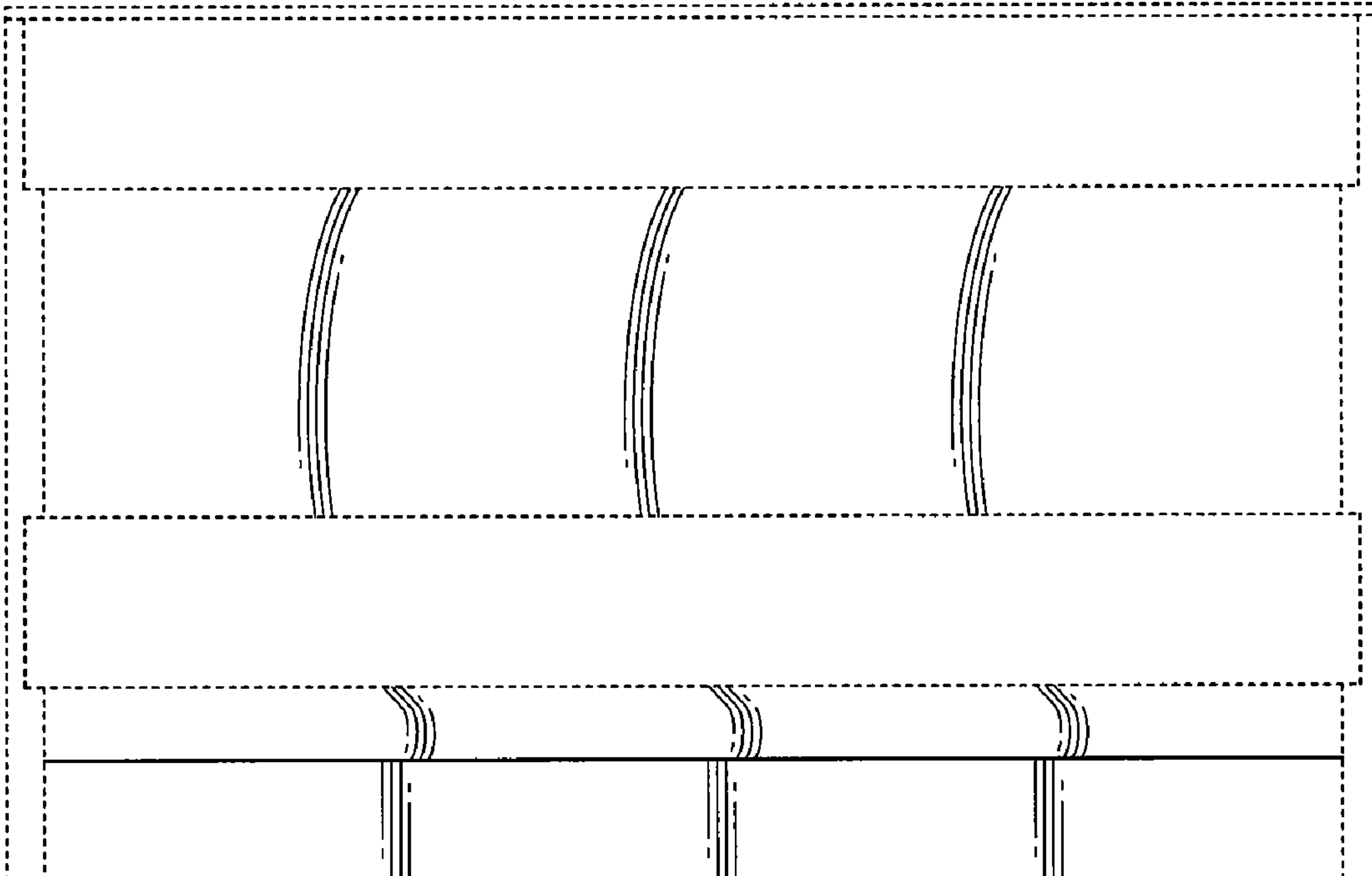


FIG. 3

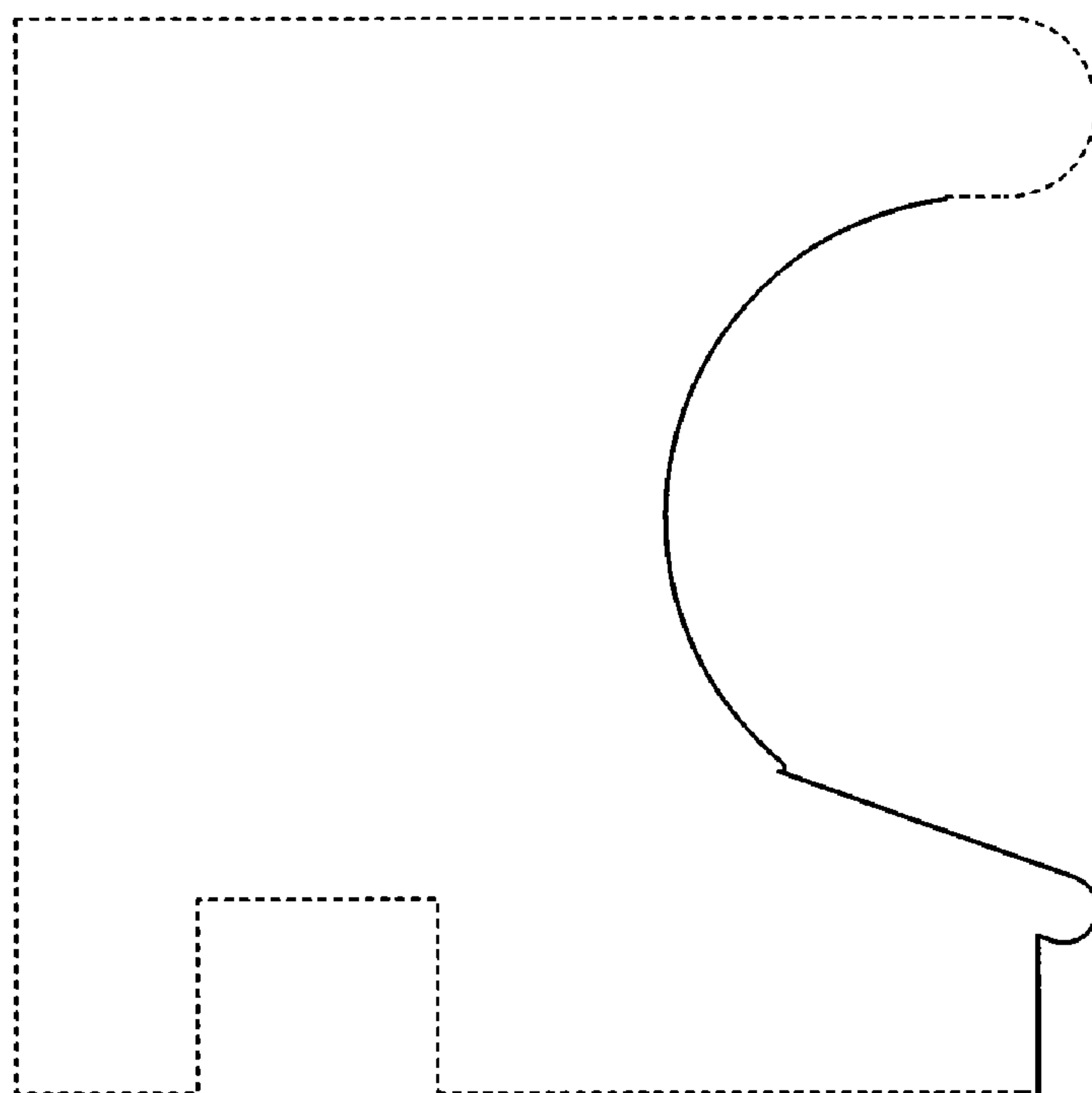


FIG. 4

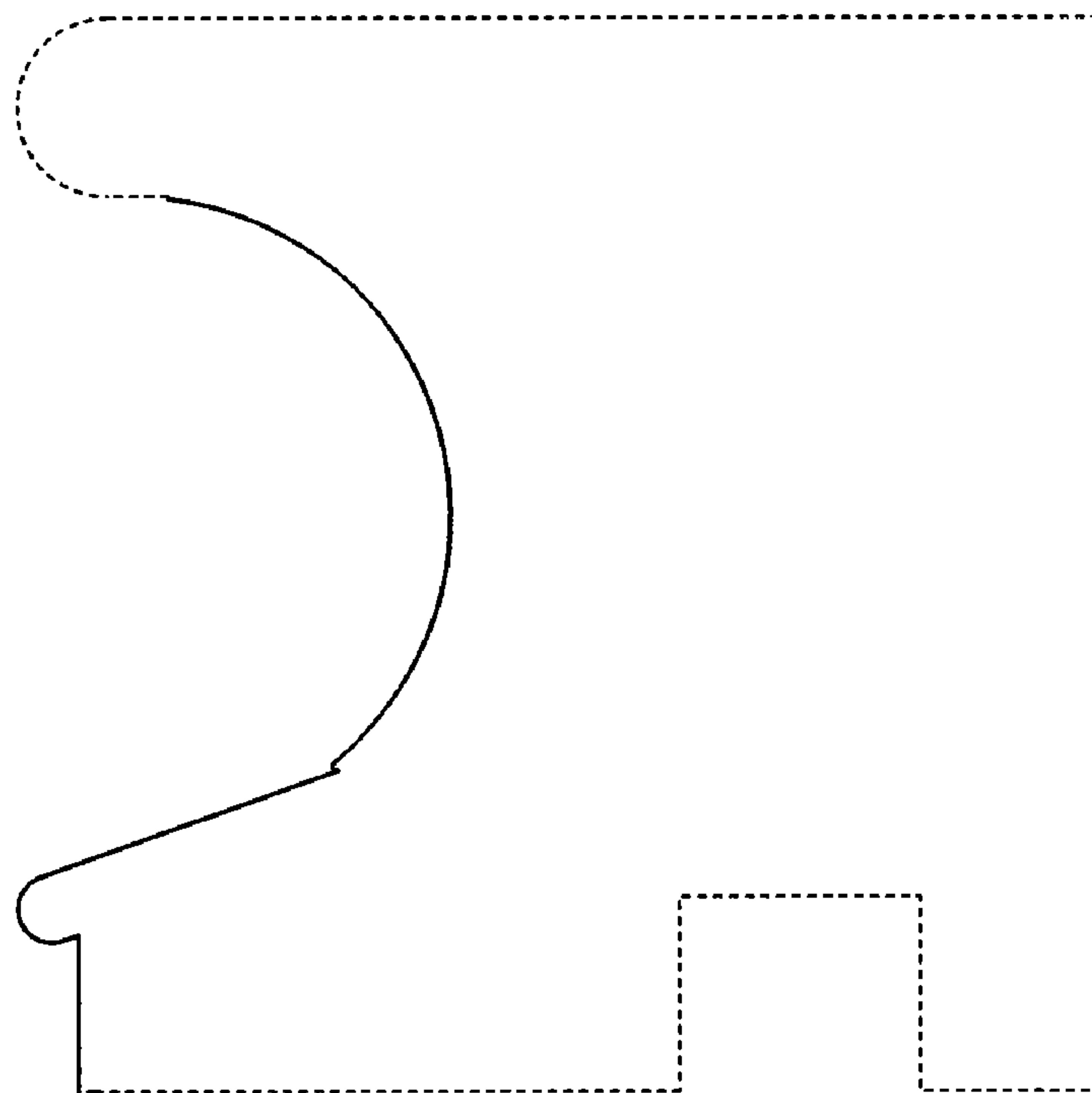


FIG. 5

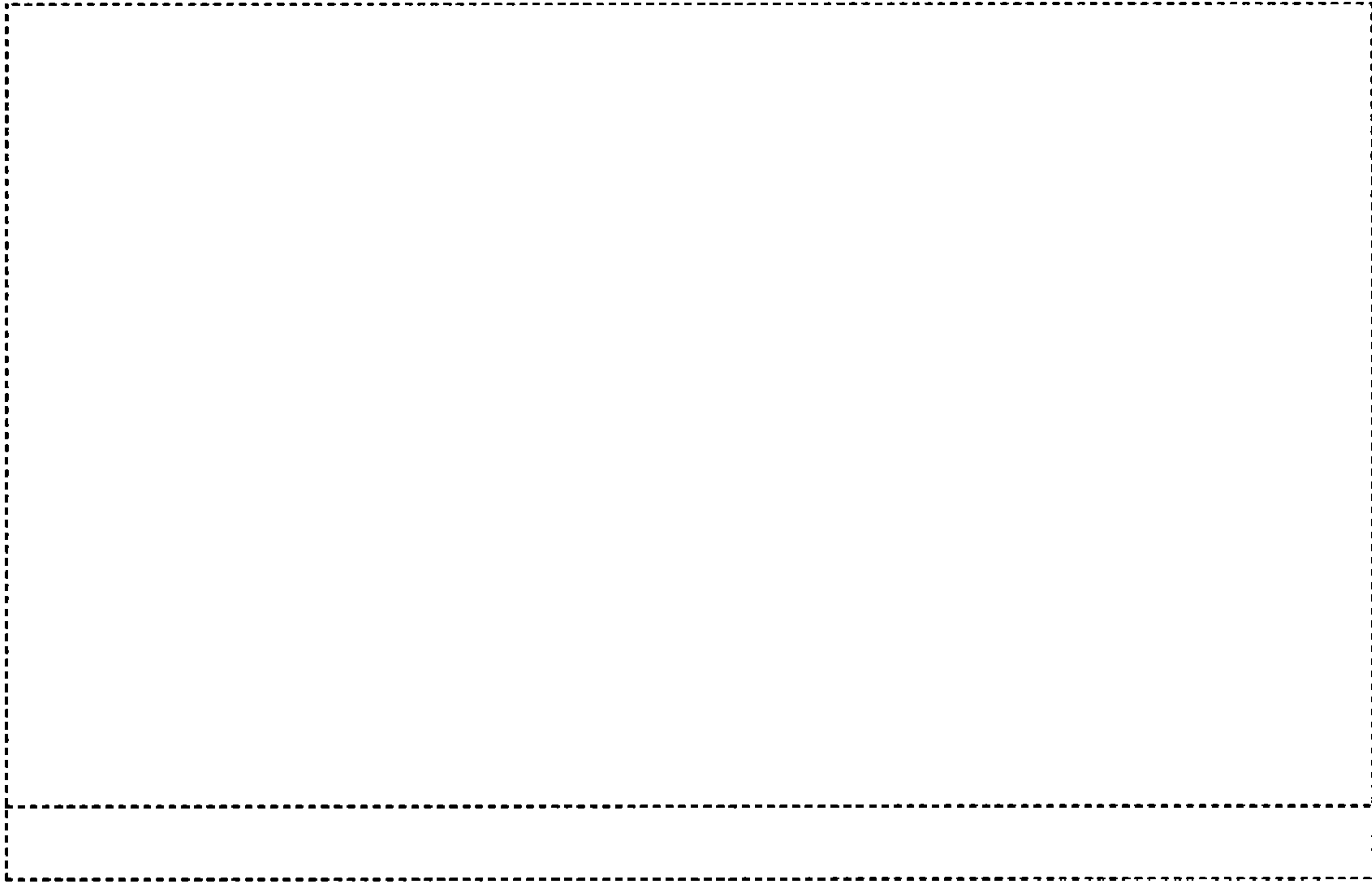


FIG. 6

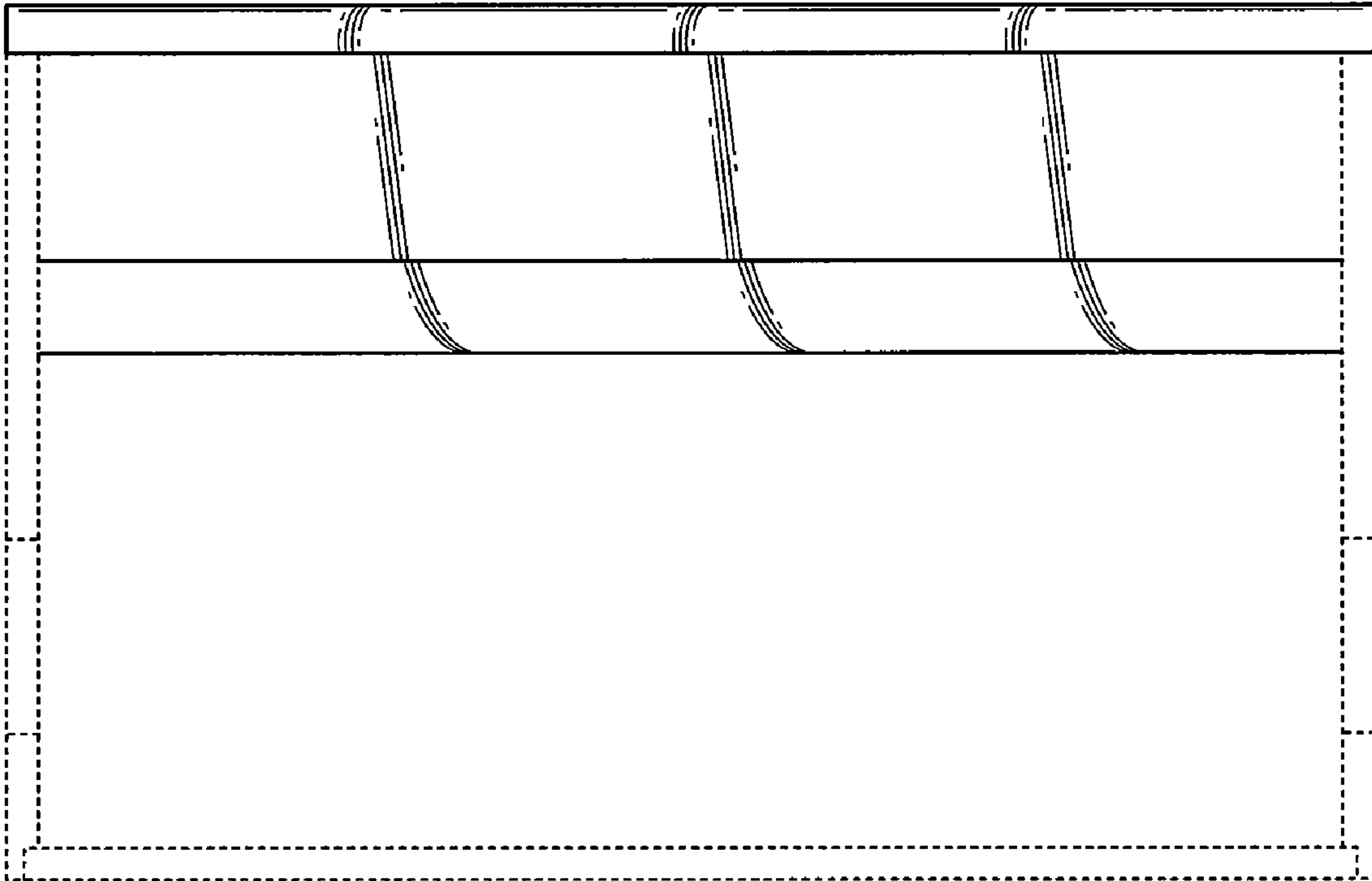


FIG. 7