



US00D617846S

(12) **United States Design Patent**
Matsuno et al.

(10) **Patent No.:** **US D617,846 S**
(45) **Date of Patent:** **** Jun. 15, 2010**

(54) **PORTABLE GAME DEVICE WITH LCD**

(75) Inventors: **Shotaro Matsuno**, Tokyo (JP); **Rikiya Takahashi**, Tokyo (JP)

(73) Assignee: **Kabushiki Kaisha Bandai (A.K.A. Bandai Co., Ltd.)**, Tokyo (JP)

(**) Term: **14 Years**

(21) Appl. No.: **29/309,780**

(22) Filed: **Oct. 10, 2008**

(30) **Foreign Application Priority Data**

May 15, 2008 (JP) 2008-012055

(51) **LOC (9) Cl.** **21-01**

(52) **U.S. Cl.** **D21/324**

(58) **Field of Classification Search** D21/300,
D21/324-333, 439, 440, 403, 478; D14/496;
273/148 B, 457, DIG. 24; 463/1, 29-35,
463/46, 47; 252/299.01, 582, 586, 301.16;
349/1, 16, 58, 61, 190; 359/616, 617, 894,
359/895; 428/1.1

See application file for complete search history.

(56) **References Cited**

U.S. PATENT DOCUMENTS

6,992,648 B2 * 1/2006 Yamada 345/88
D522,587 S * 6/2006 Yokoi D21/324
D526,025 S * 8/2006 Watanabe D21/324
D526,026 S * 8/2006 Watanabe D21/324
D527,053 S * 8/2006 Watanabe D21/324

D546,396 S * 7/2007 Matsuno D21/324
D565,122 S * 3/2008 Nishizawa et al. D21/329
D581,988 S * 12/2008 Hall et al. D21/329
2004/0214638 A1 * 10/2004 Totaka et al. 463/35
2006/0267928 A1 * 11/2006 Kawanobe et al. 345/156
2007/0265088 A1 * 11/2007 Nakada et al. 463/37
2007/0299321 A1 * 12/2007 Brown 600/300

* cited by examiner

Primary Examiner—Prabhakar Deshmukh

(74) *Attorney, Agent, or Firm*—Rabin & Berdo, PC

(57) **CLAIM**

The ornamental design for a portable game device with LCD, as shown and described.

DESCRIPTION

FIG. 1 is a front view of a portable game device with LCD showing our new design;

FIG. 2 is a rear view thereof;

FIG. 3 is a right side view thereof;

FIG. 4 is a left side view thereof;

FIG. 5 is a top view thereof;

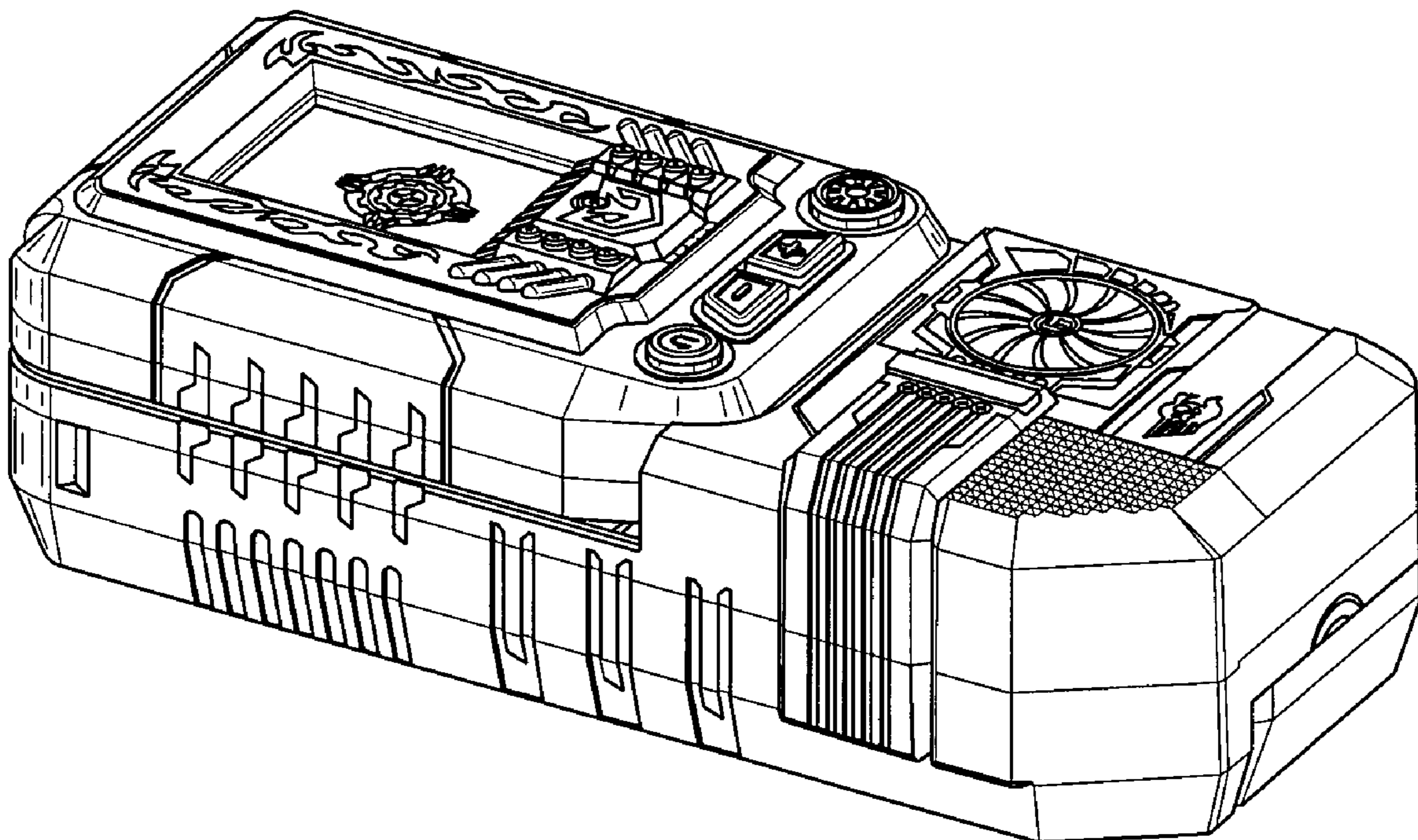
FIG. 6 is a bottom view thereof;

FIG. 7 is a view thereof, with the cases being shown in the rotated position; and,

FIG. 8 is a perspective view thereof.

The broken lines are for illustrative purpose and form no part of the claimed design.

1 Claim, 7 Drawing Sheets



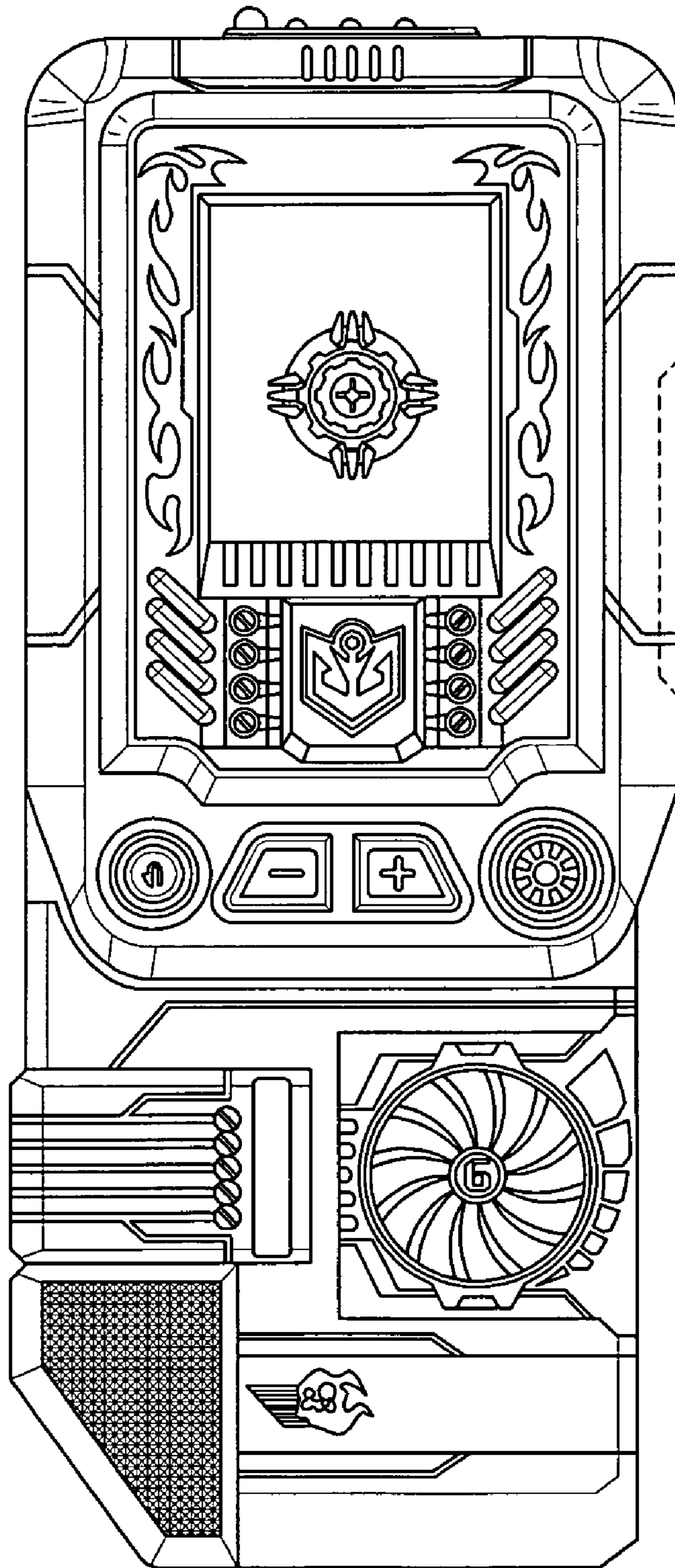


FIG. 1

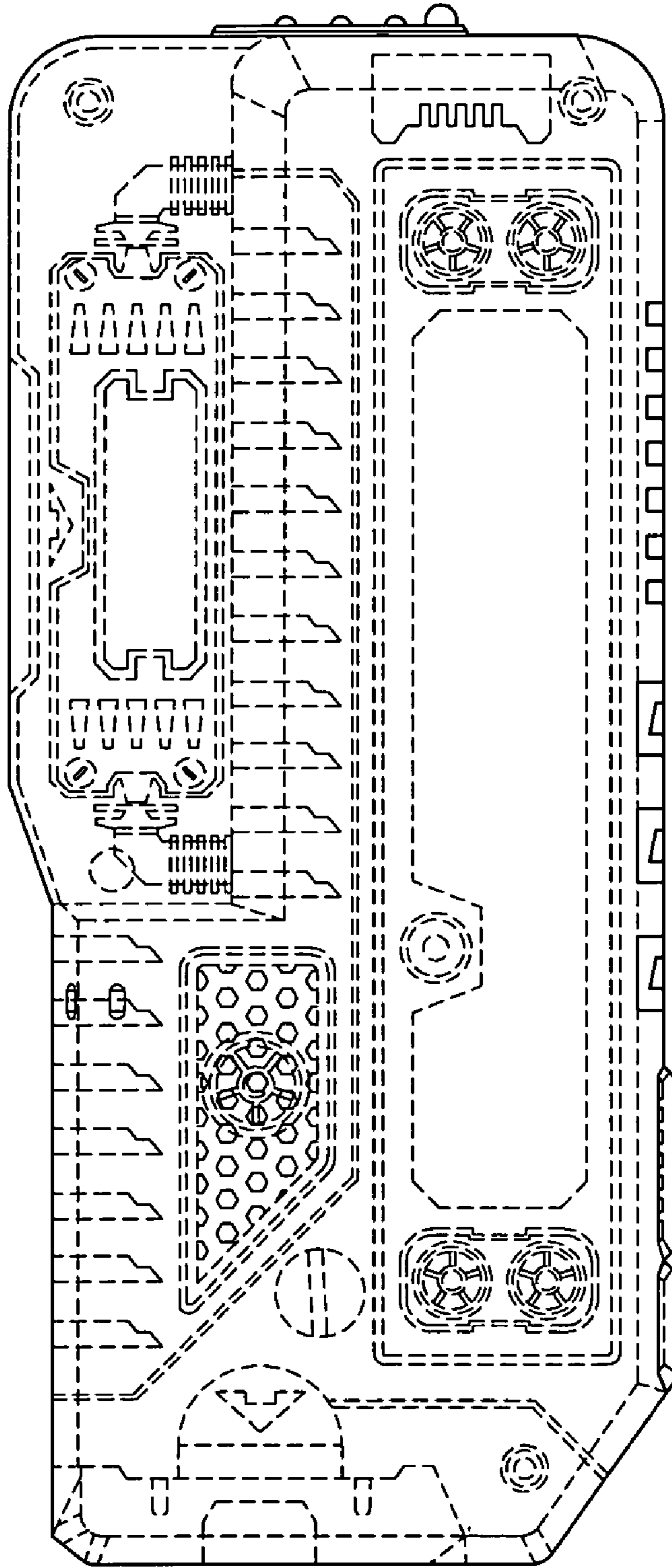


FIG. 2

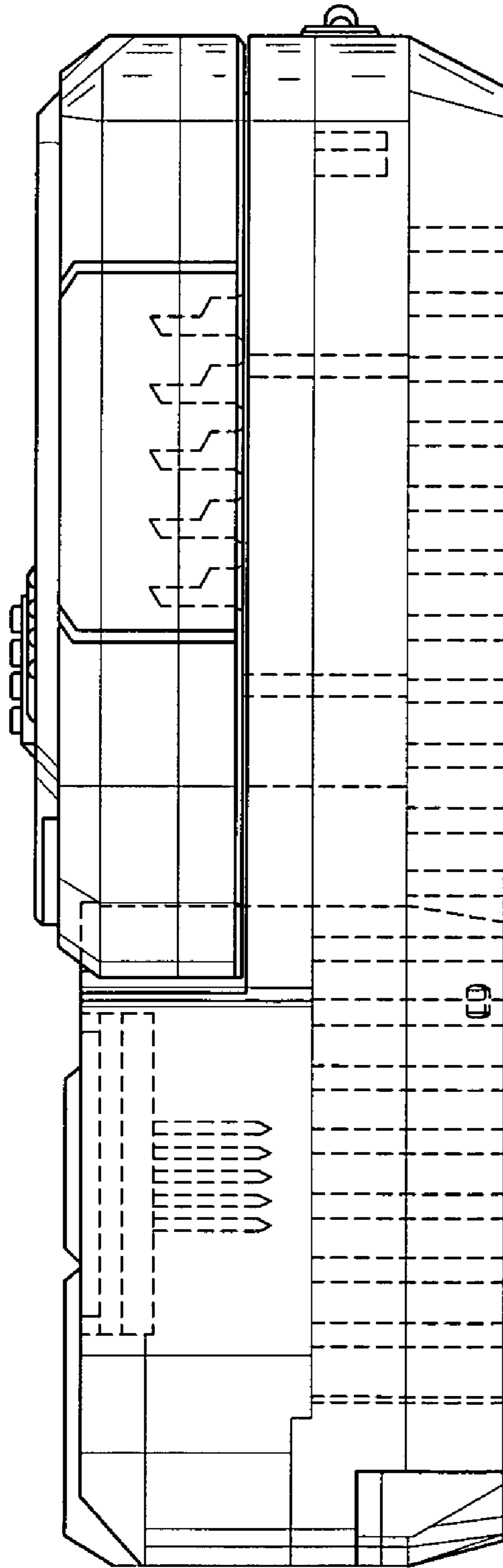


FIG. 3

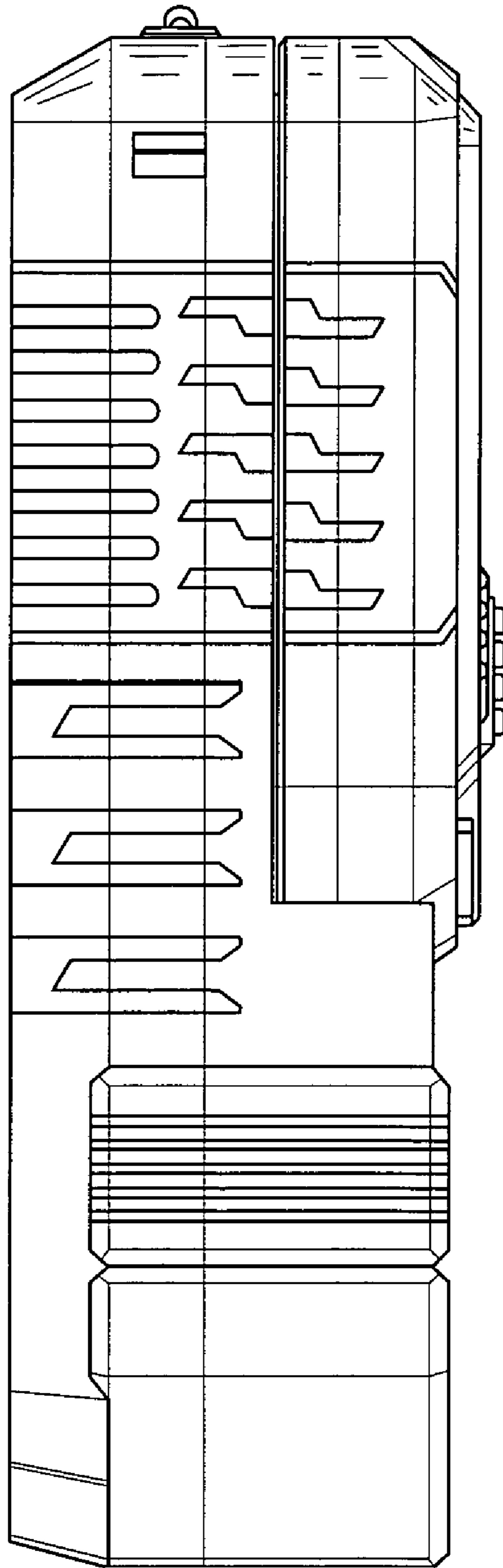


FIG. 4

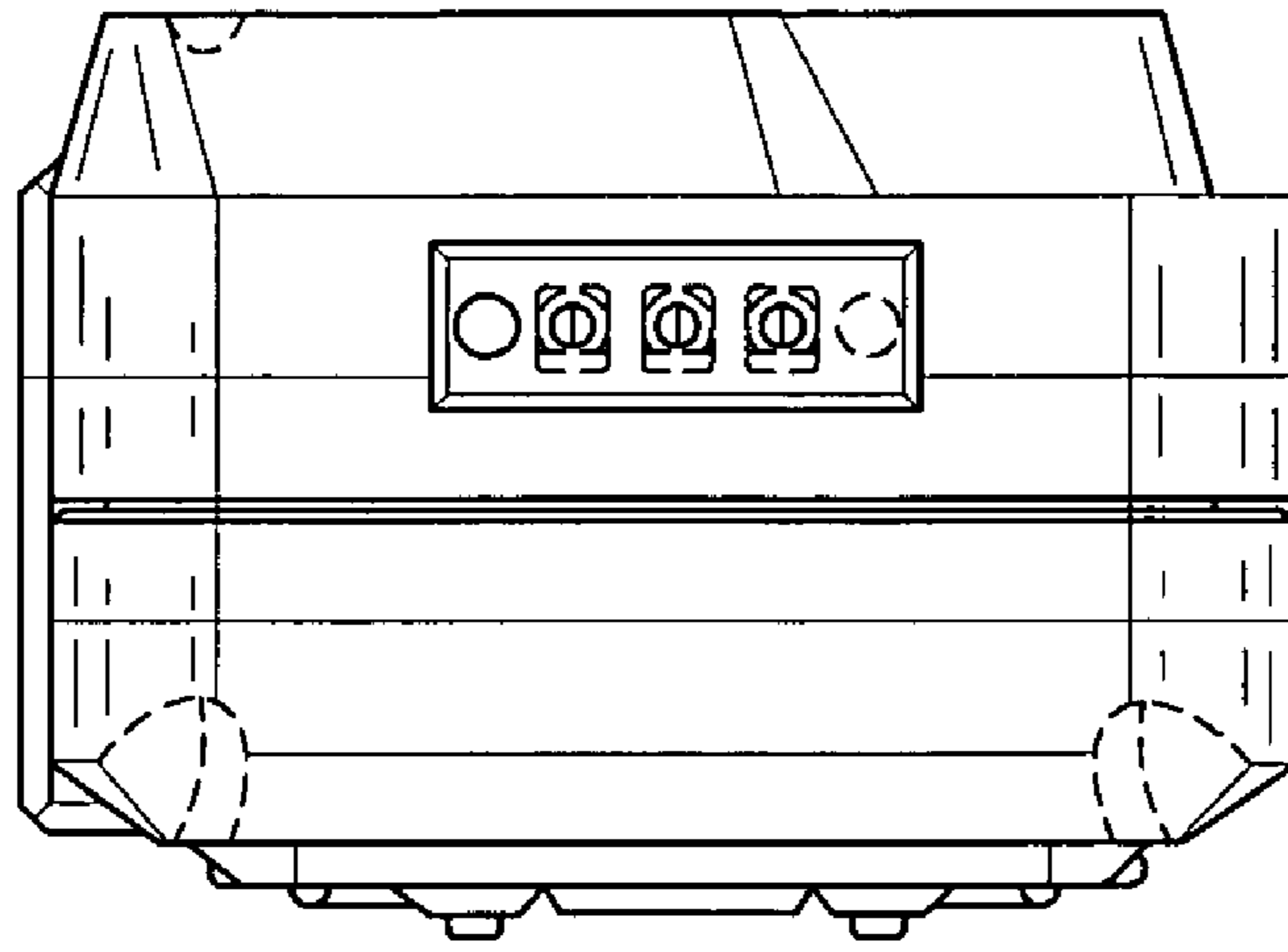


FIG. 5

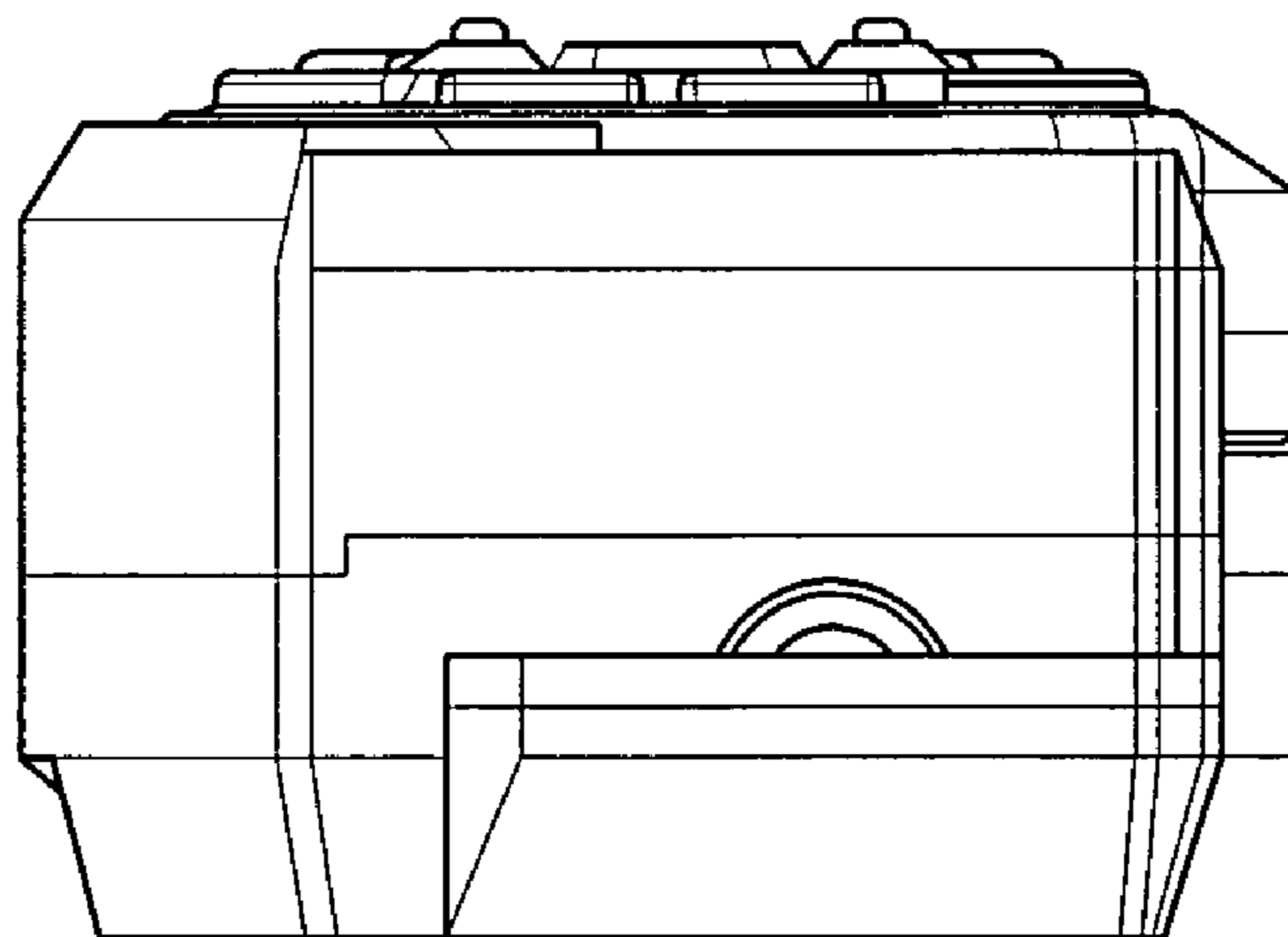


FIG. 6

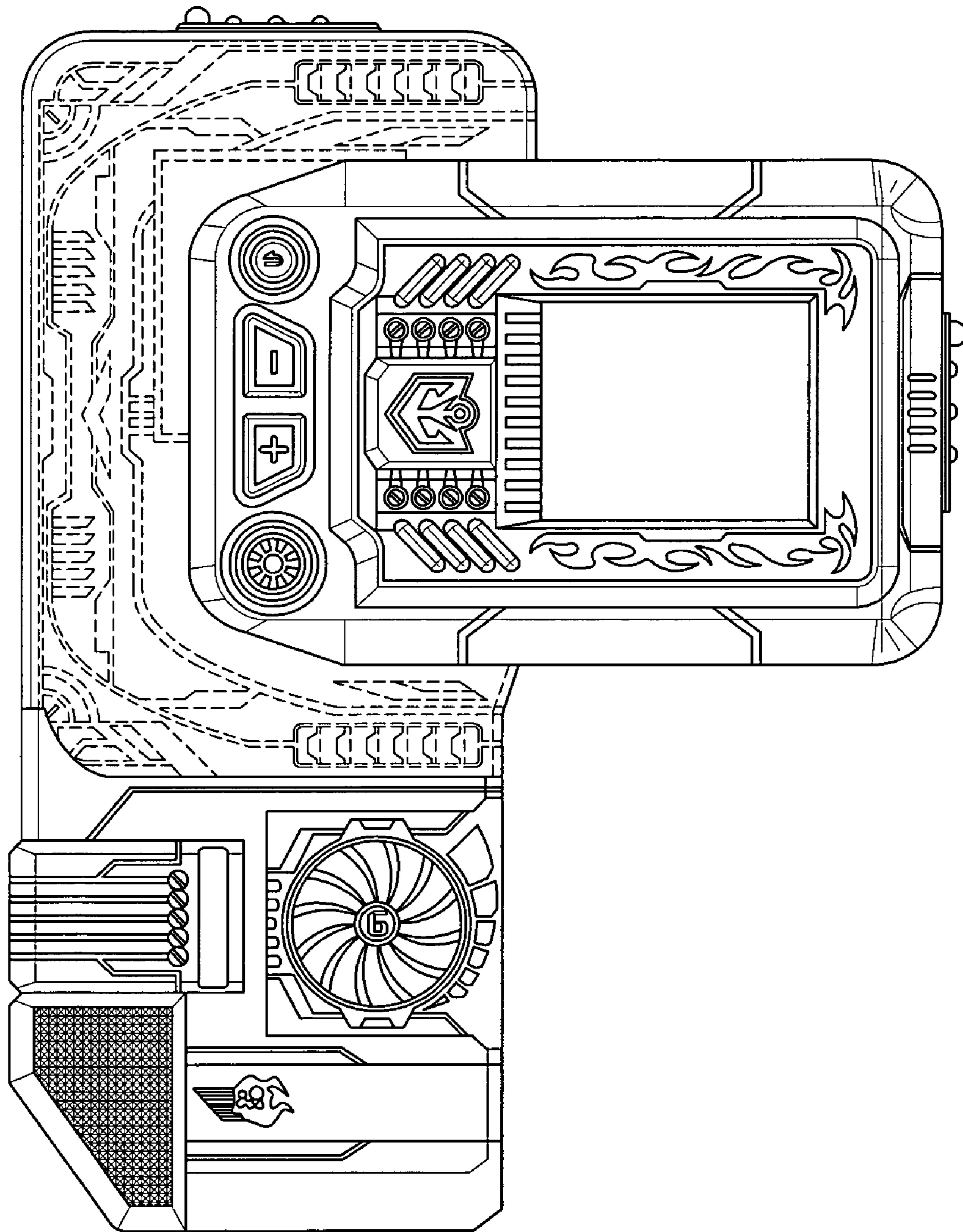


FIG. 7

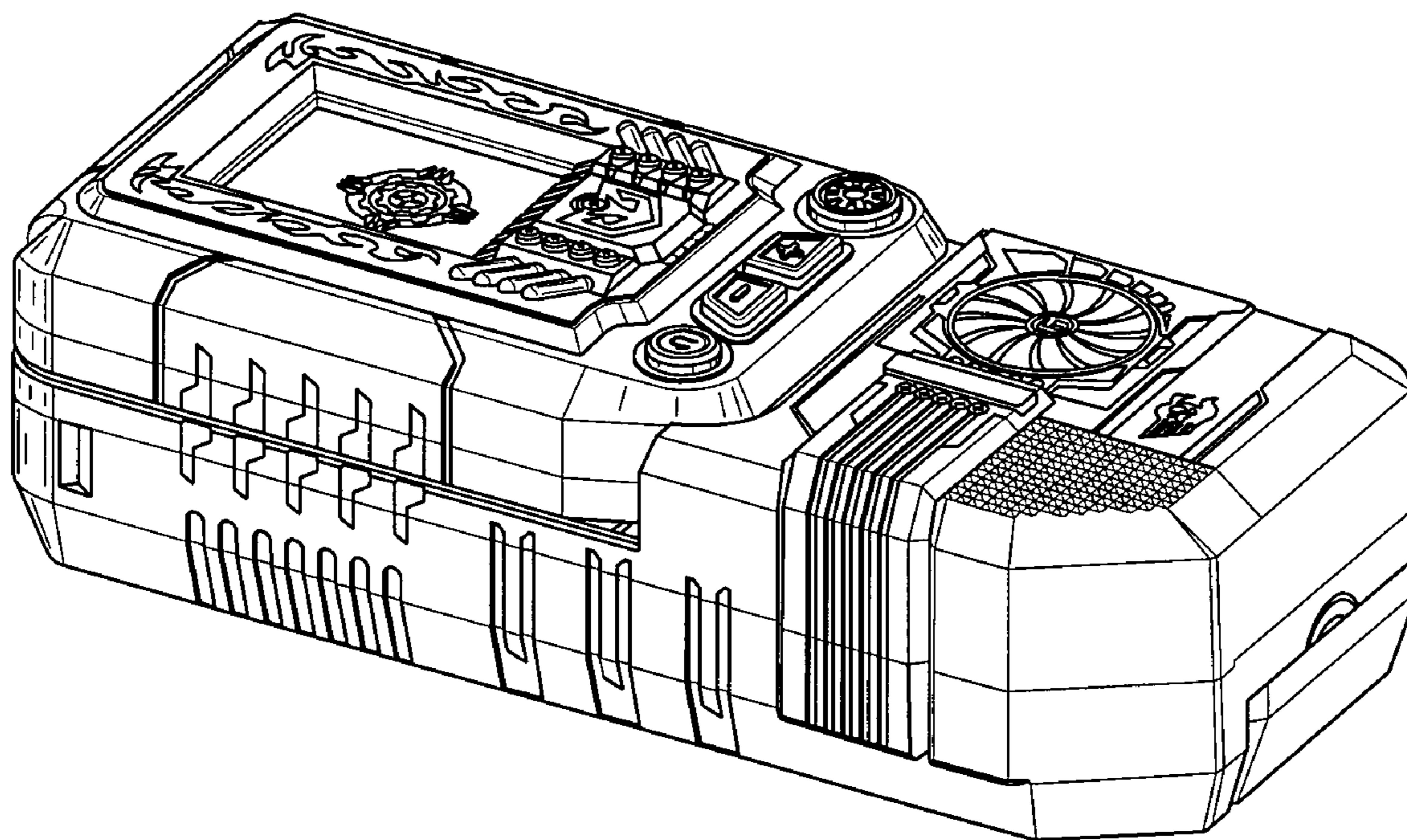


FIG. 8