



US00D617845S

(12) **United States Design Patent**
Suciu et al.

(10) **Patent No.:** **US D617,845 S**
(45) **Date of Patent:** **** *Jun. 15, 2010**

(54) **CONCAVE SIGN HOLDER**

2005/0097800 A1* 5/2005 Pitcher et al. 40/658

(75) Inventors: **Rebecca C. Suciu**, Lynn, MA (US);
Thomas P. Burrous, Haverhill, MA
(US); **David E. Pitcher**, Swampscott,
MA (US); **Alan Stenfors**, Scituate, MA
(US); **Sidney Rose**, Marblehead, MA
(US)

* cited by examiner

Primary Examiner—Janice E Seeger
Assistant Examiner—Mary Ann Calabrese
(74) *Attorney, Agent, or Firm*—Don Halgren

(73) Assignee: **Rose Displays, Ltd.**, Salem, MA (US)

(57) **CLAIM**
The ornamental design for the concave sign holder, as shown and described.

(*) Notice: This patent is subject to a terminal disclaimer.

DESCRIPTION

(**) Term: **14 Years**

FIG. 1 is a perspective view of the concave sign holder of the present invention, looking angularly downwardly, towards a front side thereof, the broken lines forming no part of the present invention;

(21) Appl. No.: **29/312,947**

FIG. 2 is a perspective view of the concave sign holder of the present invention looking angularly upwardly, towards the front side thereof, the broken lines forming no part of the present invention;

(22) Filed: **Nov. 24, 2008**

FIG. 3 is a view of a first end of the concave sign holder of the present invention, the broken lines forming no part of the present invention;

(51) **LOC (9) Cl.** **20-03**

(52) **U.S. Cl.** **D20/43**

(58) **Field of Classification Search** D20/10,
D20/19, 40, 42, 43, 99; 40/299.01, 514,
40/541, 584, 606.01, 606.03, 607.11, 607.13,
40/642.02, 658, 661, 661.01, 662, 666; D10/109;
D19/65, 90, 91; 211/45; 248/316.5, 316.7;
362/812

See application file for complete search history.

FIG. 4 is a view of a second end of the concave sign holder of the present invention, the broken lines forming no part of the present invention;

(56) **References Cited**

U.S. PATENT DOCUMENTS

D291,210	S	*	8/1987	Labbe et al.	D20/43
4,794,715	A	*	1/1989	Cherwin	40/514
D310,689	S	*	9/1990	Evenson	D19/90
D330,221	S	*	10/1992	Levin	D19/91
D389,194	S	*	1/1998	Rinicella et al.	D20/42
5,711,430	A	*	1/1998	Andersen et al.	211/45
D453,534	S	*	2/2002	Kosir	D20/43
6,547,200	B2	*	4/2003	Dilworth	248/316.5
D534,588	S	*	1/2007	Nuttall	D19/65
7,520,080	B2	*	4/2009	Pitcher et al.	40/658

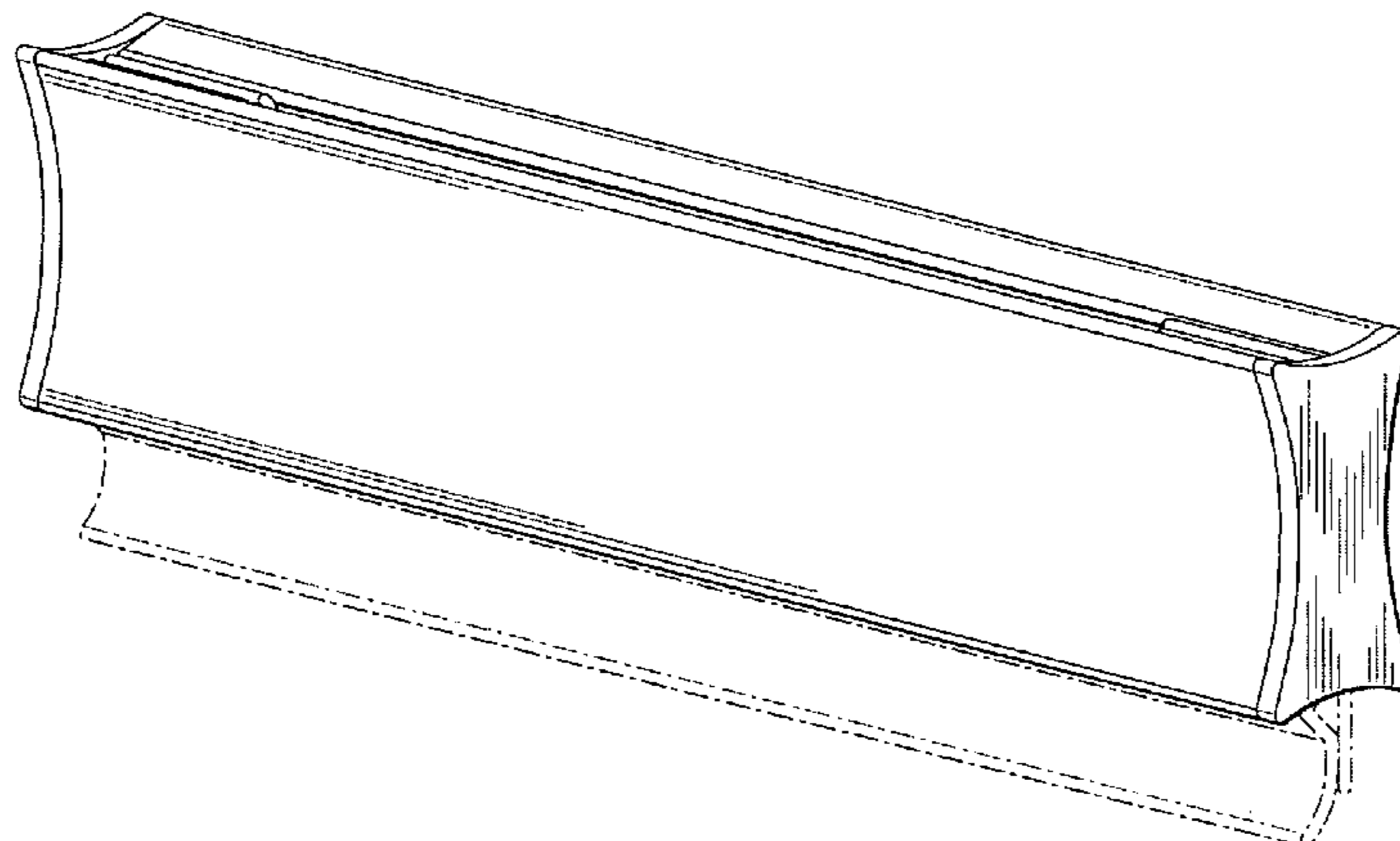
FIG. 5 is a front elevational view of the concave sign holder of the present invention; the broken lines forming no part of the present invention;

FIG. 6 is a back elevational view of the concave sign holder of the present invention; the broken lines forming no part of the present invention;

FIG. 7 is a top plan view of the concave sign holder of the present invention; and,

FIG. 8 is a bottom plan view of the concave sign holder of the present invention; the broken lines forming no part of the present invention.

1 Claim, 4 Drawing Sheets



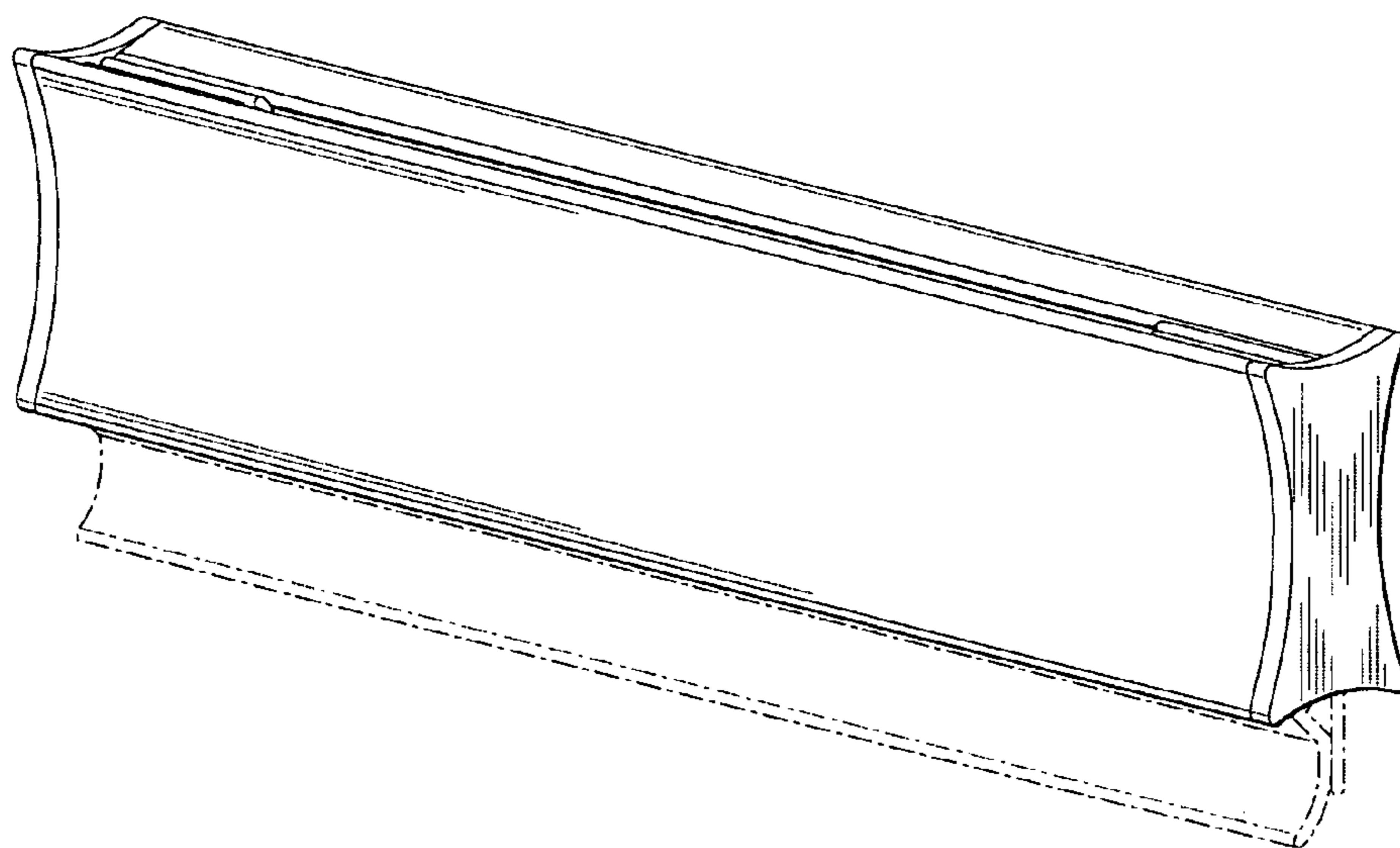


Fig. 1

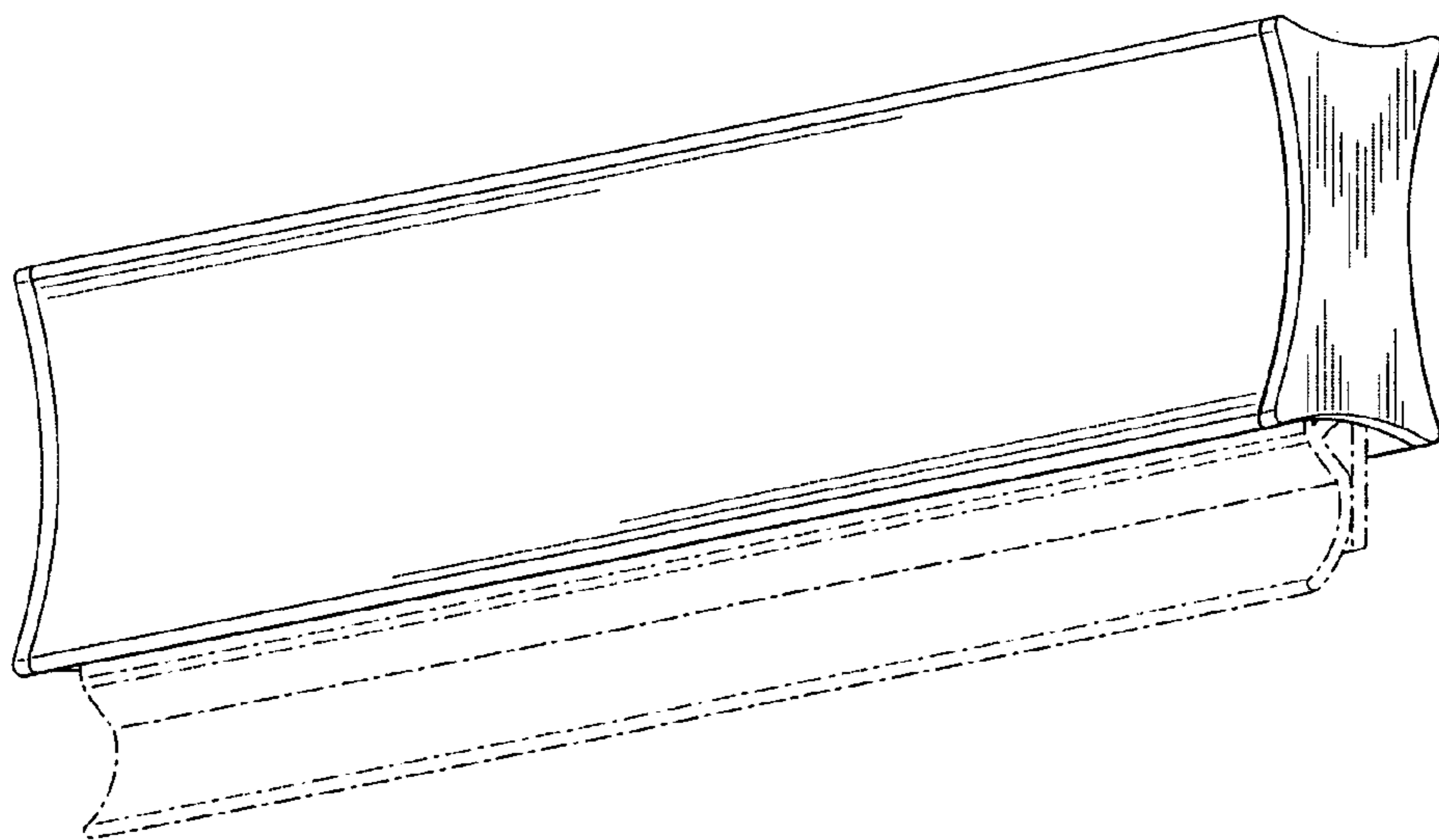


Fig. 2

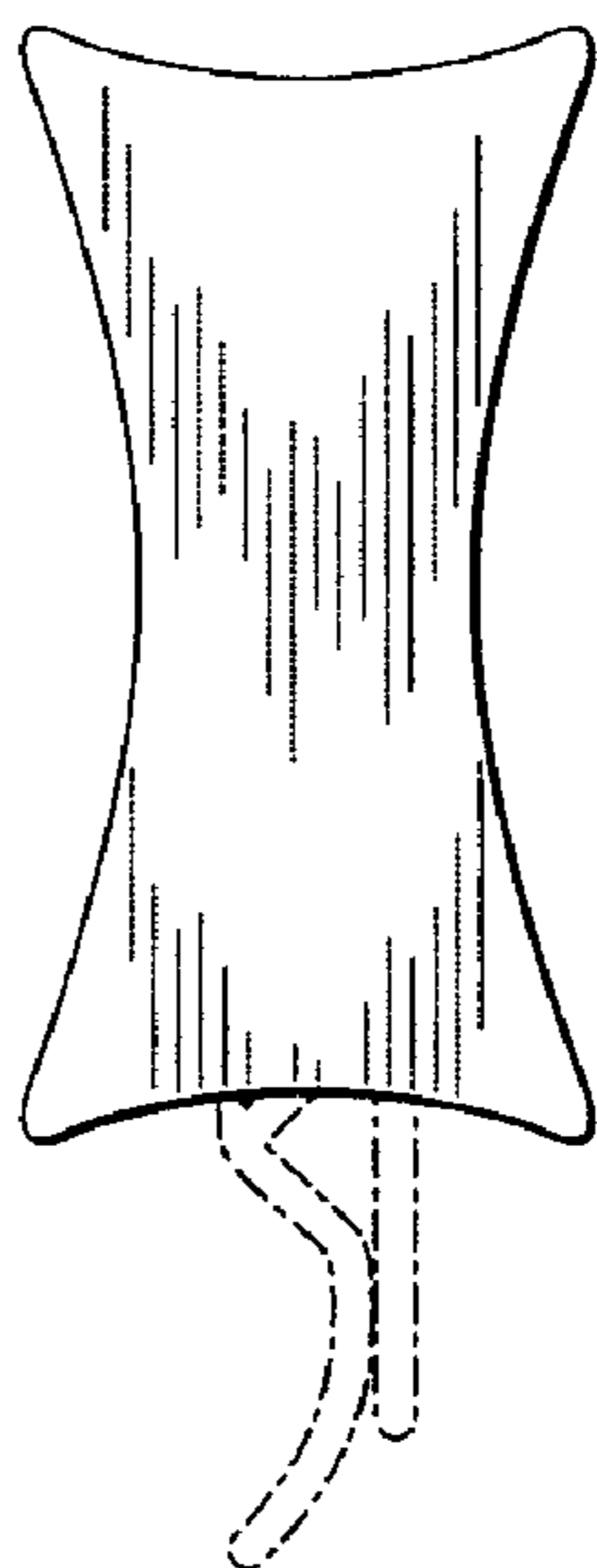


Fig. 3

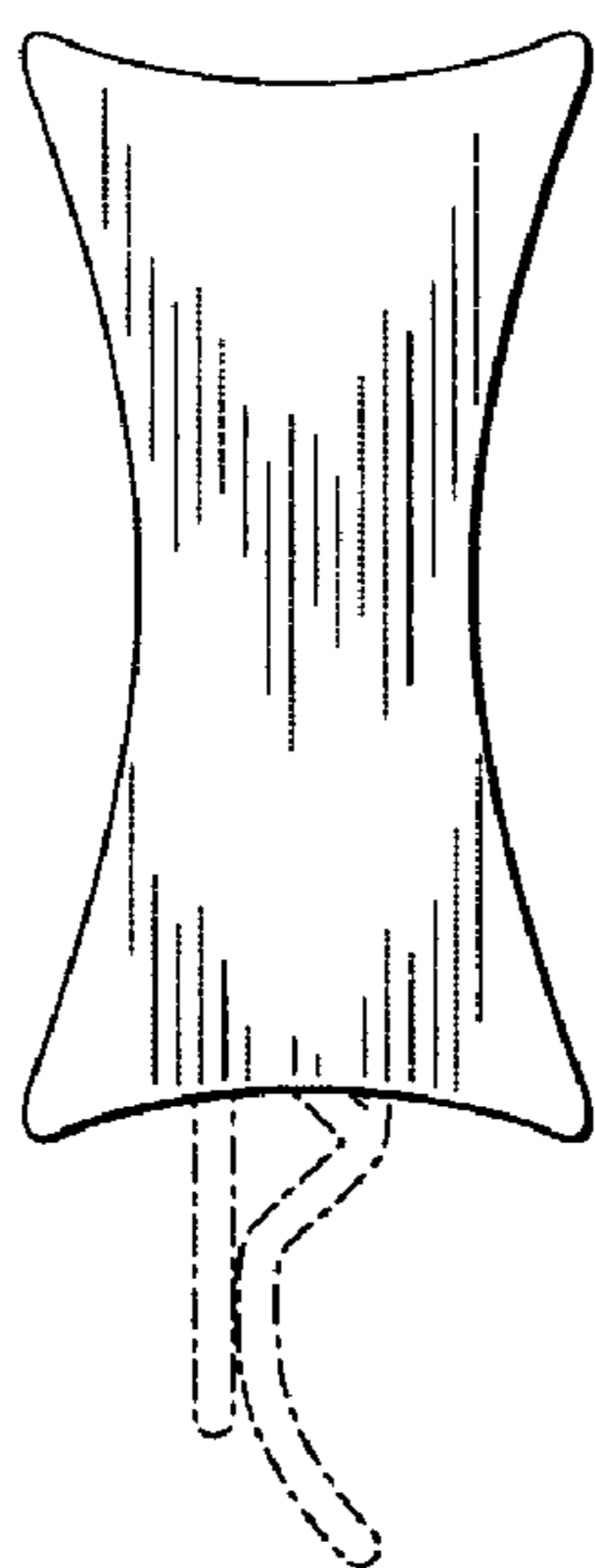


Fig. 4

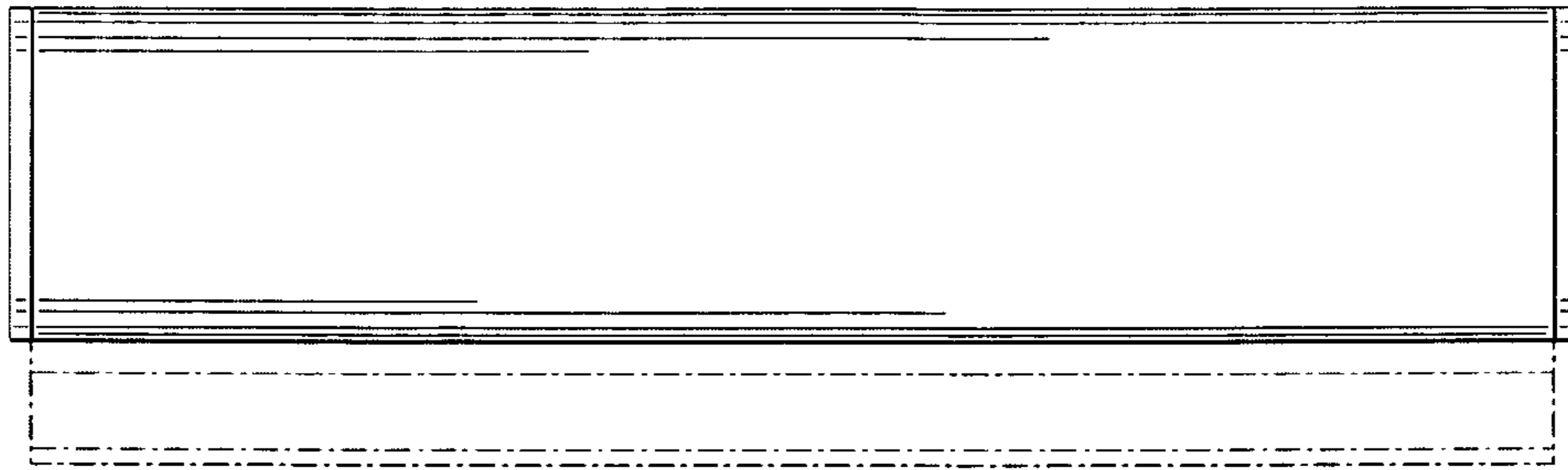


Fig. 5

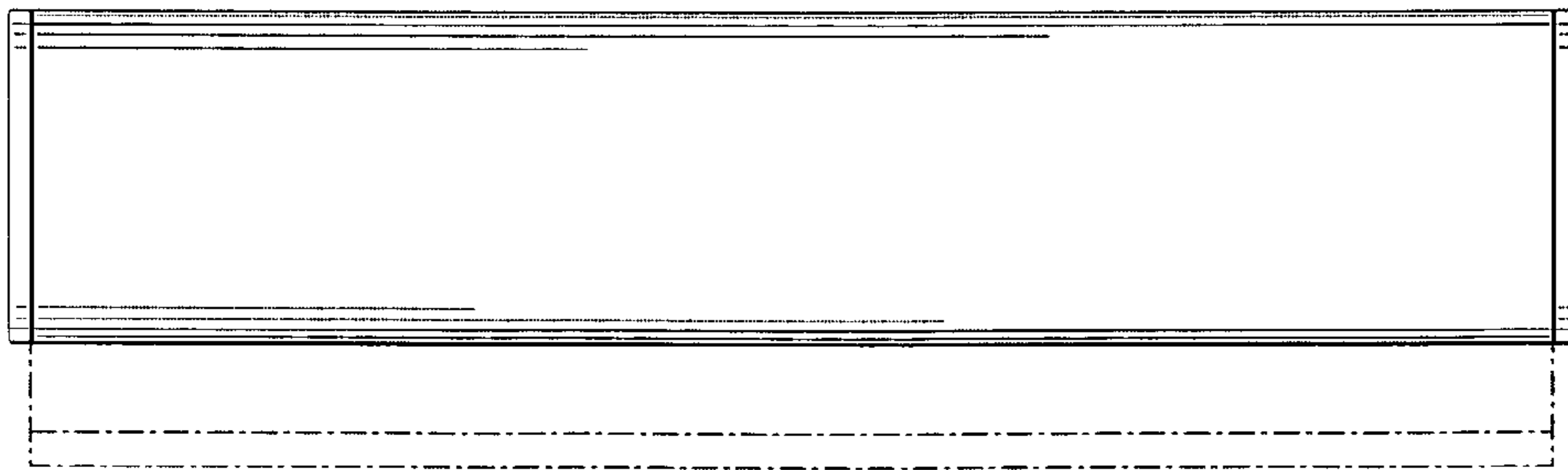


Fig. 6

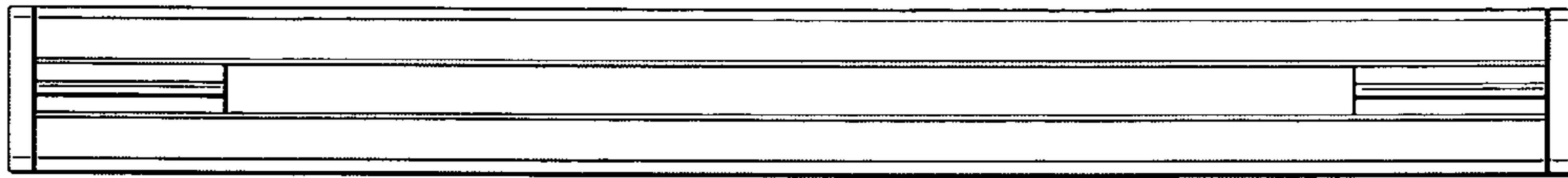


Fig. 7

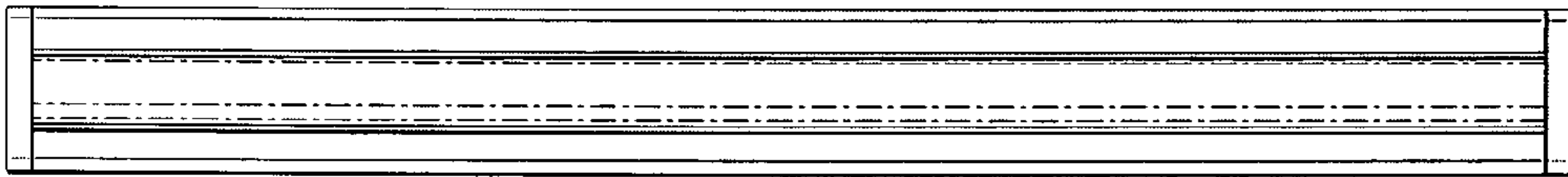


Fig. 8