



US00D617844S

(12) **United States Design Patent**
Stone

(10) **Patent No.:** **US D617,844 S**
(45) **Date of Patent:** **** Jun. 15, 2010**

(54) **TOW TAG**

(76) Inventor: **Connie R. Stone**, 161 Champion La.,
Manchester, TN (US) 37355

(**) Term: **14 Years**

(21) Appl. No.: **29/332,864**

(22) Filed: **Feb. 26, 2009**

(51) **LOC (9) Cl.** **19-08**

(52) **U.S. Cl.** **D20/27**

(58) **Field of Classification Search** D20/10,

D20/11, 19, 22-29, 40, 99; 40/124.01, 124.02,
40/124.04, 299.01, 305, 308, 309, 316, 628,
40/631, 636-638, 651, 655, 658, 661, 662,
40/664, 665, 669, 673; D8/349, 354, 356;
D10/104, 109; 24/129 B, 129 R, 578.1; 242/388;
283/56, 71, 81

See application file for complete search history.

(56) **References Cited**

U.S. PATENT DOCUMENTS

80,967 A *	8/1868	Jones	40/305
851,805 A *	4/1907	Fletcher	24/578.1
1,125,618 A *	1/1915	Wilson et al.	40/305
1,328,019 A *	1/1920	Stewart	40/665
1,407,735 A *	2/1922	Daniel	40/669
2,054,227 A *	9/1936	Nichols	40/665
2,104,755 A *	1/1938	Masino et al.	40/305
2,533,341 A *	12/1950	Alfano	242/388

2,669,047 A	2/1954	Rieger	
3,781,761 A	12/1973	Harwood	
4,539,767 A	9/1985	Jaffe	
4,639,977 A	2/1987	Howard	
4,862,617 A	9/1989	Cooke, Jr. et al.	
5,195,218 A *	3/1993	Joseph et al. 24/129 R
5,336,106 A	8/1994	Osten	
5,943,804 A *	8/1999	Linguist et al. 40/637
7,073,282 B2	7/2006	Savagian et al.	
2005/0204594 A1 *	9/2005	Savagian et al. 40/316

* cited by examiner

Primary Examiner—Janice E Seeger

Assistant Examiner—Mary Ann Calabrese

(57) **CLAIM**

The ornamental design for a tow tag, as shown and described.

DESCRIPTION

FIG. 1 is a perspective view of a tow tag;

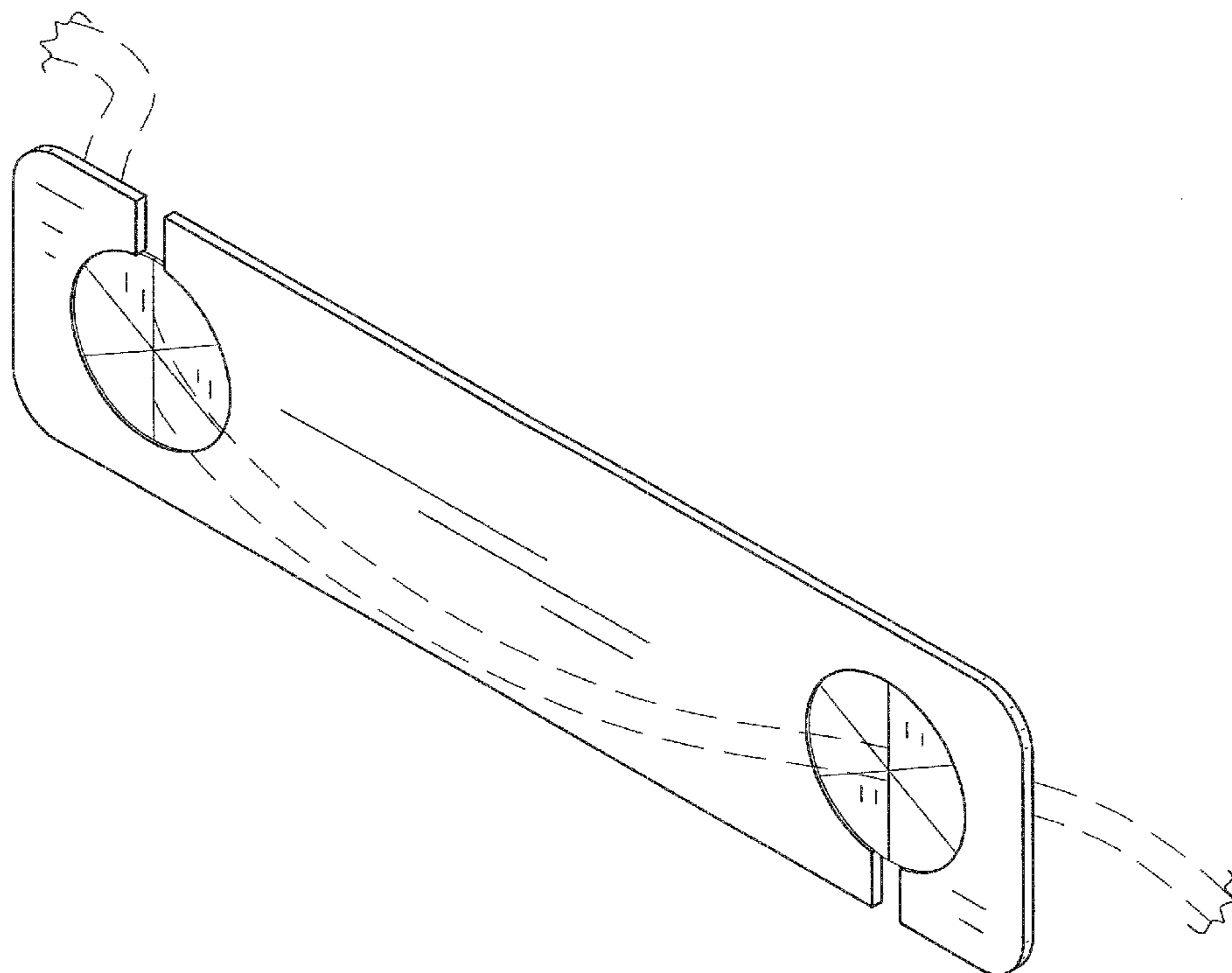
FIG. 2 is a front view thereof;

FIG. 3 is a side view thereof (opposite side is mirror image);
and,

FIG. 4 is a top view thereof.

In FIG. 1, the broken line showing of environmental structure for purposes of illustrating the tow tag in a condition of use. The broken lines and the structure they depict form no part of the claimed design.

1 Claim, 2 Drawing Sheets



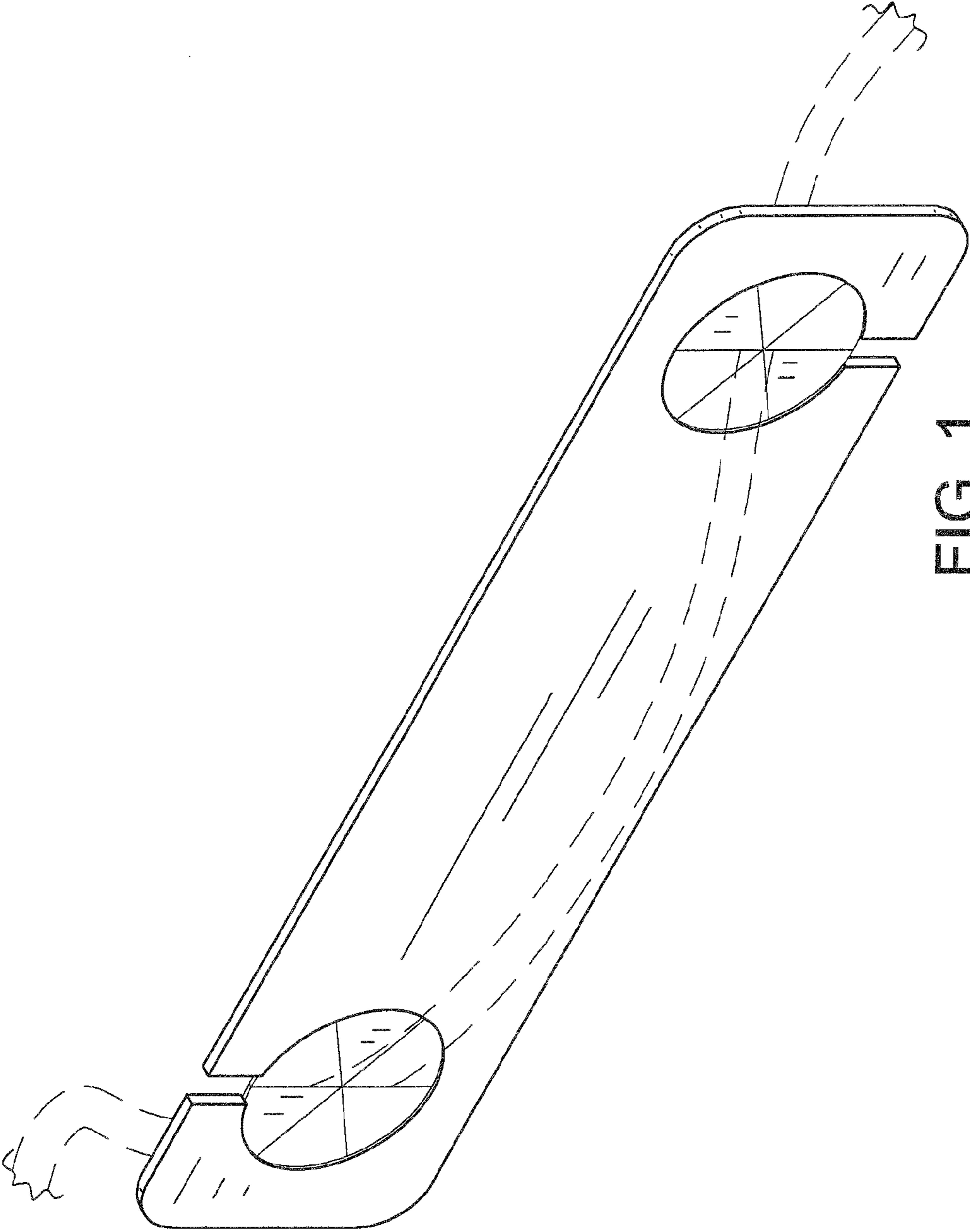


FIG. 1

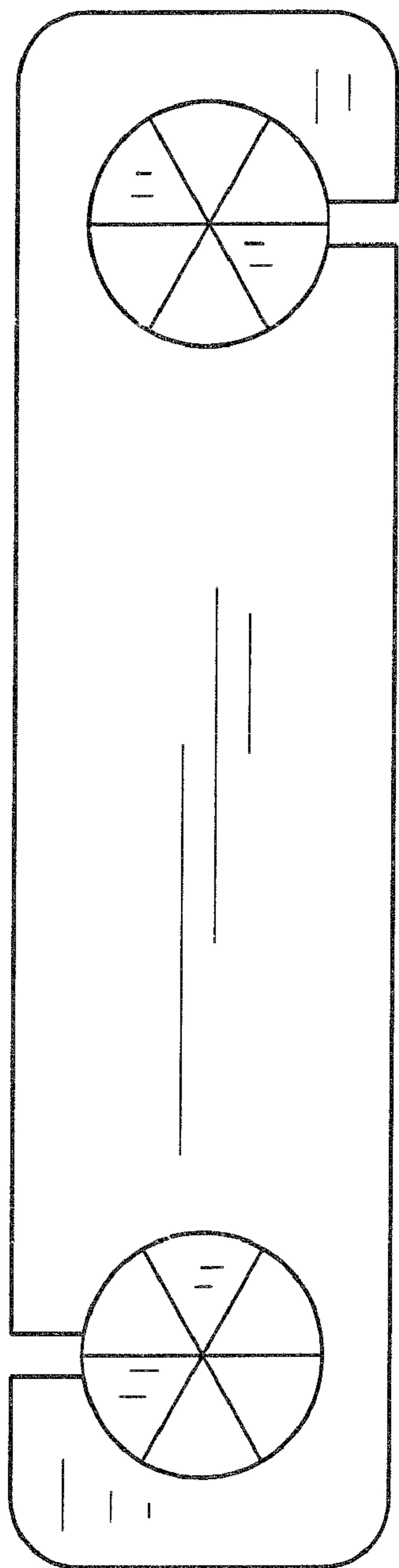


FIG. 2

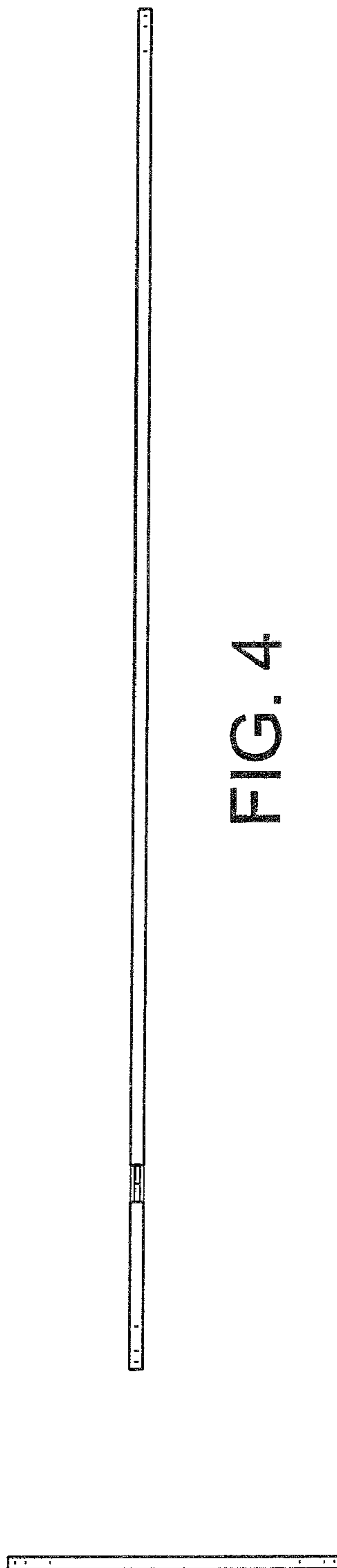


FIG. 4

FIG. 3