



US00D617834S

(12) **United States Design Patent**
Vasconcelos

(10) **Patent No.:** **US D617,834 S**
(45) **Date of Patent:** **** Jun. 15, 2010**

(54) **MEMO BOARD**

(75) Inventor: **Joao Pedro Vasconcelos**, Esmoriz (PT)

(73) Assignee: **Bi-Silque-Artigos Para Casa E
Escritorio, S.A.**, Lugar Da Vinha,
Esmoriz (PT)

(**) Term: **14 Years**

(21) Appl. No.: **29/336,085**

(22) Filed: **May 28, 2009**

Related U.S. Application Data

(60) Continuation of application No. 29/321,018, filed on Jul. 9, 2008, which is a division of application No. 29/284,871, filed on Sep. 17, 2007, now Pat. No. Des. 593,156.

Foreign Application Priority Data

Mar. 16, 2007 (EP) 000689559-0001/02

(51) **LOC (9) Cl.** **19-06**

(52) **U.S. Cl.** **D19/52**

(58) **Field of Classification Search** D6/300-314;
D19/35, 52, 95, 88, 100; D20/10, 19, 40,
D20/42; 40/107, 109, 110, 116, 117, 119,
40/358; 248/346.01, 504; 434/408, 409,
434/415, 421, 422, 425; 428/83; D14/341,
D14/342, 371

See application file for complete search history.

(56) **References Cited**

U.S. PATENT DOCUMENTS

- 1,810,305 A 6/1931 Tracy et al.
- 2,158,368 A 5/1939 Hurt
- 2,193,928 A 3/1940 Johnson
- 2,249,663 A 7/1941 Minnick
- 2,402,717 A 6/1946 Winer
- 2,734,466 A 2/1956 Hammial et al.
- 3,284,273 A 11/1966 Prentice

- D222,882 S 1/1972 Sharer
- D229,641 S 12/1973 Robertson
- D288,746 S 3/1987 Allekotte
- 4,648,189 A 3/1987 Michel
- 4,727,431 A 2/1988 Nakamura et al.
- D298,489 S 11/1988 Sornborger
- D300,642 S 4/1989 Pawlik et al.
- D317,400 S 6/1991 Loew
- 5,035,626 A 7/1991 Persing
- D330,042 S * 10/1992 Yamaguchi et al. D18/36
- 5,176,522 A 1/1993 Robertson, Jr.
- D333,607 S 3/1993 Isler
- D343,865 S 2/1994 Pohl
- 5,301,477 A 4/1994 Rellinger et al.
- 5,305,114 A 4/1994 Egashira et al.
- D356,832 S 3/1995 Maxwell-Trumble et al.
- 5,397,091 A 3/1995 Tsuar
- 5,422,155 A 6/1995 Spence, Jr.
- D371,243 S 7/1996 Diaz
- 5,617,660 A 4/1997 Pollack
- 5,727,952 A 3/1998 Schenck et al.

(Continued)

Primary Examiner—Elizabeth A Albert
(74) *Attorney, Agent, or Firm*—Pearl Cohen Zedek Latzer, LLP

(57) **CLAIM**

The ornamental design for a memo board, as shown and described.

DESCRIPTION

FIG. 1 is a top, front, left side perspective view of the memo board;

FIG. 2 is front view thereof;

FIG. 3 is back view thereof;

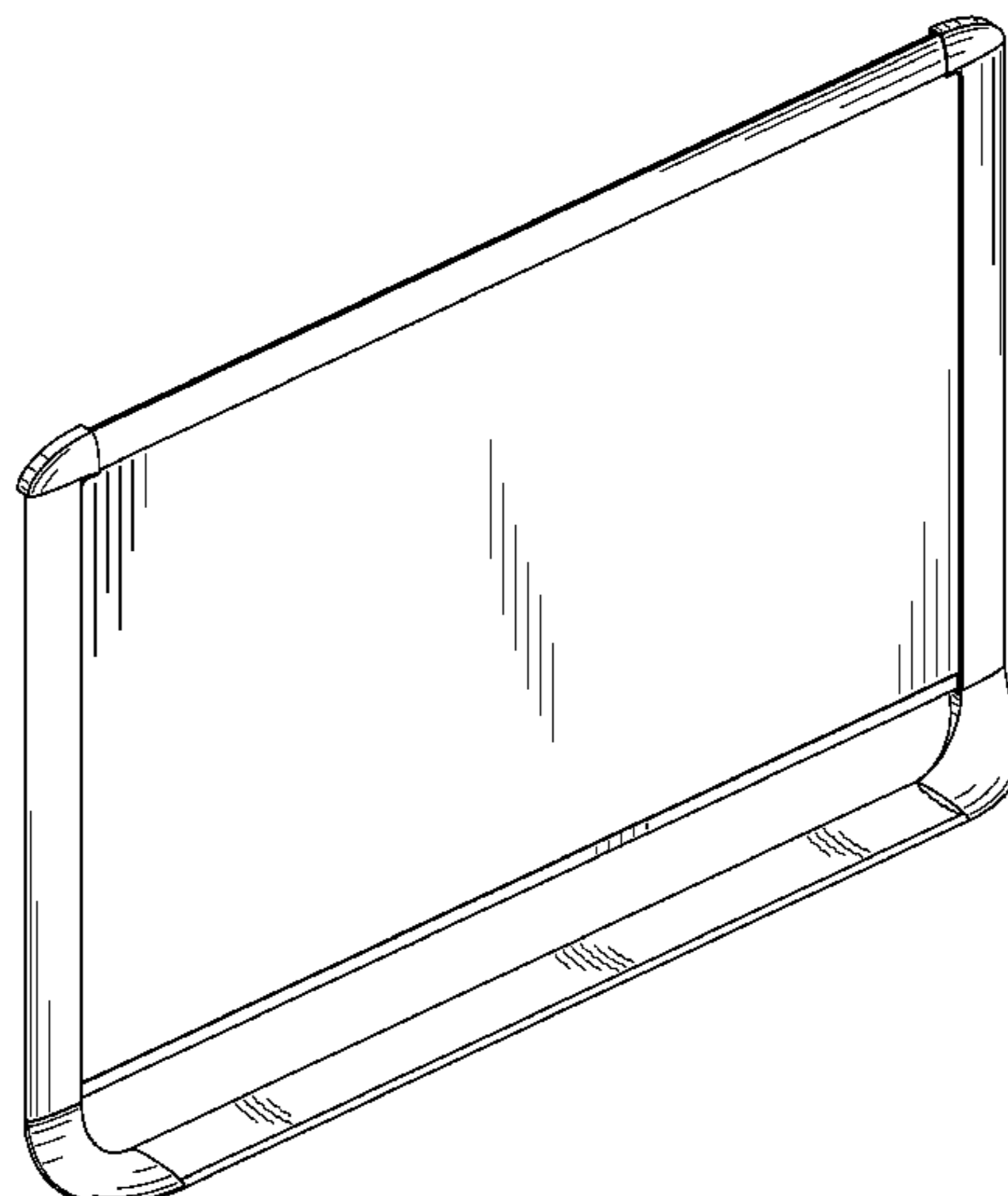
FIG. 4 is a bottom view thereof;

FIG. 5 is a top view thereof;

FIG. 6 is a right side view thereof; and,

FIG. 7 is left side view thereof.

1 Claim, 4 Drawing Sheets



US D617,834 S

Page 2

U.S. PATENT DOCUMENTS

D396,065 S	7/1998	Johnson et al.	D506,074 S	6/2005	Chen et al.
D410,250 S	5/1999	Robertson, Jr.	D507,302 S	7/2005	Chen et al.
D413,146 S	8/1999	Moore	D511,780 S	11/2005	Korpai
6,007,891 A	12/1999	Davis et al.	D560,917 S	2/2008	Fields
D429,994 S	8/2000	Ziegler	D562,040 S	2/2008	Browne et al.
D435,593 S	12/2000	Hellwig et al.	D562,589 S	2/2008	Mellon
D443,655 S	6/2001	Chaikel et al.	D568,644 S	5/2008	Browne et al.
D459,756 S *	7/2002	Lio et al. D19/52	D590,018 S *	4/2009	Nash et al. D19/52
D480,428 S	10/2003	Robertson, Jr.	D591,290 S *	4/2009	Park et al. D14/371
D494,971 S *	8/2004	Jobs et al. D14/371	2005/0191611 A1	9/2005	Owen et al.
D495,331 S *	8/2004	Liu et al. D14/371	2006/0097989 A1	5/2006	Ho
D496,068 S	9/2004	Mandel	2008/0151314 A1	6/2008	Nishiie

* cited by examiner

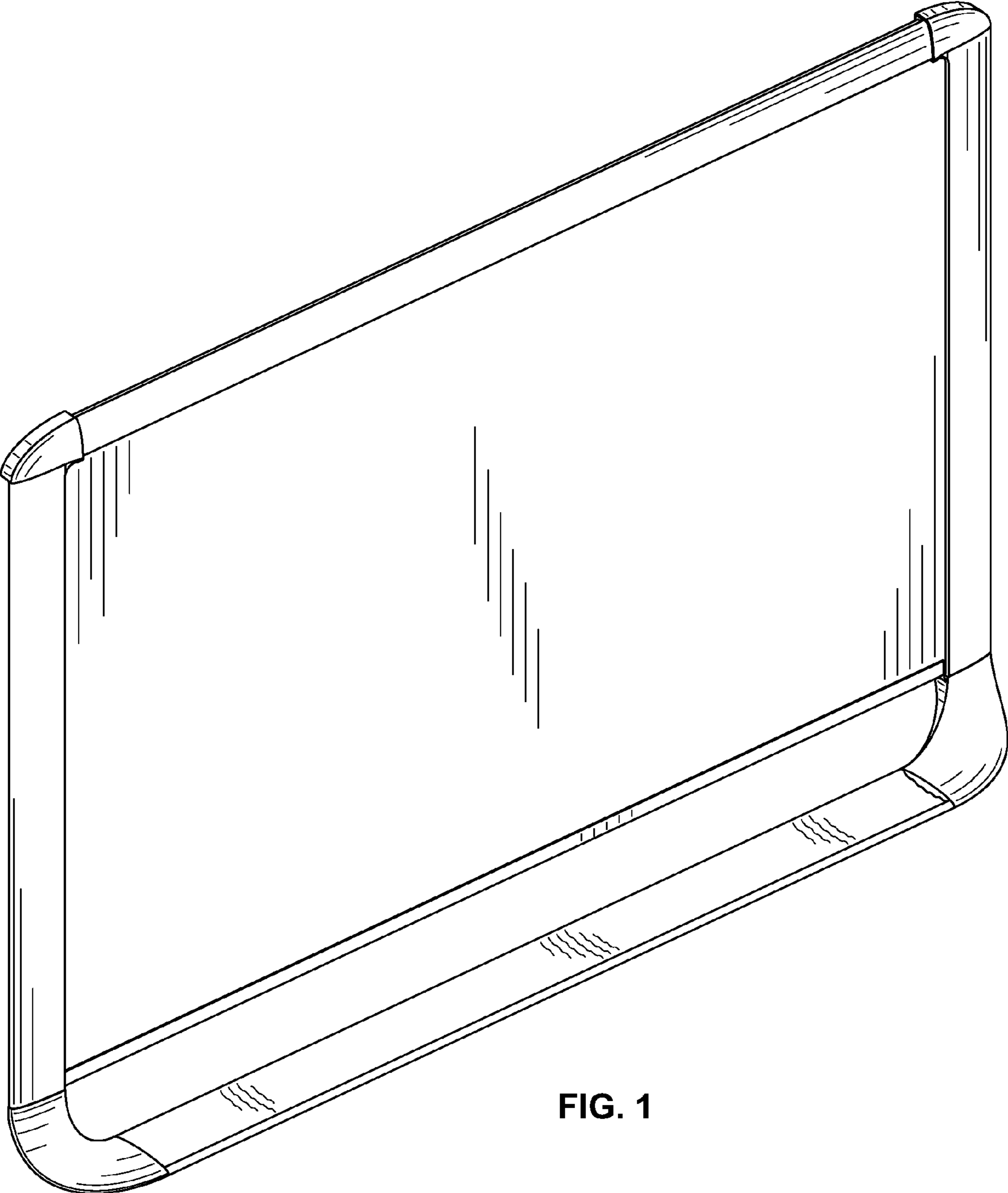


FIG. 1

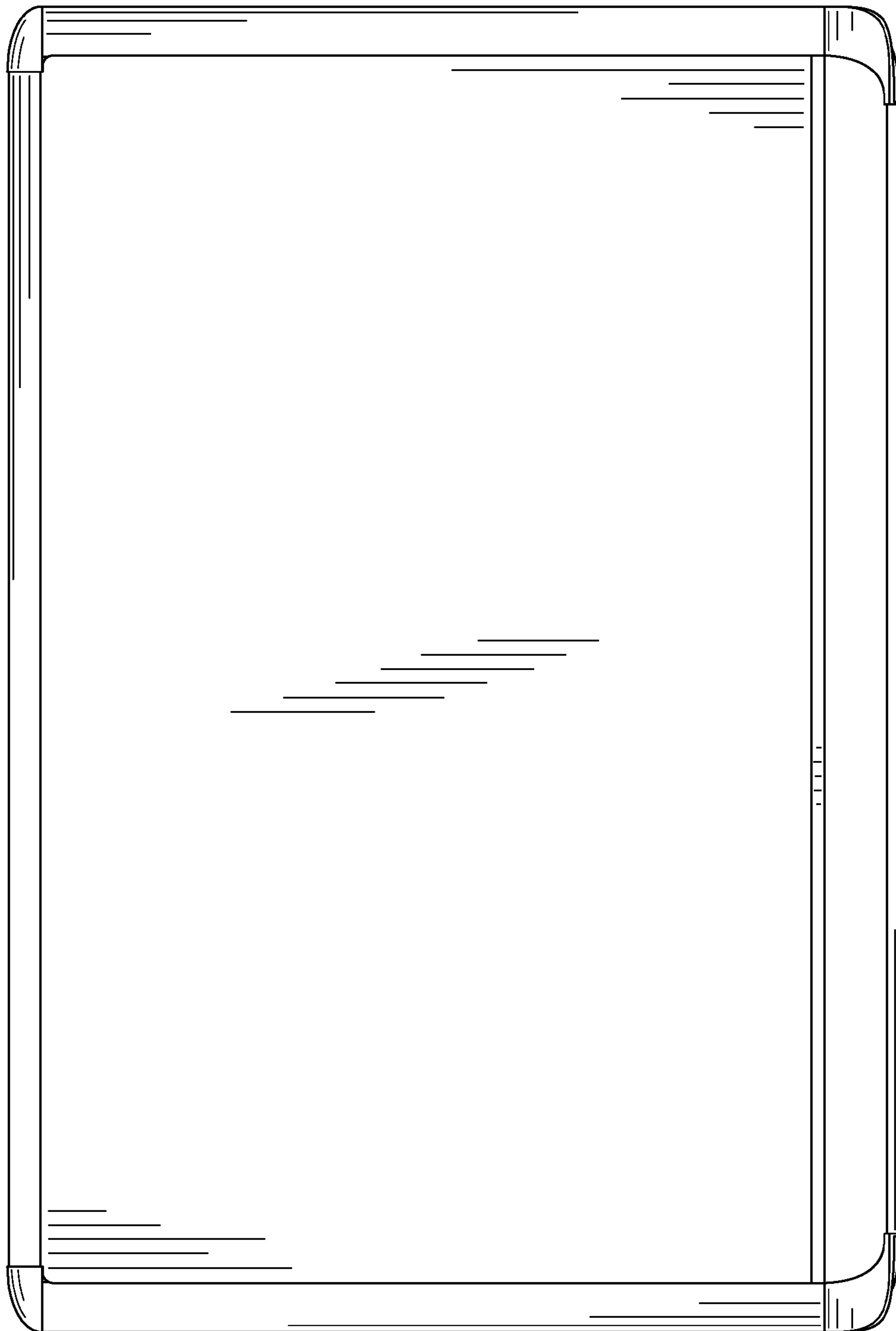


FIG. 2

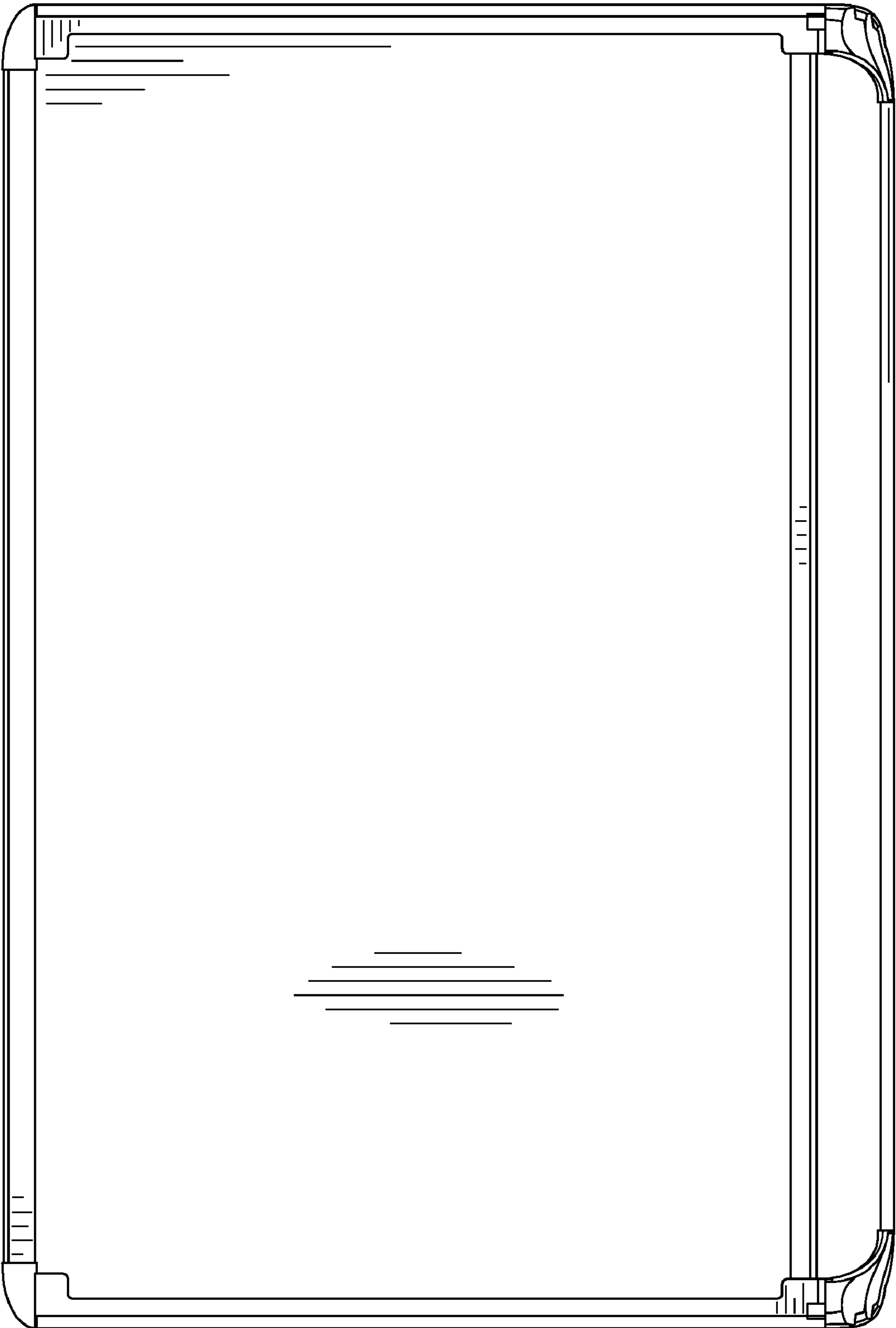


FIG. 3



FIG. 7



FIG. 6

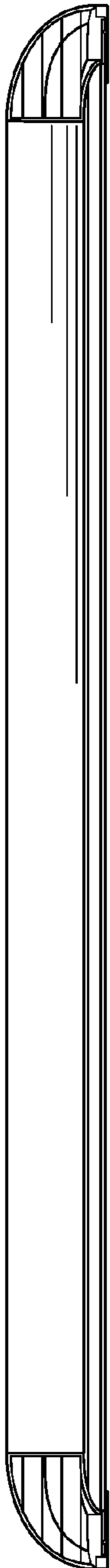


FIG. 4

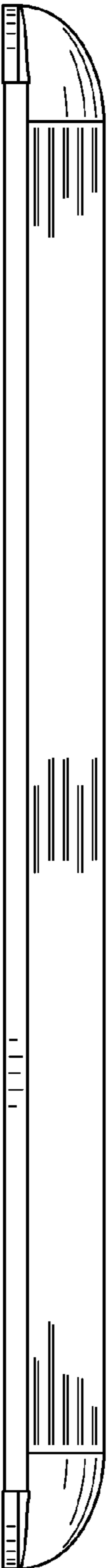


FIG. 5