



US00D617832S

(12) **United States Design Patent**
Scroggins

(10) **Patent No.:** **US D617,832 S**
(45) **Date of Patent:** **** Jun. 15, 2010**

(54) **JOURNAL WITH ELASTIC CLOSURE**

(75) Inventor: **Lori Scroggins**, Odgen Dunes, IN (US)

(73) Assignee: **Royal Consumer Products, LLC**,
Norwalk, CT (US)

(**) Term: **14 Years**

(21) Appl. No.: **29/342,868**

(22) Filed: **Sep. 2, 2009**

(51) **LOC (9) Cl.** **19-04**

(52) **U.S. Cl.** **D19/27**

(58) **Field of Classification Search** D6/626,
D6/632, 407; D3/303, 301; D19/27, 26,
D19/90, 30, 31, 88; D9/423; 402/73, 57,
402/79; 281/37, 31, 4, 29, 27.2, 33; D14/493
See application file for complete search history.

(56) **References Cited**

U.S. PATENT DOCUMENTS

2,081,873	A *	5/1937	Larsen	281/33
2,081,875	A *	5/1937	Ross	281/33
2,193,348	A *	3/1940	Schade	281/27.2
2,244,246	A *	6/1941	Esterly	281/20
2,299,715	A *	10/1942	Tauber	281/27.1
3,858,909	A *	1/1975	Friedman	283/42
4,907,905	A *	3/1990	Fournier	402/80 R
6,203,230	B1 *	3/2001	Whang	402/57
D463,487	S *	9/2002	Savoy	D19/27
D495,361	S *	8/2004	Cowie et al.	D19/27
6,932,534	B2 *	8/2005	O'Hara	402/73
D560,718	S *	1/2008	King et al.	D19/20

7,393,017	B2 *	7/2008	Carmichael et al.	281/15.1
D586,852	S *	2/2009	Porcano et al.	D19/27
2003/0210949	A1 *	11/2003	Tims	402/73
2004/0253045	A1 *	12/2004	Walley et al.	402/57
2007/0297848	A1 *	12/2007	Girard	402/60

* cited by examiner

Primary Examiner—Cathron C Brooks

Assistant Examiner—Austin Murphy

(74) *Attorney, Agent, or Firm*—Fish & Richardson P.C.

(57) **CLAIM**

The ornamental design for a journal with elastic closure, substantially as shown and described.

DESCRIPTION

FIG. 1 is a perspective view of a journal with elastic closure of the design.

FIG. 2 is a front plan view of the journal with elastic closure design of FIG. 1.

FIG. 3 is a rear plan view of the journal with elastic closure design of FIG. 1.

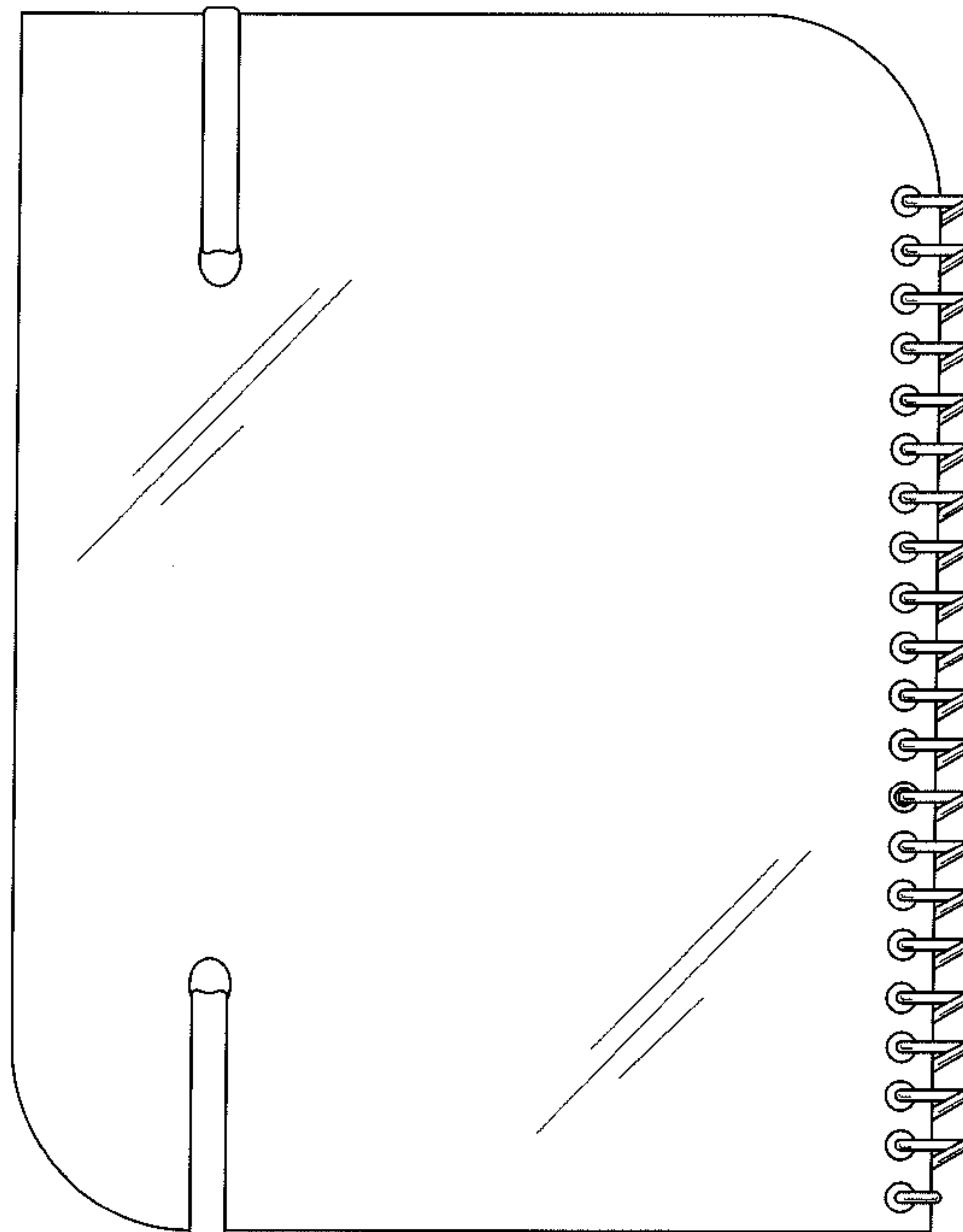
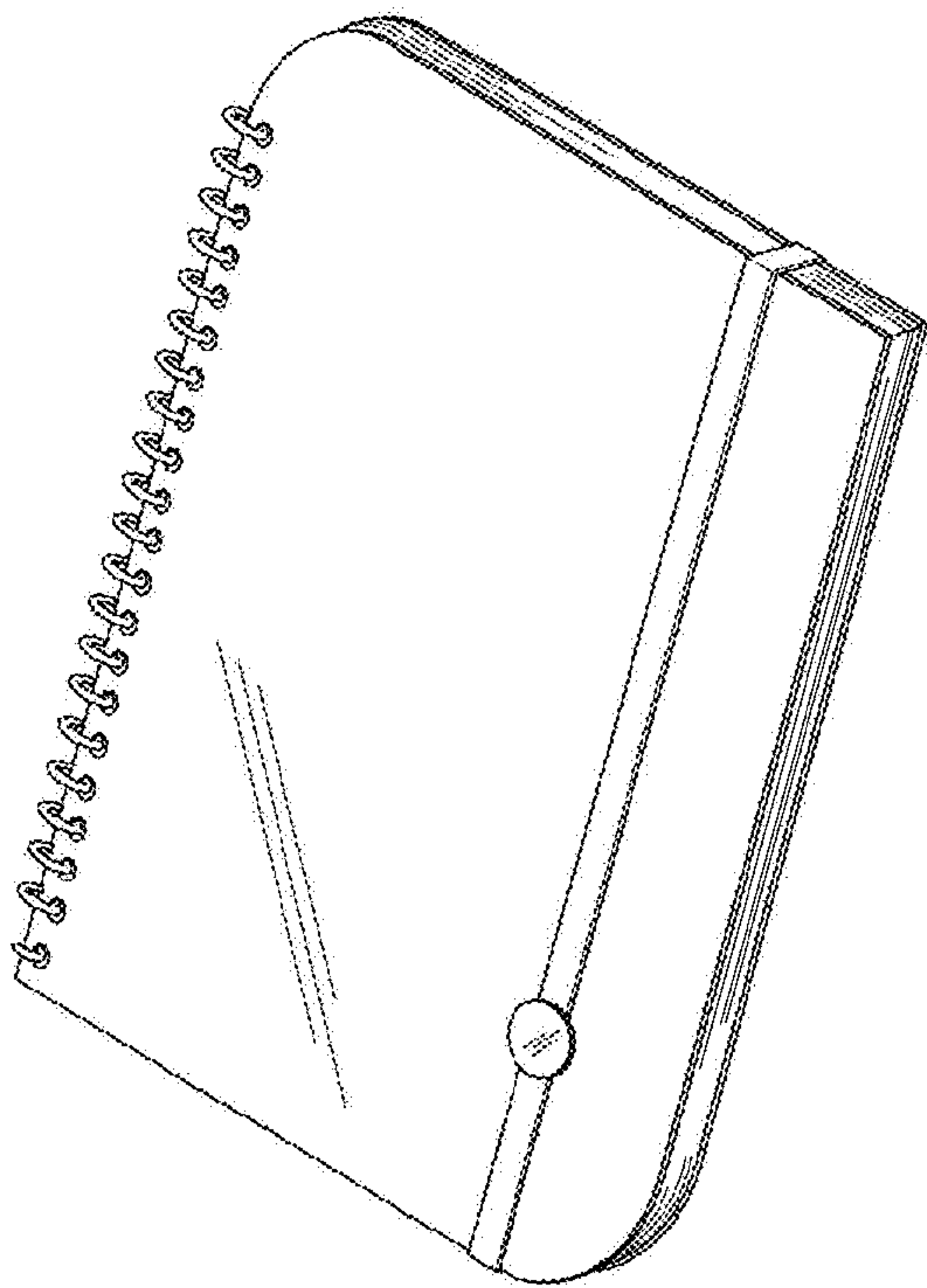
FIG. 4 is a top view of the journal with elastic closure design of FIG. 1.

FIG. 5 is a bottom view of the journal with elastic closure design of FIG. 1.

FIG. 6 is a first side view of the journal with elastic closure design of FIG. 1; and,

FIG. 7 is an opposite, second side view of the journal with elastic closure design of FIG. 1.

1 Claim, 5 Drawing Sheets



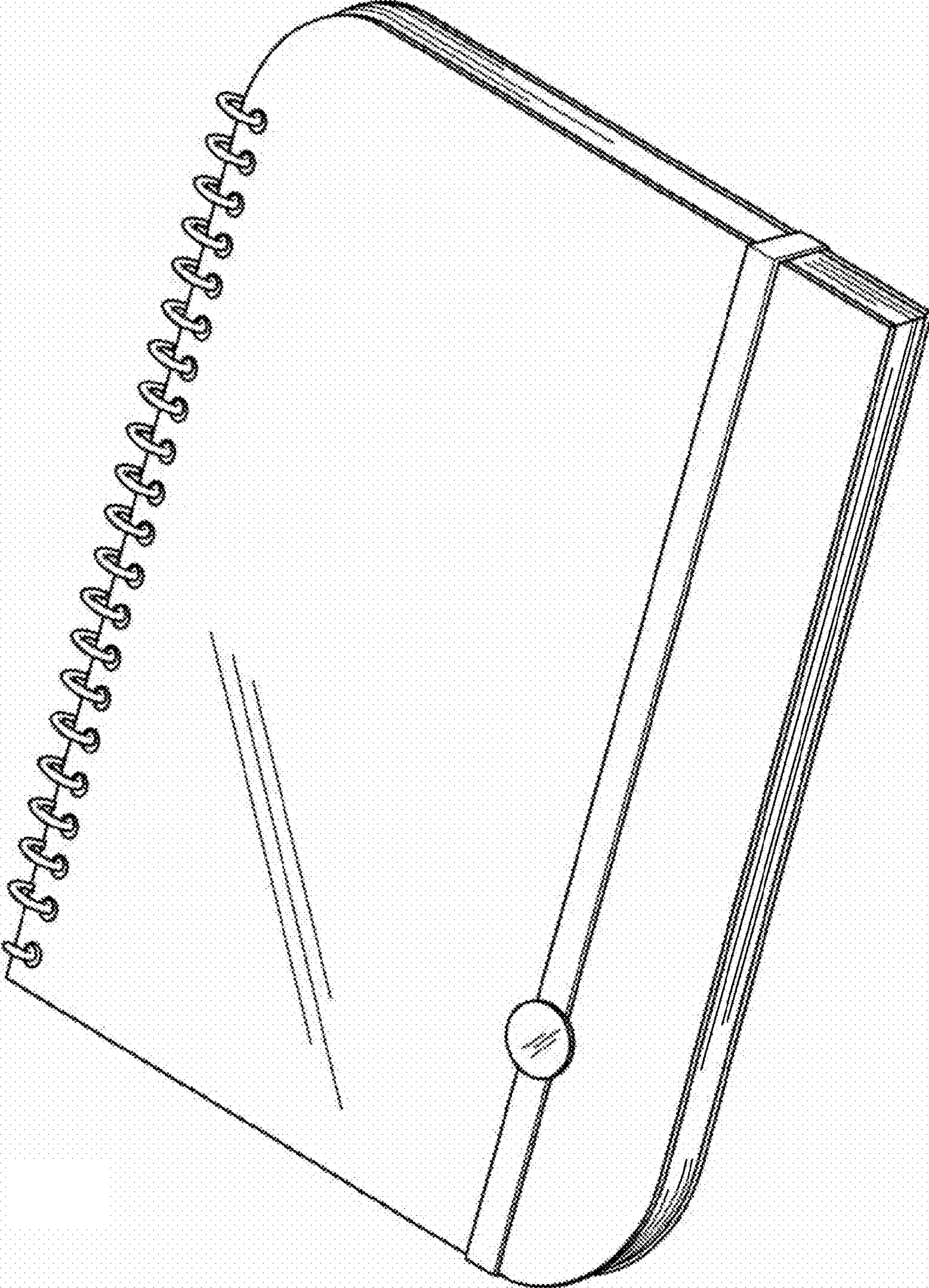


FIG. 1

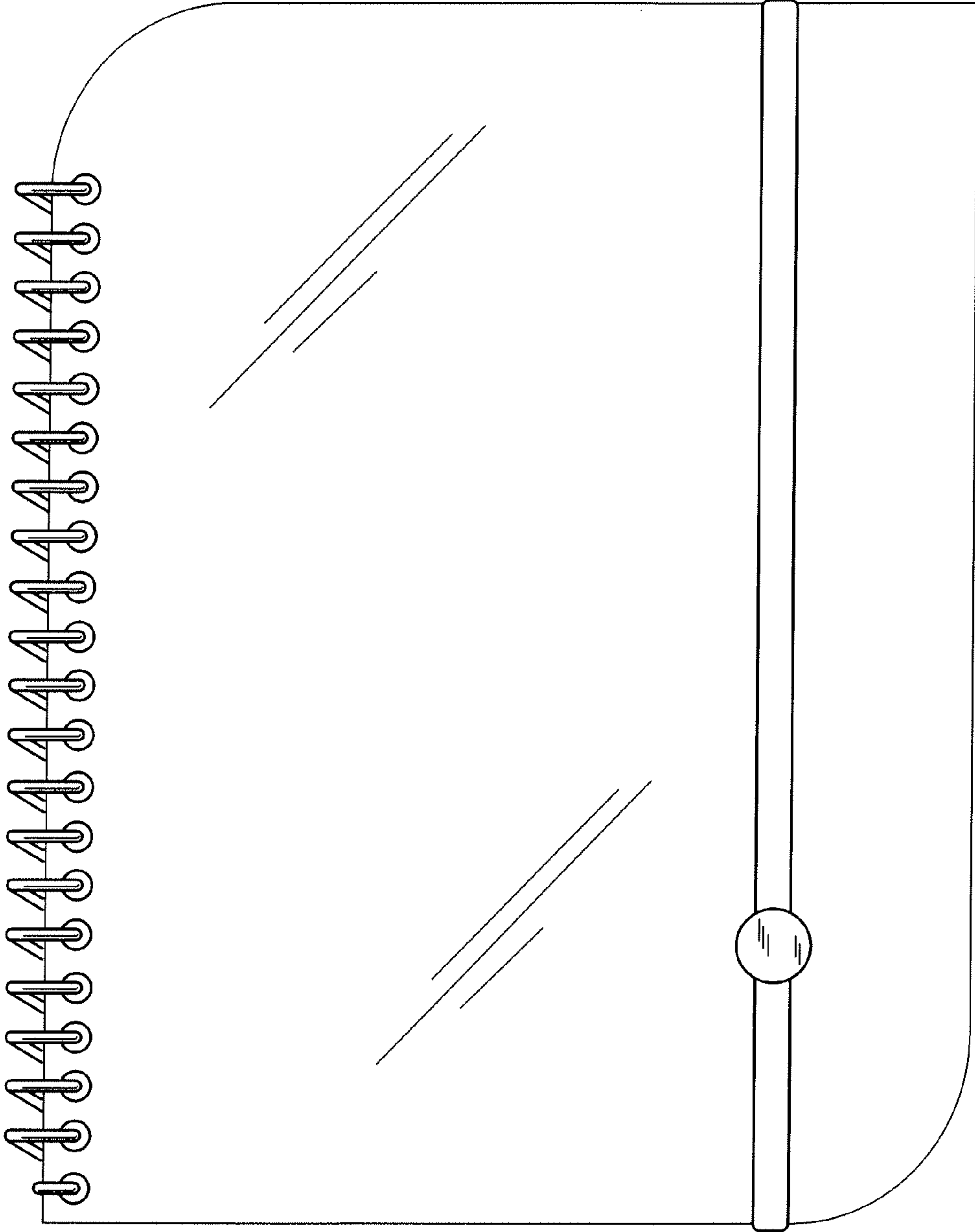


FIG. 2

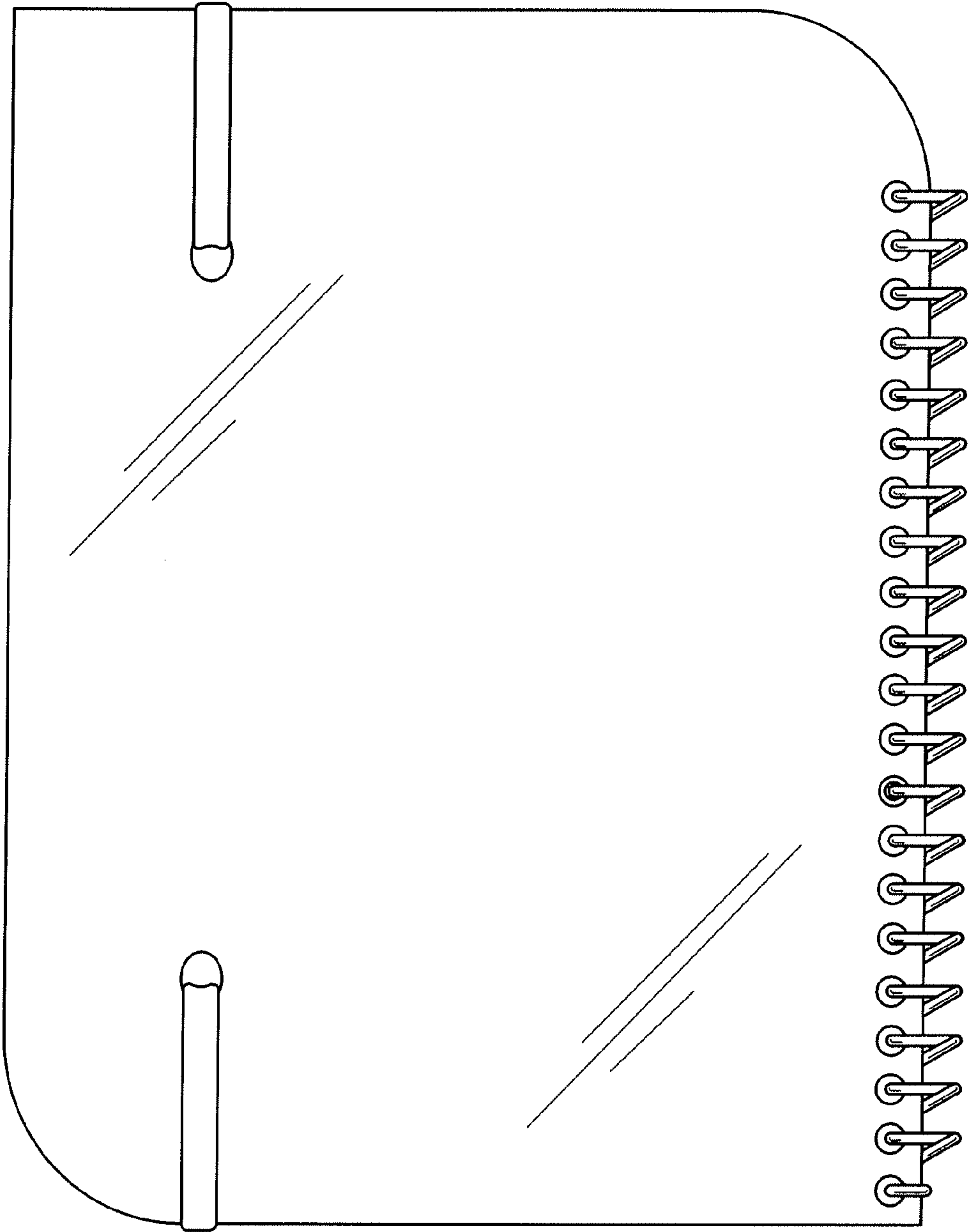


FIG. 3

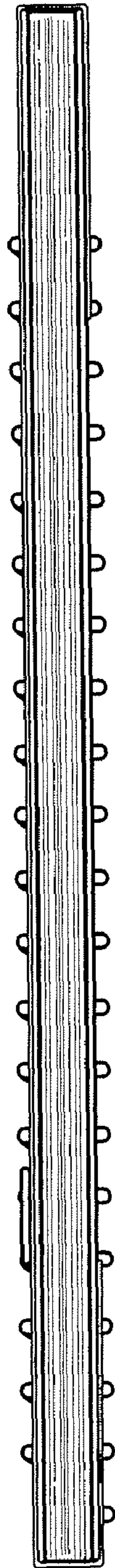


FIG. 4

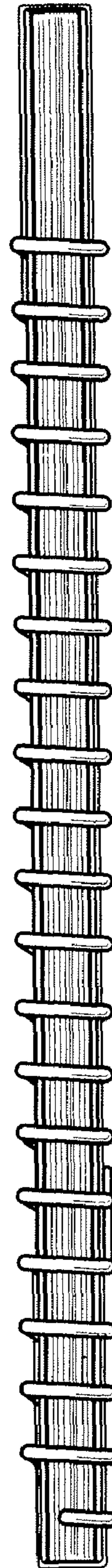


FIG. 5

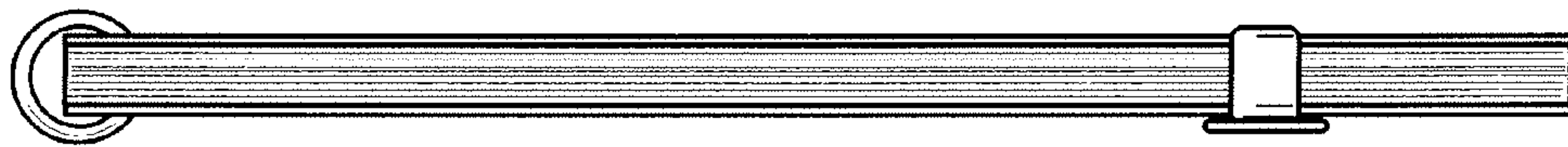


FIG. 6

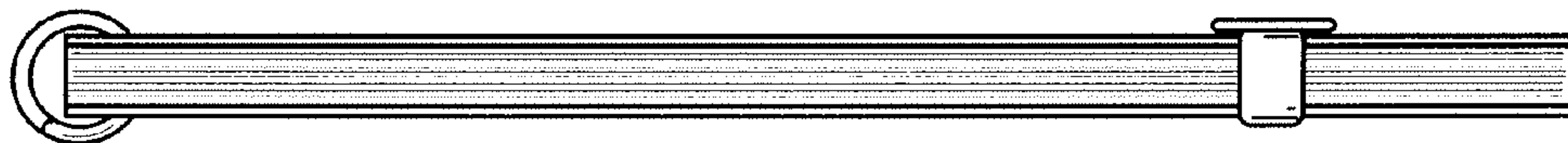


FIG. 7