



US00D617823S

(12) **United States Design Patent**
Hale

(10) **Patent No.:** **US D617,823 S**
(45) **Date of Patent:** **** Jun. 15, 2010**

(54) **VERTICAL MULTIMEDIA PROJECTOR**

(76) Inventor: **Theodis T. Hale**, Box 108, 7590 Martin Loop, Ft. Benning, GA (US) 31905

(**) Term: **14 Years**

(21) Appl. No.: **29/343,226**

(22) Filed: **Sep. 9, 2009**

(51) **LOC (9) Cl.** **16-02**

(52) **U.S. Cl.** **D16/225**

(58) **Field of Classification Search** D16/200-203, D16/205, 208, 213-214, 221, 225, 227, 230-231, D16/234; D14/128-130, 134, 138 G; D21/514; 348/744; 352/34, 242-243; 353/39, 115, 353/119, 122; D20/10, 17, 39, 40-43; D26/34, D26/63, 106; D10/104, 109, 114; D25/42-43; 362/269, 287, 418, 431; 40/605, 606.01, 40/606.03, 611.02

See application file for complete search history.

(56) **References Cited**

U.S. PATENT DOCUMENTS

D333,529	S *	2/1993	Denison et al.	D26/63
D375,970	S	11/1996	Harata		
5,847,748	A	12/1998	Laughlin		
D423,491	S *	4/2000	Harris et al.	D14/130
D449,634	S *	10/2001	Gotham et al.	D16/225
D449,635	S *	10/2001	Gotham et al.	D16/225
D449,636	S	10/2001	Gotham et al.		
D451,146	S *	11/2001	Burton et al.	D20/10
D456,831	S *	5/2002	Mori et al.	D16/225
6,695,452	B2 *	2/2004	Panasewicz et al.	353/119

D487,903	S *	3/2004	Panasewicz et al.	D16/225
6,793,347	B2	9/2004	Morishita		
D506,216	S *	6/2005	Langlois	D16/221
6,950,083	B1	9/2005	Lee		
D518,081	S	3/2006	Peard et al.		
7,018,053	B2 *	3/2006	Dwyer et al.	353/119
7,104,656	B2	9/2006	Dwyer et al.		
D548,763	S *	8/2007	Boris	D16/202
D554,685	S *	11/2007	Ishikawa	D16/221
7,320,520	B2	1/2008	Johnson		
RE41,050	E *	12/2009	Panasewicz et al.	353/119
2004/0010805	A1	1/2004	Dvir et al.		
2007/0070308	A1	3/2007	Chen		

* cited by examiner

Primary Examiner—Ian Simmons
Assistant Examiner—Wan Laymon

(57) **CLAIM**

The ornamental design for a vertical multimedia projector, as shown and described.

DESCRIPTION

FIG. 1 is a perspective view of a vertical multimedia projector showing my new design;

FIG. 2 is a front view thereof;

FIG. 3 is a back view thereof;

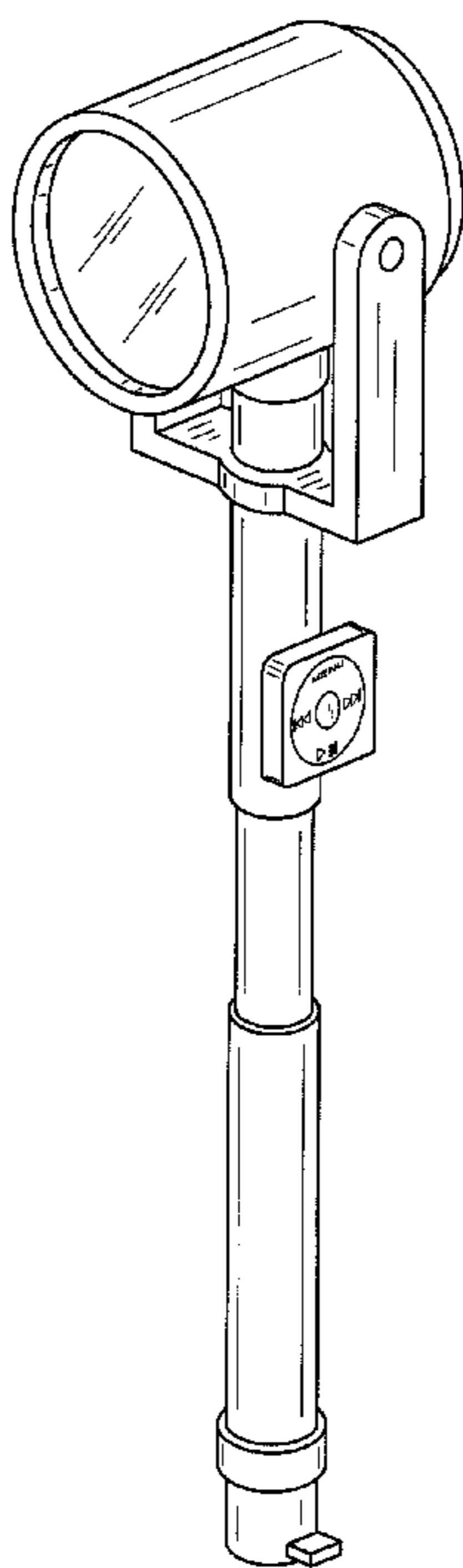
FIG. 4 is a side view thereof

FIG. 5 is an opposite side view thereof;

FIG. 6 is a top view thereof; and,

FIG. 7 is a bottom view thereof.

1 Claim, 4 Drawing Sheets



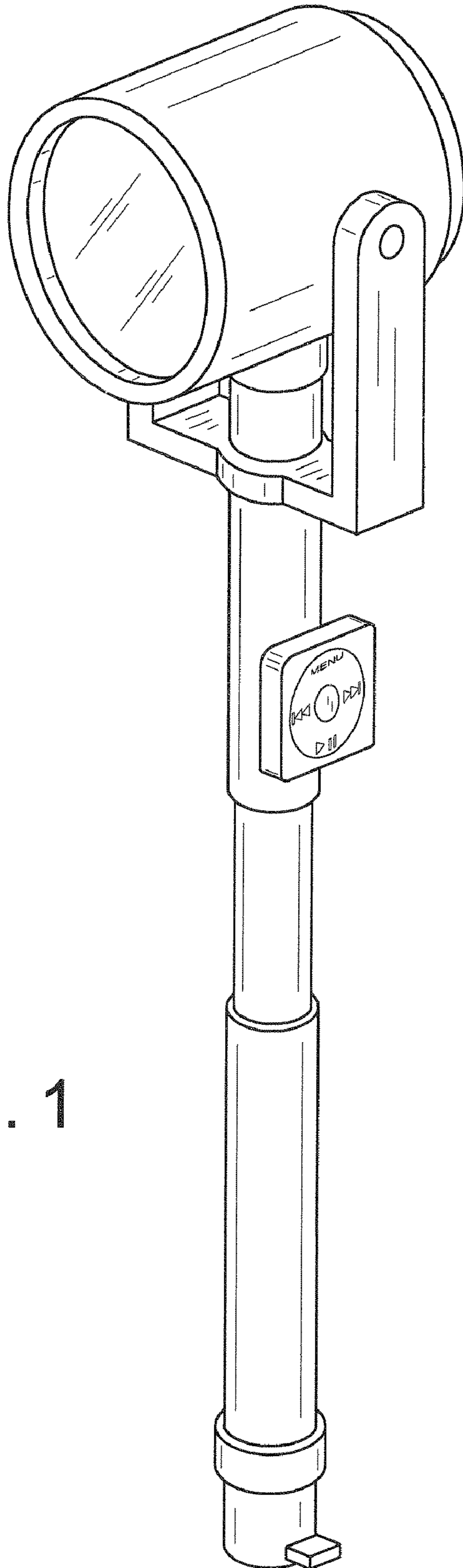


FIG. 1

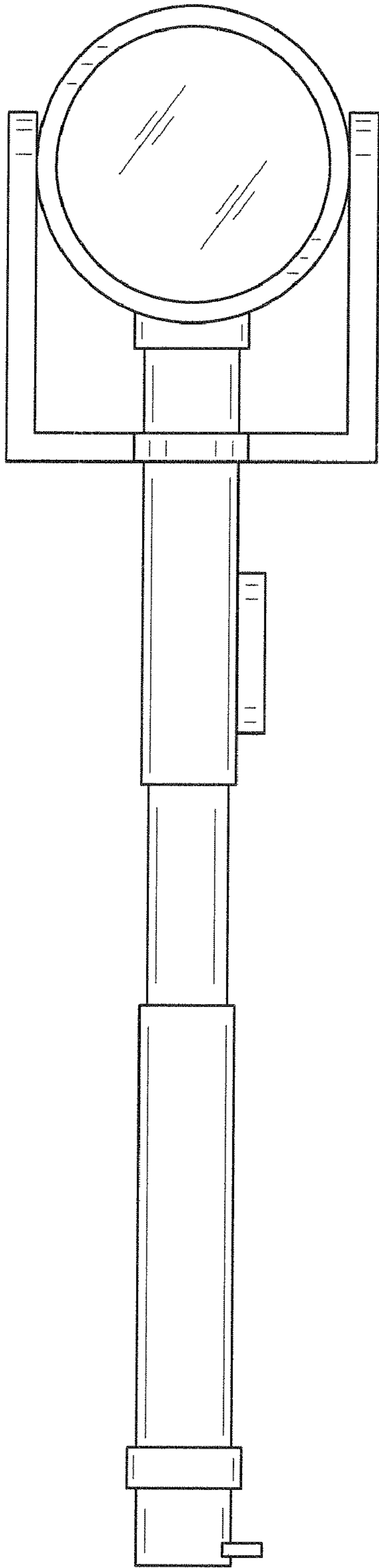


FIG. 2

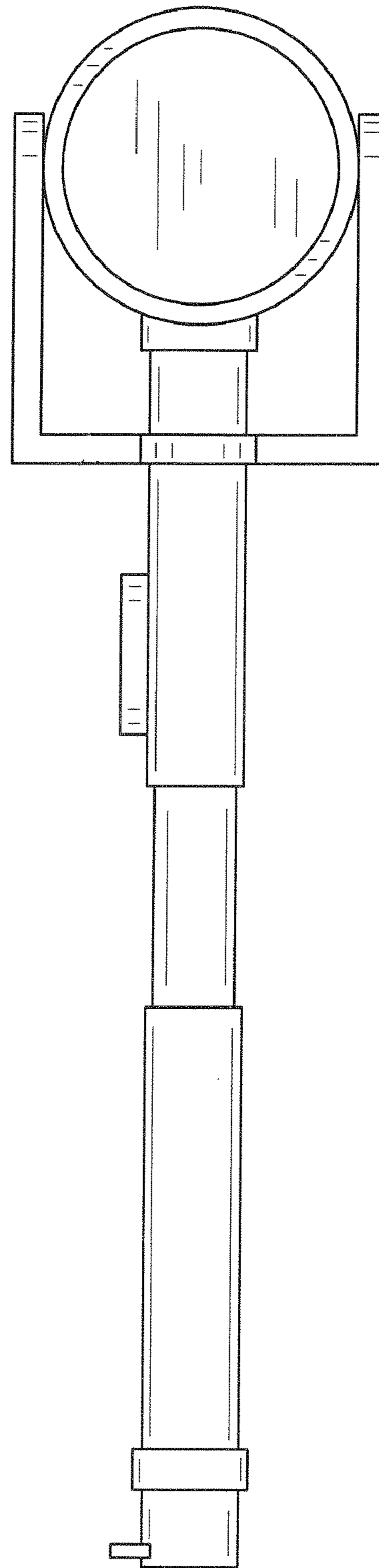


FIG. 3

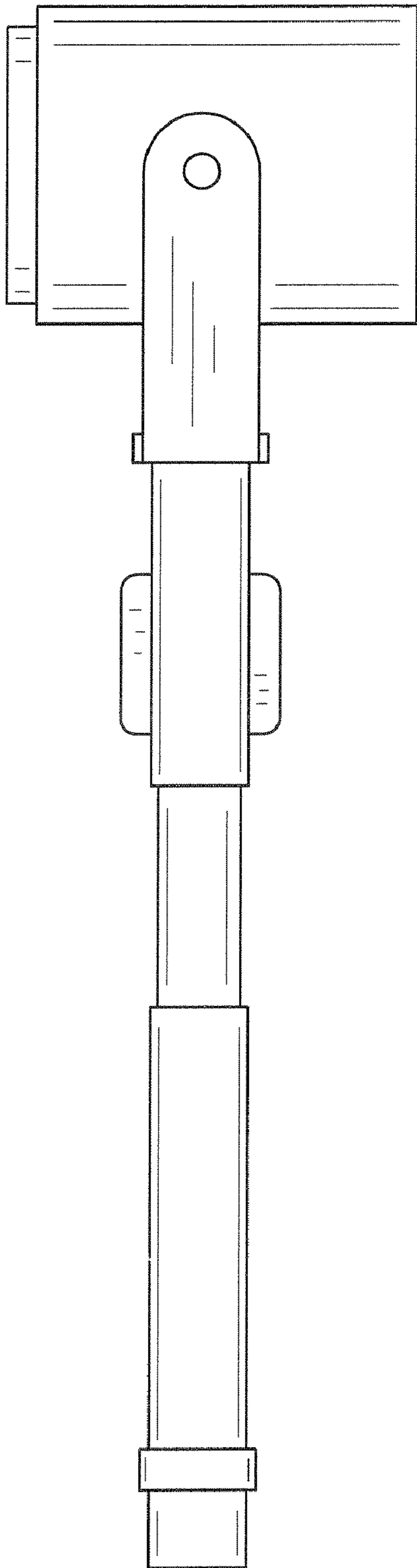


FIG. 4

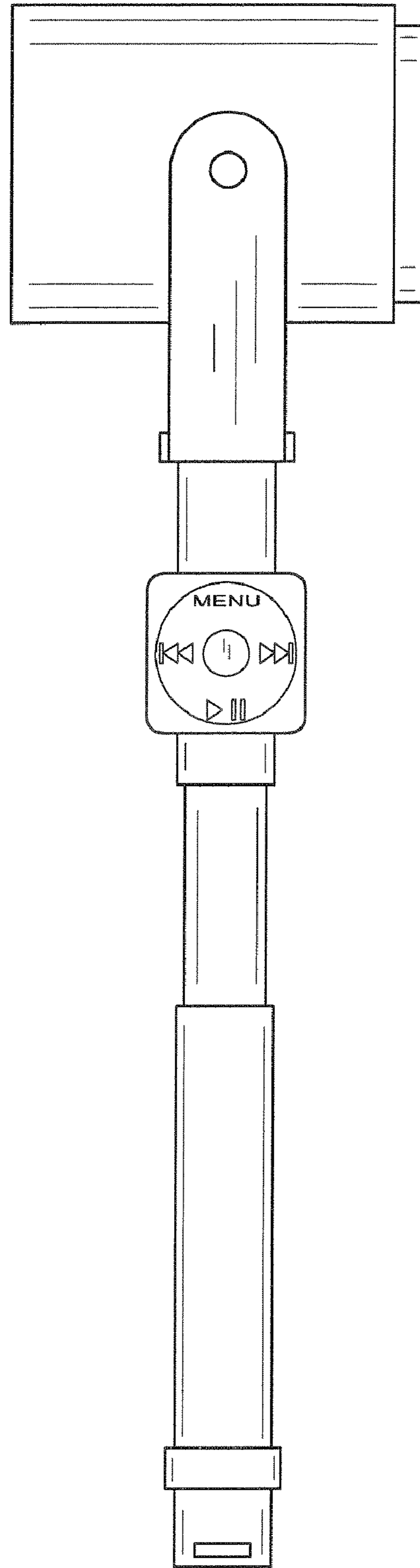


FIG. 5

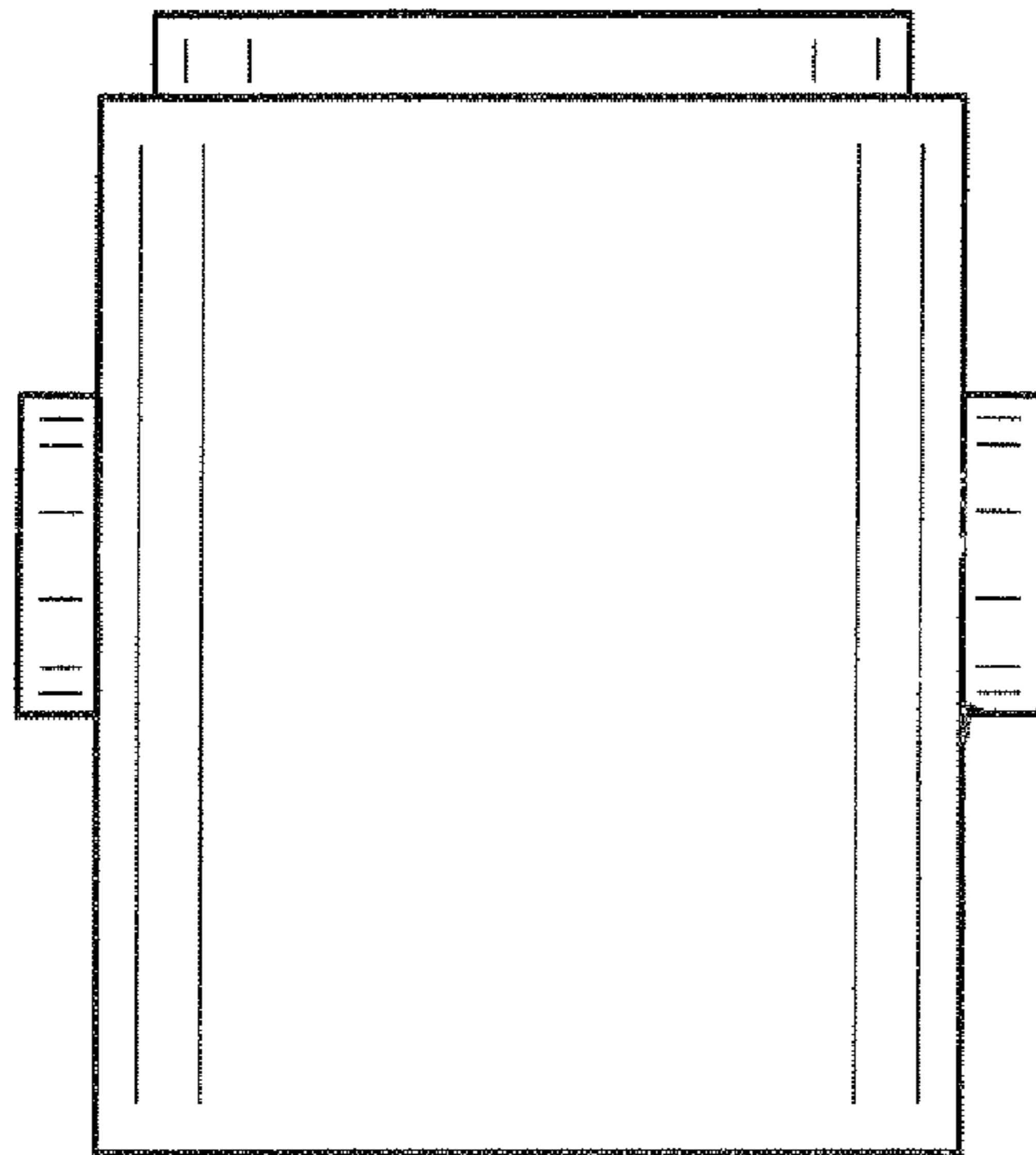


FIG. 6

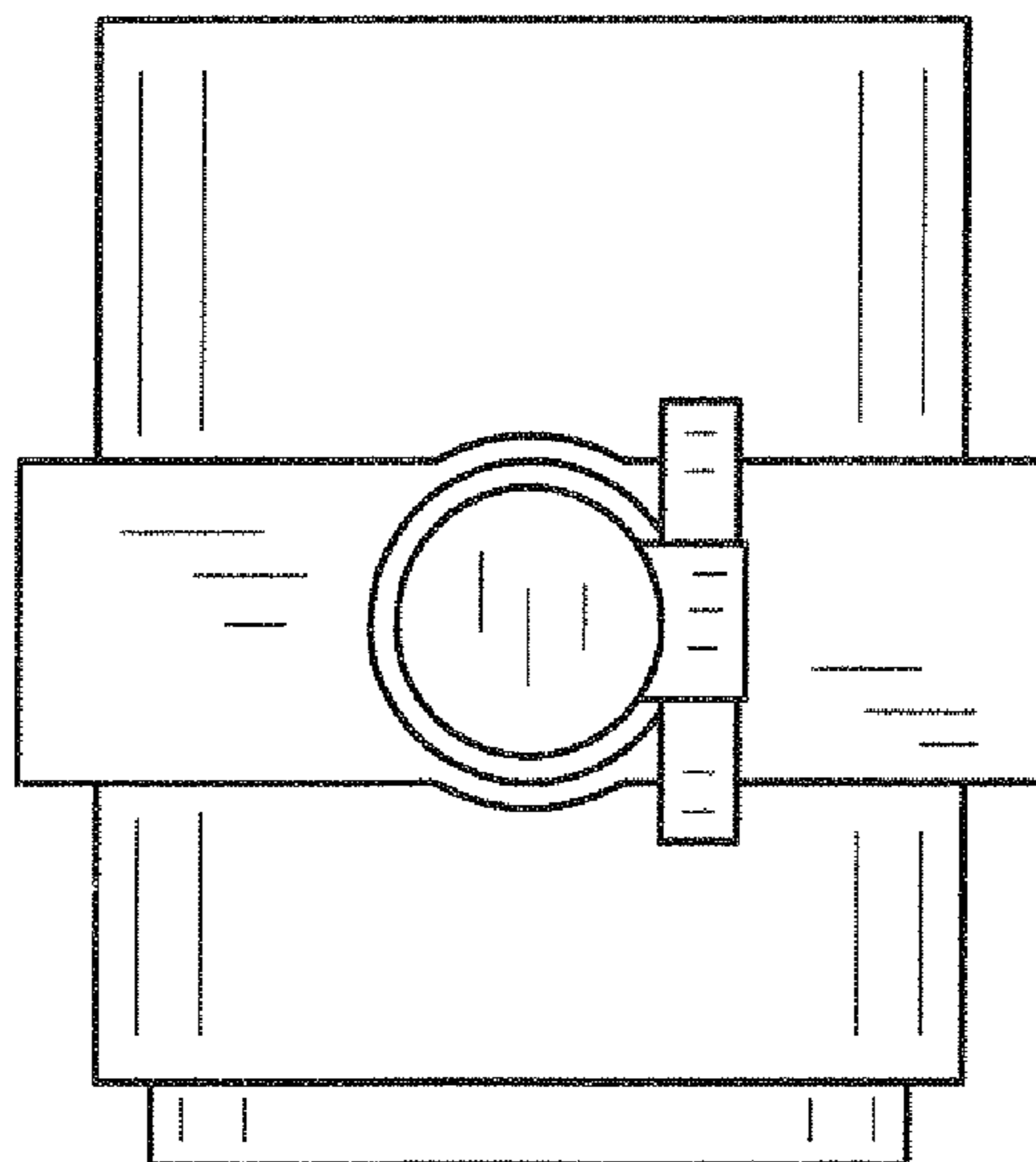


FIG. 7