



US00D617818S

(12) **United States Design Patent**  
**Baratta**

(10) **Patent No.:** **US D617,818 S**  
(45) **Date of Patent:** **\*\* Jun. 15, 2010**

(54) **DRILL STAND**

(75) Inventor: **Anthony Baratta**, Oak Park, CA (US)

(73) Assignee: **Husqvarna Professional Outdoor Products, Inc.**, Charlotte, NC (US)

(\*\*) Term: **14 Years**

(21) Appl. No.: **29/299,852**

(22) Filed: **Jan. 4, 2008**

(51) **LOC (9) Cl.** ..... **15-09**

(52) **U.S. Cl.** ..... **D15/132**

(58) **Field of Classification Search** ..... D8/61,  
D8/70, 71; D15/132, 140; 175/20, 202,  
175/203, 220; 408/9, 12, 16, 17, 75, 76,  
408/87, 90, 129, 132, 135, 204, 214 S, 234,  
408/235, 236, 710, 712

See application file for complete search history.

(56) **References Cited**

**U.S. PATENT DOCUMENTS**

3,837,757	A *	9/1974	Levine	.....	408/14
D392,534	S *	3/1998	Degen et al.	.....	D15/132
5,765,273	A *	6/1998	Mora et al.	.....	29/560
5,954,460	A *	9/1999	Degen et al.	.....	408/112
D414,669	S *	10/1999	Howard	.....	D15/140
6,692,201	B2 *	2/2004	Soderman	.....	408/111
D497,622	S *	10/2004	Theising et al.	.....	D15/134
2004/0151552	A1 *	8/2004	Baratta	.....	408/135
2007/0217879	A1 *	9/2007	Larsson	.....	408/129

\* cited by examiner

*Primary Examiner*—Sandra Snapp

*Assistant Examiner*—Patricia Palasik

(74) *Attorney, Agent, or Firm*—Novak Druce + Quigg LLP

(57) **CLAIM**

We claim the ornamental design for a drill stand, as shown and described.

**DESCRIPTION**

FIG. 1 is a left front isometric view of a first embodiment of a drill stand;

FIG. 2 is a left elevational view of the first embodiment of the drill stand;

FIG. 3 is a right elevational view of the first embodiment of the drill stand;

FIG. 4 is a front elevational view of the first embodiment of the drill stand;

FIG. 5 is a back elevational view of the first embodiment of the drill stand;

FIG. 6 is a bottom plan view of the first embodiment of the drill stand;

FIG. 7 is a top plan view of the first embodiment of the drill stand;

FIG. 8 is a right front isometric view of a second embodiment of the drill stand;

FIG. 9 is a left elevational view of a second embodiment of the drill stand;

FIG. 10 is a right elevational view of a second embodiment of the drill stand;

FIG. 11 is a front elevational view of a second embodiment of the drill stand;

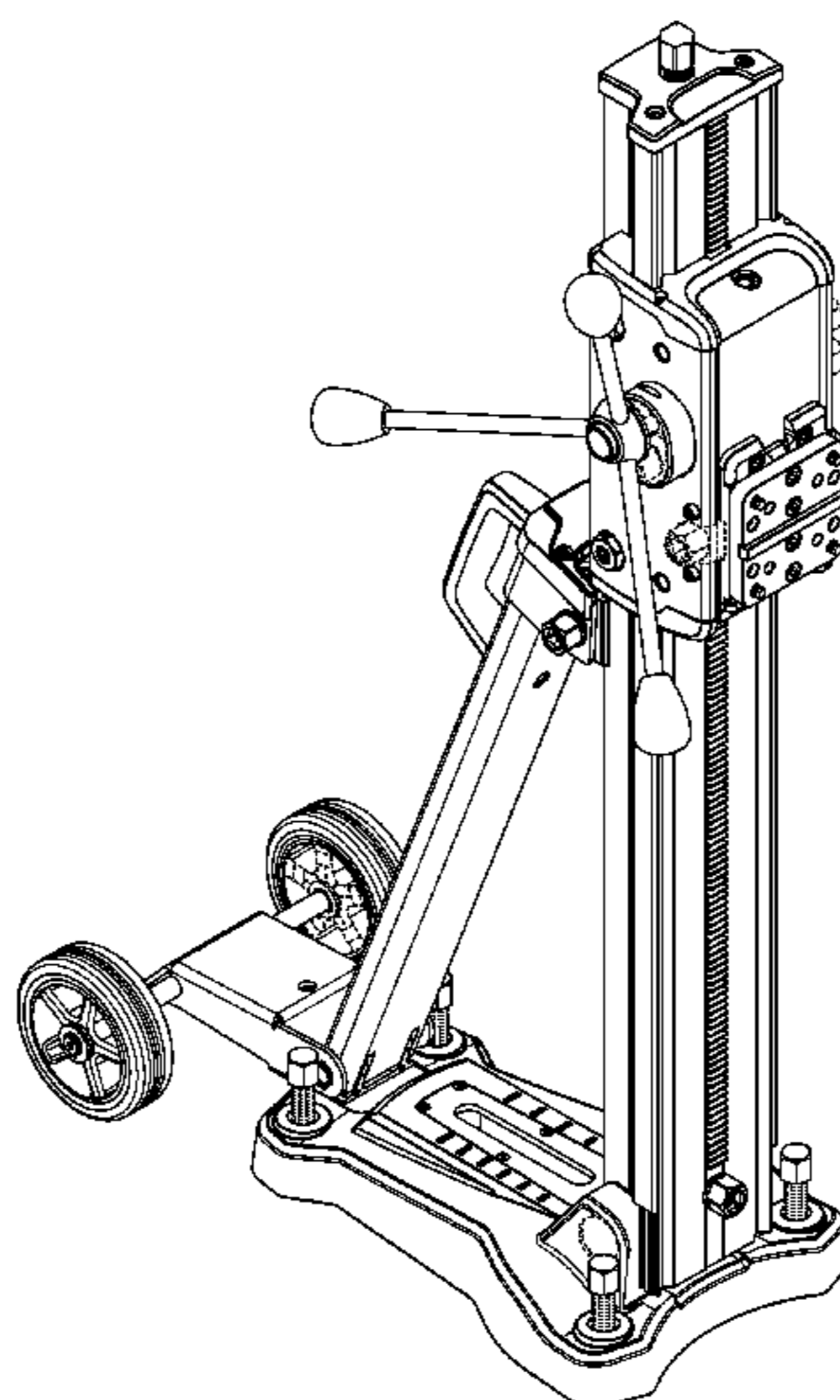
FIG. 12 is a back elevational view of a second embodiment of the drill stand;

FIG. 13 is a bottom plan view of a second embodiment of the drill stand; and,

FIG. 14 is a top plan view of a second embodiment of the drill stand.

The broken lines shown in the drawings are for illustrative purposes only and form no part of the claimed design.

**1 Claim, 14 Drawing Sheets**



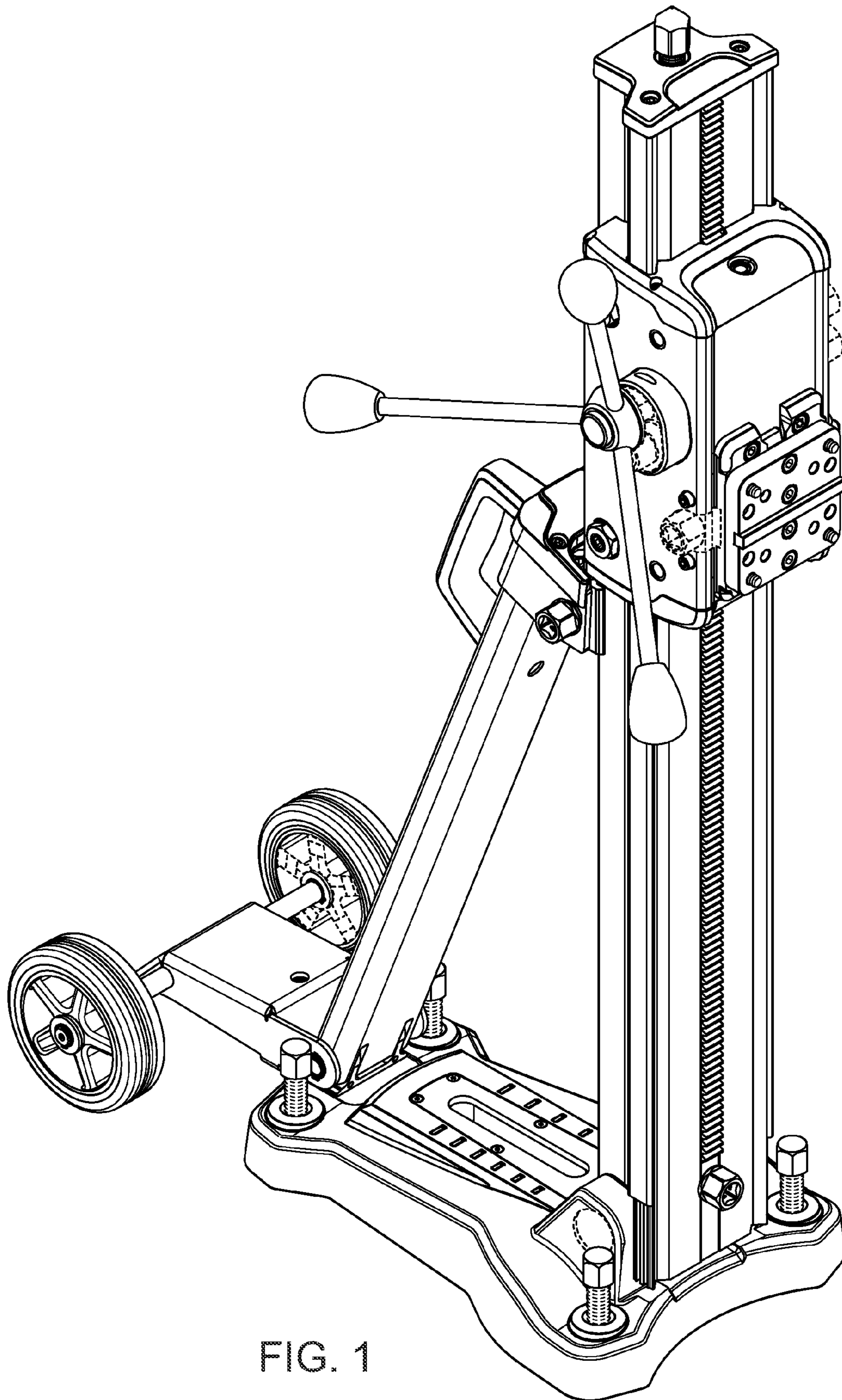


FIG. 1

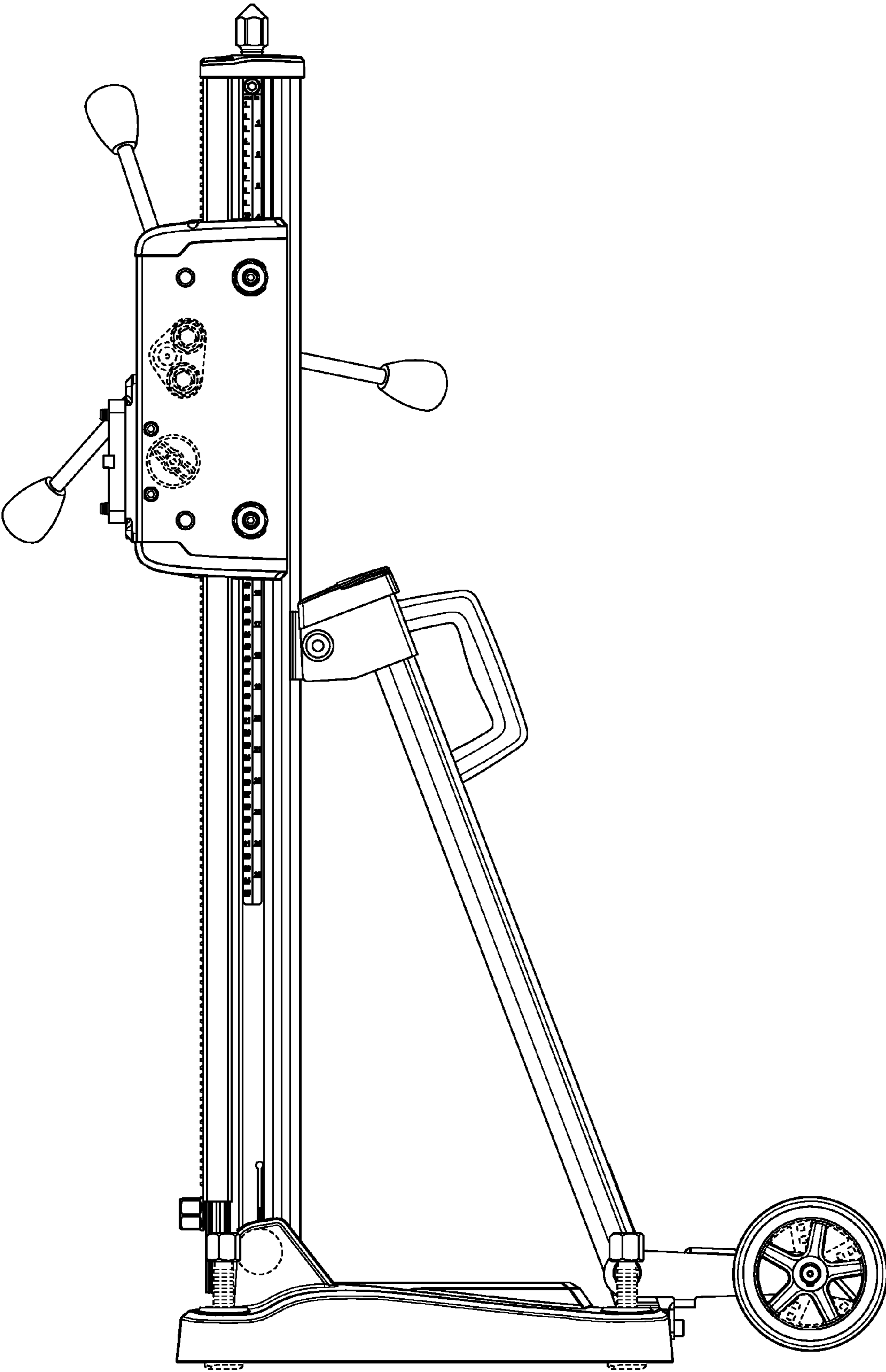


FIG. 2

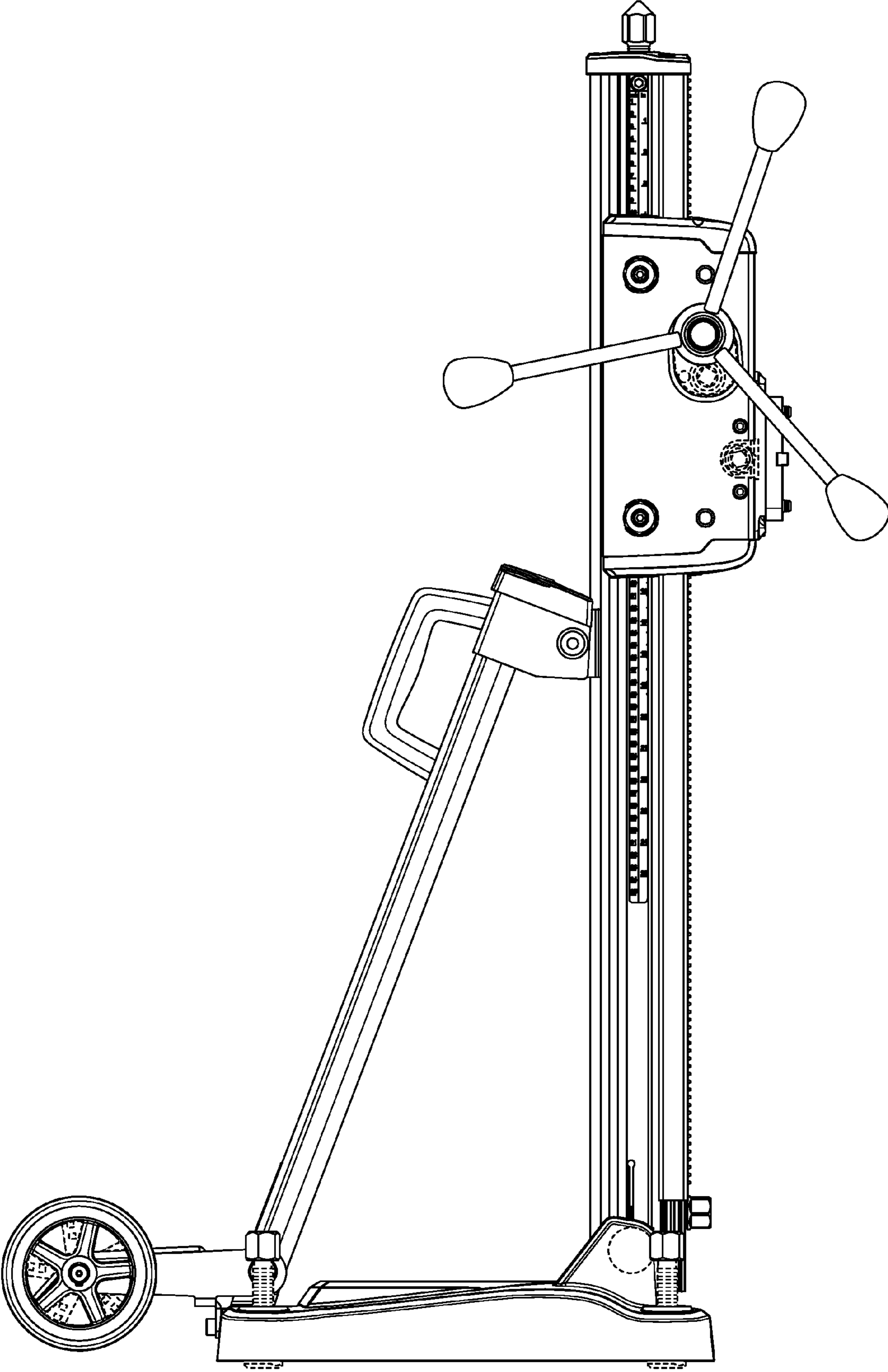


FIG. 3

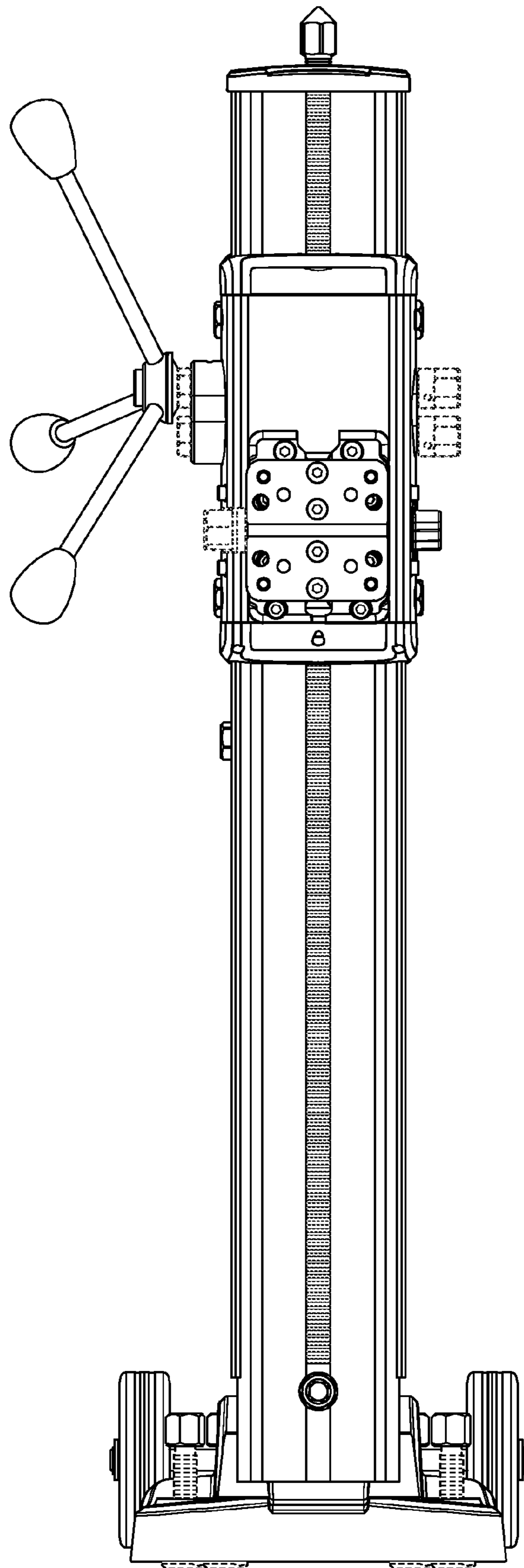


FIG. 4

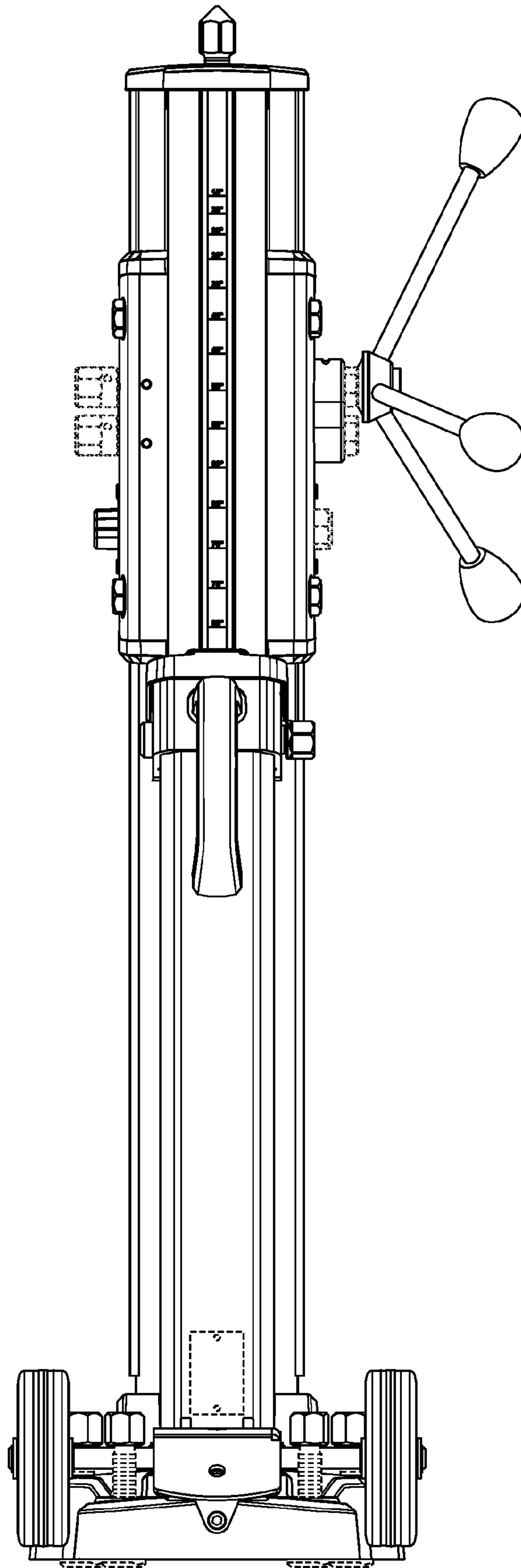


FIG. 5

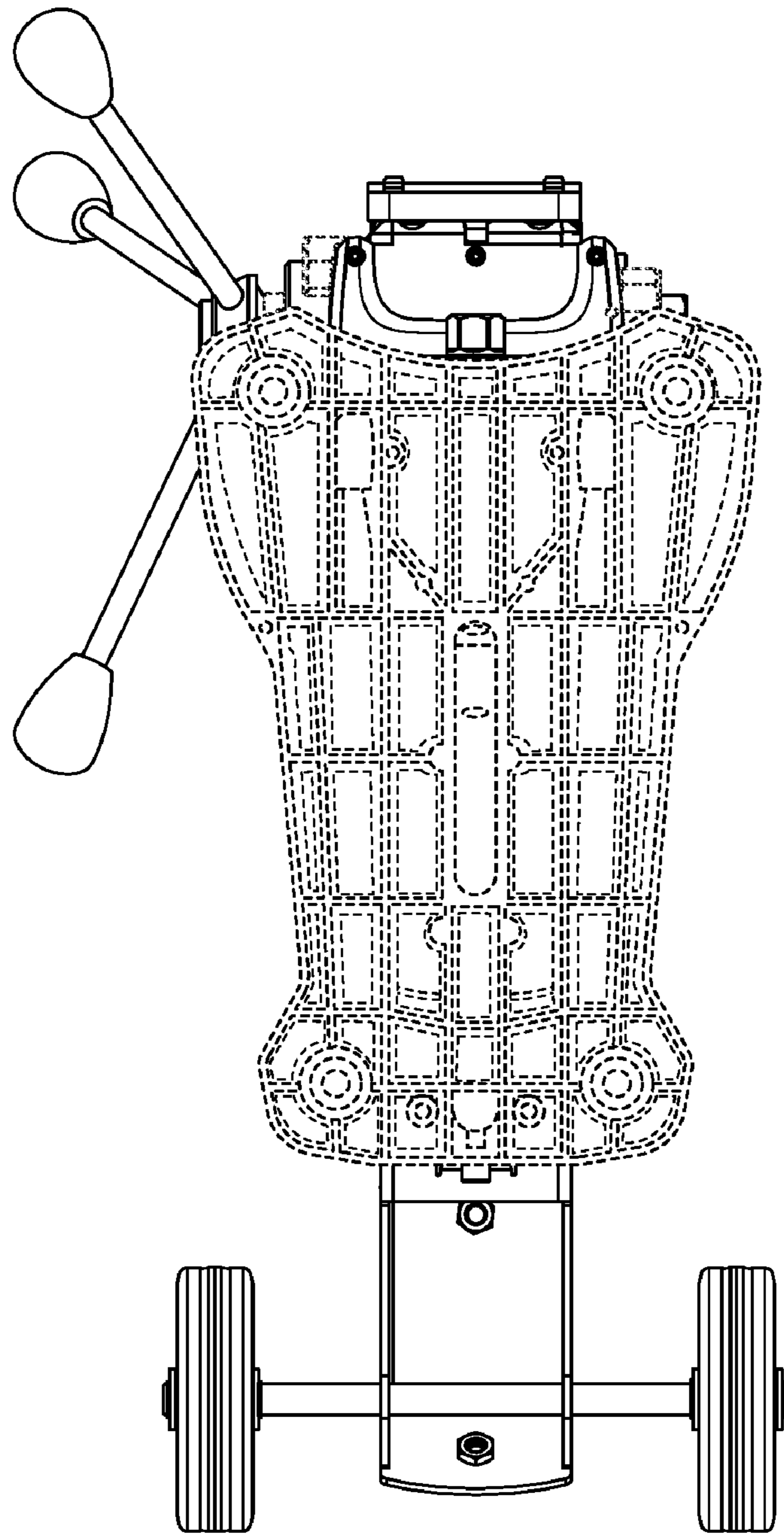


FIG. 6

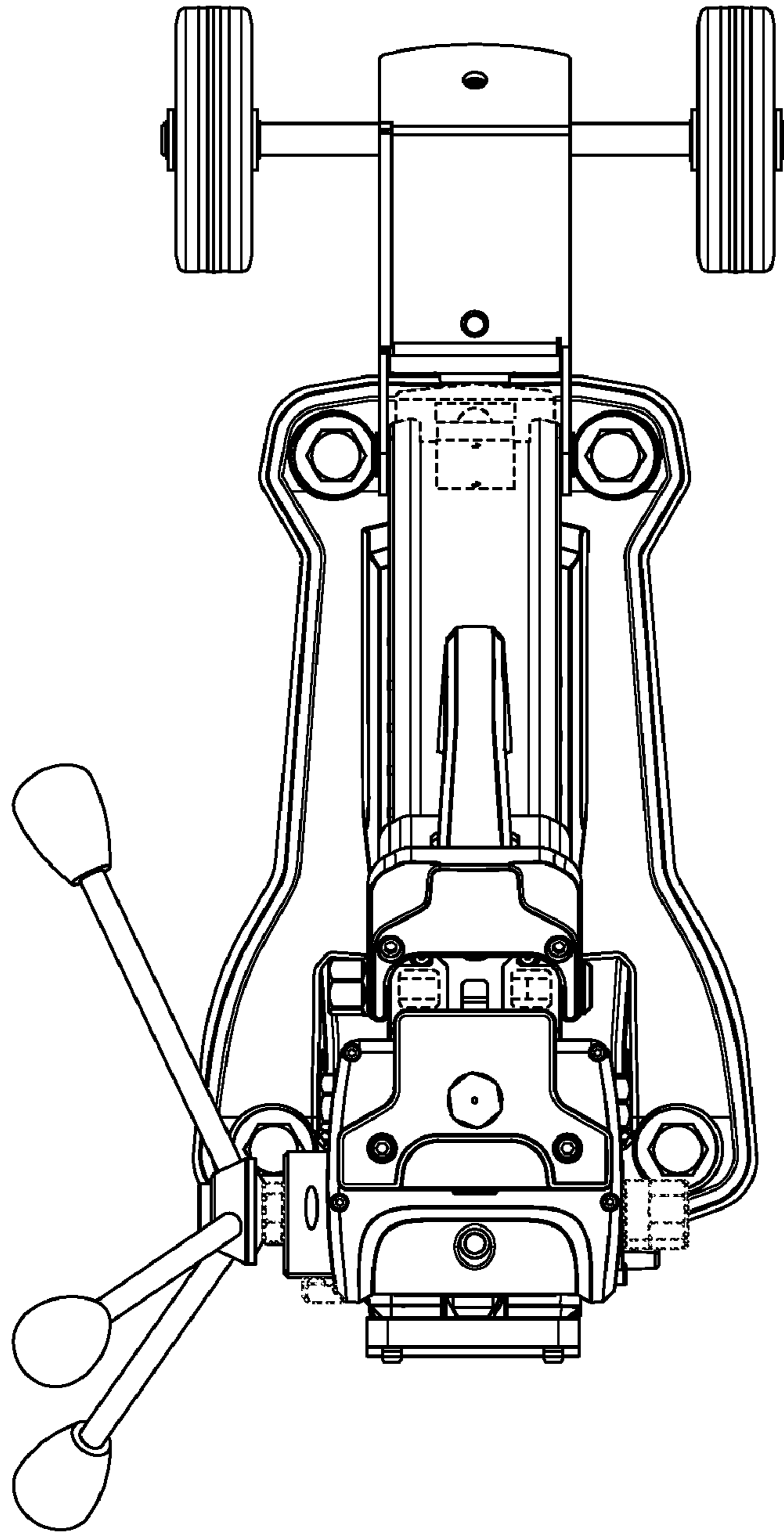


FIG. 7



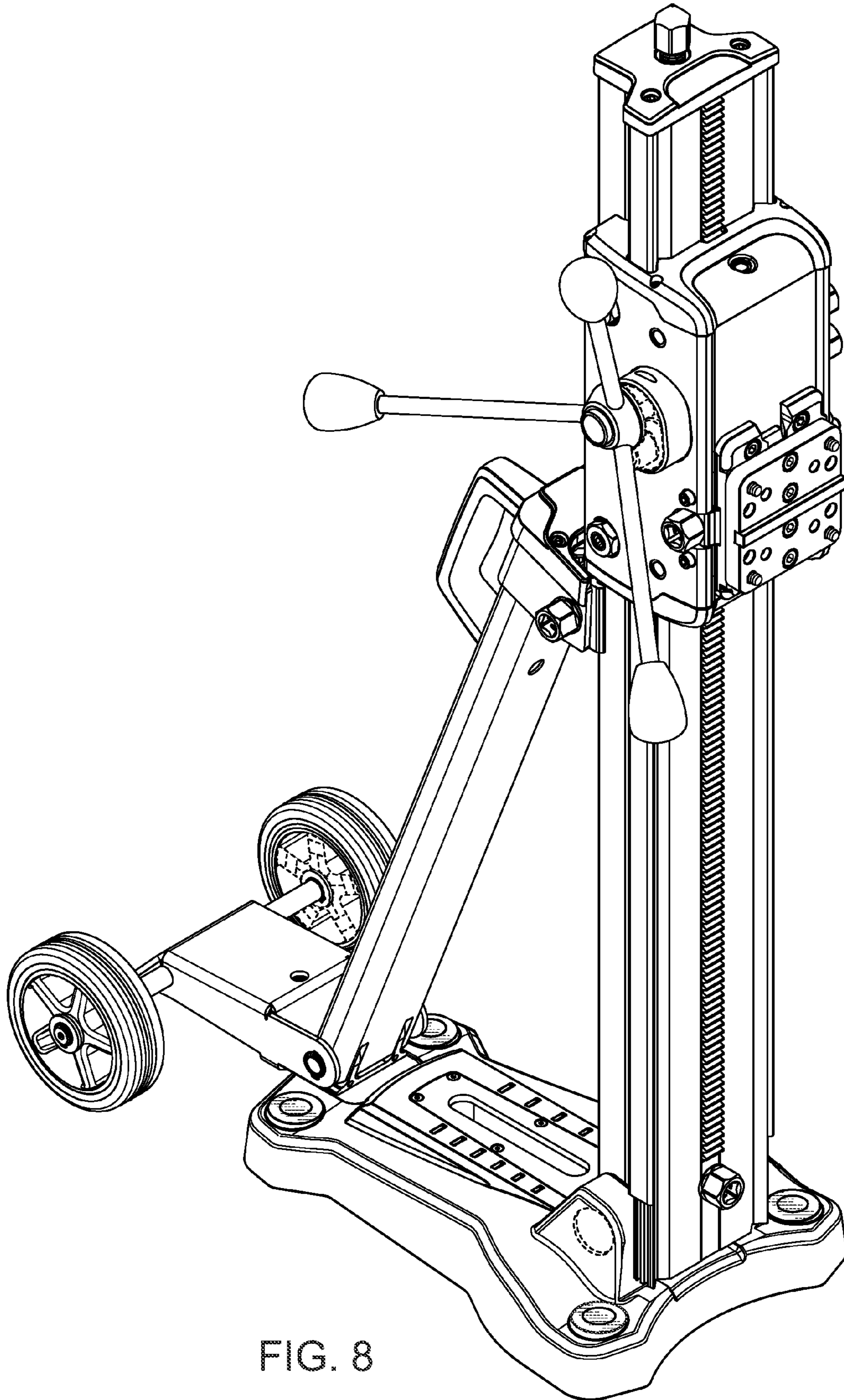


FIG. 8

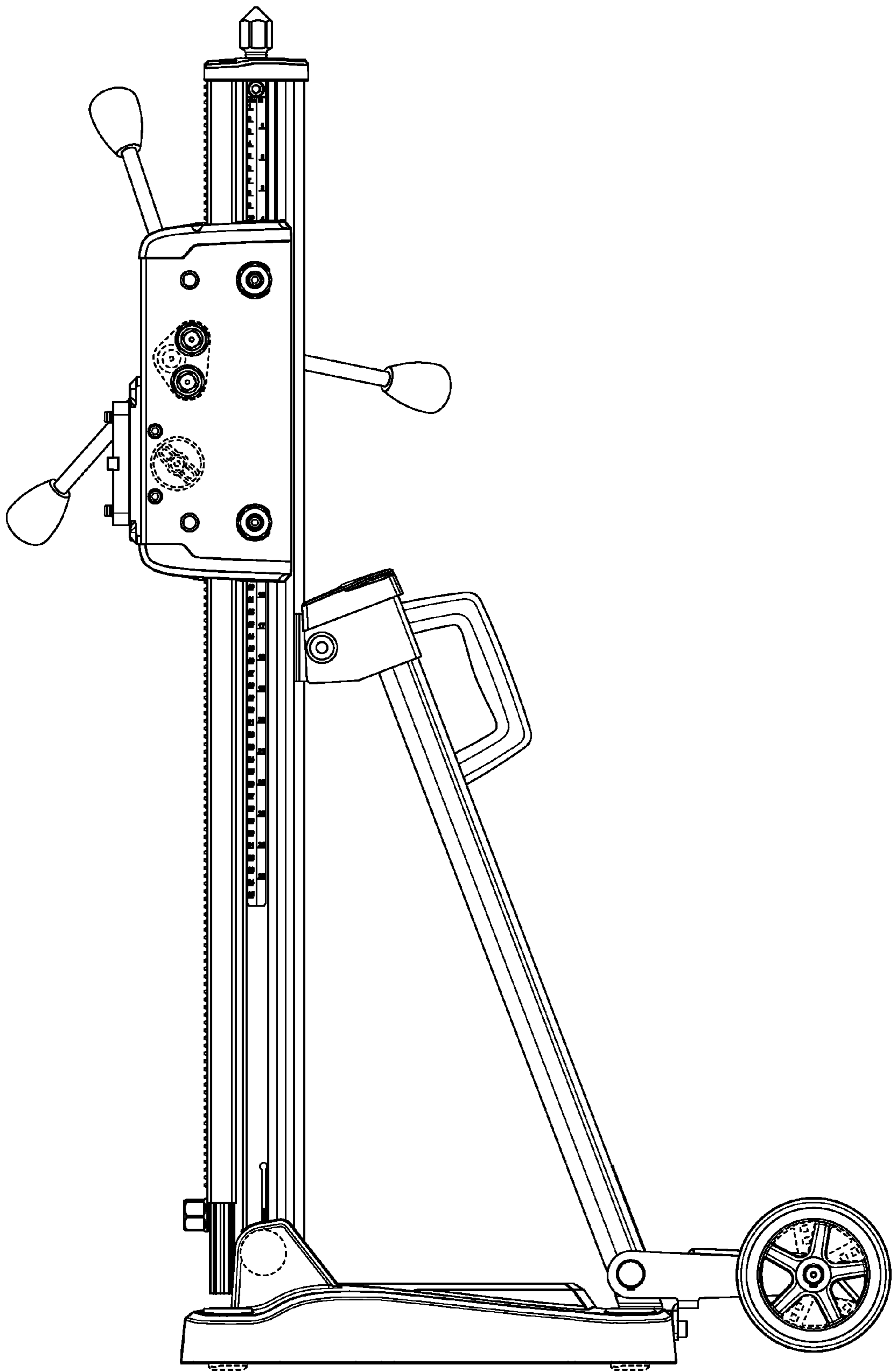


FIG. 9

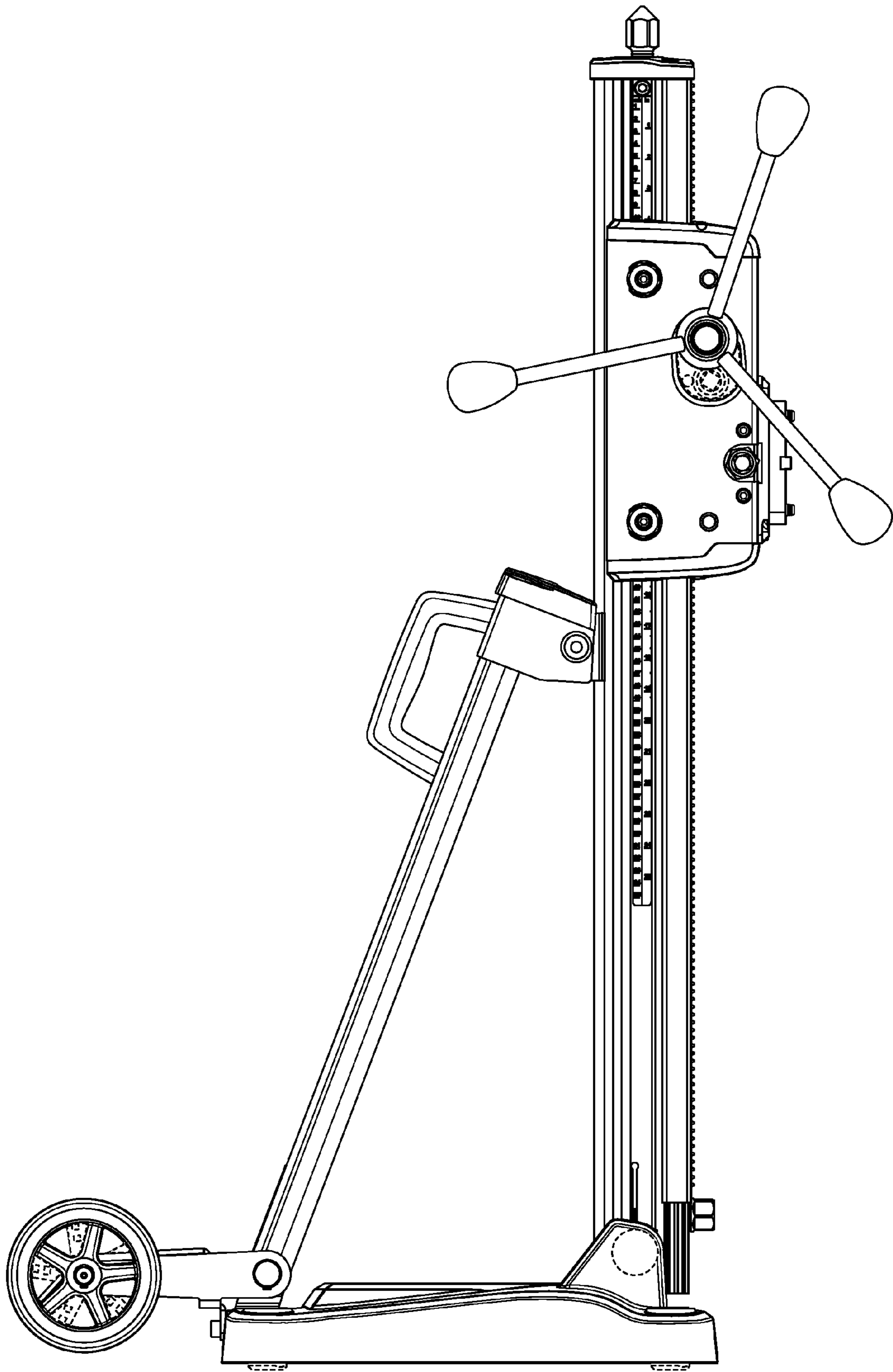


FIG. 10

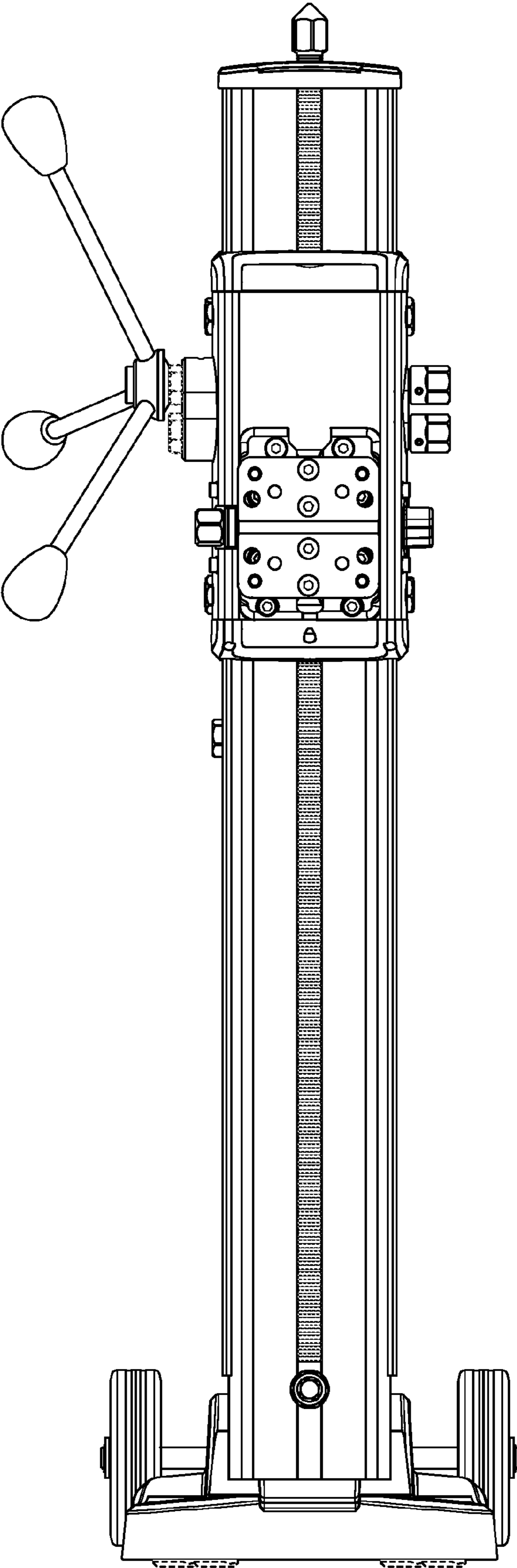


FIG. 11

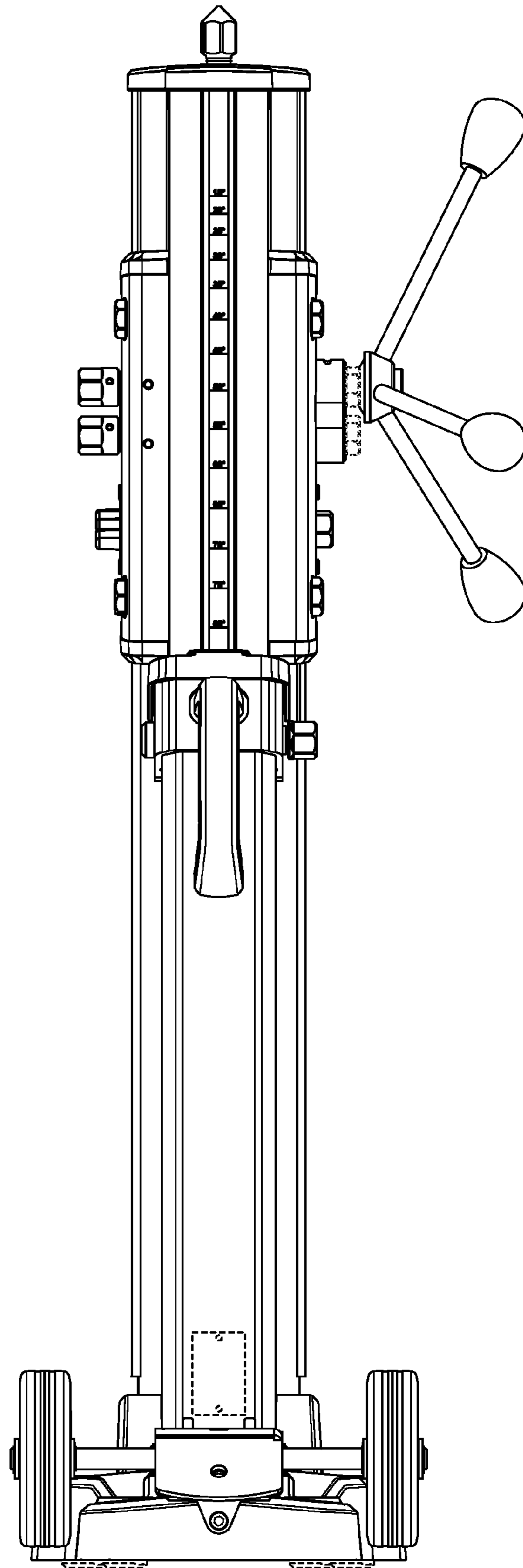


FIG. 12

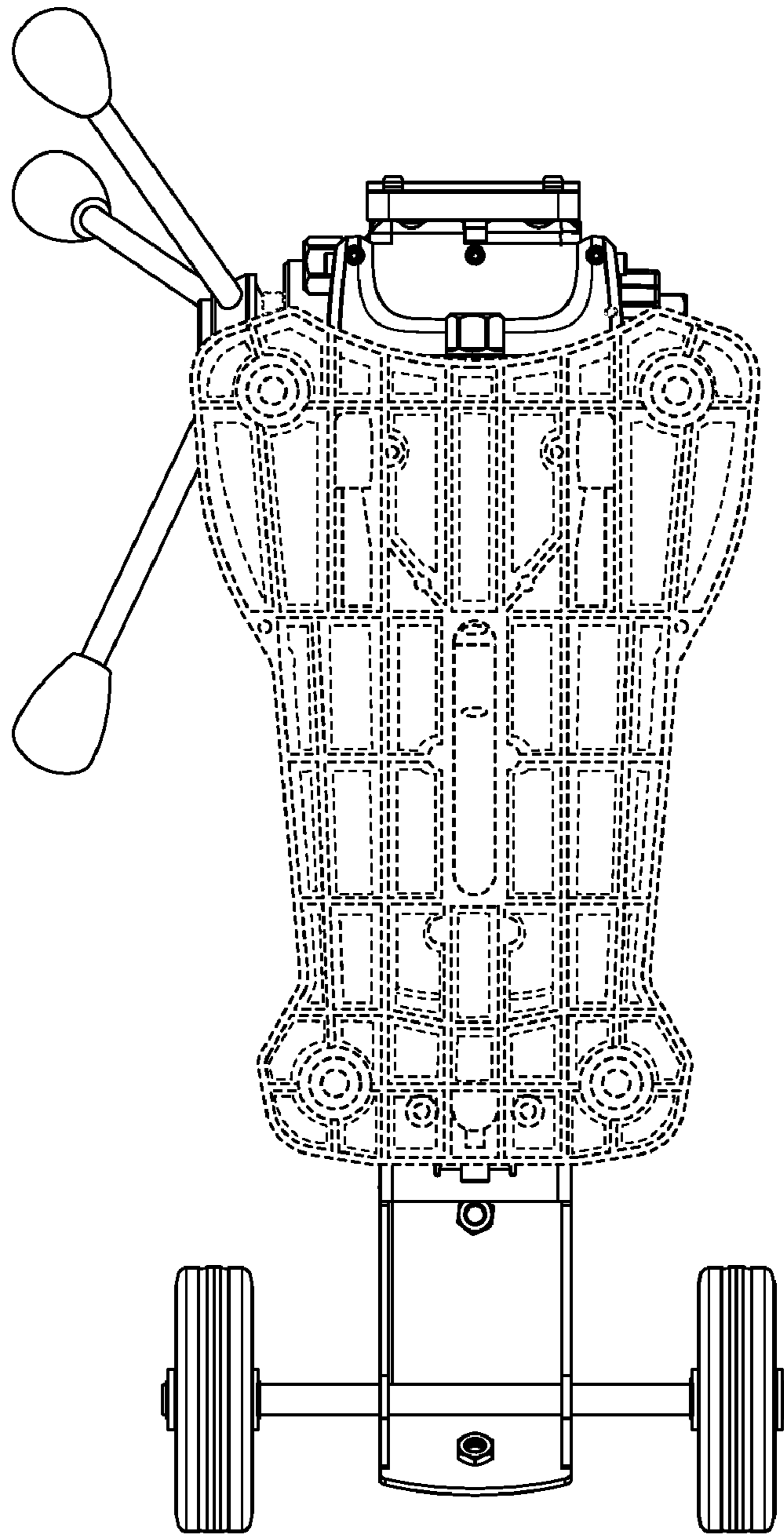


FIG. 13

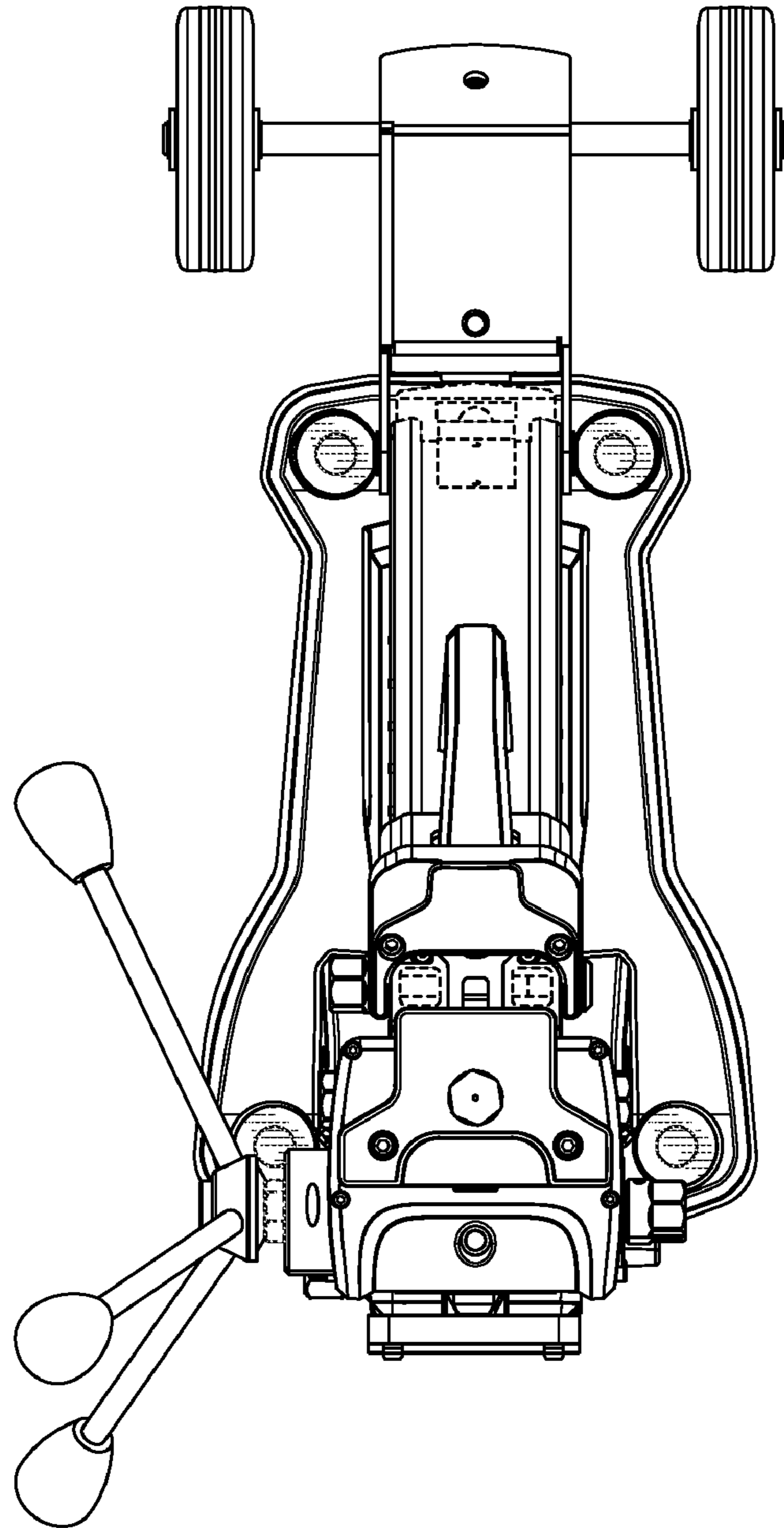


FIG. 14