



US00D617816S

(12) **United States Design Patent**
Abiko

(10) **Patent No.:** **US D617,816 S**
(45) **Date of Patent:** **** Jun. 15, 2010**

(54) **METALLIC CORE OF RUBBER CRAWLER**

(75) Inventor: **Yutaka Abiko**, Tokyo (JP)

(73) Assignee: **Bridgestone Corporation**, Tokyo (JP)

(**) Term: **14 Years**

(21) Appl. No.: **29/343,274**

(22) Filed: **Sep. 10, 2009**

(30) **Foreign Application Priority Data**

May 26, 2009 (JP) 2009-011715

(51) **LOC (9) Cl.** **15-03**

(52) **U.S. Cl.** **D15/28**

(58) **Field of Classification Search** D15/28,
D15/22-26; 305/170-177, 159, 187, 189,
305/167, 165, 51, 111, 46, 198, 53, 204,
305/193

See application file for complete search history.

(56) **References Cited**

U.S. PATENT DOCUMENTS

- D231,385 S * 4/1974 Plastino D15/28
- 4,678,244 A * 7/1987 Furuta et al. 305/175
- 4,904,030 A * 2/1990 Ono 305/174
- 5,131,728 A * 7/1992 Katoh et al. 305/174
- 5,308,155 A * 5/1994 Katoh 305/174
- 5,380,076 A * 1/1995 Hori 305/171
- 5,399,003 A * 3/1995 Katoh 305/171
- 5,403,643 A * 4/1995 Tsuru 428/120
- 5,522,654 A * 6/1996 Katoh 305/174
- 5,522,655 A * 6/1996 Katoh 305/174
- 5,813,733 A * 9/1998 Hori et al. 305/172
- 5,997,110 A * 12/1999 Katoh et al. 305/169
- 6,106,083 A * 8/2000 Ono 305/171
- 6,588,862 B1 * 7/2003 Pringiers 305/167
- D484,149 S * 12/2003 Hannan et al. D15/28
- 6,709,077 B2 * 3/2004 Watanabe et al. 305/177
- 6,805,416 B2 * 10/2004 Ueno 305/177
- 6,832,820 B2 * 12/2004 Watanabe et al. 305/177
- 7,131,709 B2 * 11/2006 Ueno 305/177

- 7,293,844 B2 * 11/2007 Uchiyama 305/166
- D557,713 S * 12/2007 Sugihara D15/28
- D561,786 S * 2/2008 Tateishi D15/28
- D562,353 S * 2/2008 Sugihara D15/28
- 7,413,268 B2 * 8/2008 Kato et al. 305/172
- D587,728 S * 3/2009 Shimozono D15/28
- D588,167 S * 3/2009 Shimozono D15/28
- D588,168 S * 3/2009 Shimozono D15/28
- 2003/0025391 A1 * 2/2003 Ueno 305/157
- 2004/0075340 A1 * 4/2004 Watanabe et al. 305/177
- 2005/0001482 A1 * 1/2005 Ueno 305/177
- 2005/0218722 A1 * 10/2005 Kurokawa 305/171
- 2006/0061212 A1 * 3/2006 Uchiyama 305/167
- 2006/0163944 A1 * 7/2006 Tsuru et al. 305/165
- 2006/0279138 A1 * 12/2006 Kato et al. 305/177
- 2008/0129111 A1 * 6/2008 Pringiers 305/171

FOREIGN PATENT DOCUMENTS

JP 1363191 S 11/2009

* cited by examiner

Primary Examiner—Ian Simmons

Assistant Examiner—Mark A Goodwin

(74) *Attorney, Agent, or Firm*—Sughrue Mion, PLLC

(57) **CLAIM**

The ornamental design for a metallic core of rubber crawler, as shown and described.

DESCRIPTION

FIG. 1 is a perspective view of a metallic core of rubber crawler according to the present invention;

FIG. 2 is a front view thereof;

FIG. 3 is a top view thereof; and,

FIG. 4 is a right side view thereof.

The long dash short dash broken line shown in FIGS. 1, 2, and 4 represents the bounds of the claimed design and the short dash broken lines are included for the purpose of illustrating environmental structure only and form no part of the claimed design.

1 Claim, 2 Drawing Sheets

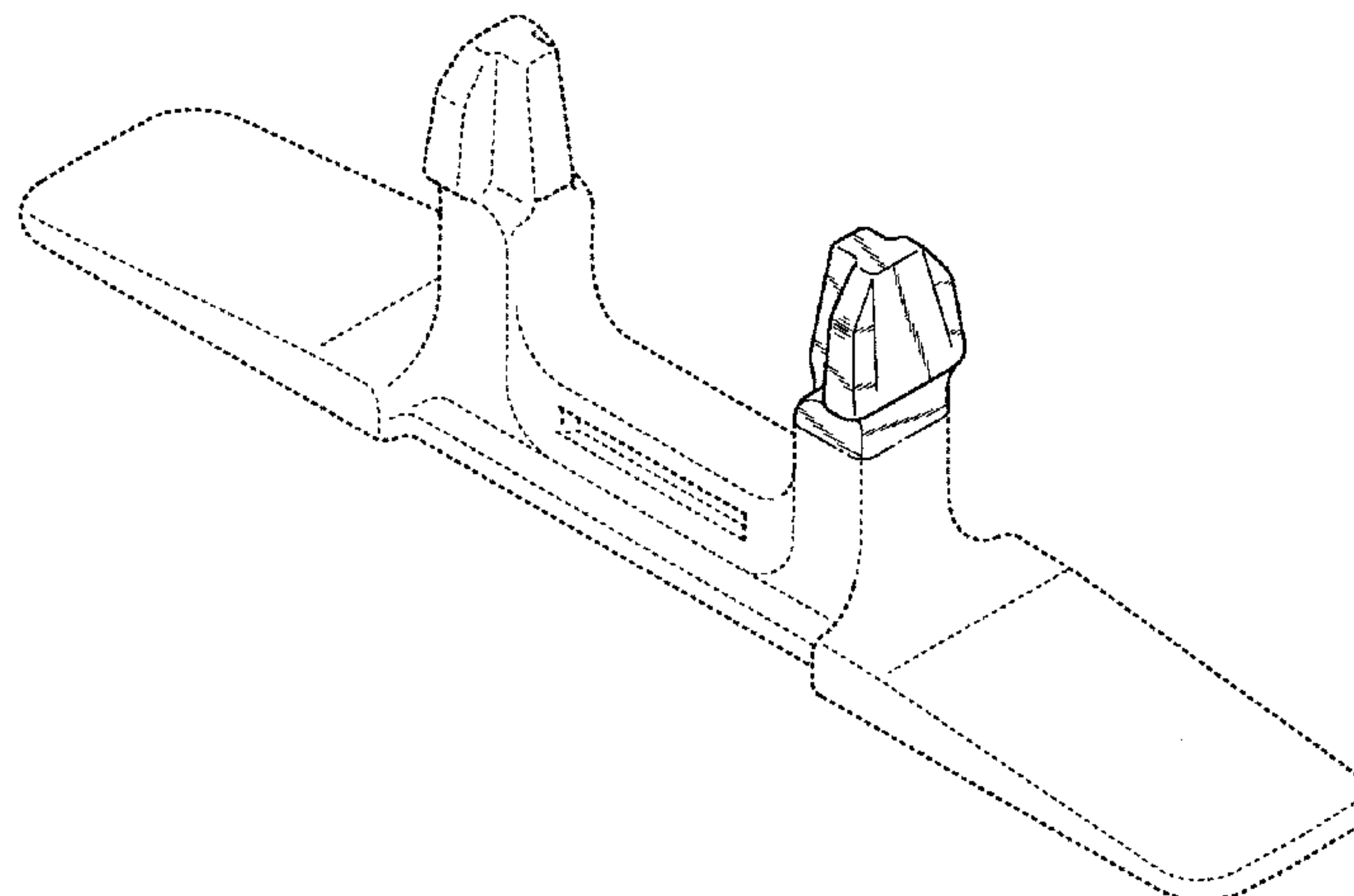


FIG. 1

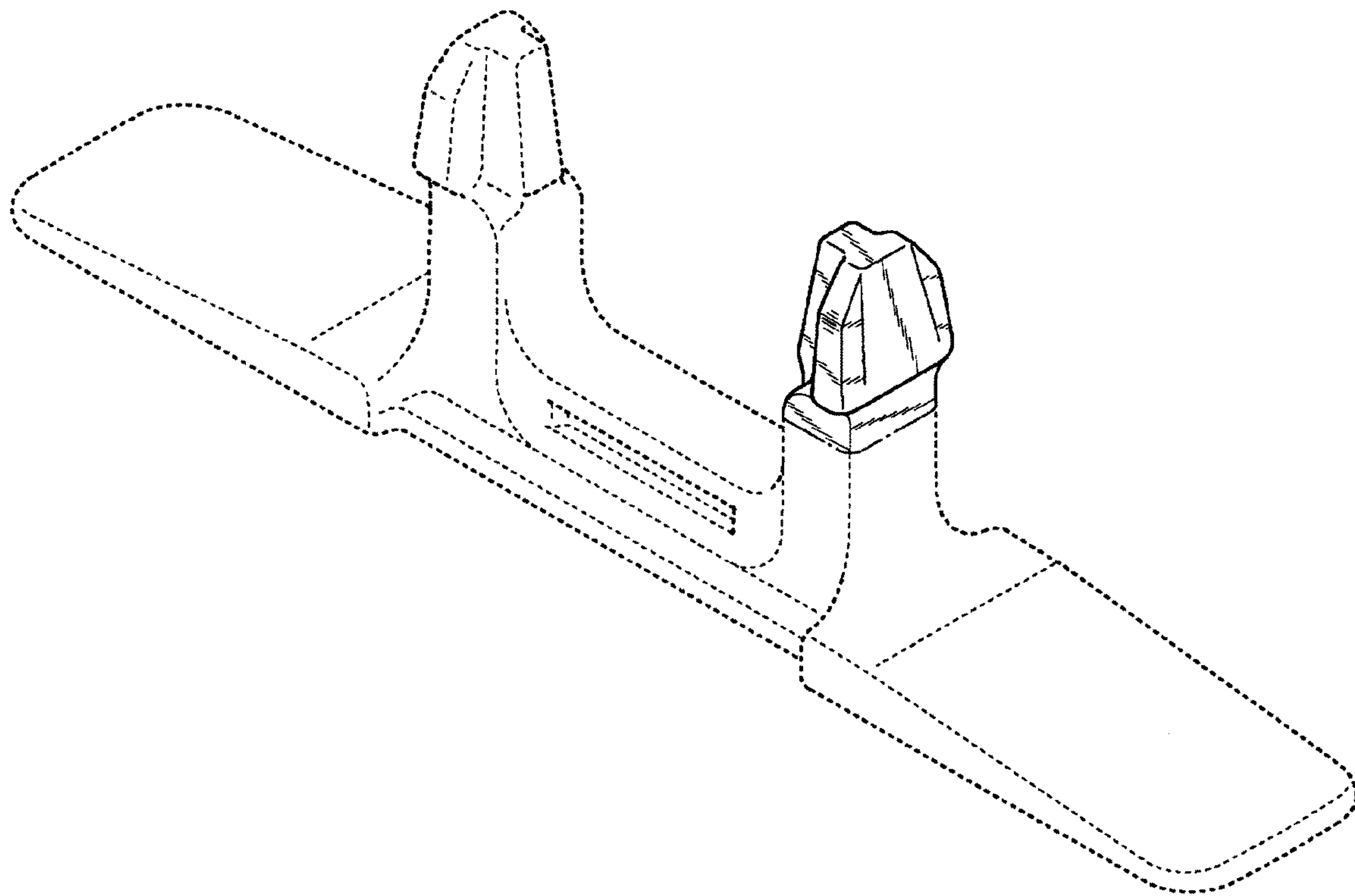


FIG. 2

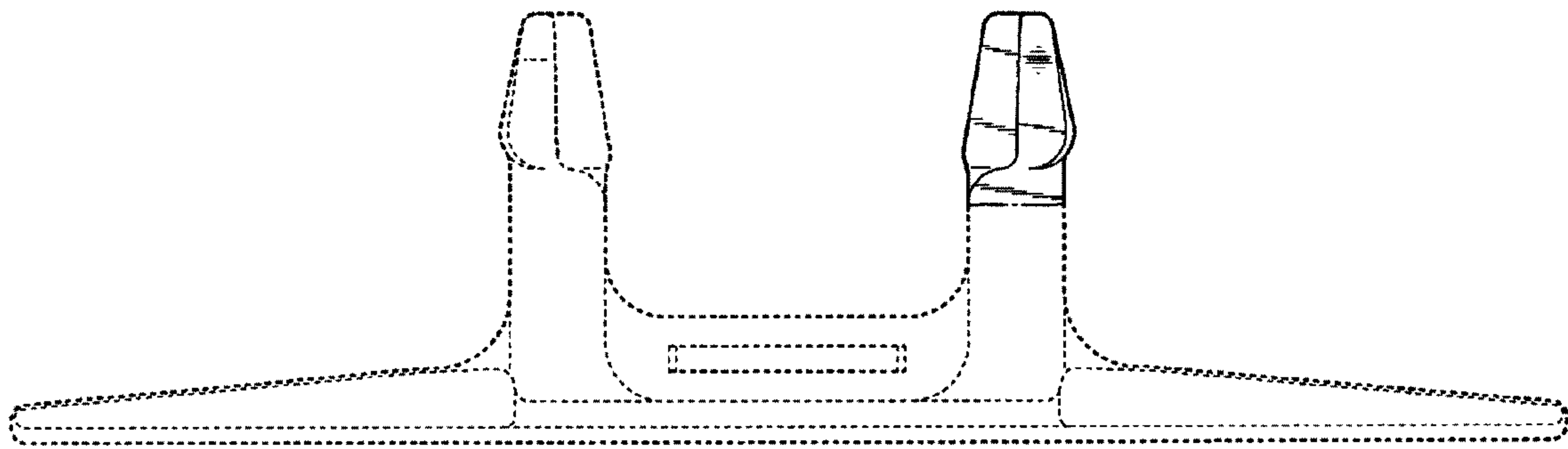


FIG. 3

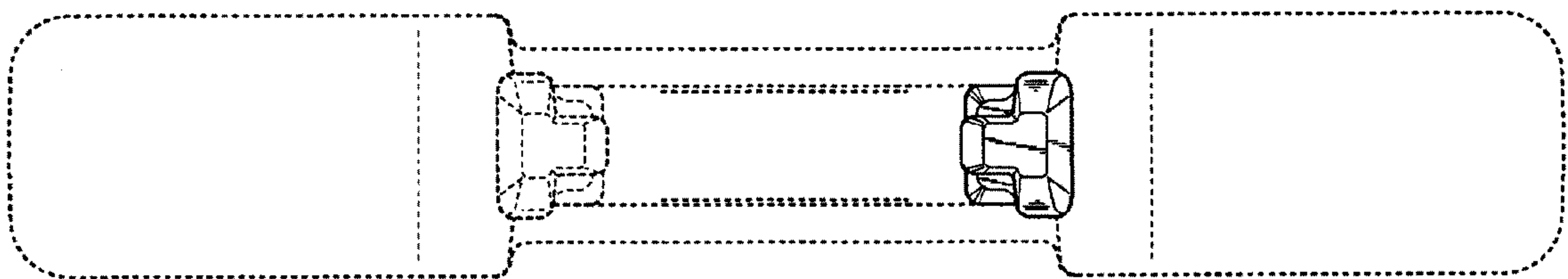


FIG. 4

