



US00D617814S

(12) **United States Design Patent**
Dreifert

(10) **Patent No.:** **US D617,814 S**
(45) **Date of Patent:** **** Jun. 15, 2010**

(54) **VACUUM PUMP**

(75) **Inventor:** **Thomas Dreifert, Kerpen (DE)**

(73) **Assignee:** **Oerlikon Leybold Vacuum GmbH,**
Cologne (DE)

(**) **Term:** **14 Years**

(21) **Appl. No.:** **29/337,779**

(22) **Filed:** **May 29, 2009**

(30) **Foreign Application Priority Data**

Dec. 1, 2008 (EM) 001048839

(51) **LOC (9) Cl.** **15-02**

(52) **U.S. Cl.** **D15/7**

(58) **Field of Classification Search** D15/7-9;
D23/231, 232, 225; 417/410.1, 359, 415-416,
417/234, 321, 265, 405

See application file for complete search history.

(56) **References Cited**

U.S. PATENT DOCUMENTS

D352,041 S * 11/1994 Hansen D15/9

D435,562 S * 12/2000 Clivio D15/7
D479,533 S * 9/2003 Song et al. D15/7
D518,068 S * 3/2006 Rodopoulos D15/7
D573,609 S * 7/2008 Bilger D15/7
D603,426 S * 11/2009 Hauser et al. D15/7

* cited by examiner

Primary Examiner—Ralf Seifert

(74) *Attorney, Agent, or Firm*—Fay Sharpe LLP

(57) **CLAIM**

The ornamental design for a vacuum pump, as shown.

DESCRIPTION

FIG. 1 is a perspective view from the top front left side;

FIG. 2 is a front view;

FIG. 3 is a rear view;

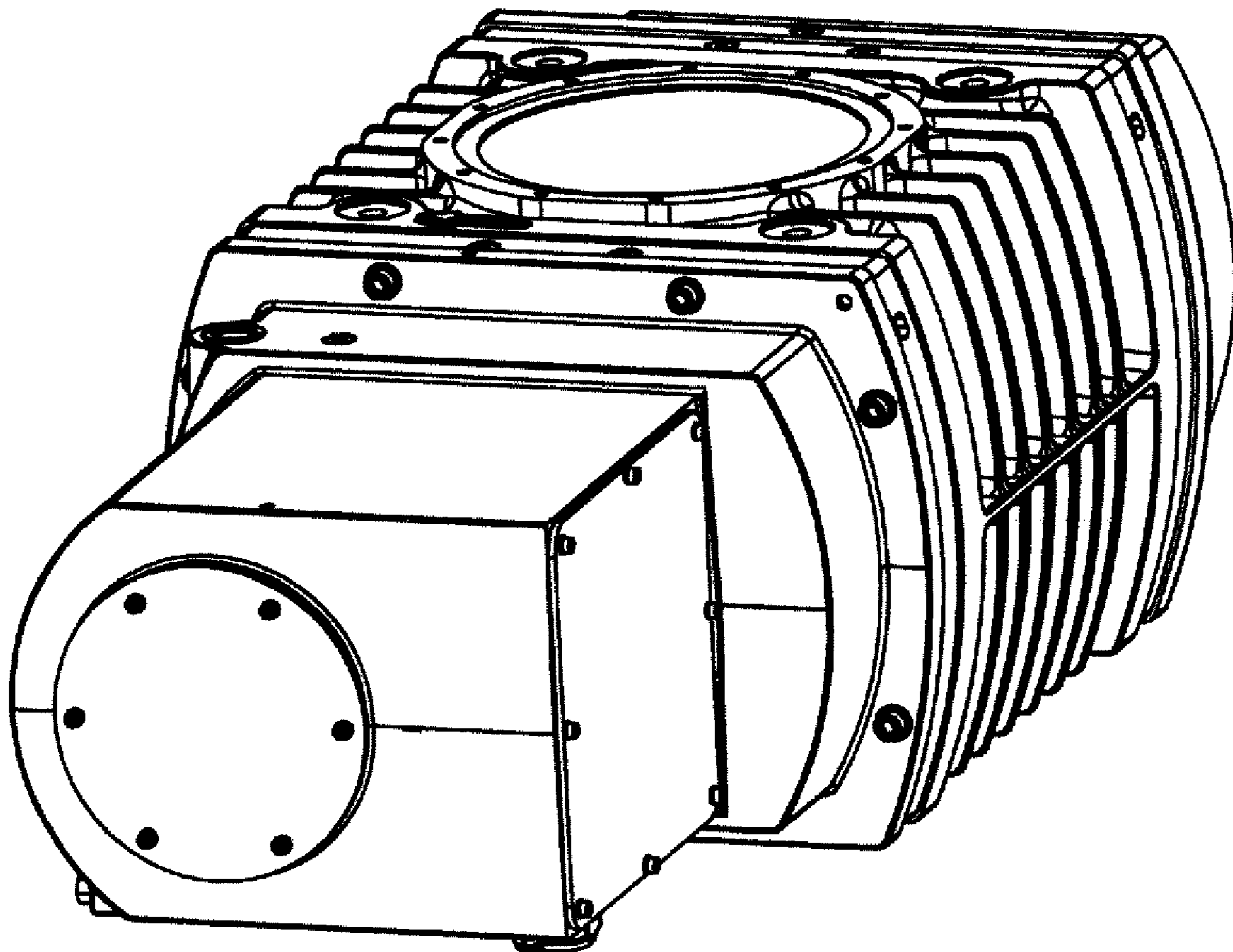
FIG. 4 is a top view;

FIG. 5 is a bottom view;

FIG. 6 is a view from the right side; and,

FIG. 7 is a view from the left side.

1 Claim, 3 Drawing Sheets



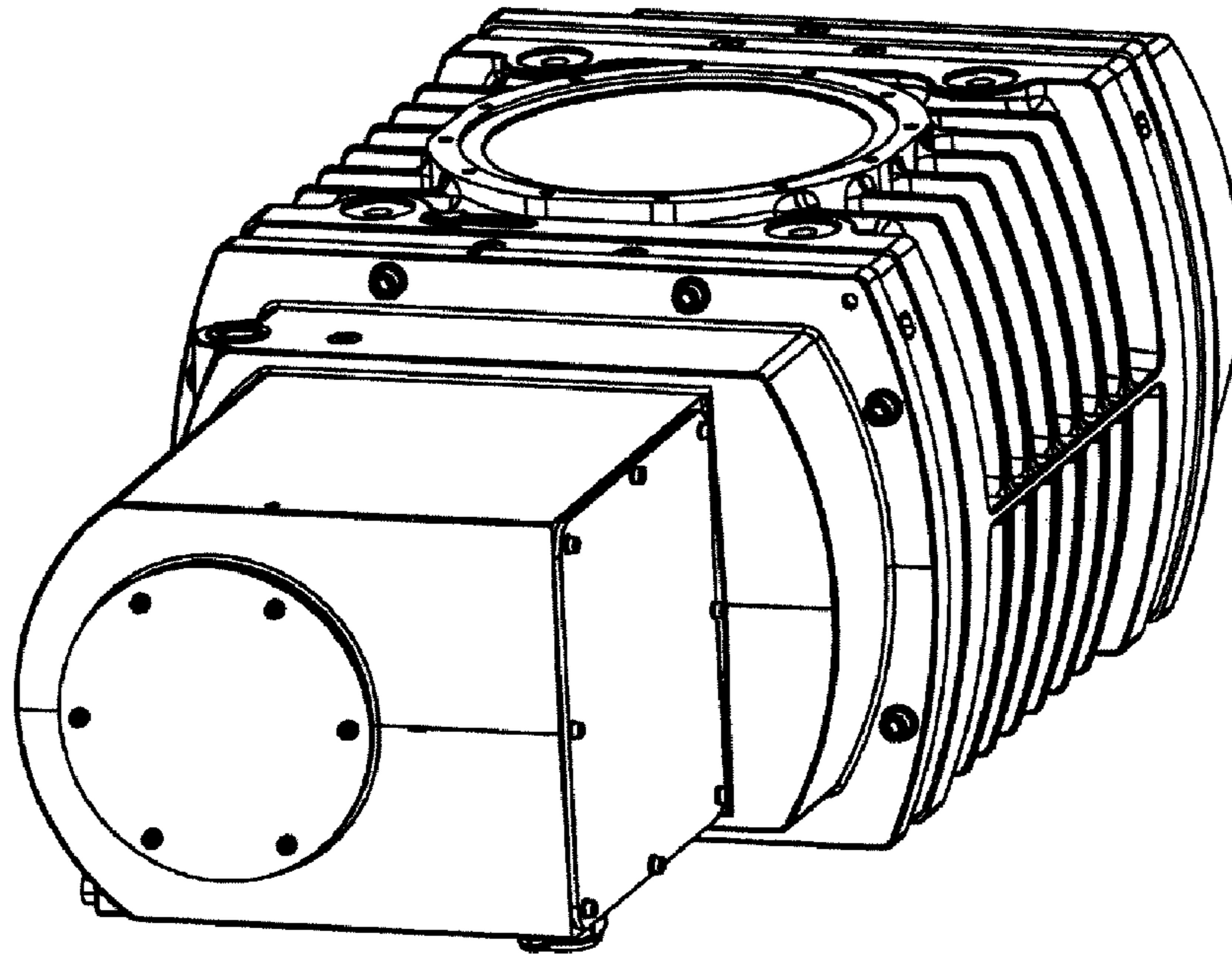


FIGURE 1

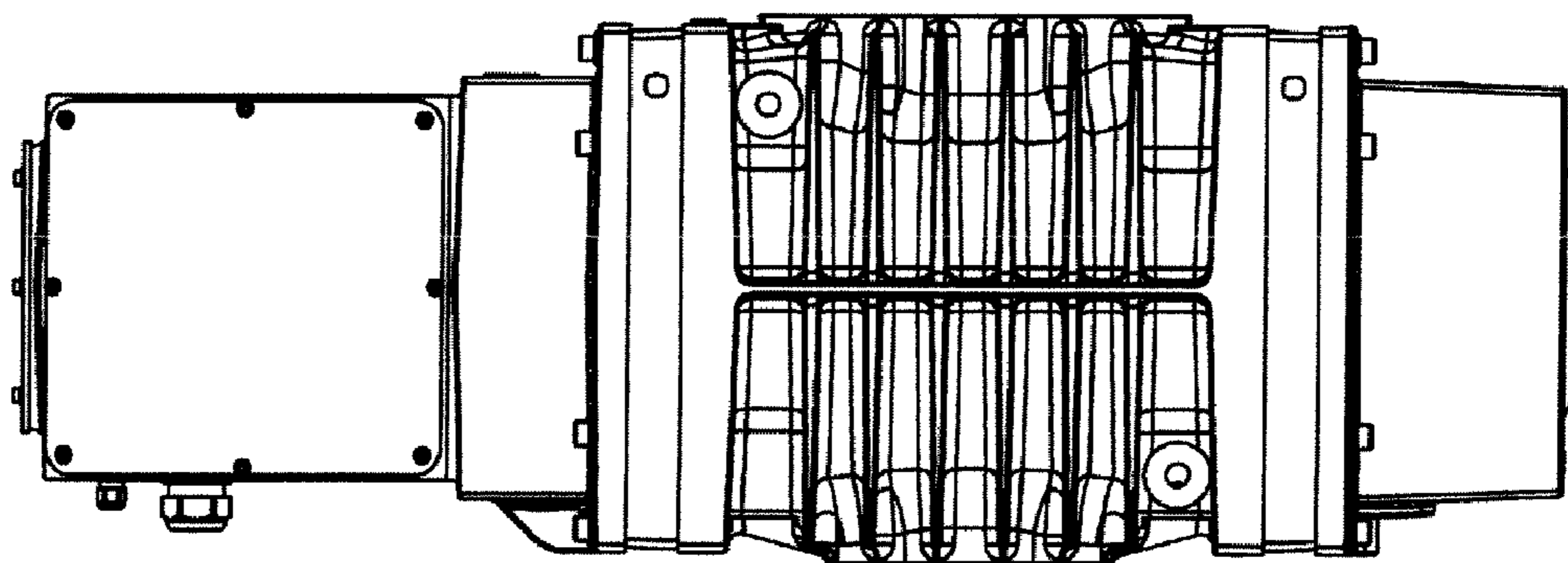


FIGURE 2

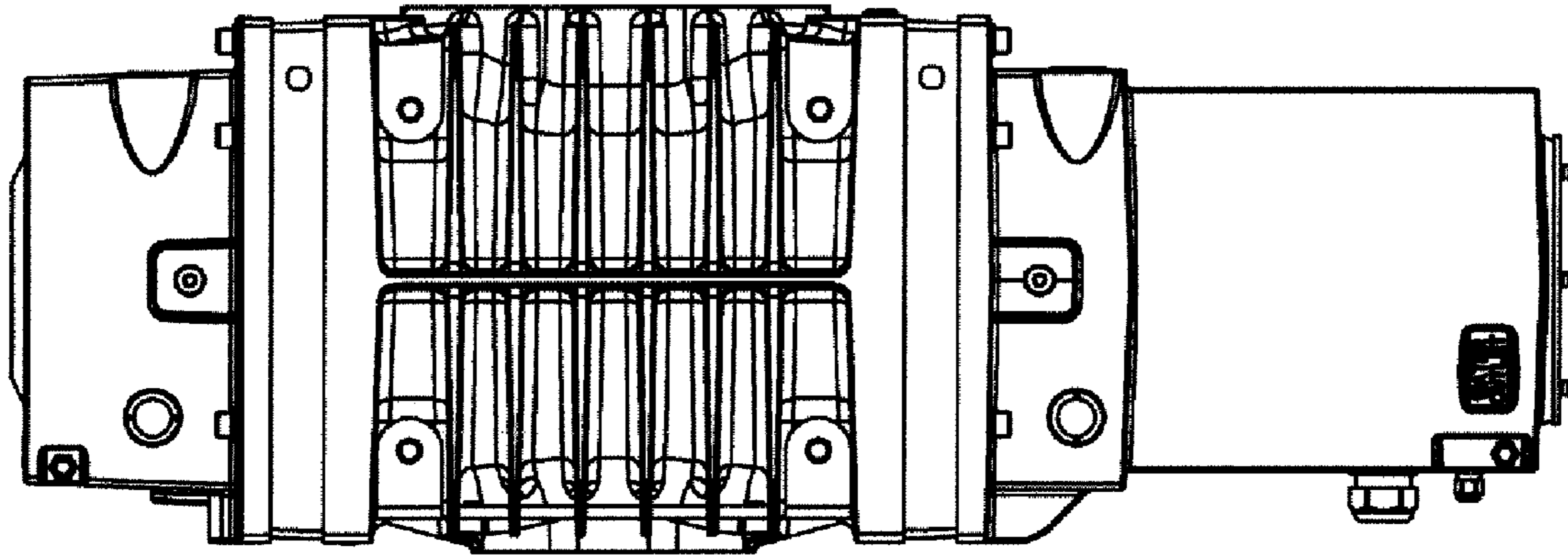


FIGURE 3

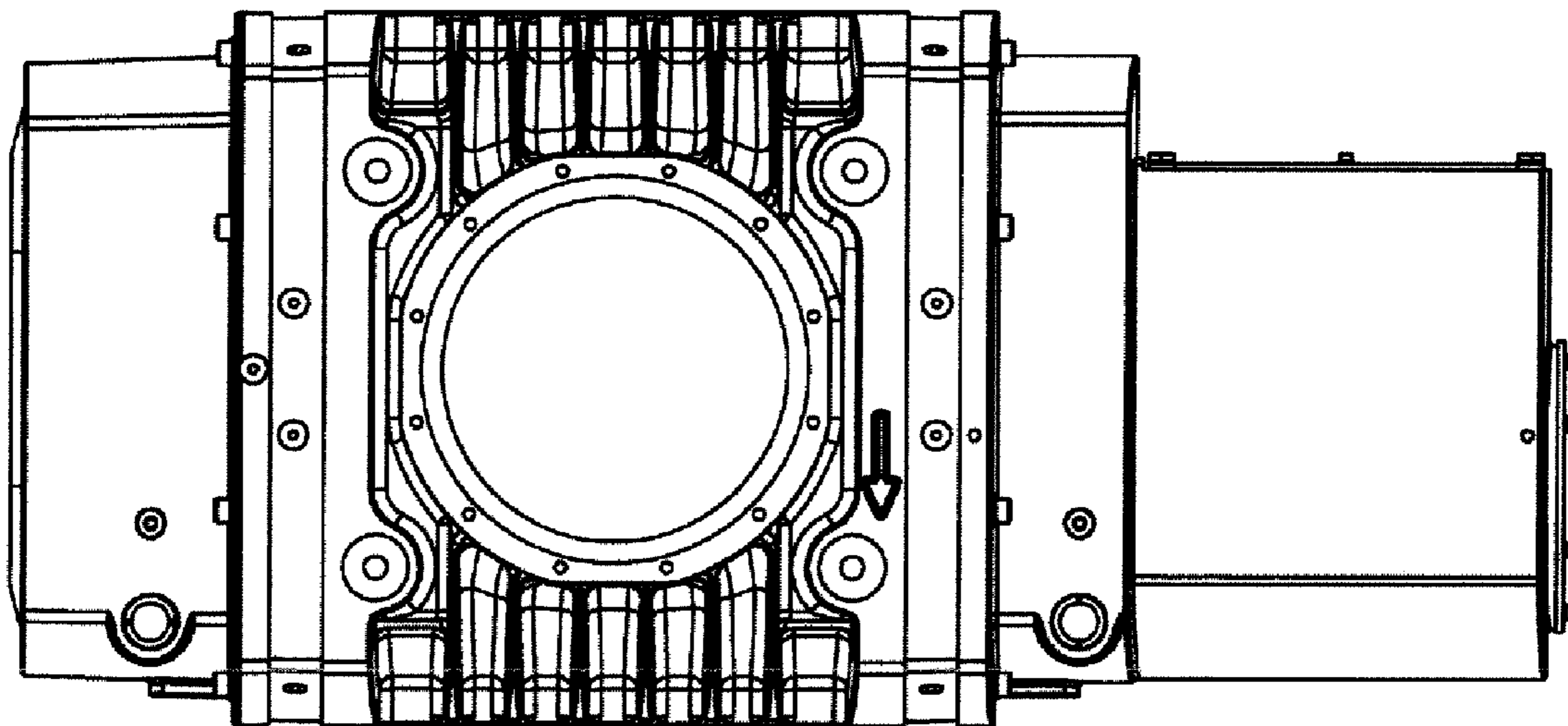


FIGURE 4

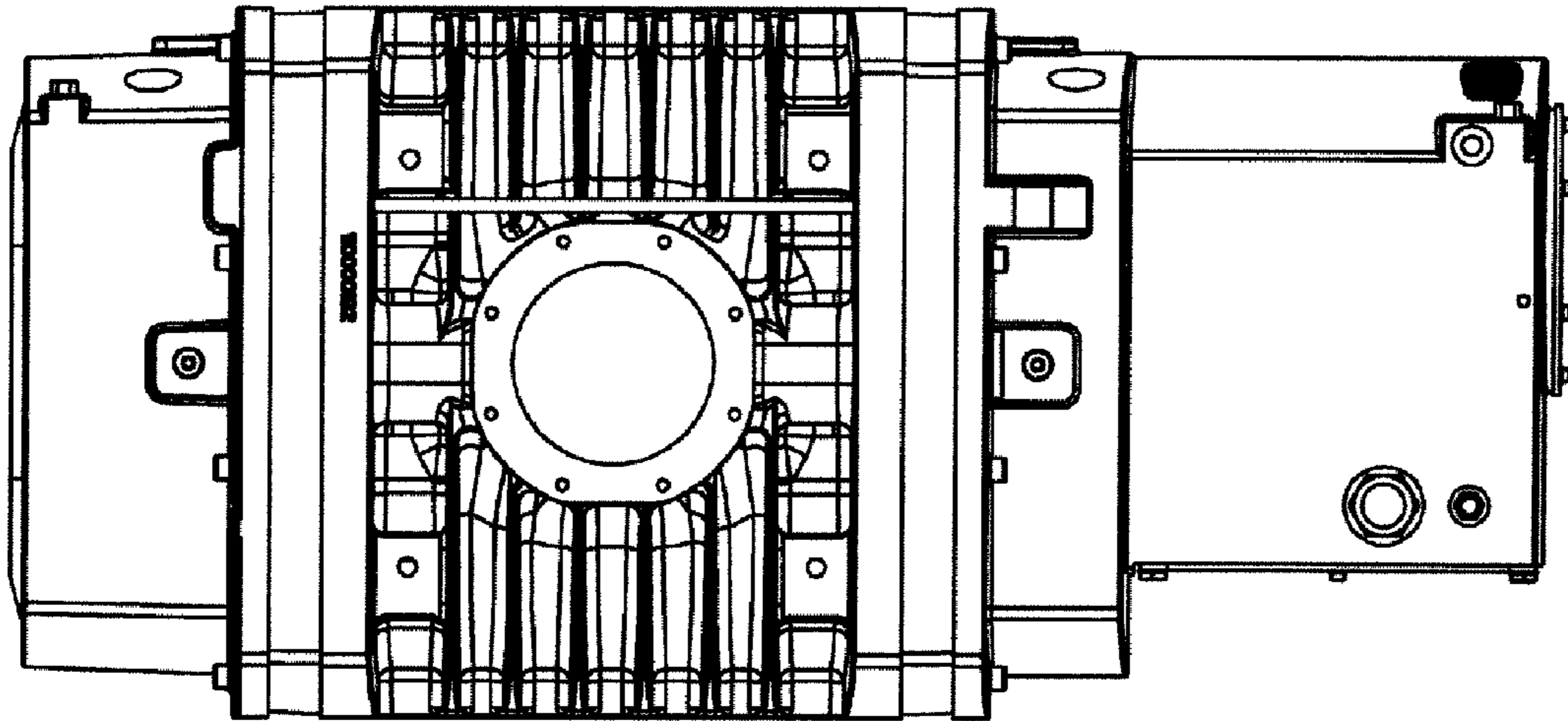


FIGURE 5

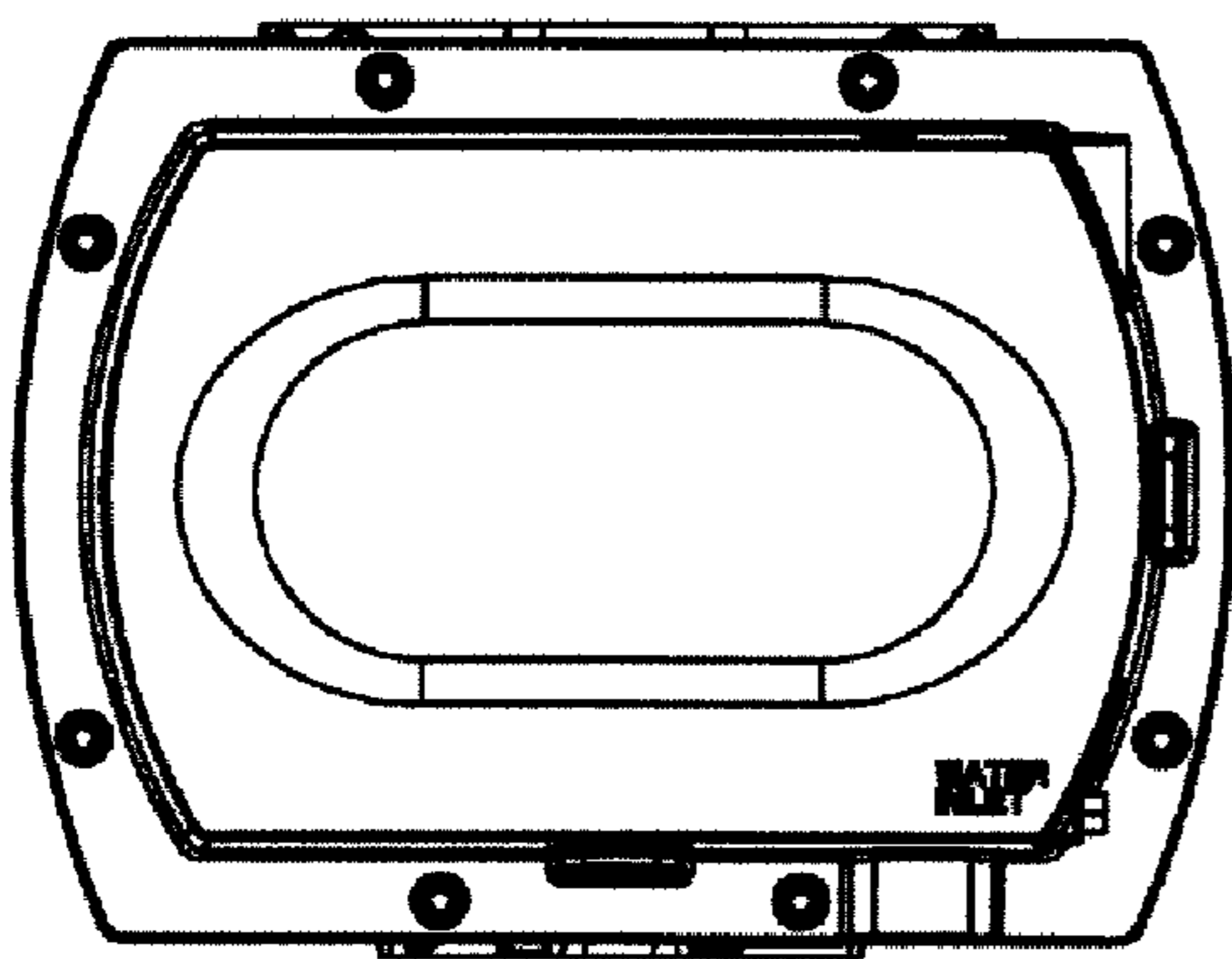


FIGURE 6

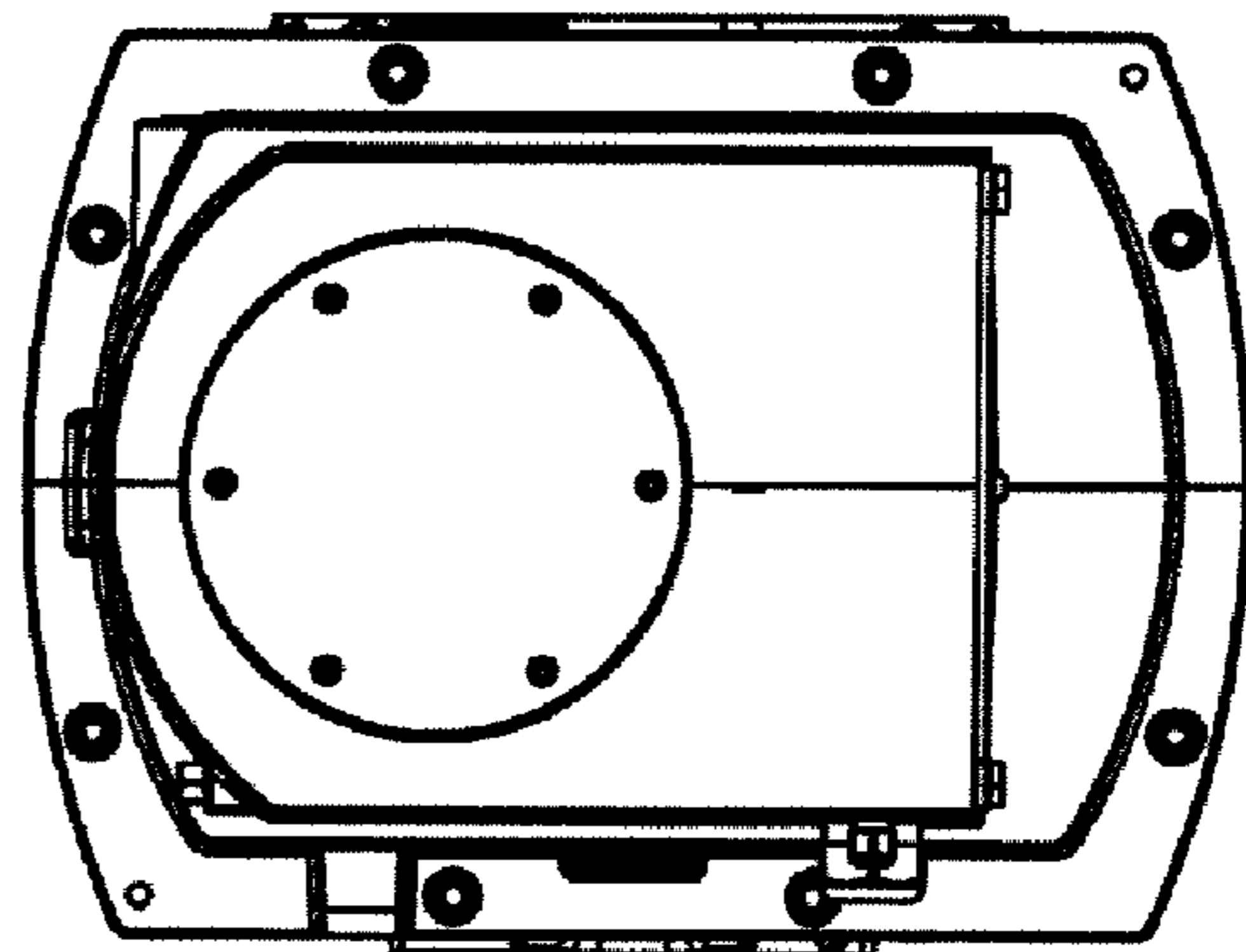


FIGURE 7