



US00D617812S

(12) **United States Design Patent**
Strauser

(10) **Patent No.:** **US D617,812 S**
(45) **Date of Patent:** **** Jun. 15, 2010**

(54) **TOP LOAD CDG PLAYER**

D577,356 S * 9/2008 Moon et al. D14/215

(76) Inventor: **Jack Strauser**, 7778 Bent Grass Ct.,
Largo, FL (US) 33777

* cited by examiner

Primary Examiner—Nanda Bondade
(74) *Attorney, Agent, or Firm*—Larson & Larson, P.A.; Frank
Liebenow

(**) Term: **14 Years**

(21) Appl. No.: **29/344,723**

(57) **CLAIM**

(22) Filed: **Oct. 2, 2009**

I claim the ornamental design for a top load CDG player, as
shown and described.

(51) **LOC (9) Cl.** **14-01**

(52) **U.S. Cl.** **D14/501; D14/168**

(58) **Field of Classification Search** D14/496,
D14/498–511, 162, 168, 171, 188, 197–198;
360/99.02, 99.07; 369/75.11, 75.21, 77.11,
369/77.21; 720/601, 612, 619, 649, 655;
455/344, 347–351

See application file for complete search history.

DESCRIPTION

FIG. 1 is a front elevation view of the top load CDG player
showing my novel design;

FIG. 2 is a rear plan view thereof;

FIG. 3 is a left side elevation view thereof;

FIG. 4 is a right side elevation view thereof;

FIG. 5 is a top plan view thereof;

FIG. 6 is a bottom plan view thereof; and

FIG. 7 is a perspective view thereof; and,

FIG. 8 is a perspective view thereof with disk lid open.

The broken lines showing in FIG. 8 illustrate an external
music player and form no part of the claimed design.

(56) **References Cited**

U.S. PATENT DOCUMENTS

- D475,362 S * 6/2003 Suzuki D14/168
- D491,913 S * 6/2004 Chan D14/171
- D492,277 S * 6/2004 Esslinger et al. D14/168
- D519,976 S * 5/2006 Lee D14/509
- D567,818 S * 4/2008 Zhang D14/496

1 Claim, 5 Drawing Sheets

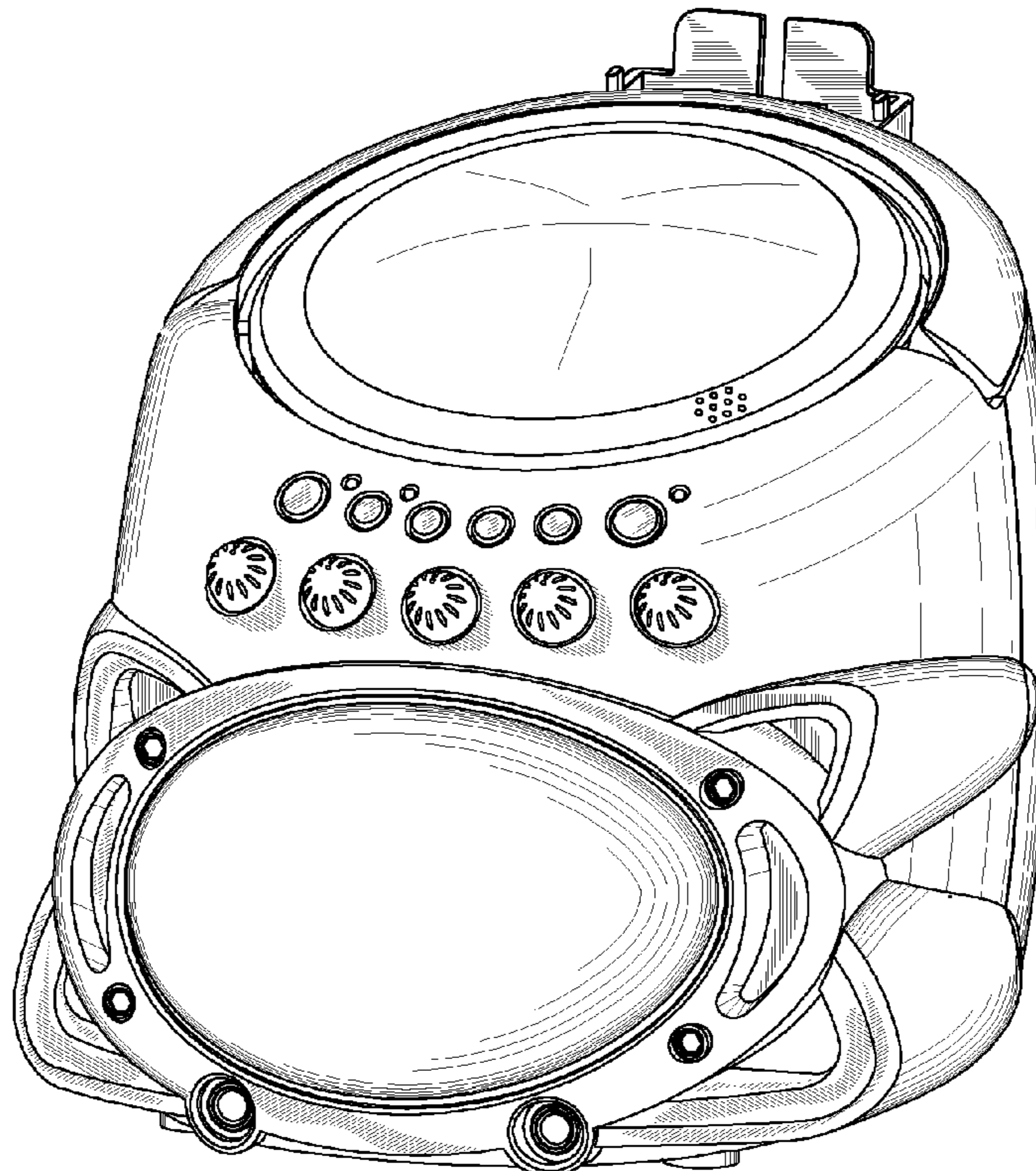


FIG. 1

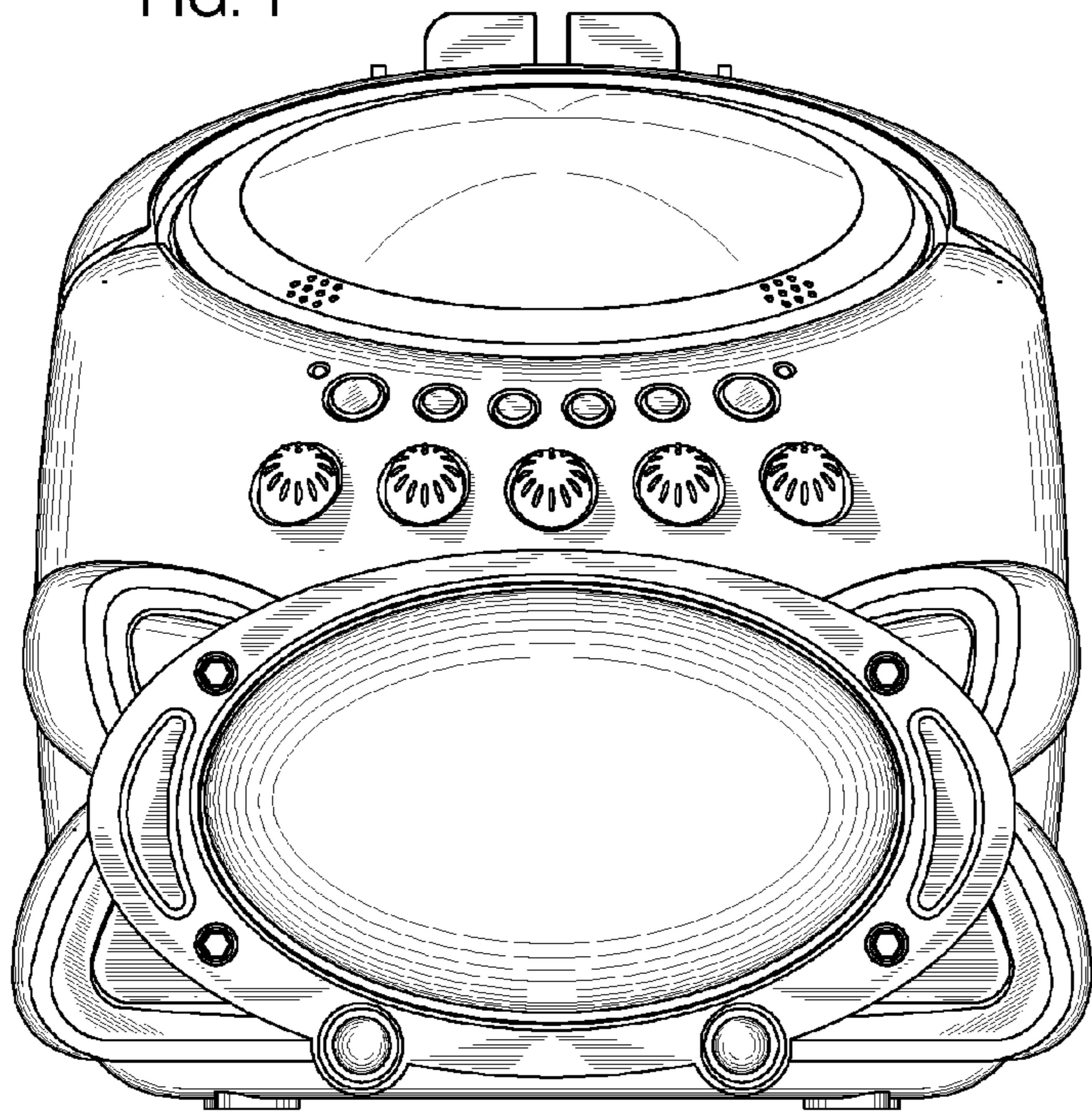


FIG. 2

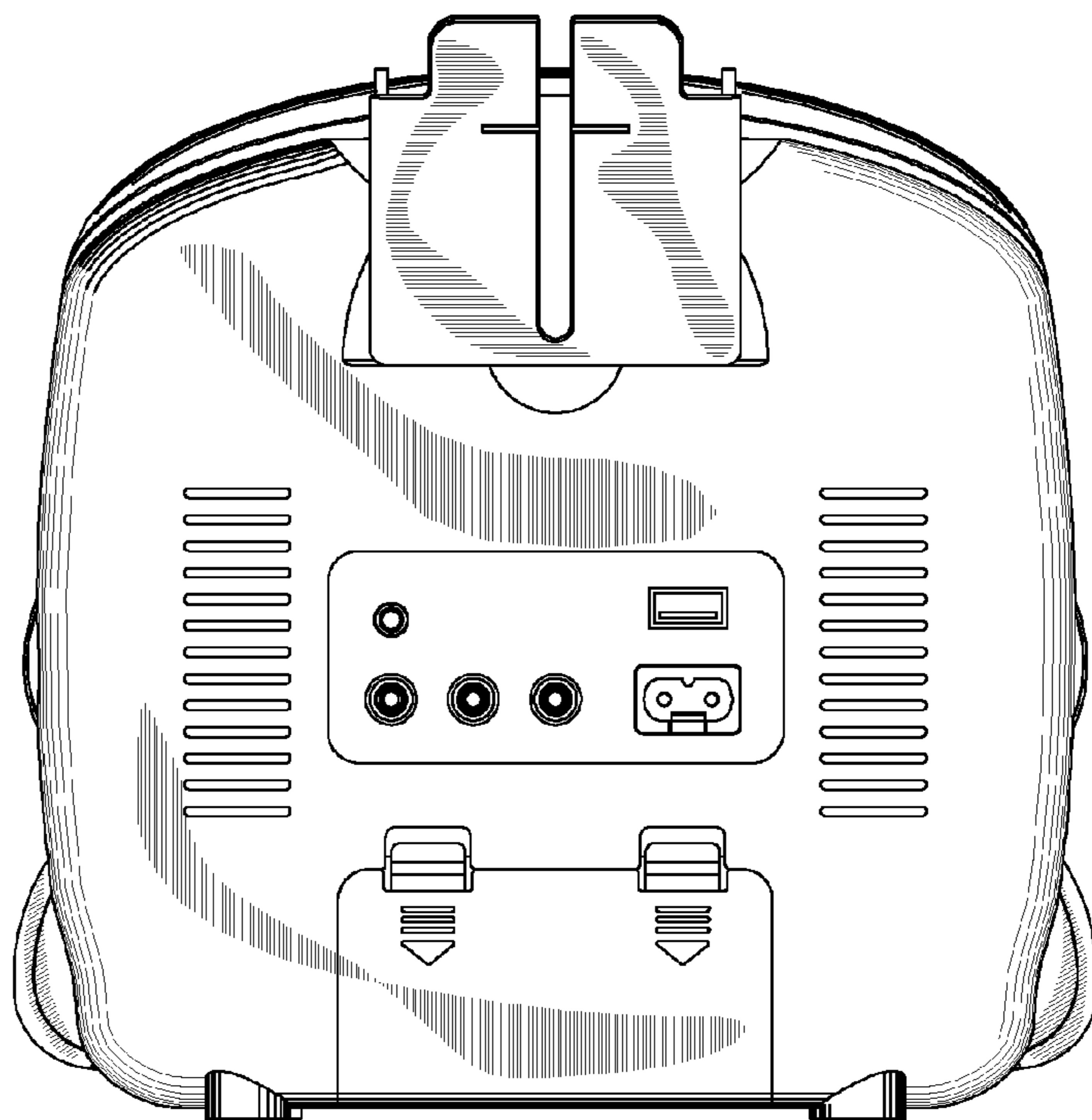


FIG. 3

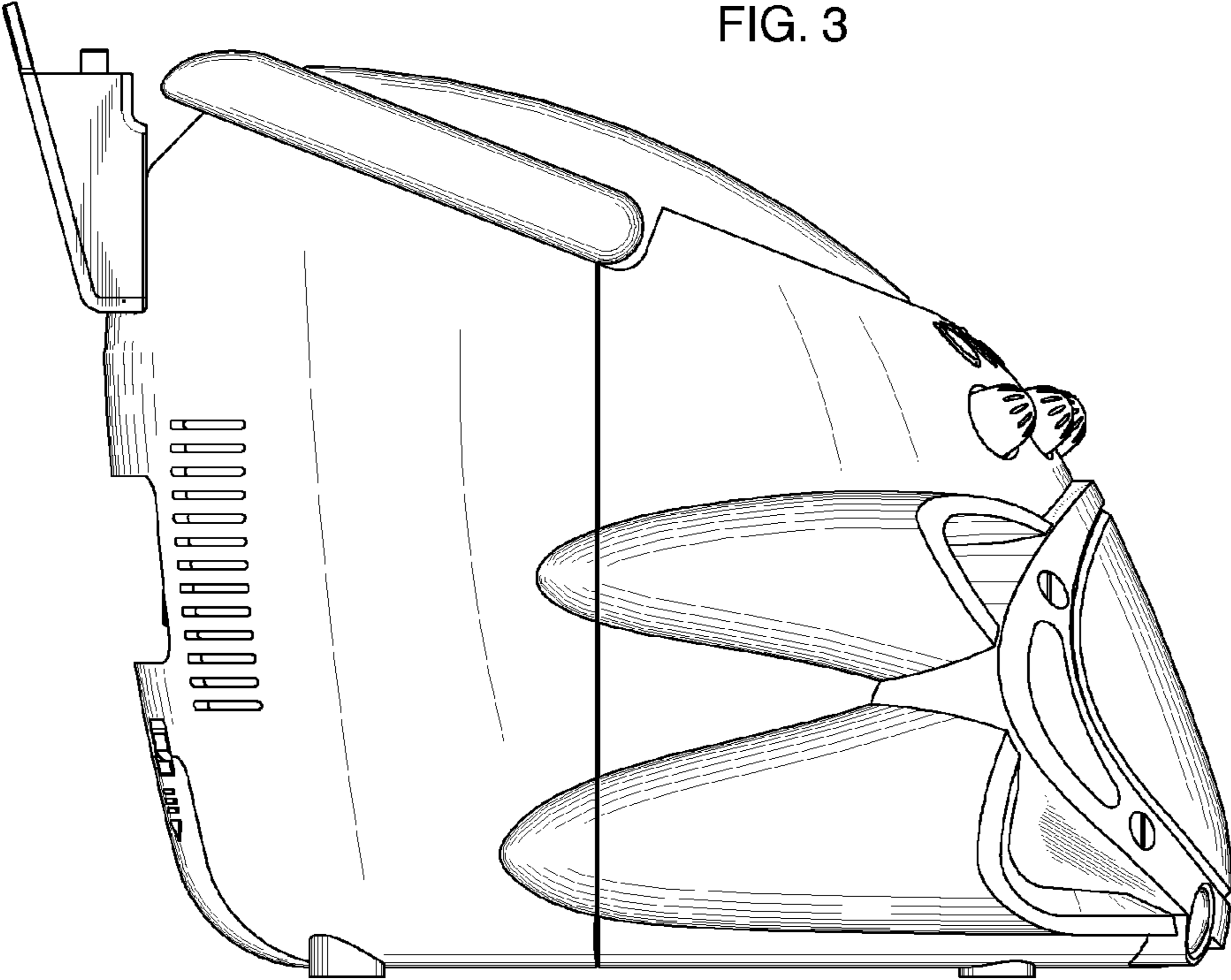


FIG. 4

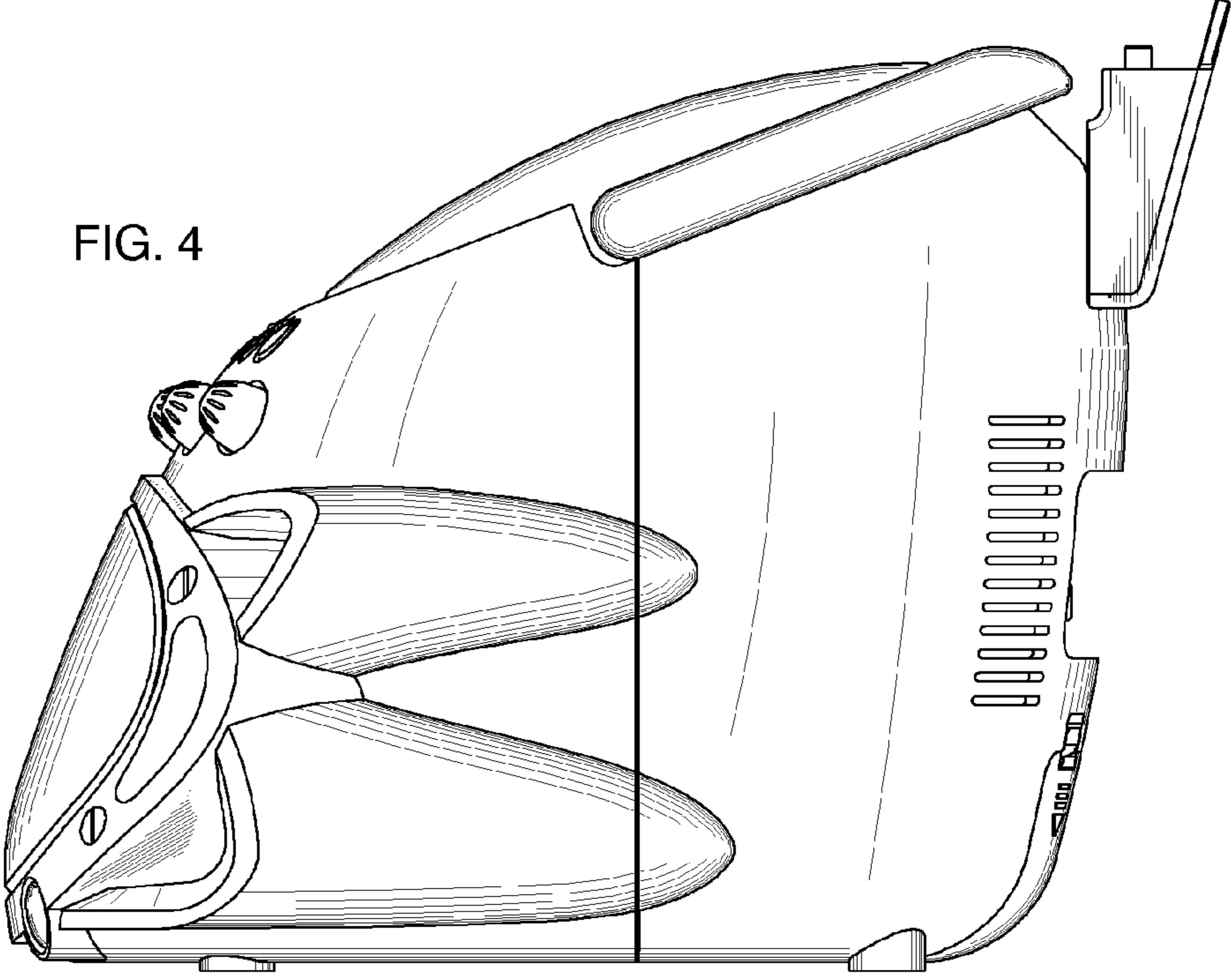


FIG. 6

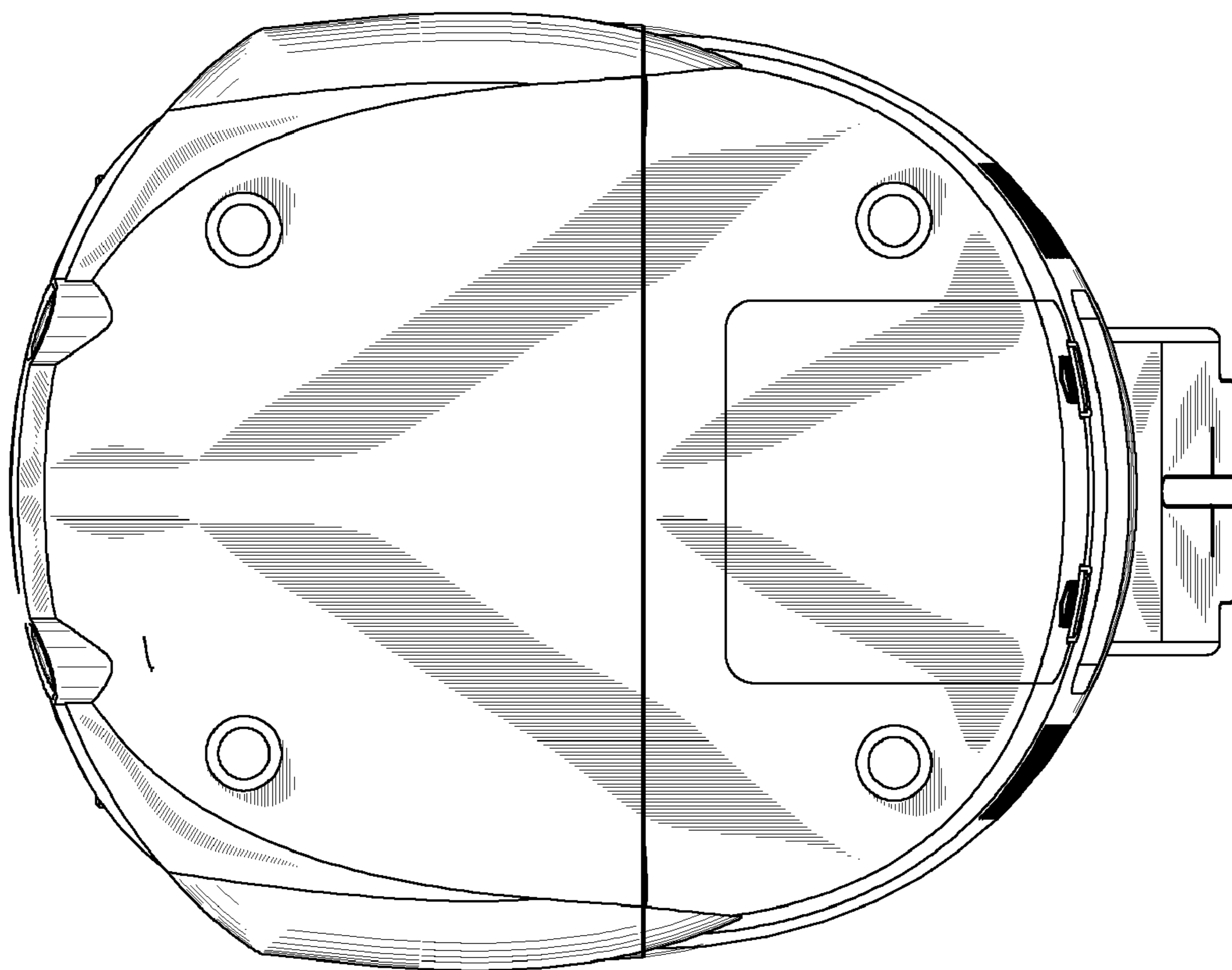


FIG. 5

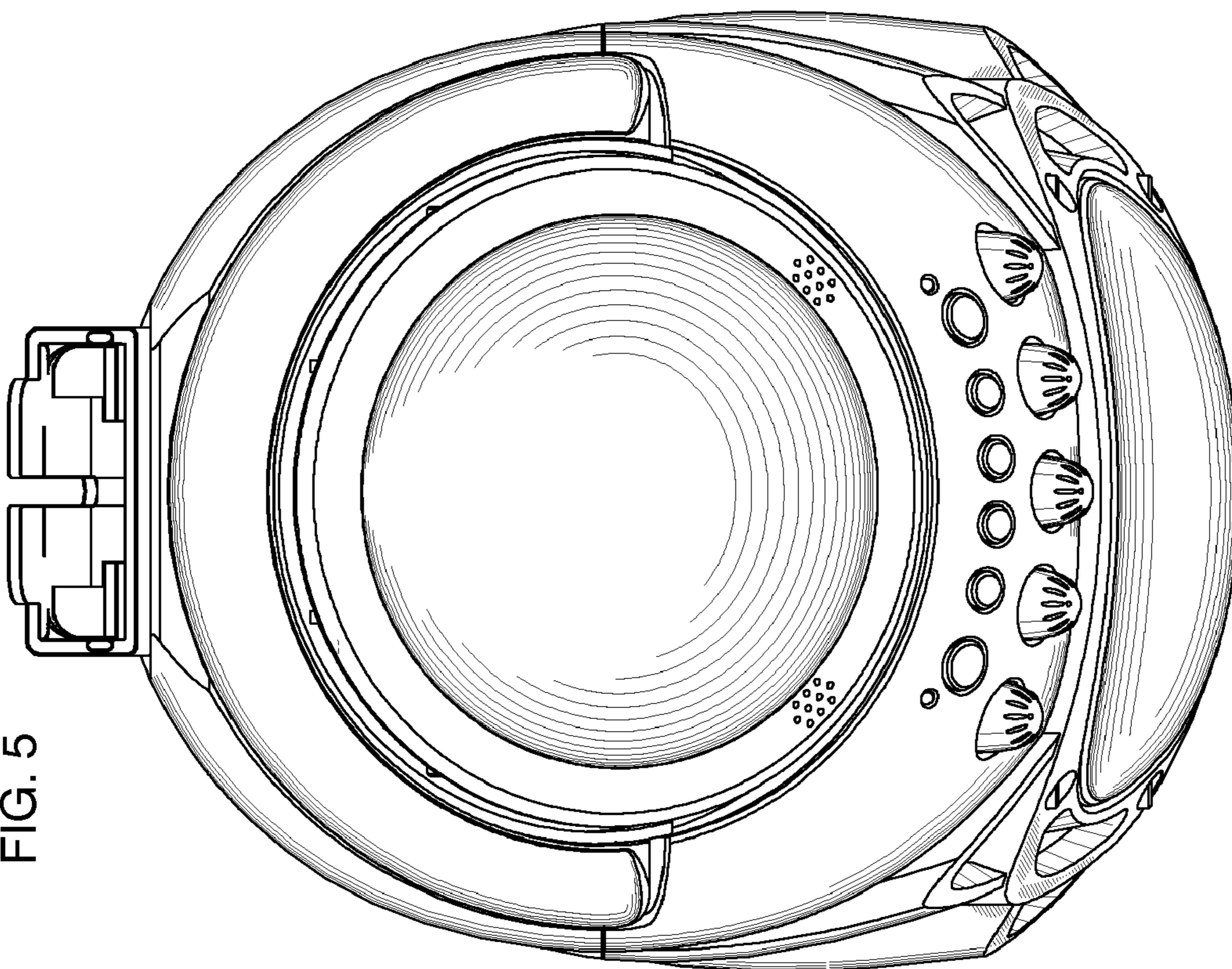


FIG. 7

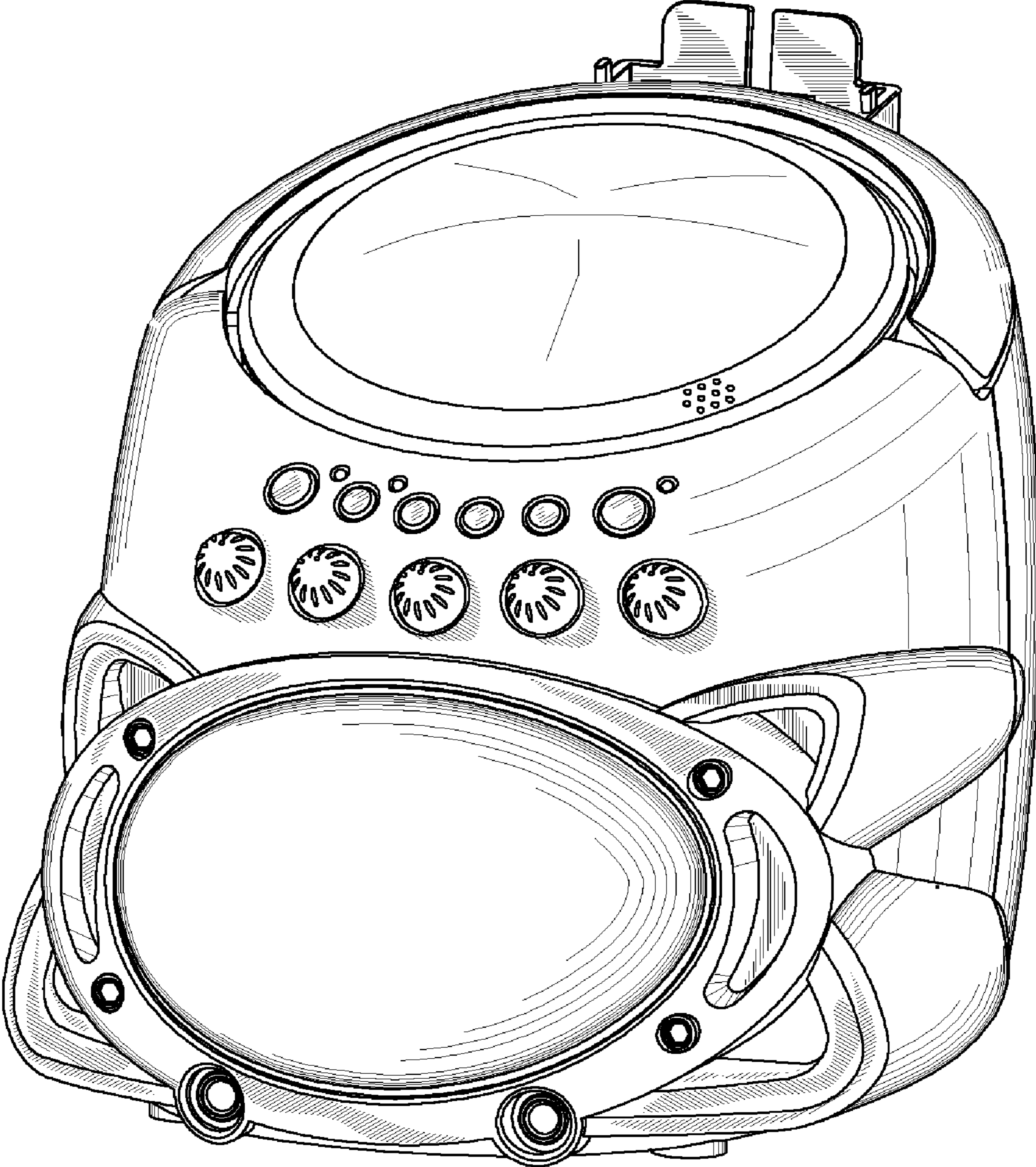


FIG. 8

