



US00D617802S

(12) **United States Design Patent**  
**Holliday et al.**

(10) **Patent No.:** **US D617,802 S**  
(45) **Date of Patent:** **\*\* Jun. 15, 2010**

(54) **KEYPAD FOR A PORTABLE ELECTRONIC DEVICE**

(75) Inventors: **Rebecca Holliday**, Fishers, IN (US); **Karl Werner**, Wiesloch (DE); **Jason Bush**, Fishers, IN (US); **Stacia Davis**, McCordsville, IN (US); **Bettina Steiner**, Indianapolis, IN (US); **Michael Lee Long**, Fishers, IN (US); **Paul Galley**, Cumberland, IN (US); **Ulf Meieroberens**, Stocksund (SE)

(73) Assignee: **Roche Diagnostics Operations, Inc.**, Indianapolis, IN (US)

(\*\*) Term: **14 Years**

(21) Appl. No.: **29/319,422**

(22) Filed: **Jun. 9, 2008**

(51) **LOC (9) Cl.** ..... **14-02**

(52) **U.S. Cl.** ..... **D14/455**

(58) **Field of Classification Search** ..... D14/454, D14/455, 456, 315, 320, 331, 333, 334, 338, D14/339, 341, 342, 343, 344, 345, 346, 347, D14/387, 390, 391, 392, 393, 394, 395, 396, D14/397, 398, 399, 400, 401, 406, 429, 432, D14/439, 457, 460, 461, 247, 150, 218, 900, D14/901, 902, 137, 138 R, 138 AA, 138 AB, D14/138 AC, 138 AD, 138 C, 138 G; D21/333, D21/329, 331; D18/1, 2, 7, 52, 25, 29; D13/138, D13/171; 400/88, 109, 110, 111, 484, 485, 400/486, 487, 488, 490, 492, 493, 494, 496, 400/904; 345/168, 169, 170, 171; 455/556.1, 455/556.2; D20/11, 22, 27

See application file for complete search history.

(56) **References Cited**

**U.S. PATENT DOCUMENTS**

D401,587 S \* 11/1998 Rudolph ..... D14/218

D416,881 S \* 11/1999 Ross ..... D14/456  
D440,970 S \* 4/2001 Henderson et al. .... D14/399  
D476,973 S \* 7/2003 Yamagishi ..... D14/218  
D492,304 S \* 6/2004 Nishida ..... D14/345  
D519,989 S \* 5/2006 Wu ..... D14/218  
D528,993 S \* 9/2006 Wilson ..... D13/168  
D550,211 S \* 9/2007 Ikeda et al. .... D14/218  
D558,834 S \* 1/2008 Au Yeung ..... D21/329  
D571,308 S \* 6/2008 Gastelum et al. .... D13/168  
D593,508 S \* 6/2009 Petersen et al. .... D13/168

\* cited by examiner

*Primary Examiner*—Jennifer Rivard

*Assistant Examiner*—Angela J Lee

(74) *Attorney, Agent, or Firm*—Barnes & Thornburg LLP

(57) **CLAIM**

The ornamental design for a keypad for a portable electronic device, as shown and described.

**DESCRIPTION**

FIG. 1 is a front perspective view of a keypad for a portable electronic device in accordance with our new design;

FIG. 2 is a top view thereof;

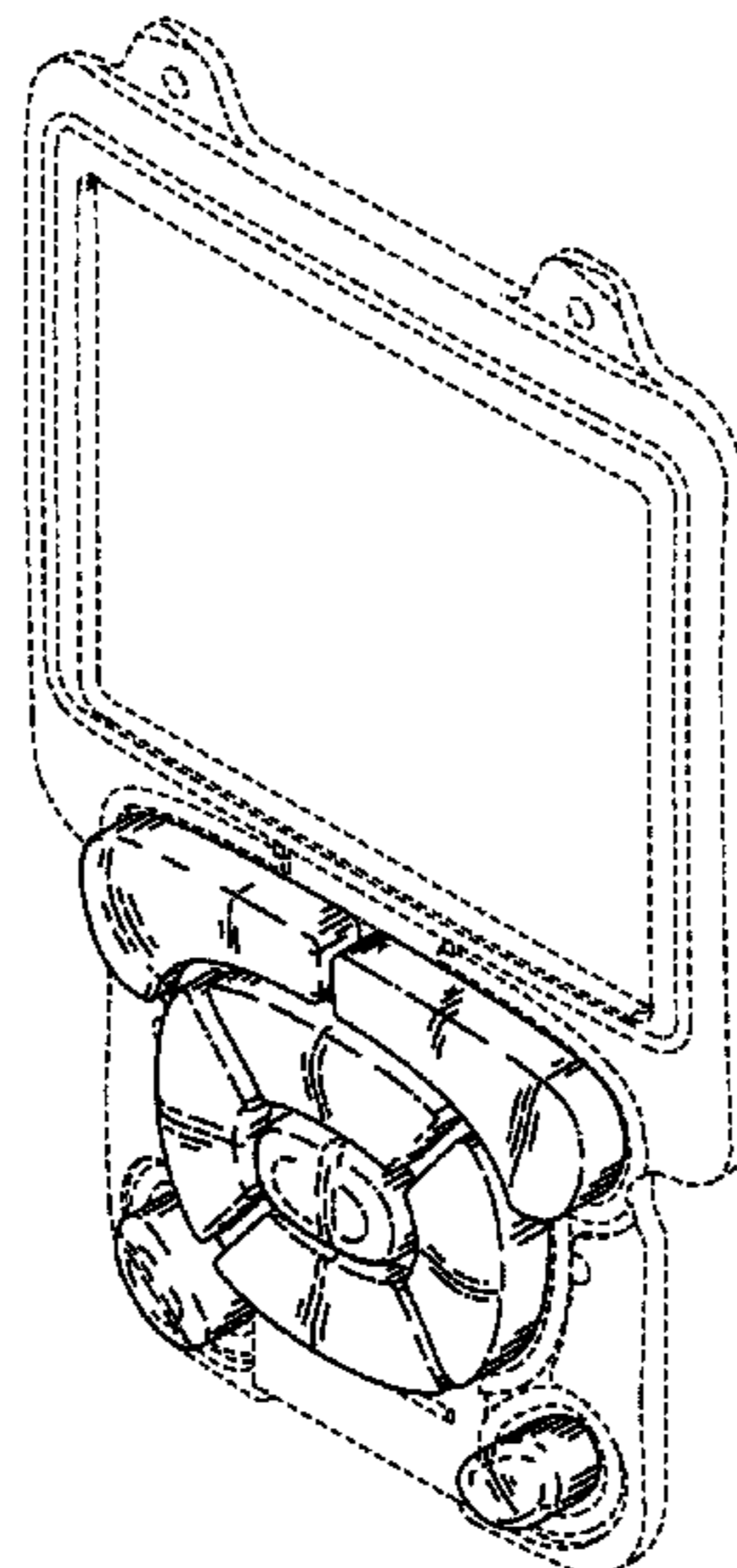
FIG. 3 is a front elevational view thereof;

FIG. 4 is bottom plan view thereof; and,

FIG. 5 is a right side elevational view thereof, the left and right sides of the keypad for a portable electronic device being symmetrical to one another;

The rear view forms no part of the design and is omitted. The broken line showing of environmental structures is for illustrative purposes only and forms no part of the claimed design.

**1 Claim, 2 Drawing Sheets**



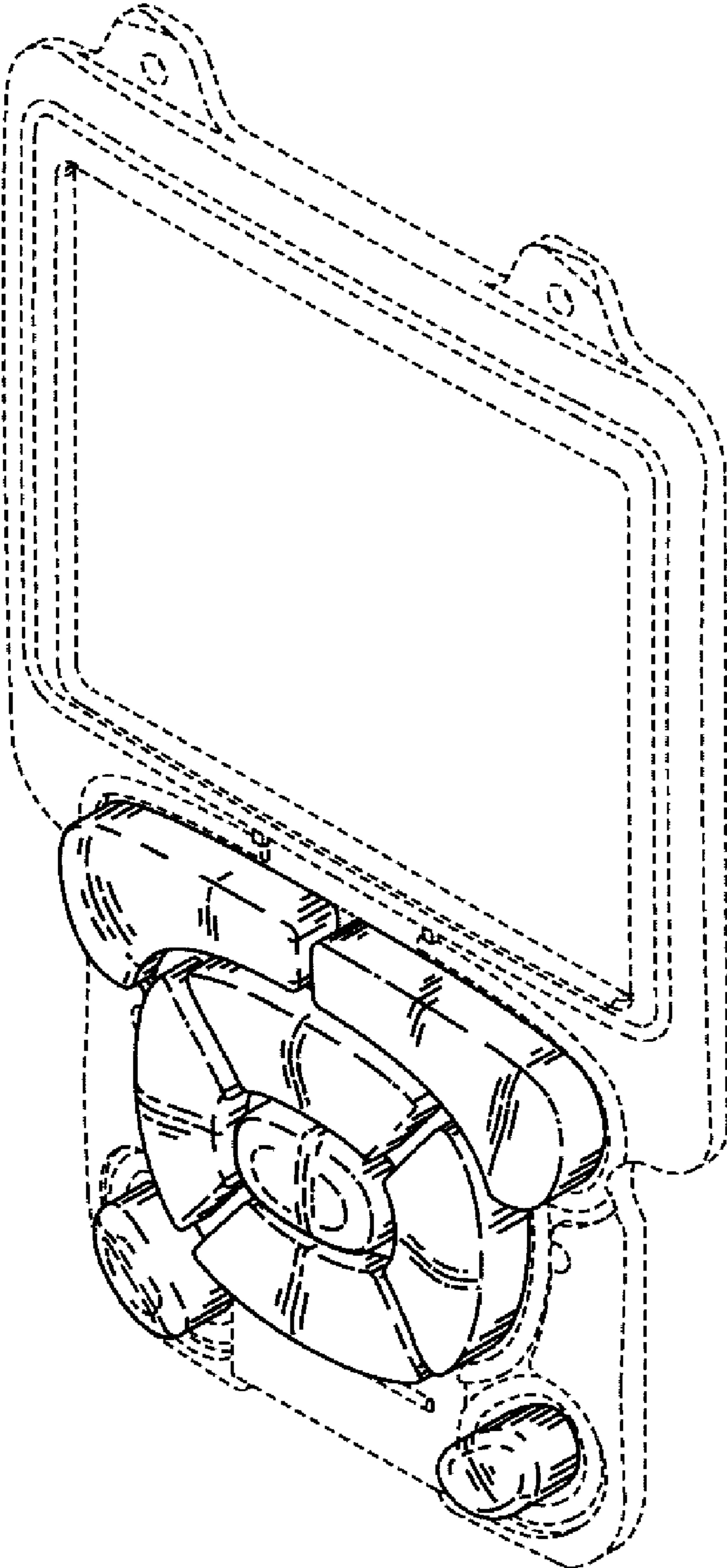


FIG. 1

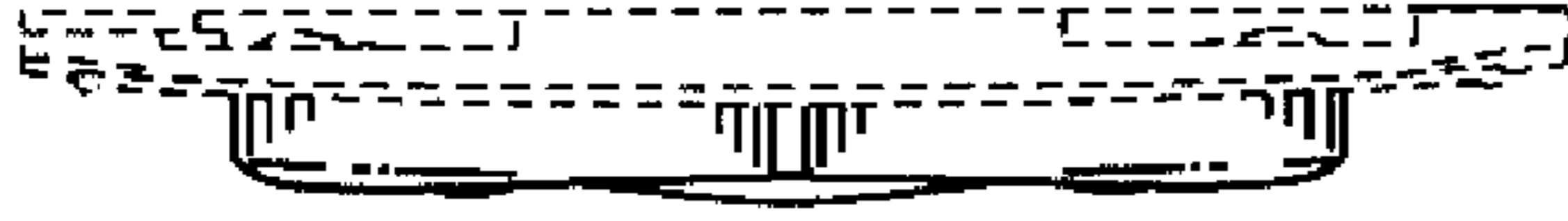


FIG. 2

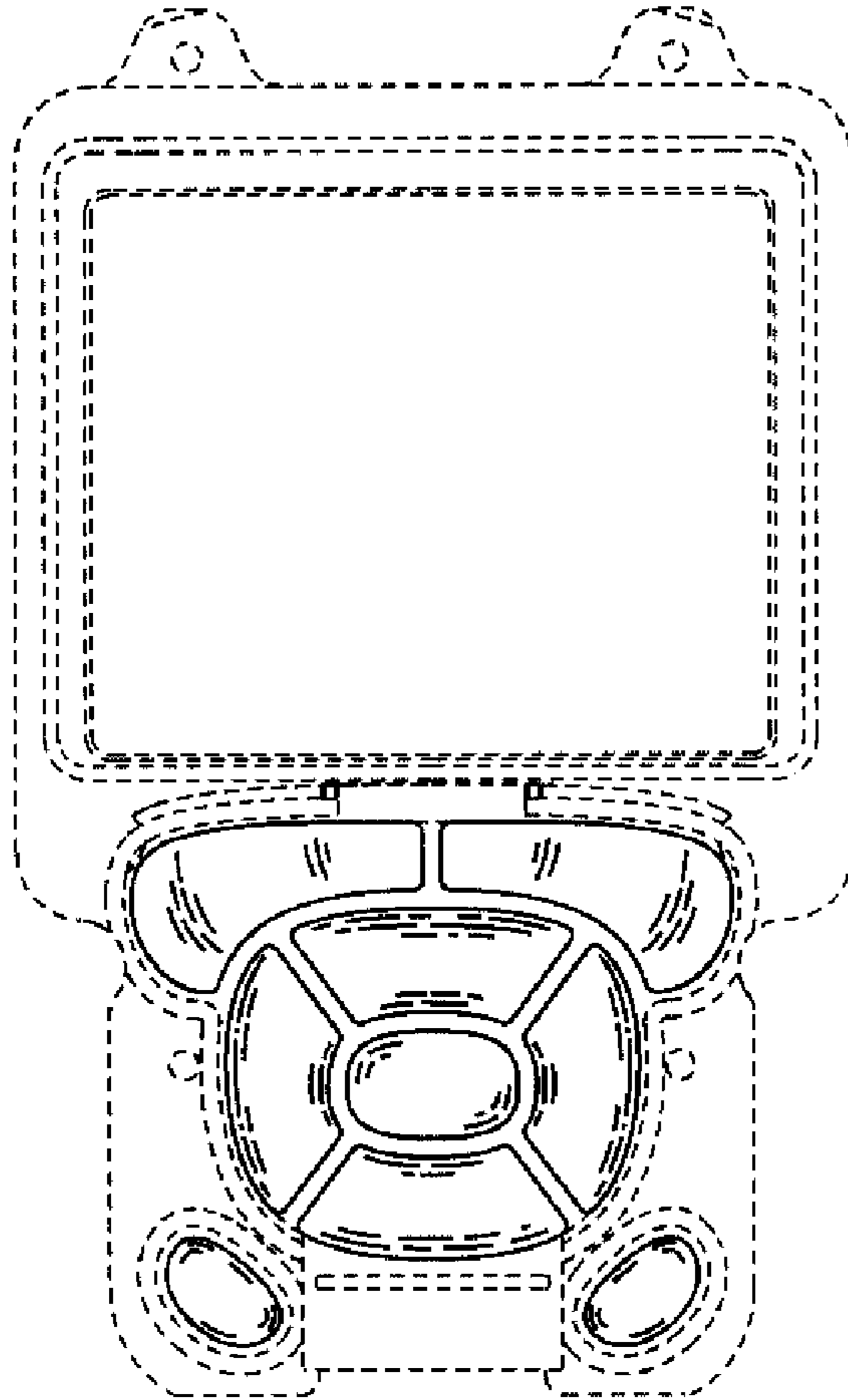


FIG. 3



FIG. 5

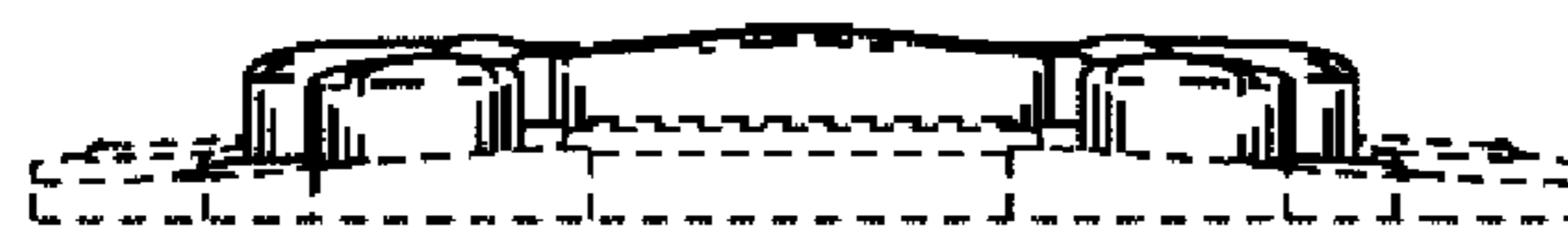


FIG. 4