



US00D617797S

(12) **United States Design Patent**
Moon et al.

(10) **Patent No.:** **US D617,797 S**
(45) **Date of Patent:** **** Jun. 15, 2010**

(54) **STYLUS PEN**

(75) Inventors: **Ji-Hyun Moon**, Kyunggi-do (KR);
Sung-Jin Ann, Seoul (KR); **Jae-Hwa Moon**, Seoul (KR)

(73) Assignee: **Samsung Electronics Co., Ltd.**, Suwon, Kyunggi-do (KR)

(**) Term: **14 Years**

(21) Appl. No.: **29/316,003**

(22) Filed: **Aug. 14, 2009**

(51) **LOC (9) Cl.** **14-02**

(52) **U.S. Cl.** **D14/411**

(58) **Field of Classification Search** D8/61;
D14/411, 240; D19/35, 36, 41-51, 54-58;
401/55, 99, 100, 104-107, 196, 197, 202,
401/208, 209, 213, 192, 195, 243; 708/107;
345/179, 173; 178/19.01; 700/94

See application file for complete search history.

(56) **References Cited**

U.S. PATENT DOCUMENTS

D354,566 S *	1/1995	Donahoo	D24/152
D458,856 S *	6/2002	Prineppi	D10/78
D461,204 S *	8/2002	Klefbom	D19/36
D472,240 S *	3/2003	Seog	D14/411
D500,790 S *	1/2005	Jaakkola	D19/43

D534,136 S *	12/2006	Voigt et al.	D14/411
D549,229 S *	8/2007	Chiang	D14/411
D574,381 S *	8/2008	Chan	D14/431
D576,674 S *	9/2008	Tseng	D19/36
D595,719 S *	7/2009	Hu	D14/411
D604,768 S *	11/2009	Andoh et al.	D19/54

* cited by examiner

Primary Examiner—Cathron C Brooks

Assistant Examiner—Austin Murphy

(74) *Attorney, Agent, or Firm*—Flynn, Thiel, Boutell & Tanis, P.S.

(57) **CLAIM**

The ornamental design for a stylus pen, as shown and described.

DESCRIPTION

FIG. 1 is a top front perspective view of a stylus pen showing our new design;

FIG. 2 is a front elevational view thereof;

FIG. 3 is a rear elevational view thereof;

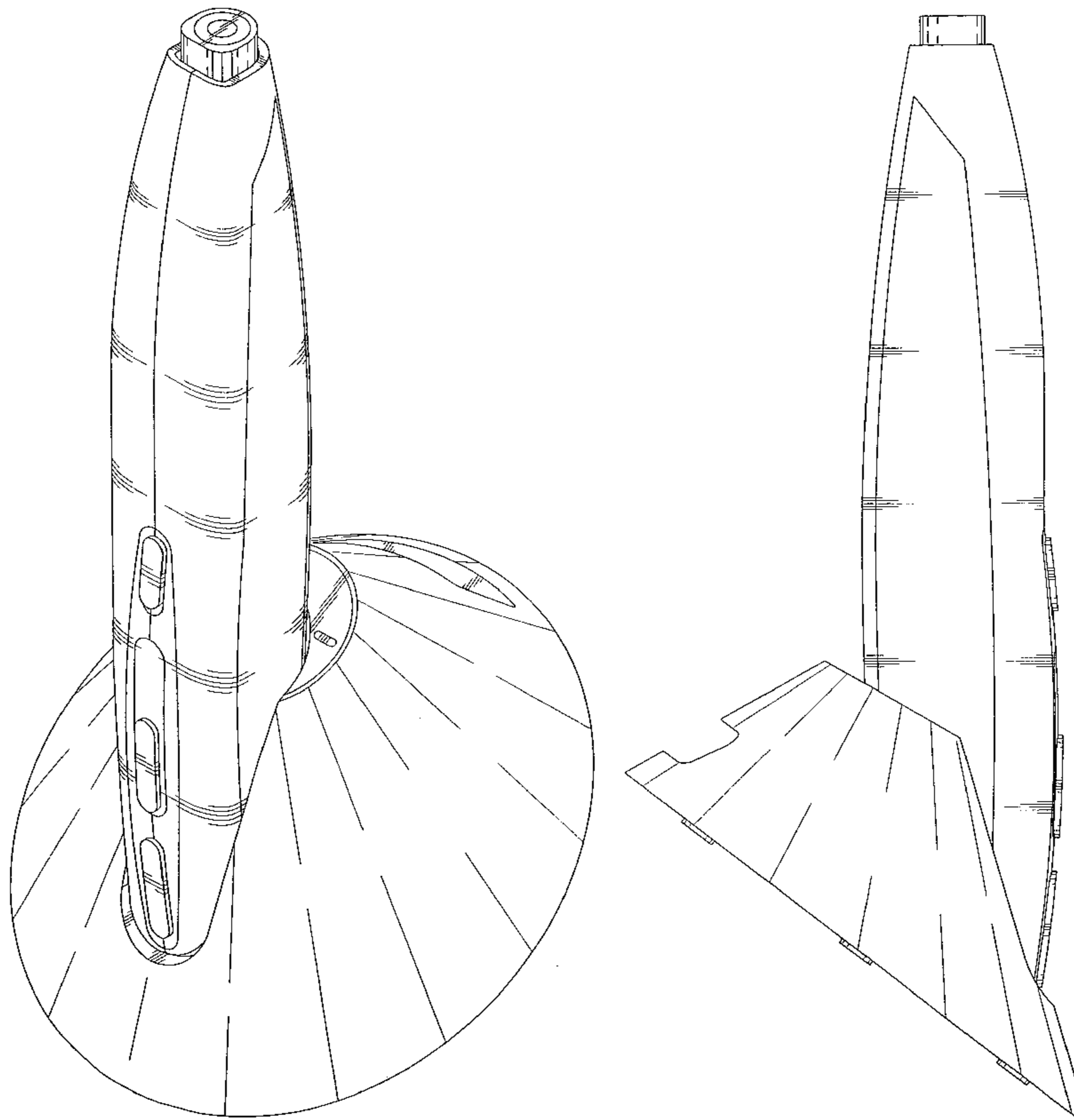
FIG. 4 is a left side elevational view thereof;

FIG. 5 is a right side elevational view thereof;

FIG. 6 is a top plan view thereof; and,

FIG. 7 is a bottom plan view thereof.

1 Claim, 6 Drawing Sheets



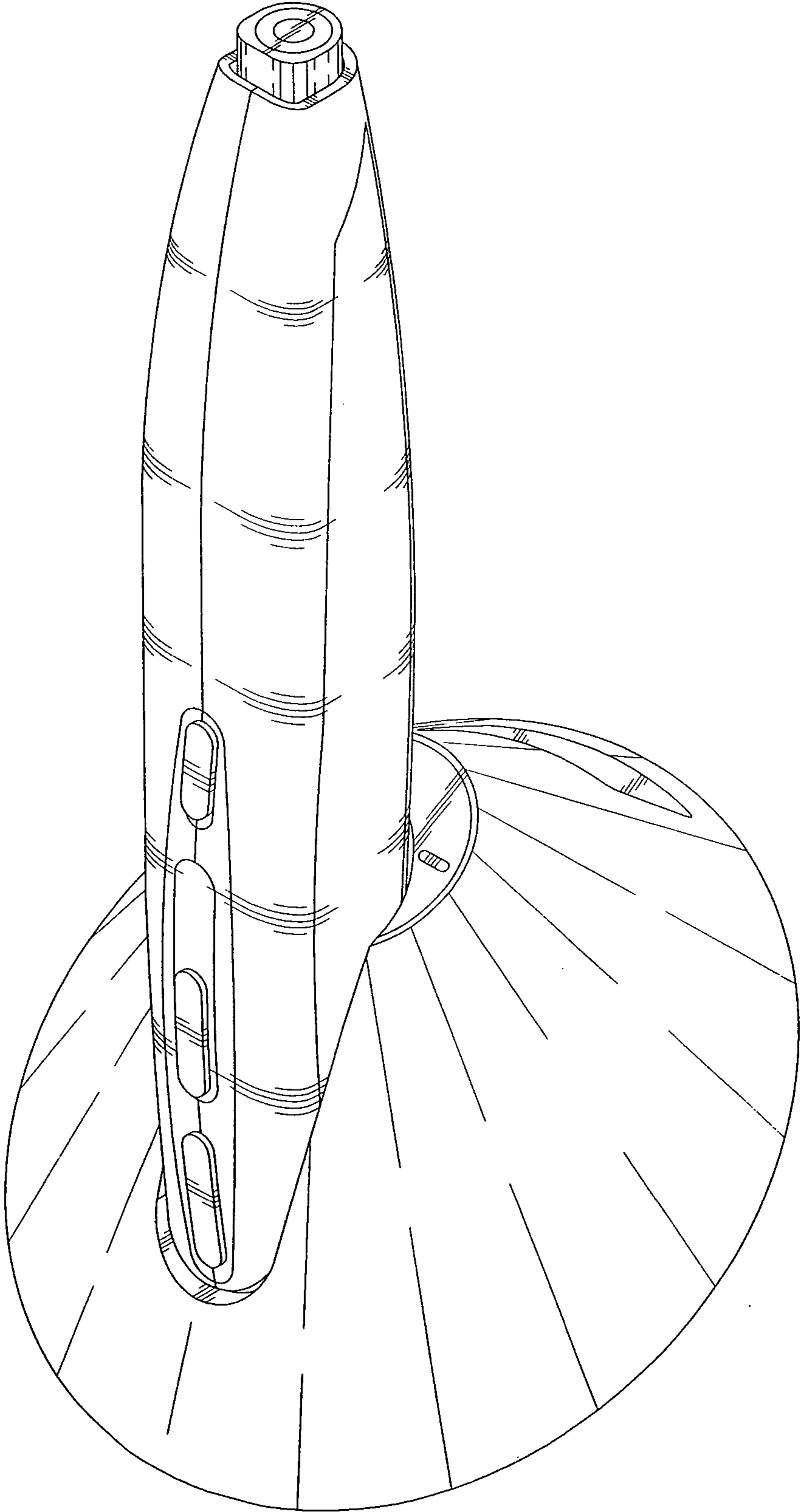


FIG. 1

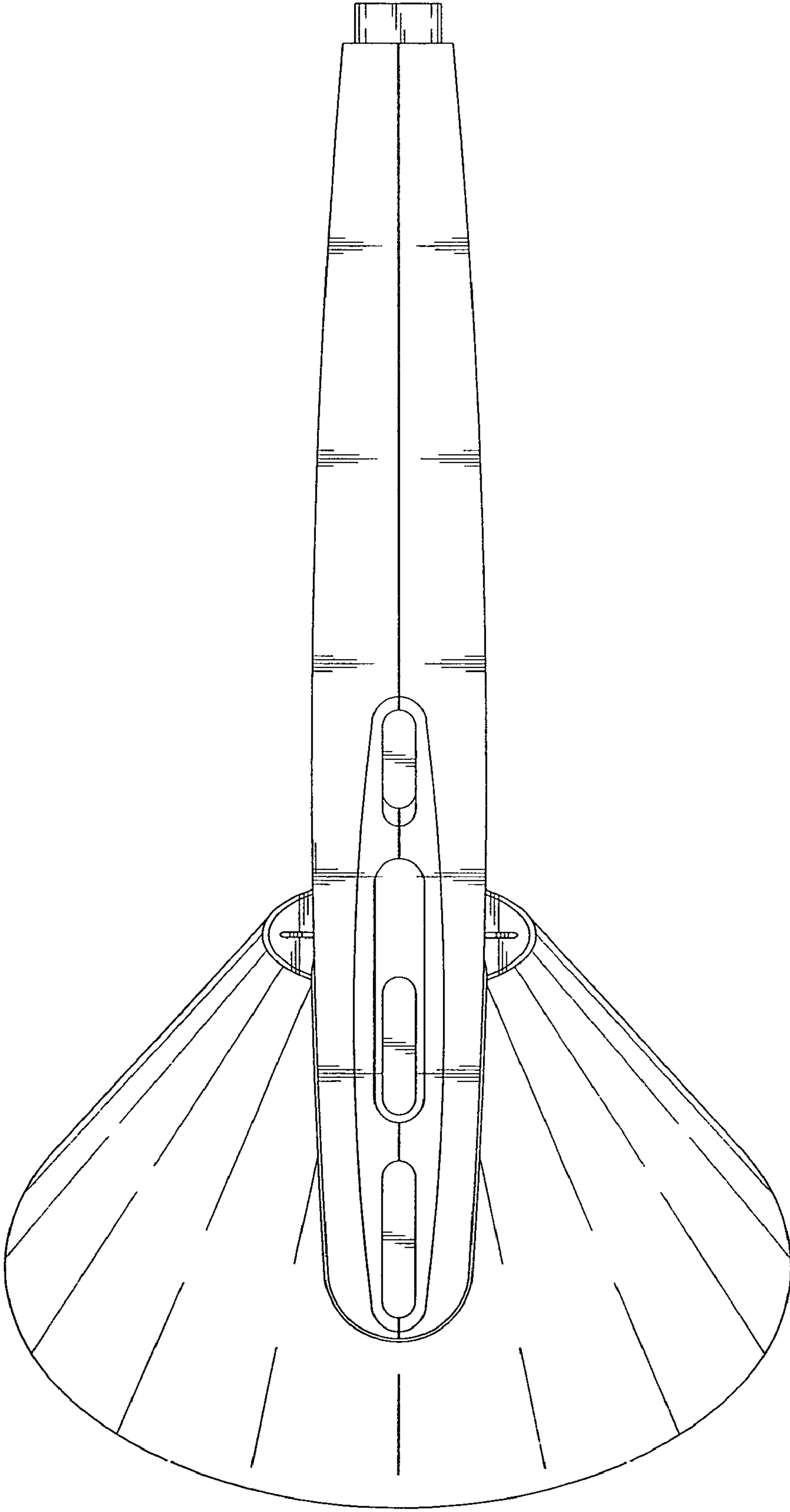


FIG. 2

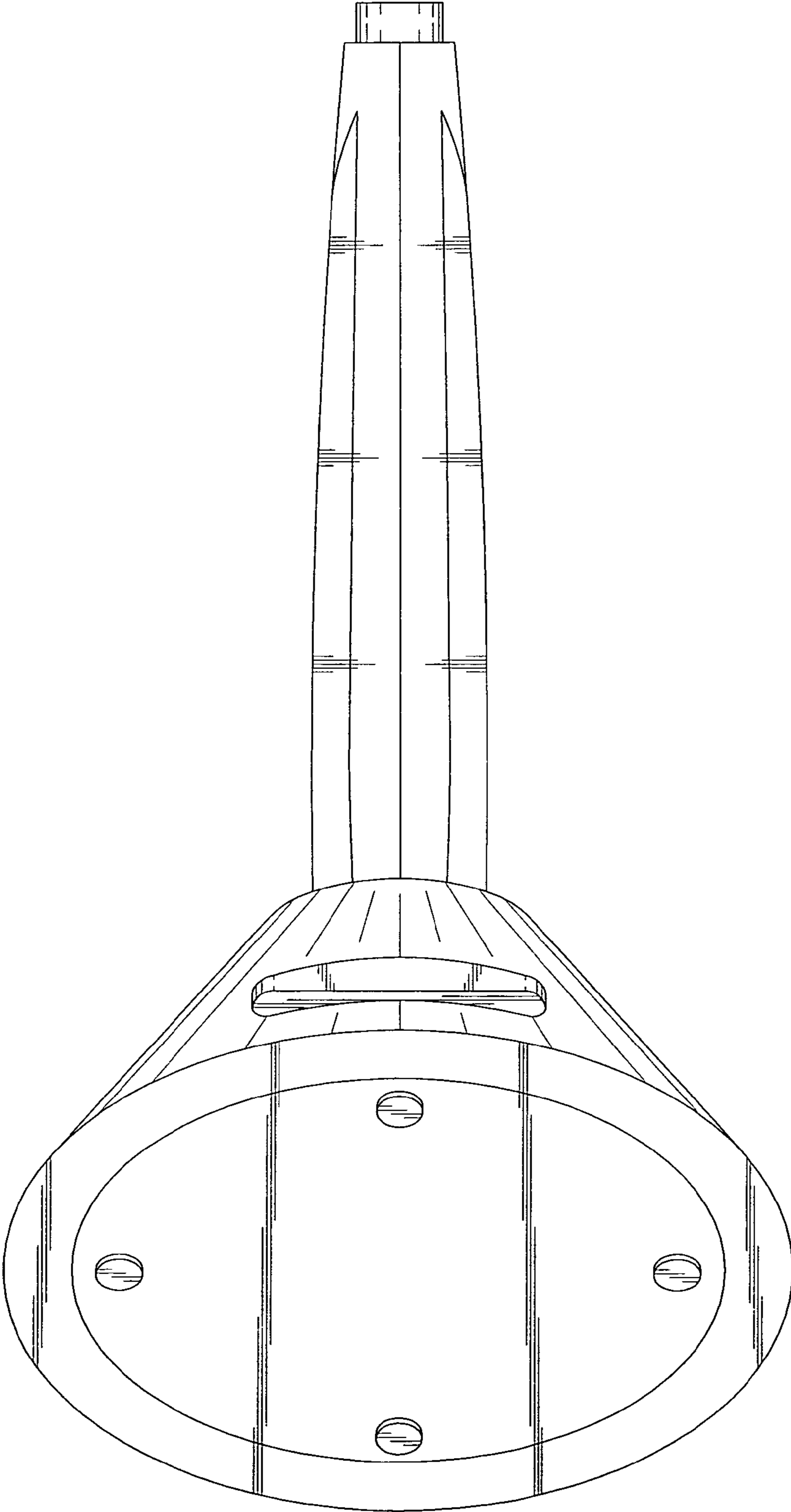


FIG. 3

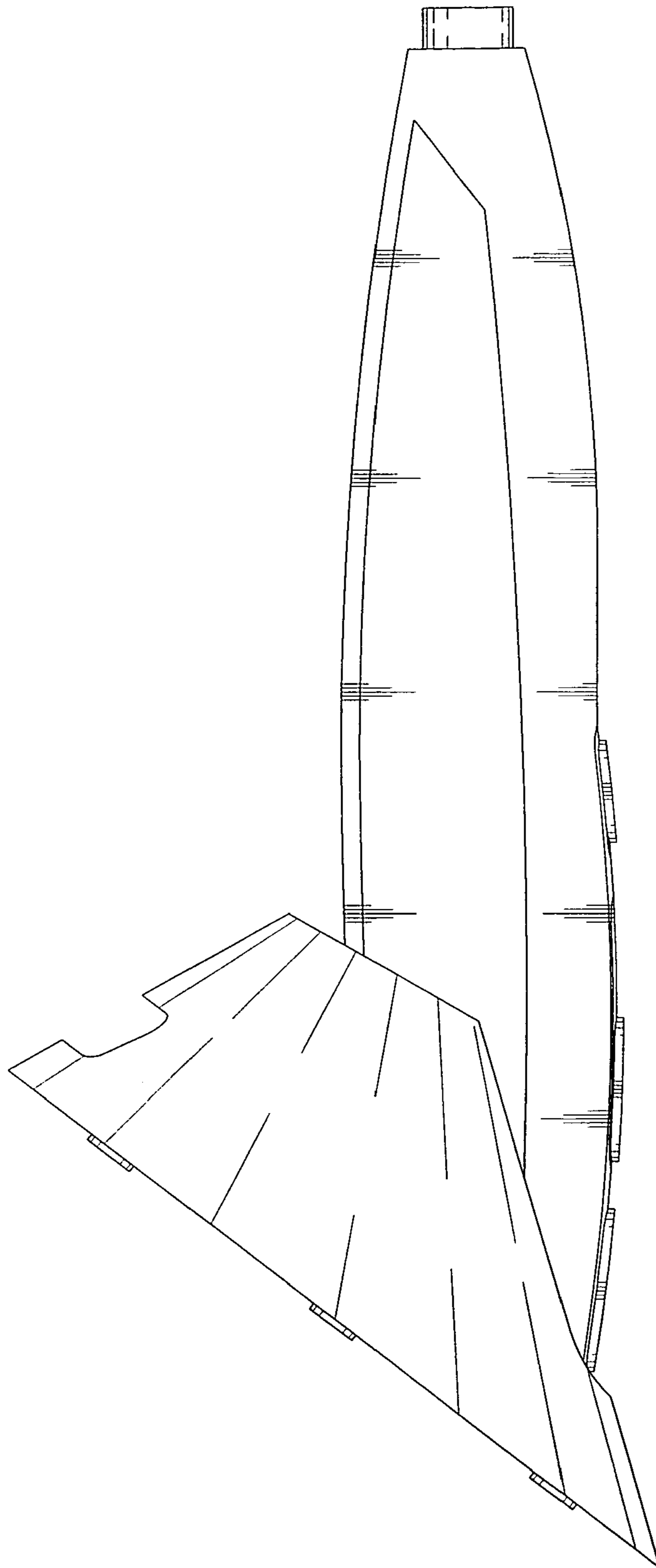


FIG. 4

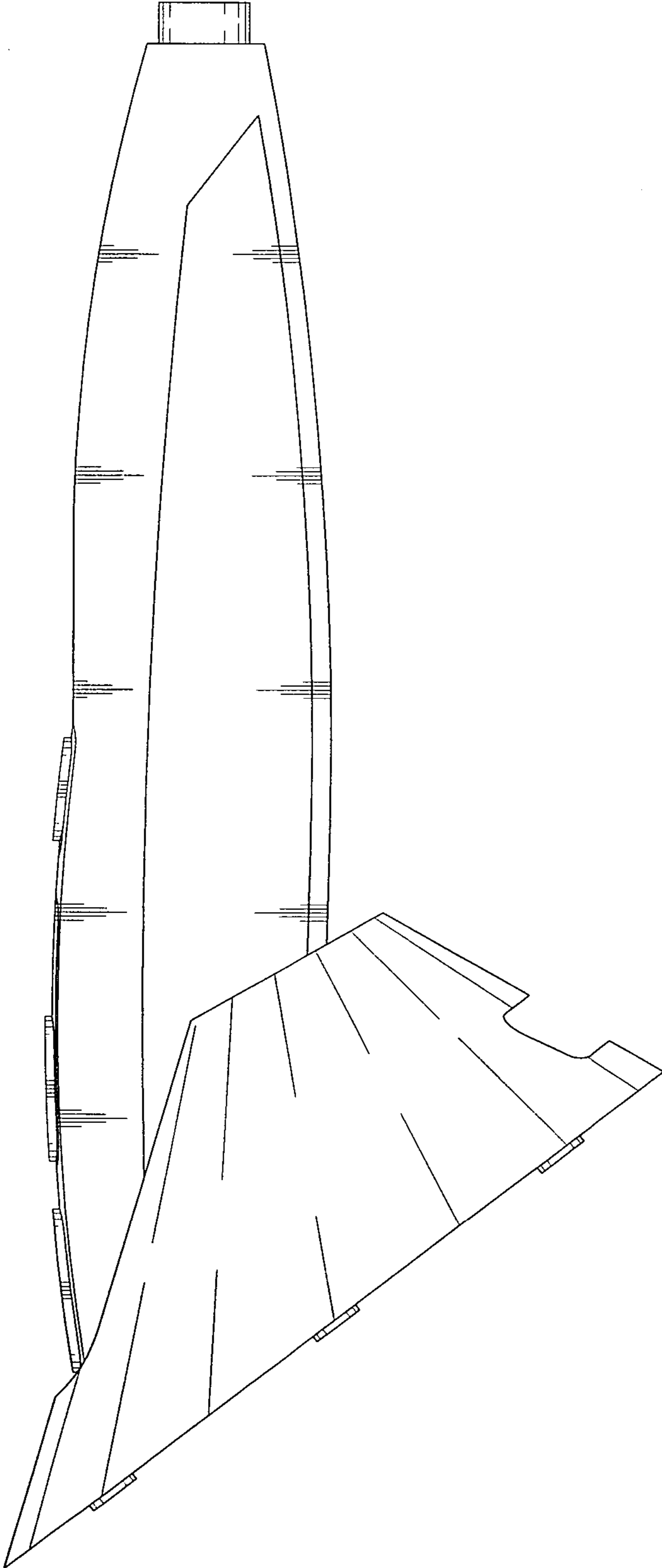


FIG. 5

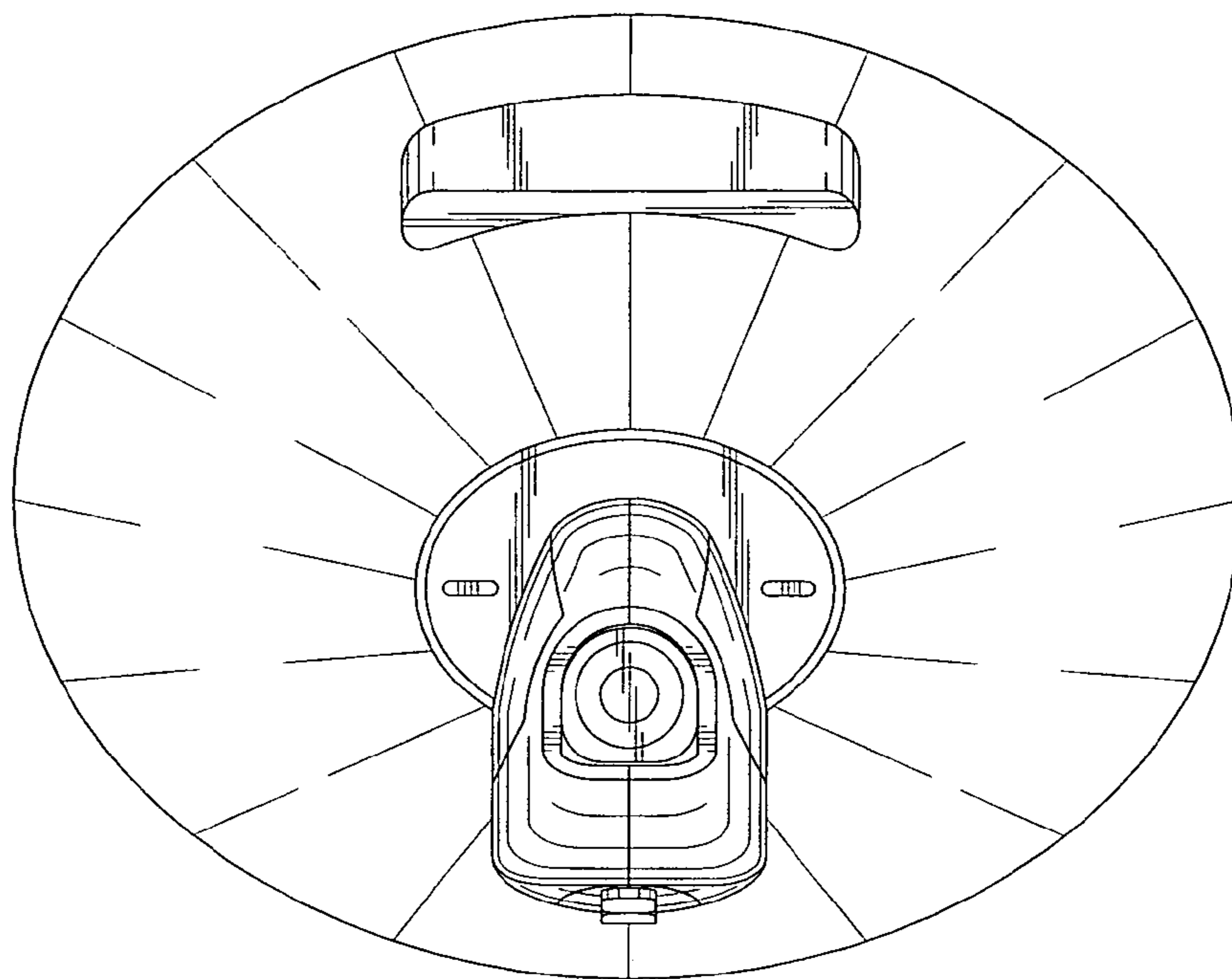


FIG. 6

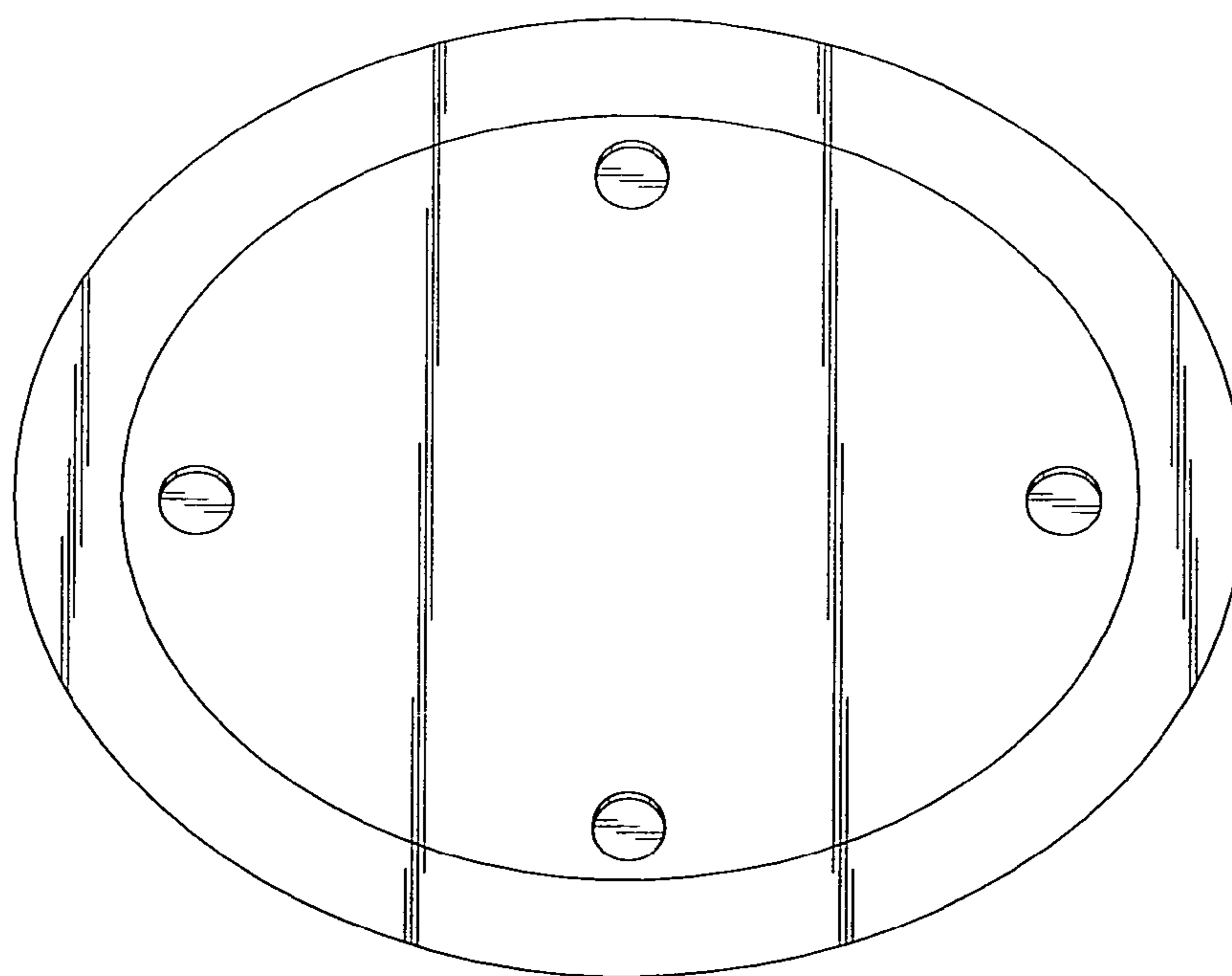


FIG. 7