



US00D617793S

(12) **United States Design Patent**
Chiang et al.

(10) **Patent No.:** **US D617,793 S**
(45) **Date of Patent:** **** Jun. 15, 2010**

(54) **PORTABLE ELECTRONIC DEVICE**

(75) Inventors: **Meng-Sheng Chiang**, Taoyuan County (TW); **Feng-Chen Chang**, Taoyuan County (TW)

(73) Assignee: **HTC Corporation**, Taoyuan (TW)

(**) Term: **14 Years**

(21) Appl. No.: **29/342,299**

(22) Filed: **Aug. 21, 2009**

(51) **LOC (9) Cl.** **14-02**

(52) **U.S. Cl.** **D14/341**

(58) **Field of Classification Search** D14/341-347, D14/137, 138, 138.1, 138 AA, 138 R, 138 AB, D14/18 AC, 138 AD, 138 C, 138 G, 496, D14/203.1, 203.3, 203.4, 203.5, 203.6, 203.7, D14/402-411, 431, 417, 426, 427, 428, 432, D14/429, 129, 130, 420, 439-441, 448, 125, D14/147, 156, 218, 247-248, 250, 389; D10/65, D10/104; D21/324, 329, 330, 331; 455/556.1, 455/556.2, 566, 575.1, 575.3, 575.4, 90.3, 455/6.1; 379/433.04, 433.11, 433.12, 433.13, 379/910, 916, 433.01, 433.06, 433.07; 345/169, 345/901, 905; 361/814; 341/122; 346/173; 273/454-456, 459-461, 153 R, 148 R, 148 B, 273/259, 138.2, 237; 463/1, 46, 47, 47.3; D3/18, 19, 26, 200, 201, 203.1-203.8, 205, D3/207, 212, 218, 226-228, 247, 250, 265, D3/269, 272, 303, 304, 309, 315, 321; D9/700, D9/500, 414, 337; D28/5, 61, 73, 76, 78, D28/83

See application file for complete search history.

(56) **References Cited**

U.S. PATENT DOCUMENTS

D284,084 S * 6/1986 Ferrara, Jr. D14/389

D333,574 S * 3/1993 Ackeret D6/300
D337,569 S * 7/1993 Kando D14/341
D557,259 S * 12/2007 Hirsch D14/217
D558,460 S * 1/2008 Yu et al. D6/308
D569,629 S * 5/2008 Yu et al. D6/308
D580,431 S * 11/2008 Morita D14/341
D585,399 S * 1/2009 Hwang D14/130
D601,353 S * 10/2009 Sadler et al. D6/308
D602,015 S * 10/2009 Andre et al. D14/341
D602,017 S * 10/2009 Andre et al. D14/341
D602,487 S * 10/2009 Maskatia D14/341

* cited by examiner

Primary Examiner—Cathron C Brooks

Assistant Examiner—Barbara Fox

(74) *Attorney, Agent, or Firm*—Birch, Stewart, Kolasch & Birch, LLP

(57) **CLAIM**

The ornamental design for portable electronic device, as shown and described.

DESCRIPTION

FIG. 1 is a front perspective view of a portable electronic device showing our new design;

FIG. 2 is a front side view thereof;

FIG. 3 is a rear side view thereof;

FIG. 4 is a left side view thereof;

FIG. 5 is a right side view thereof;

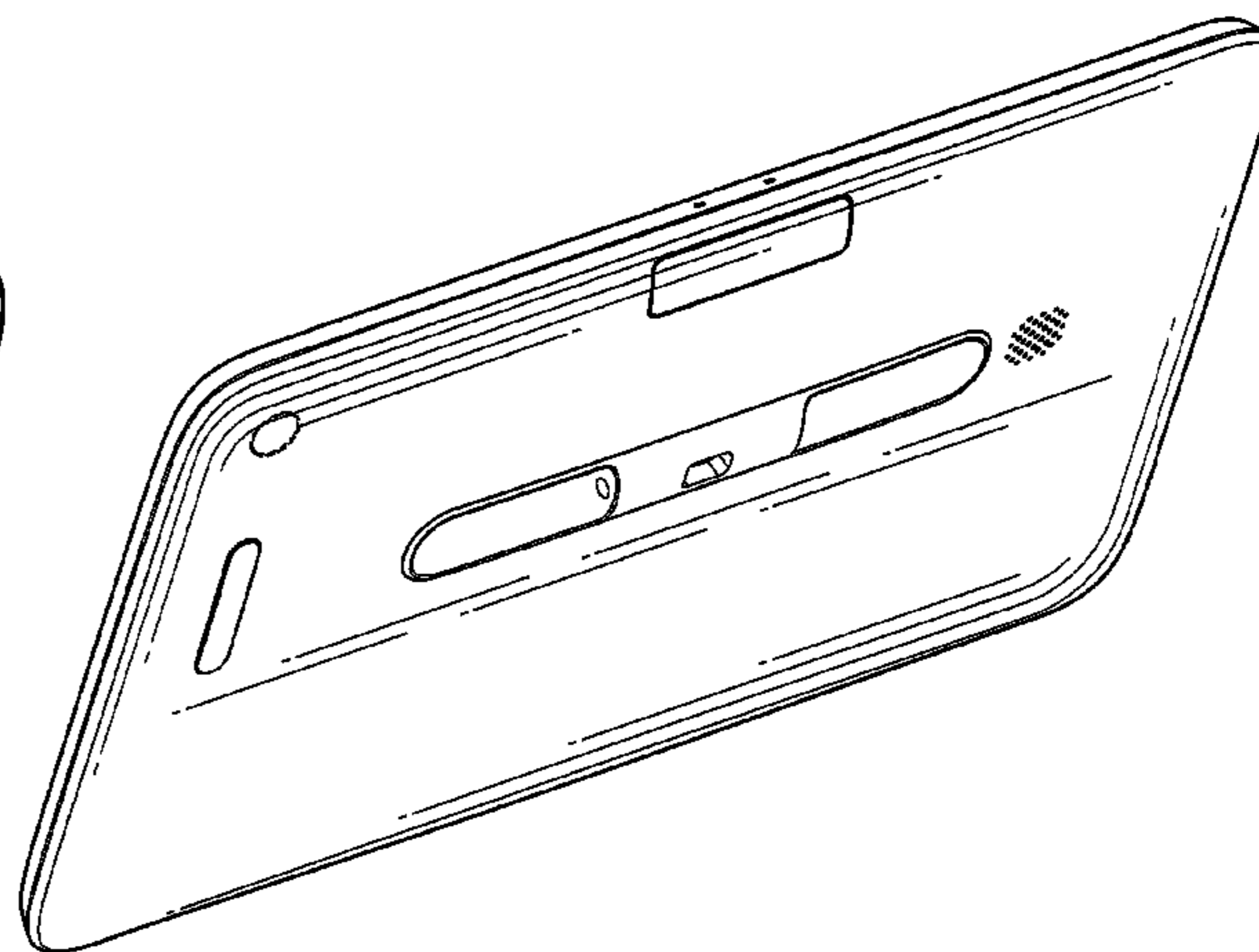
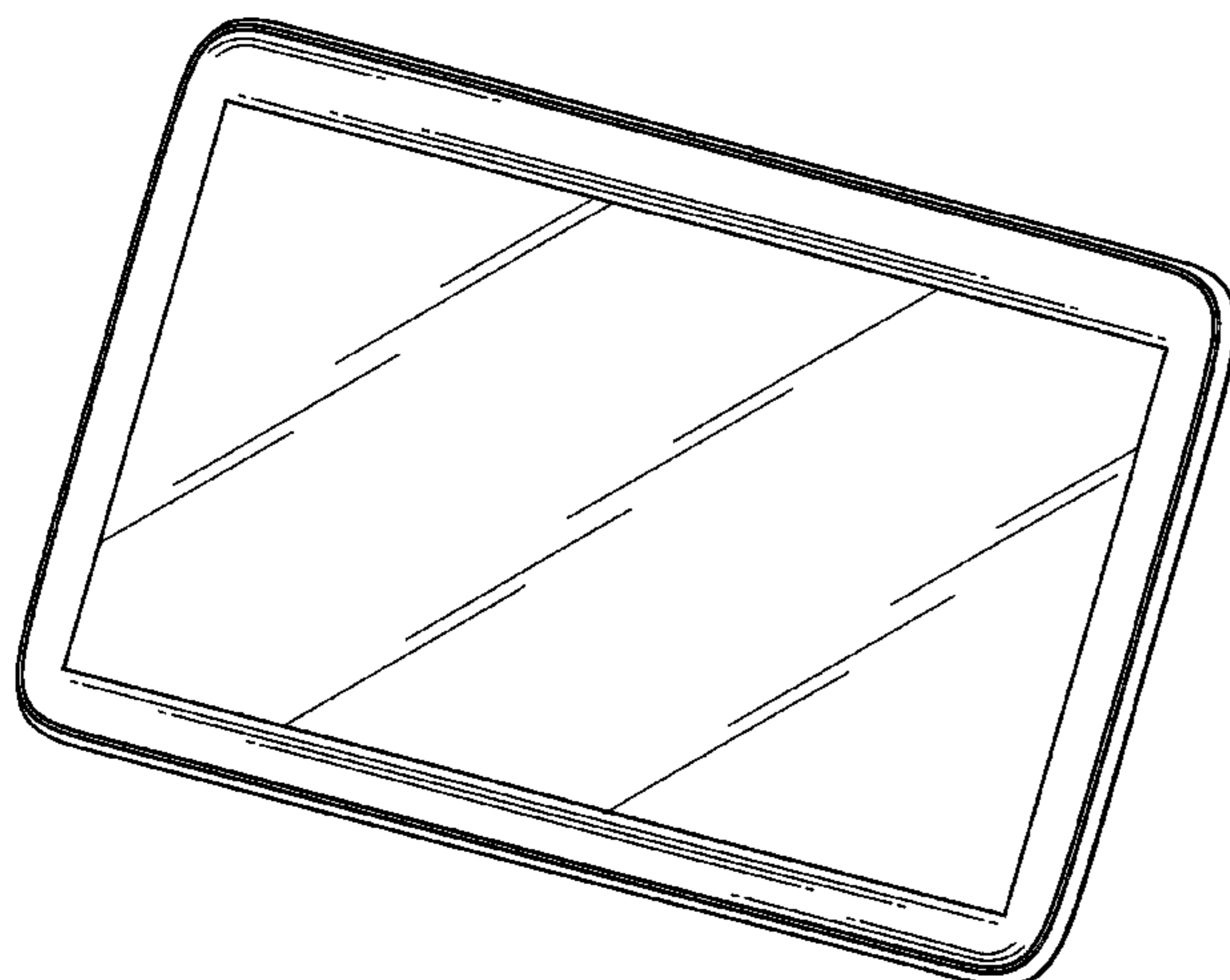
FIG. 6 is a top plan view thereof;

FIG. 7 is a bottom plan view thereof; and,

FIG. 8 is a rear perspective view thereof.

The broken lines shown in the drawings are for the purpose of illustrating unclaimed portions of the portable electronic device and form no part of the claimed design.

1 Claim, 7 Drawing Sheets



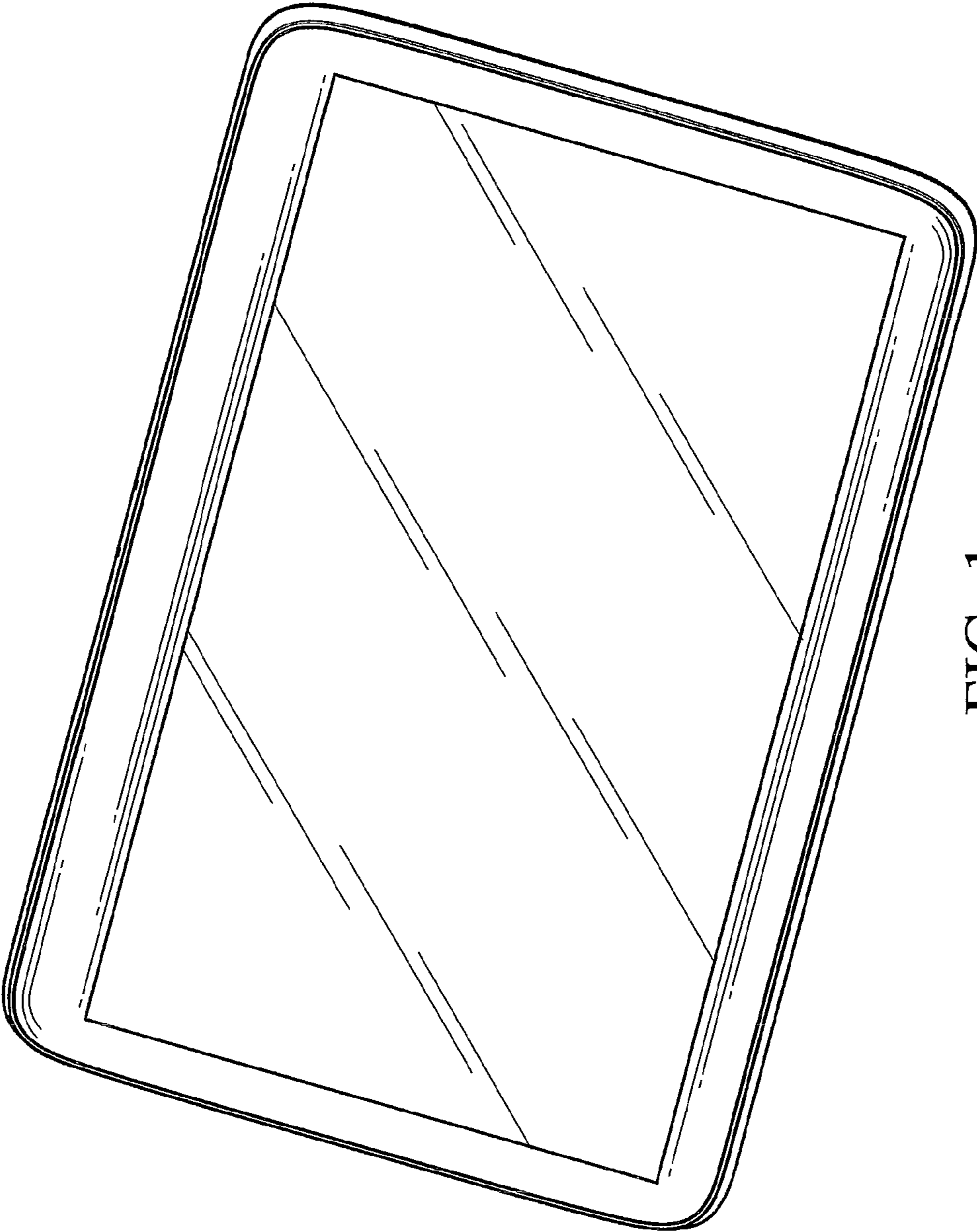


FIG. 1

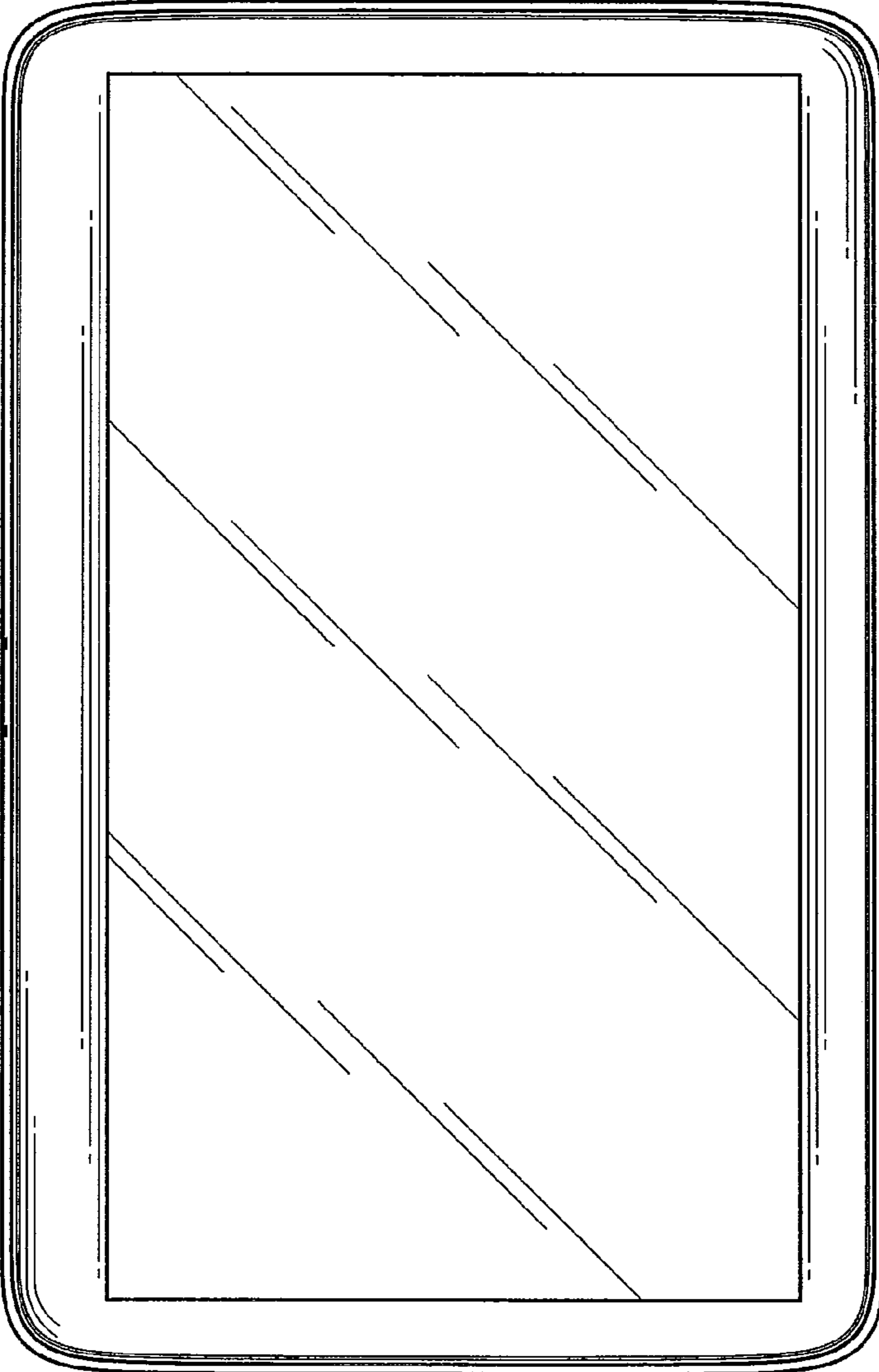


FIG. 2

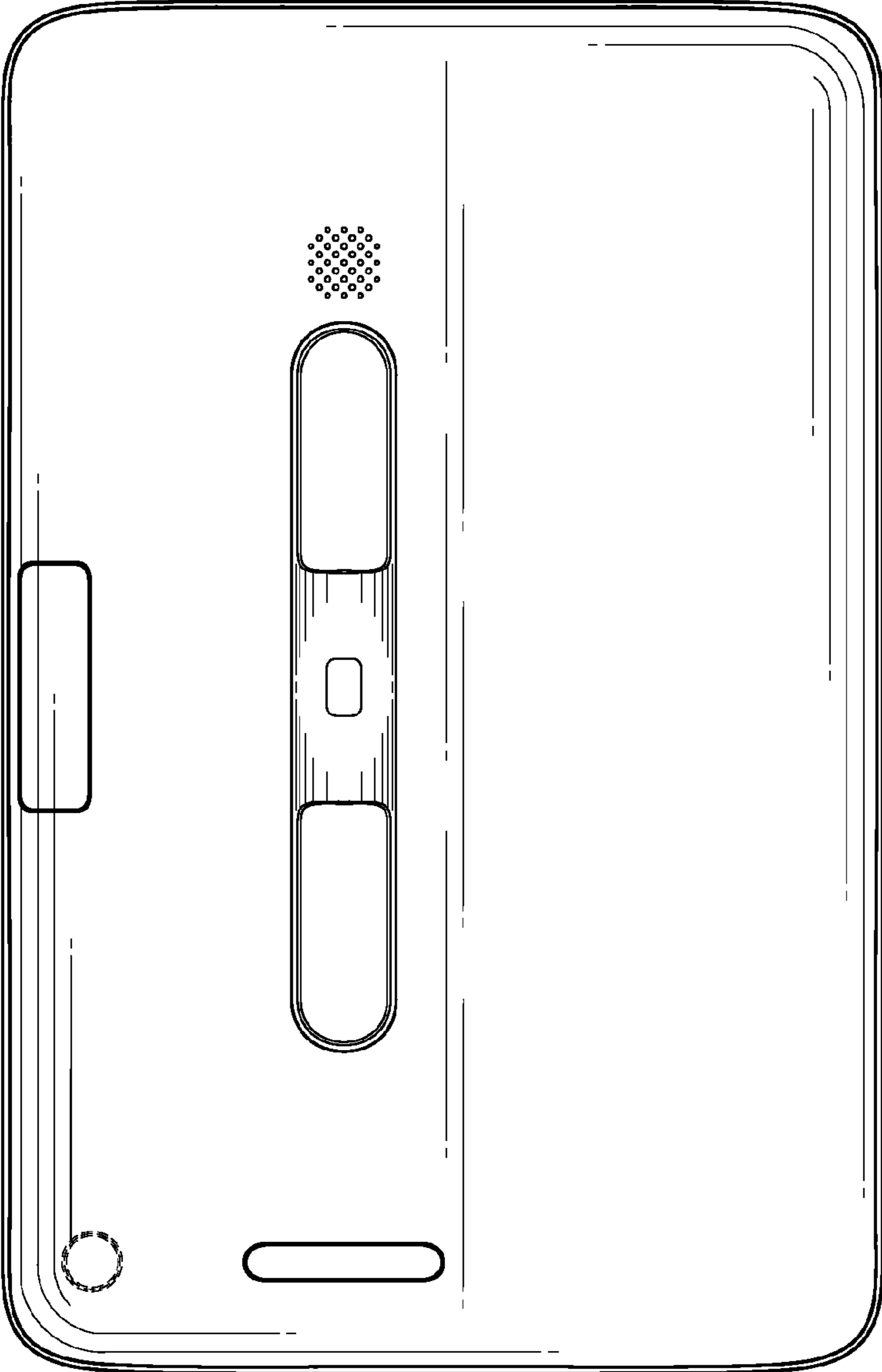


FIG. 3

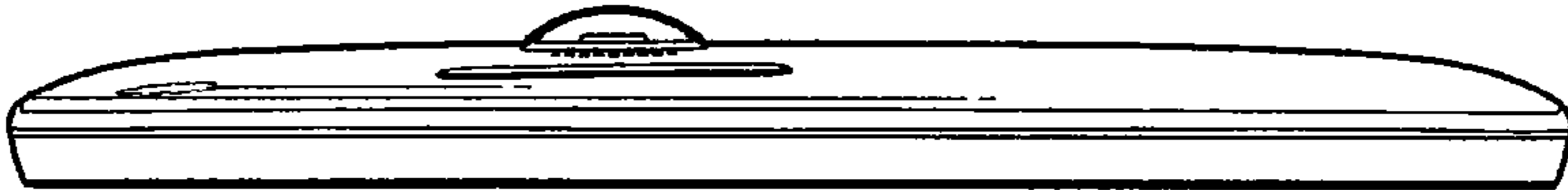


FIG. 5

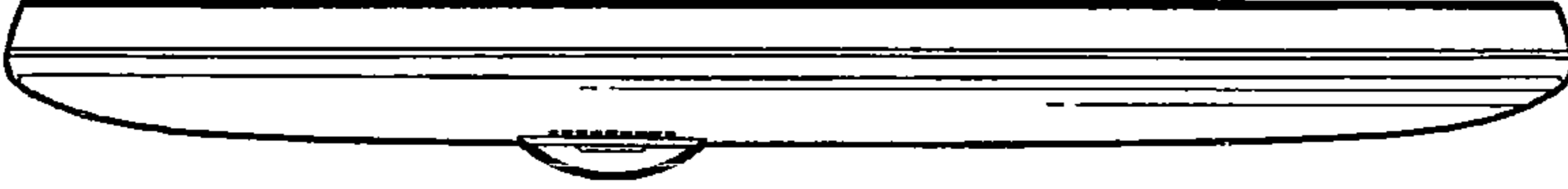


FIG. 4

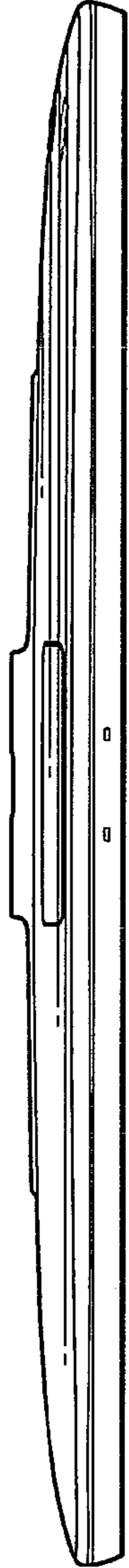


FIG. 6

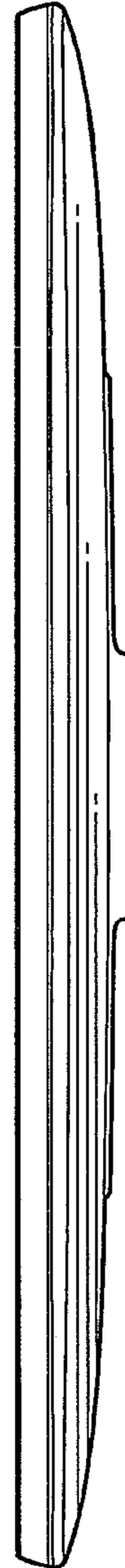


FIG. 7

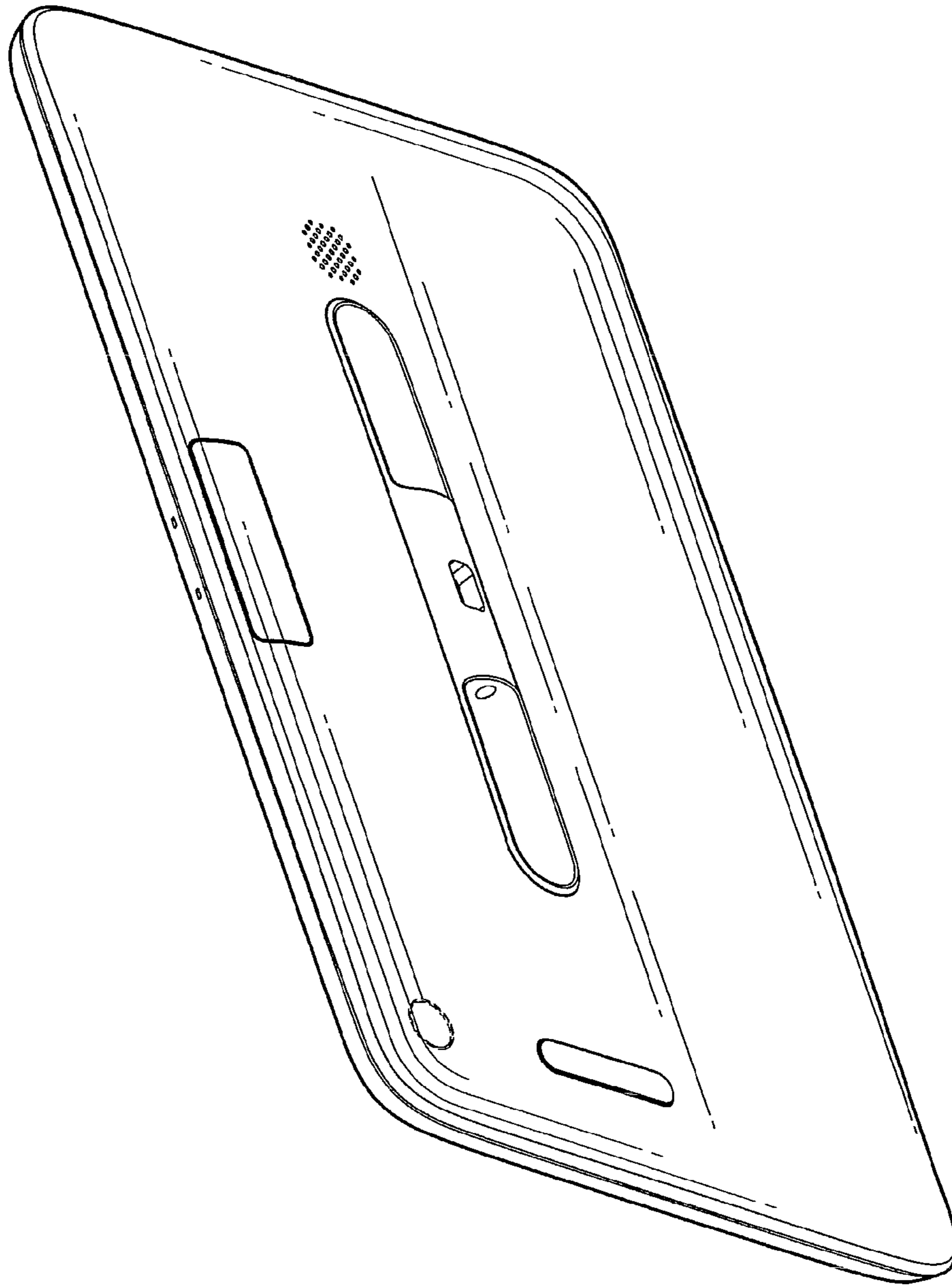


FIG. 8

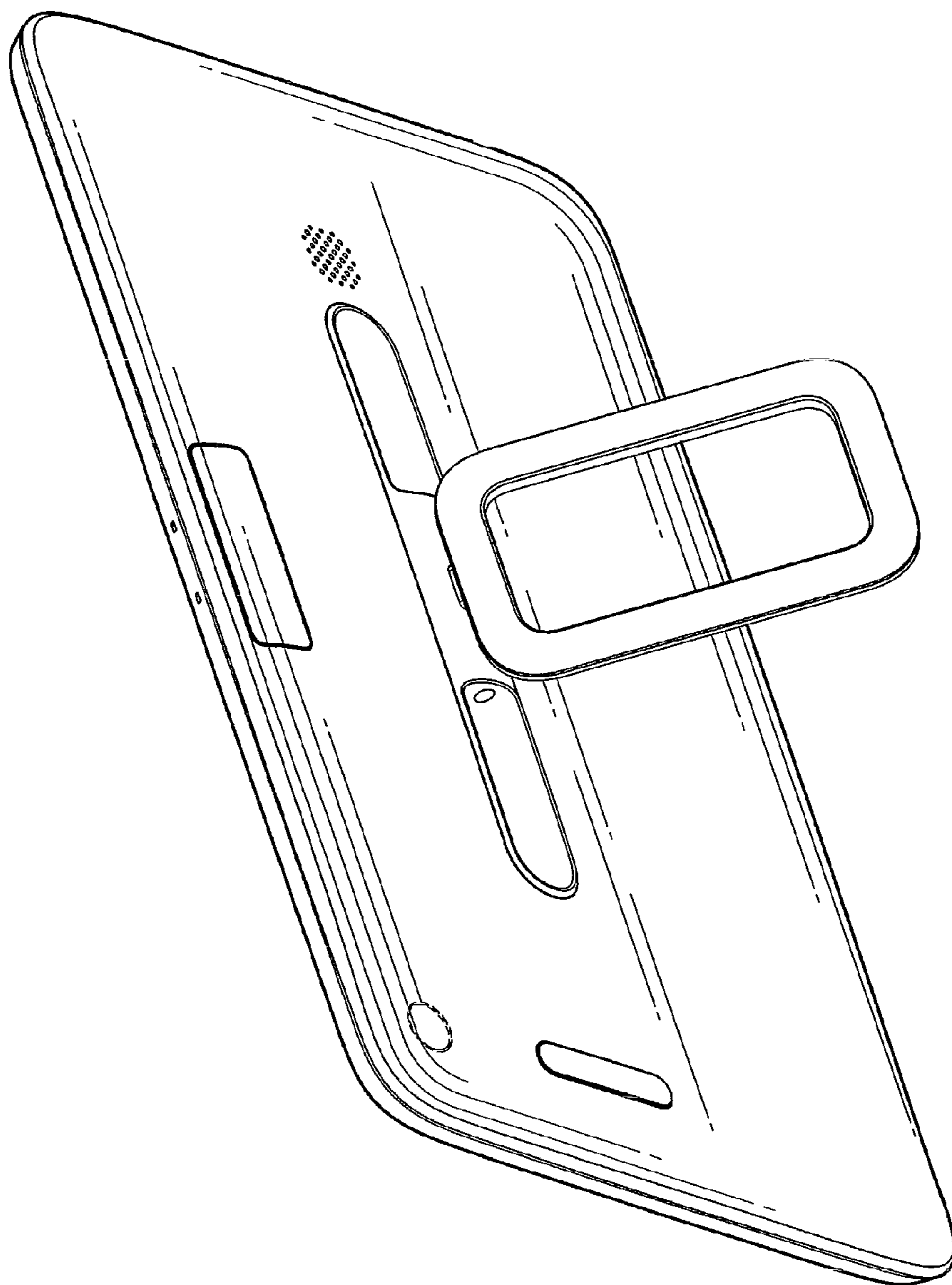


FIG. 9