



US00D617783S

(12) **United States Design Patent**
Rouger

(10) **Patent No.:** **US D617,783 S**
(45) **Date of Patent:** **** *Jun. 15, 2010**

(54) **SET OF KEY BUTTONS FOR A HANDSET**

D530,297 S 10/2006 Moon et al.
D533,160 S 12/2006 Yoo et al.

(75) Inventor: **Benoit Henri Guillaume Rouger**, Turku (FI)

(73) Assignee: **Nokia Corporation**, Espoo (FI)

(Continued)

(**) Term: **14 Years**

FOREIGN PATENT DOCUMENTS

(21) Appl. No.: **29/324,202**

WO DM/069146 7/2007

(22) Filed: **Sep. 8, 2008**

Related U.S. Application Data

(Continued)

(62) Division of application No. 29/282,095, filed on Jul. 11, 2007, now Pat. No. Des. 576,590.

OTHER PUBLICATIONS

(30) **Foreign Application Priority Data**

Nokia E66, announced Jun. 2008, [online], [retrieved on Jun. 27, 2008]. Retrieved from Internet ,<URL: <http://www.gsmarena.com>>.*

Jan. 19, 2007 (FI) M20070018

(51) **LOC (9) Cl.** **14-03**

(Continued)

(52) **U.S. Cl.** **D14/247**

(58) **Field of Classification Search** D14/247-248,
D14/138 R, 138 AD, 138 AC, 138 C, 138 G,
D14/191, 203.1-203.8, 496, 144, 244, 432,
D14/439, 455, 456, 138 AA, 138 AB, 137,
D14/147, 218, 341-347; D10/65, 78, 104;
D13/168; D18/7; 455/566, 575.1, 575.3;
345/169

Primary Examiner—Jeffrey D Asch
Assistant Examiner—Bridget L Eland
(74) *Attorney, Agent, or Firm*—Banner & Witcoff, Ltd.

See application file for complete search history.

(57) **CLAIM**

The ornamental design for a set of key buttons for a handset, as shown and described.

(56) **References Cited**

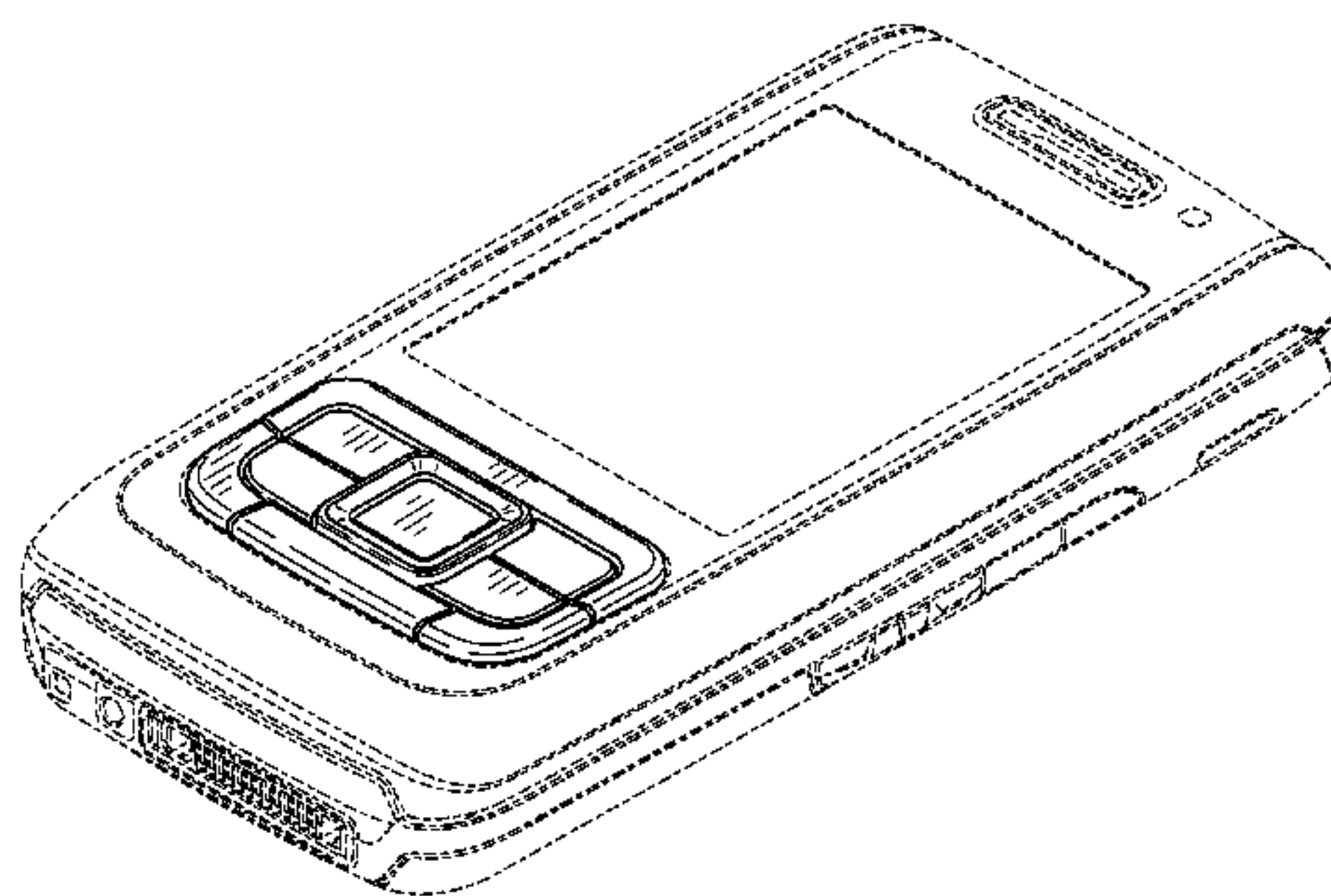
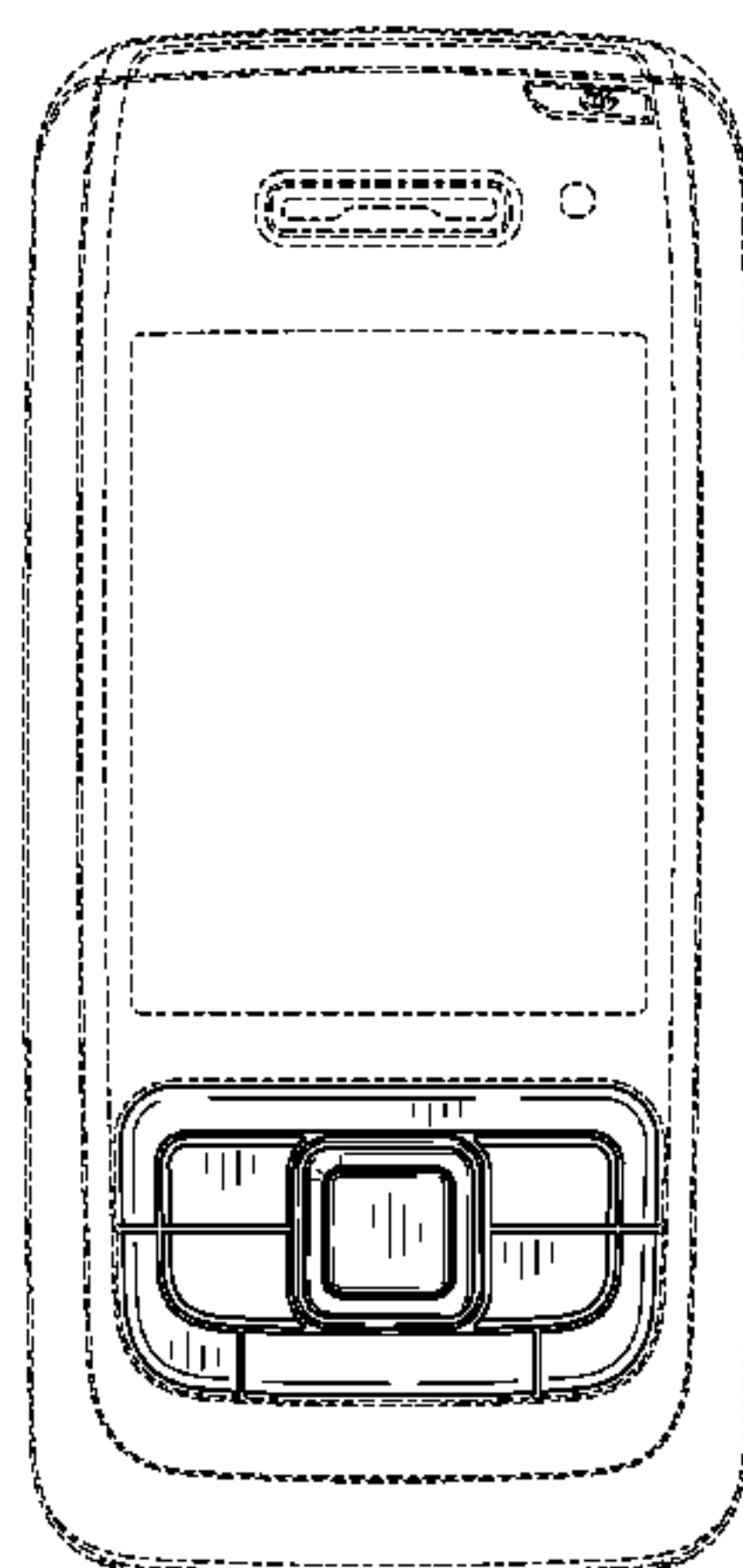
DESCRIPTION

U.S. PATENT DOCUMENTS

D476,983 S *	7/2003	Salmi	D14/247
D489,060 S *	4/2004	Liao et al.	D14/247
D509,203 S	9/2005	Bertrand et al.		
D524,802 S *	7/2006	Burns et al.	D14/247
D525,609 S	7/2006	Kim et al.		
D526,984 S	8/2006	Kim et al.		
D527,364 S	8/2006	Lee et al.		
D527,717 S	9/2006	Kim		
D527,718 S	9/2006	Shin		
D529,475 S	10/2006	Lee et al.		
D529,887 S	10/2006	Chung et al.		

FIG. 1 is a front view of a set of key buttons for a handset showing my new design; and,
FIG. 2 is a perspective view thereof.
The broken line showing of the remainder of the handset is directed to environment and is for illustrative purposes only; the broken lines form no part of the claimed design.

1 Claim, 2 Drawing Sheets



US D617,783 S

Page 2

U.S. PATENT DOCUMENTS

D533,530	S	12/2006	Kim et al.	
D534,517	S	1/2007	Cho et al.	
D536,691	S	2/2007	Park	
D547,330	S	7/2007	Lee	
D548,213	S	8/2007	Lee et al.	
D548,710	S	8/2007	Lee et al.	
D549,682	S	8/2007	Han et al.	
D549,683	S	8/2007	Cho et al.	
D550,189	S	9/2007	Kim et al.	
D551,646	S	9/2007	Kim et al.	
D553,599	S	10/2007	Lee et al.	
D555,137	S	11/2007	Kim et al.	
D557,242	S	12/2007	Kim et al.	
D558,724	S *	1/2008	Hsu et al.	D14/138 AD
D560,199	S	1/2008	Lee et al.	
D563,936	S *	3/2008	Kim et al.	D14/138 AD
D564,921	S *	3/2008	Cheng	D10/65
D565,042	S *	3/2008	Scales et al.	D14/248
D571,766	S *	6/2008	Christiansen et al.	D14/138 AD
D571,794	S *	6/2008	Holmung et al.	D14/247
D576,590	S *	9/2008	Benoit	D14/138 AD
D577,702	S *	9/2008	Hakamaki et al.	D14/138 AB
D579,903	S *	11/2008	Kim et al.	D14/138 AD
D583,340	S *	12/2008	Montin et al.	D14/138 AD
D584,708	S *	1/2009	Wu et al.	D14/138 AD
D584,722	S *	1/2009	Okkonen	D14/248
D586,794	S *	2/2009	Okkonen	D14/247
D590,803	S *	4/2009	Rihu	D14/138 AD
D591,709	S *	5/2009	Rihu	D14/138 AD
D593,531	S *	6/2009	Lee et al.	D14/138 AD
D594,003	S *	6/2009	Dhondt	D14/247
D597,515	S *	8/2009	Kim	D14/138 AD
D597,536	S *	8/2009	Ruohonen et al.	D14/247
2005/0090298	A1	4/2005	Park et al.	
2005/0255897	A1	11/2005	Lee et al.	
2006/0205447	A1 *	9/2006	Park et al.	455/575.1
2007/0021160	A1 *	1/2007	Li	455/575.4
2009/0163257	A1 *	6/2009	Vesamaki et al.	455/575.4

FOREIGN PATENT DOCUMENTS

WO DM/069147 7/2007

WO DM/070035 * 3/2008
 WO DM/071193-9 * 9/2008
 WO DM/071193-10 * 9/2008
 WO DM/071193-11 * 9/2008
 WO DM/071193-12 * 9/2008

OTHER PUBLICATIONS

HTC TyTN, announced Jul. 2007, [online], [retrieved on Sep. 15, 2007]. Retrieved from Internet, <URL:http://www.gsmarena.com>.
 Nokia E65, announced Feb. 2007, [online], [retrieved Feb. 16, 2007]. Retrieved from Internet, <URL:http://www.gsmarena.com>.
 Nokia 6110 Navigator, announced Feb. 2007, [online], [retrieved on Feb. 16, 2007]. Retrieved from Internet, <URL: http://www/gsmarena.com>.
 Philips Xenium, 9@9m, announced May 2007, [online], [retrieved on May 18, 2007]. Retrieved from Internet, <URL:http://gsmarena.com>.
 Nokia Model #3109 classic, Nokia Corporation, 1 color sheet of photographs, disclosed on or about May 2007.
 Nokia Model #5200, Nokia Corporation, 2 color sheets of photographs, disclosed on or about Sep. 2006.
 Nokia Model #5300, Nokia Corporation, 2 color sheets of photographs, disclosed on or about Sep. 2006.
 Nokia Model #5310, Nokia Corporation, 2 color sheets of photographs, disclosed on or about Aug. 2007.
 Nokia Model #6111, Nokia Corporation, 3 color sheets of photographs, disclosed on or about Jun. 2005.
 Nokia Model #6020, Nokia Corporation, 3 color sheets of photographs, disclosed on or about Nov. 2004.
 Nokia Model #6280, Nokia Corporation, 3 color sheets of photographs, disclosed on or about Jun. 2005.
 Nokia Model # 7088, Nokia Corporation, 2 color sheets of photographs, disclosed on or about Mar. 2007.
 Nokia Model # 7360, Nokia Corporation, 4 color sheets of photographs, disclosed on or about Oct. 2005.
 Nokia Model # N80, Nokia Corporation, 6 color sheets of photographs, disclosed on or about Nov. 2005.
 Nokia Model # N81, Nokia Corporation, 4 color sheets of photographs, disclosed on or about Aug. 2007.
 Nokia Model # N95, Nokia Corporation, 7 color sheets of photographs, disclosed on or about Sep. 2006.

* cited by examiner

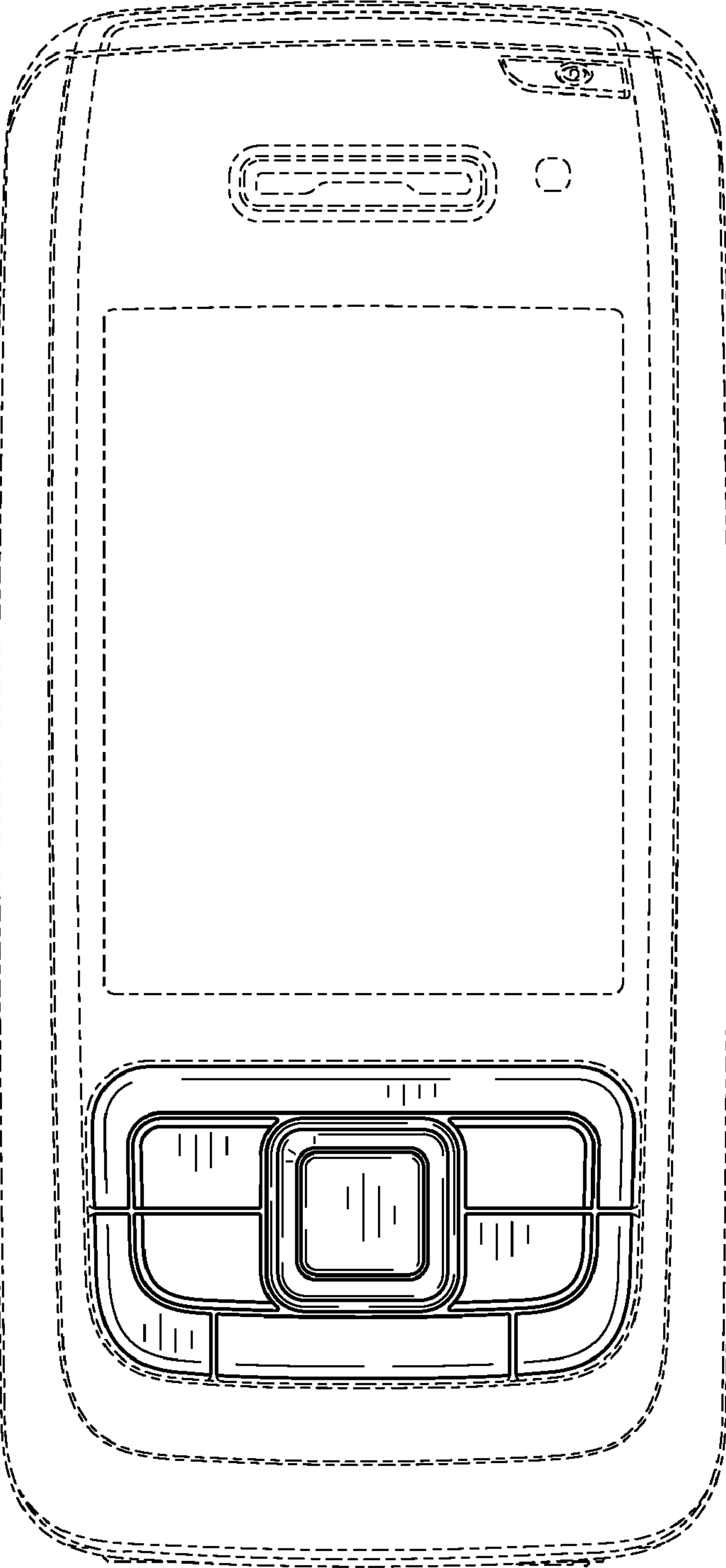


FIG. 1

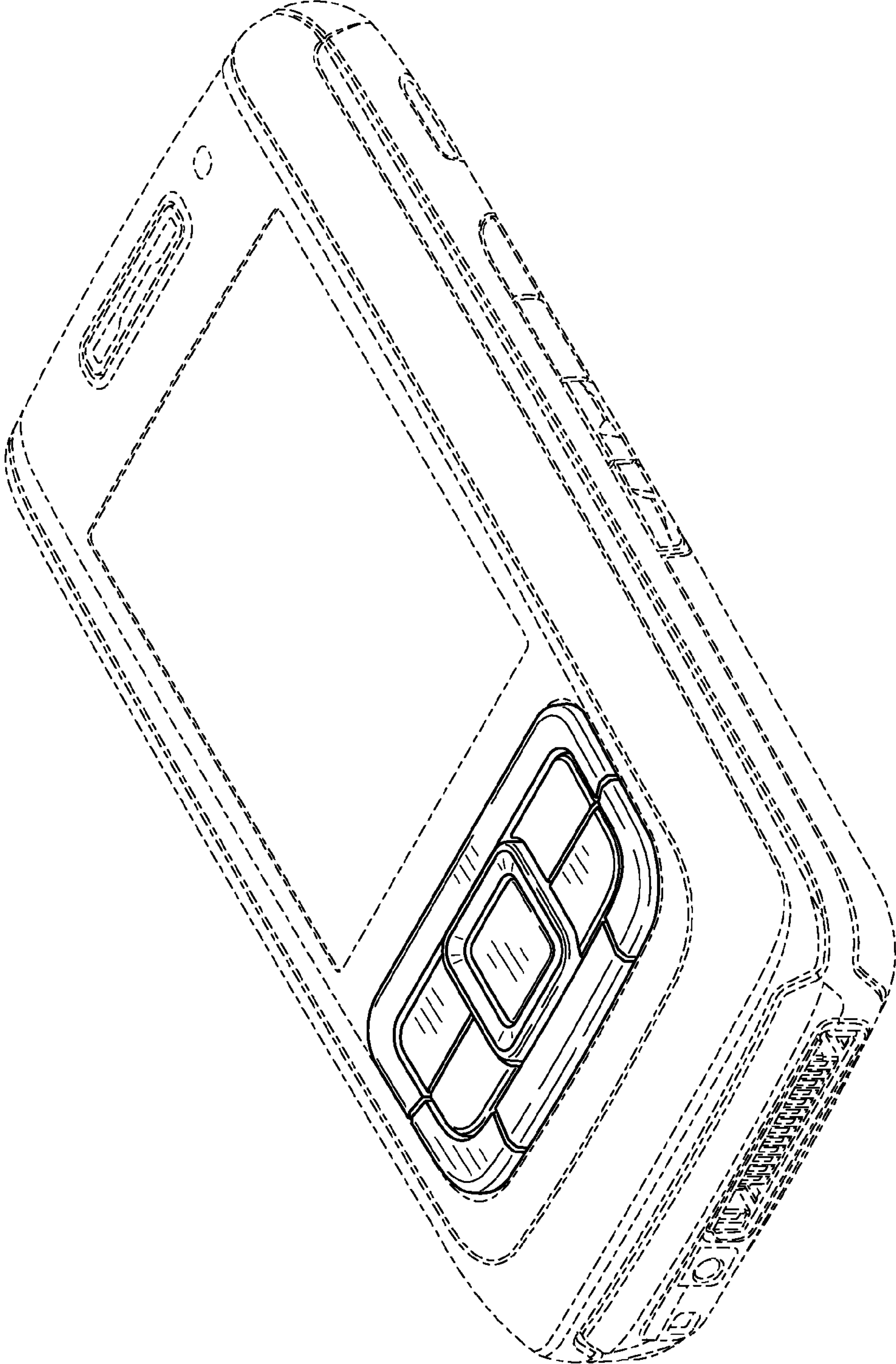


FIG. 2