



US00D617782S

(12) **United States Design Patent**
Kim

(10) **Patent No.:** **US D617,782 S**
(45) **Date of Patent:** **** Jun. 15, 2010**

(54) **WIRELESS MODEM**

(75) Inventor: **Jin-Young Kim**, Seoul (KR)

(73) Assignee: **Pantech & Curitel Communications, Inc.**, Seoul (KR)

(**) Term: **14 Years**

(21) Appl. No.: **29/333,536**

(22) Filed: **Mar. 11, 2009**

(30) **Foreign Application Priority Data**

Sep. 12, 2008 (KR) 30-2008-039880

(51) **LOC (9) Cl.** **14-03**

(52) **U.S. Cl.** **D14/242**

(58) **Field of Classification Search** D13/133,
D13/168; D14/133, 240, 484.1, 480.6, 435.1,
D14/358, 374, 242, 480.1, 346, 361-363,
D14/365-367, 433, 217, 218, 142; 361/757;
439/131, 159, 501, 528, 623, 652, 654; 379/220.1,
379/25, 93.09, 93.15, 93.14, 156, 424; 451/550.1,
451/557; 324/156

See application file for complete search history.

(56) **References Cited**

U.S. PATENT DOCUMENTS

- D342,250 S * 12/1993 Beaumont et al. D14/142
- D371,770 S * 7/1996 Larson et al. D14/242
- 5,606,143 A * 2/1997 Young D13/168
- 5,625,286 A * 4/1997 Kamiya 324/156
- D484,872 S * 1/2004 Wang D14/242
- D517,529 S * 3/2006 Motoishi D14/218
- D531,118 S * 10/2006 Krieger et al. D14/435.1
- D541,796 S * 5/2007 Chen D14/480.7
- D544,479 S * 6/2007 Chen D14/356
- D546,328 S * 7/2007 Kobayakawa D14/480.7

- D571,372 S * 6/2008 Brefka et al. D14/433
- D572,251 S * 7/2008 Lee D14/358
- D574,365 S * 8/2008 Andre et al. D14/217
- D579,933 S * 11/2008 Deguchi D14/356
- D596,182 S * 7/2009 Kim et al. D14/435.1
- D597,077 S * 7/2009 Brandenburg D14/217
- D599,795 S * 9/2009 Lindley D14/358
- D601,142 S * 9/2009 Lindley D14/358
- D611,944 S * 3/2010 Kujawski et al. D14/435.1

* cited by examiner

Primary Examiner—Charles A Rademaker

(74) *Attorney, Agent, or Firm*—H.C. Park & Associates, PLC

(57) **CLAIM**

The ornamental design for a wireless modem, as shown and described.

DESCRIPTION

FIG. 1 is a perspective view of the wireless modem of the present invention;

FIG. 2 is a front elevation view of the wireless modem shown in FIG. 1;

FIG. 3 is a rear elevation view of the wireless modem shown in FIG. 1;

FIG. 4 is a left side elevation view of the wireless modem shown in FIG. 1;

FIG. 5 is a right side elevation view of the wireless modem shown in FIG. 1;

FIG. 6 is a top plan view of the wireless modem shown in FIG. 1;

FIG. 7 is a bottom plan view of the wireless modem shown in FIG. 1; and,

FIG. 8 is a perspective view of the wireless modem shown in FIG. 1 with the front cover opened and the USB plug rotated.

1 Claim, 8 Drawing Sheets

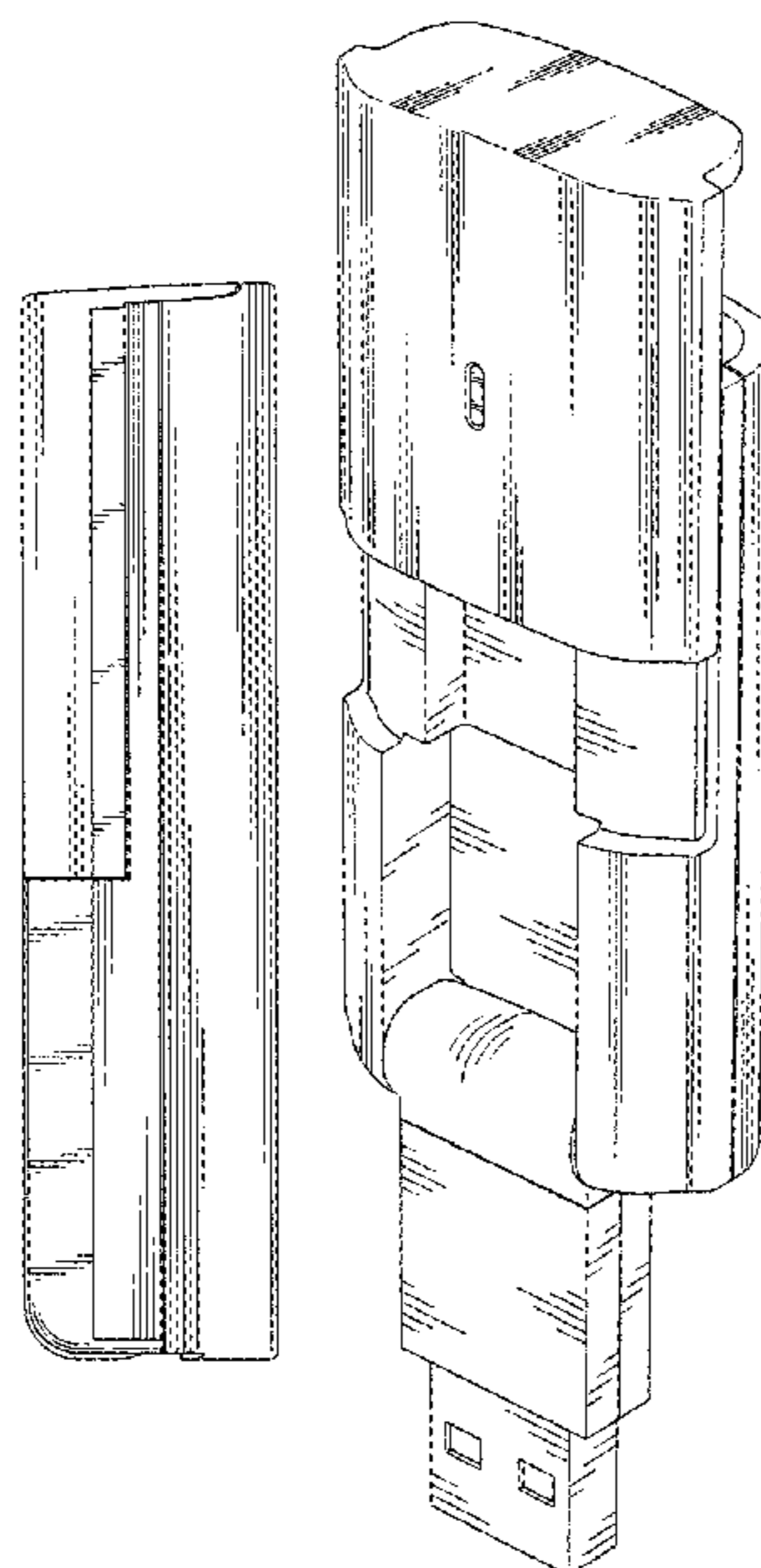


Fig. 1

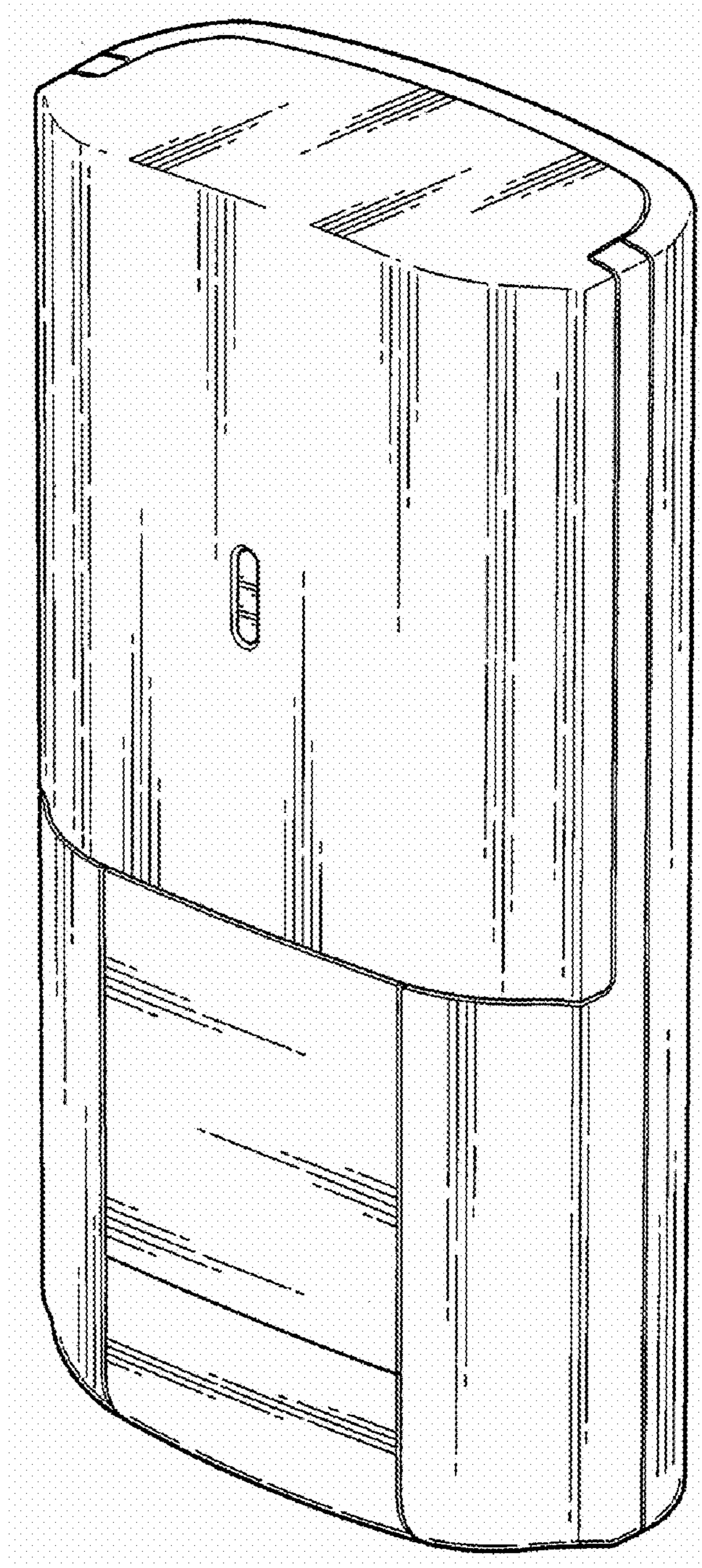


Fig. 2

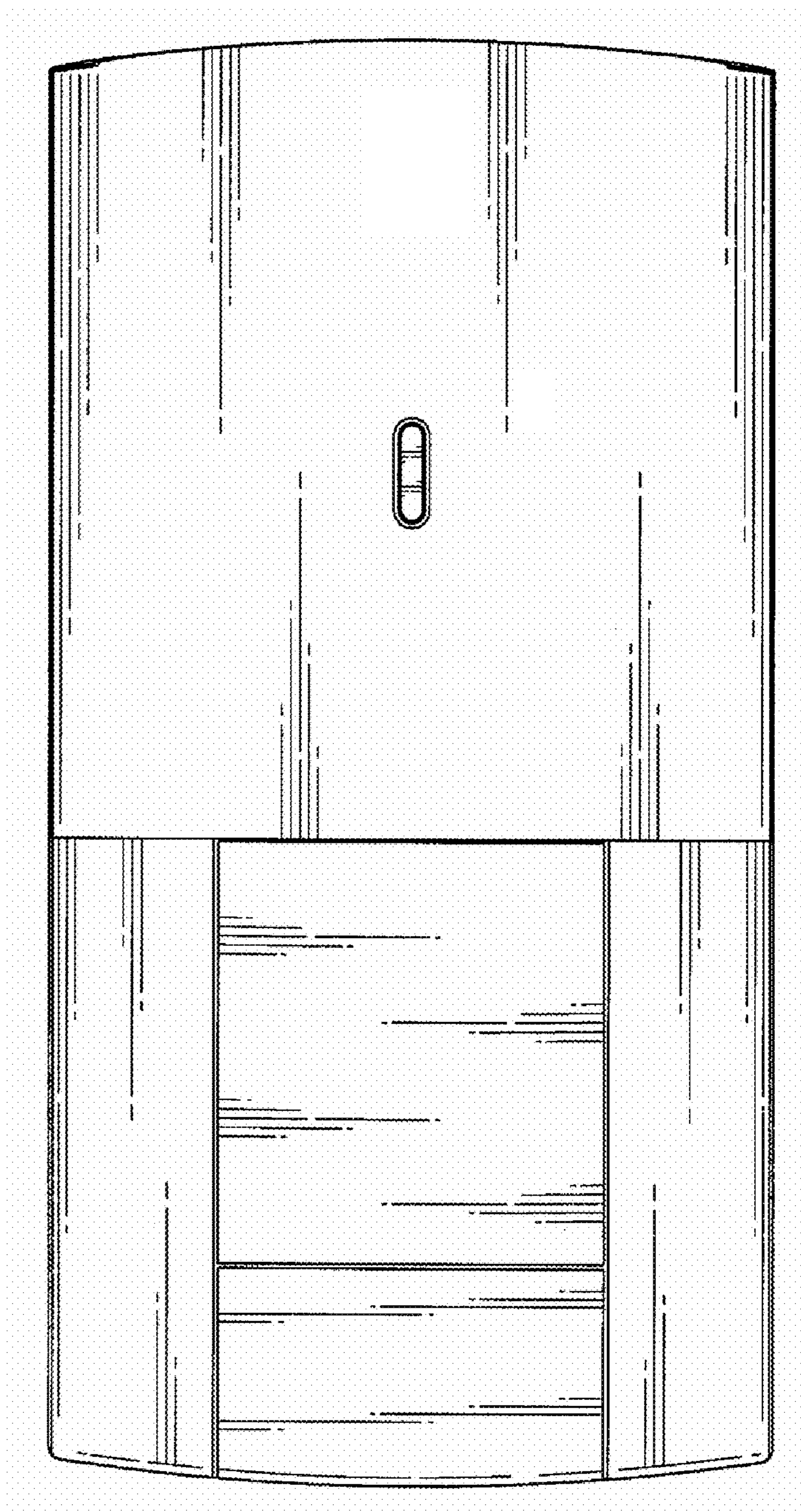


Fig. 3

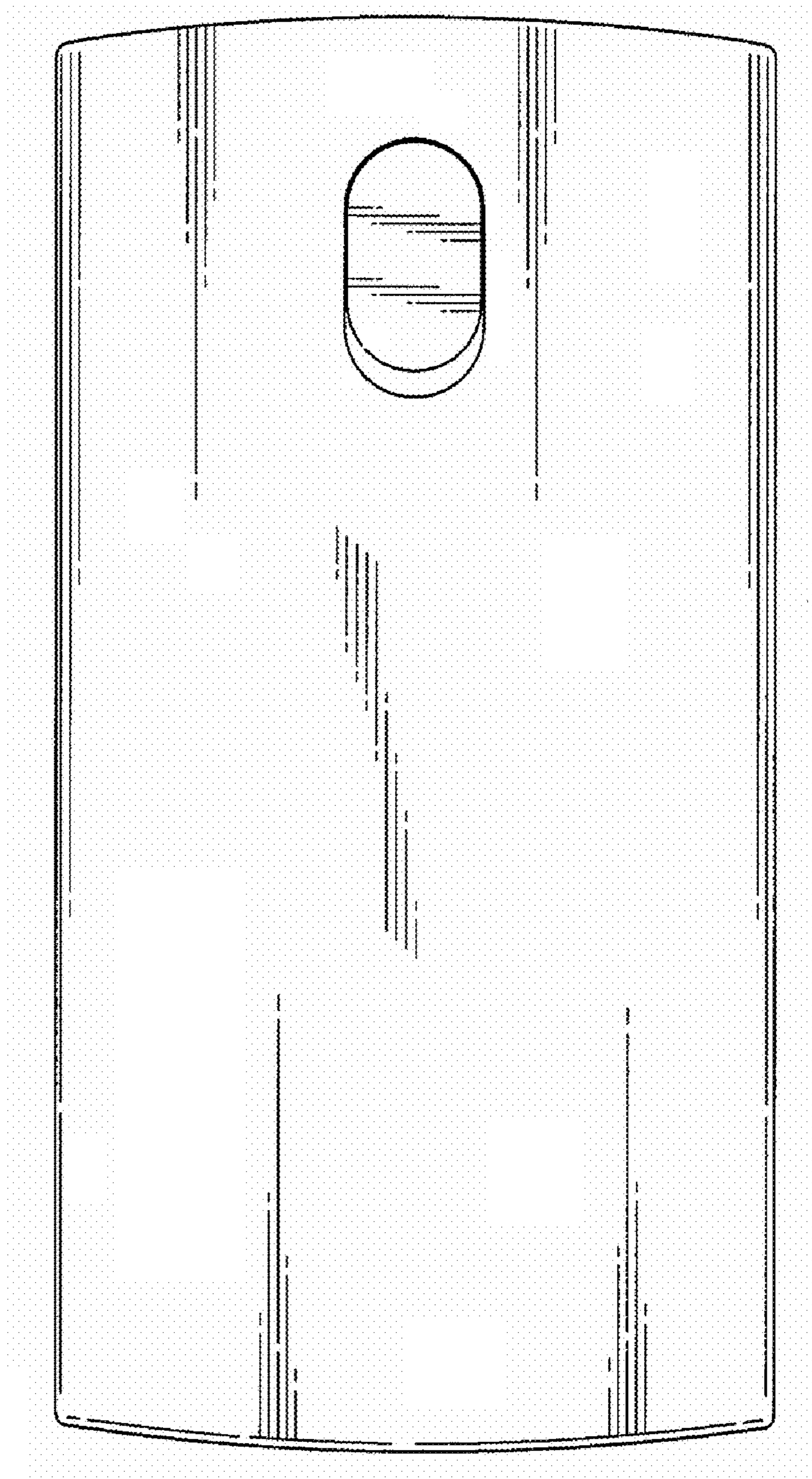


Fig. 4

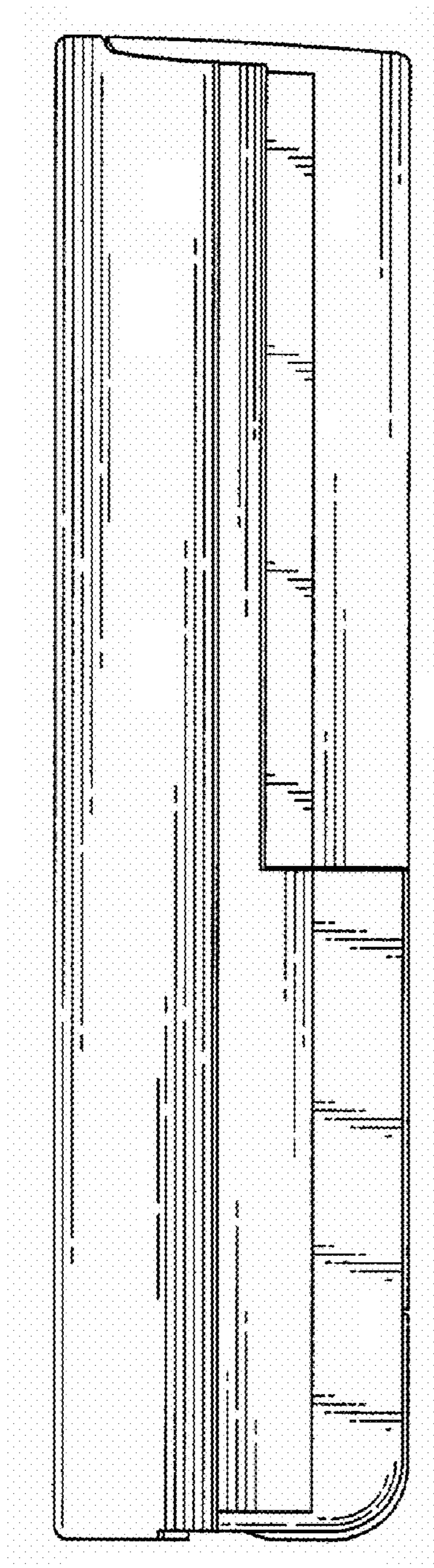


Fig. 5

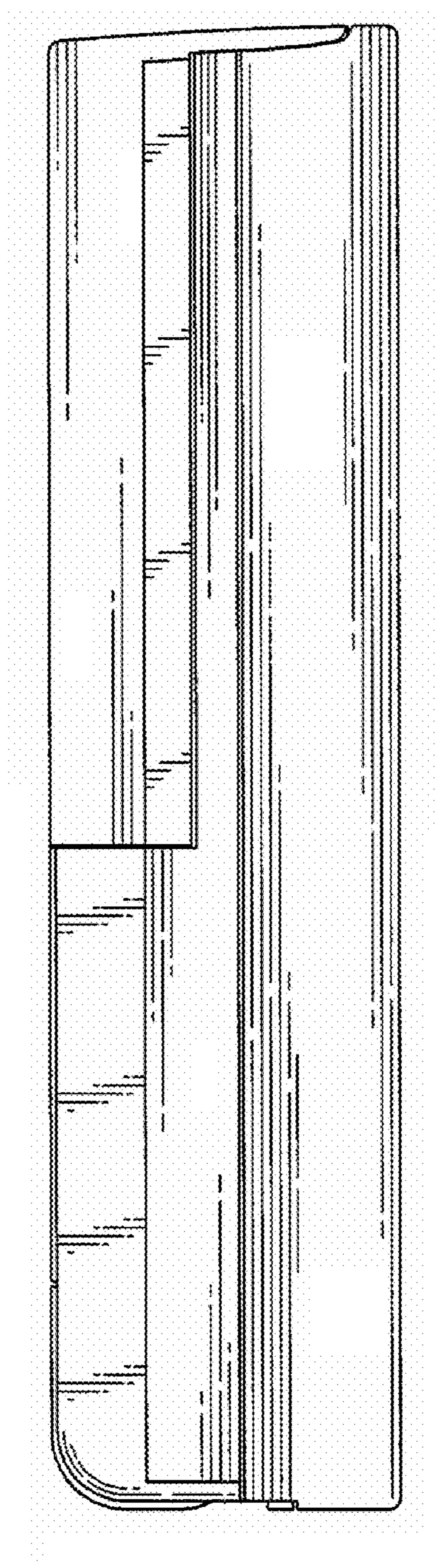


Fig. 6

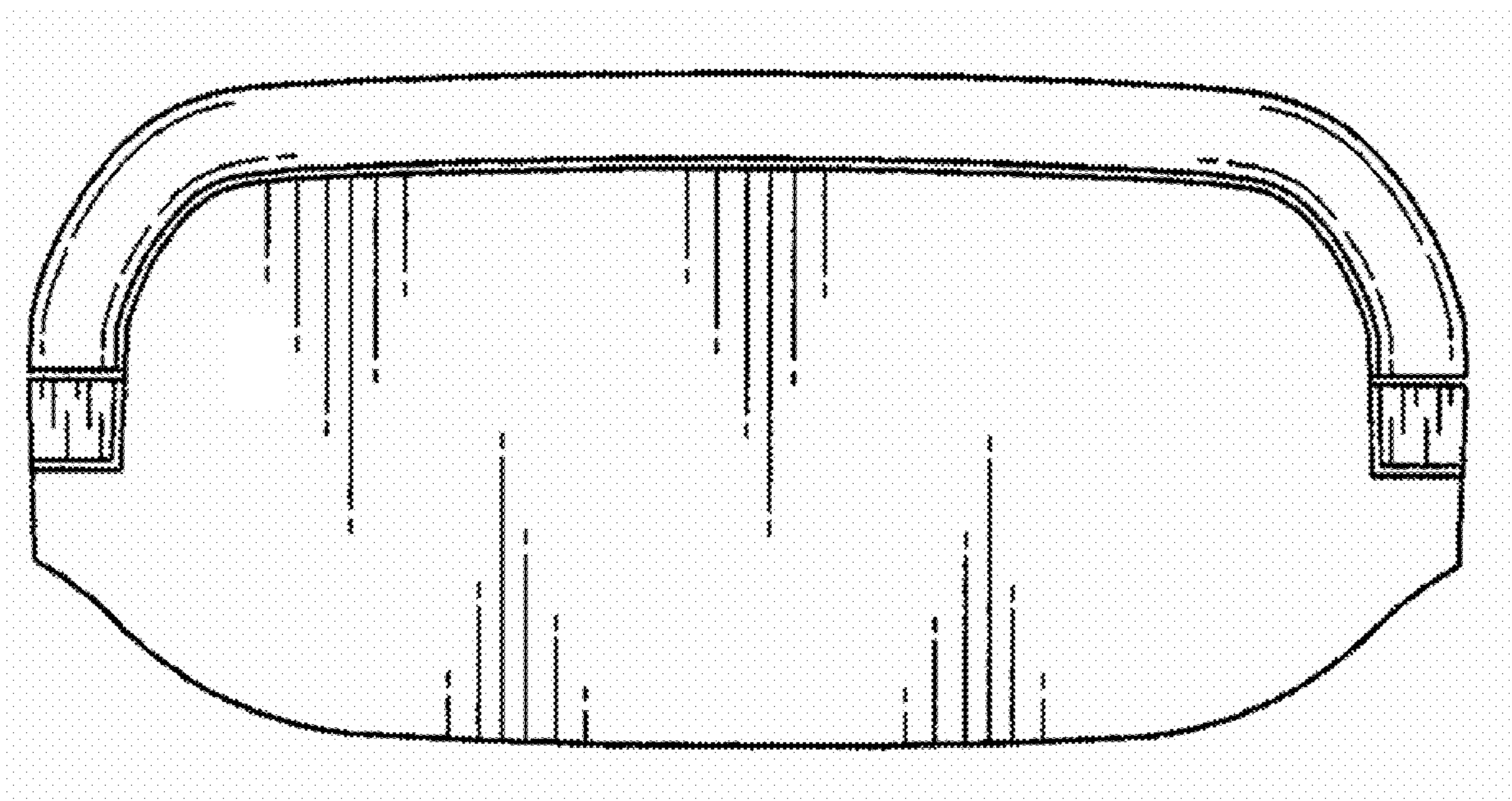


Fig. 7

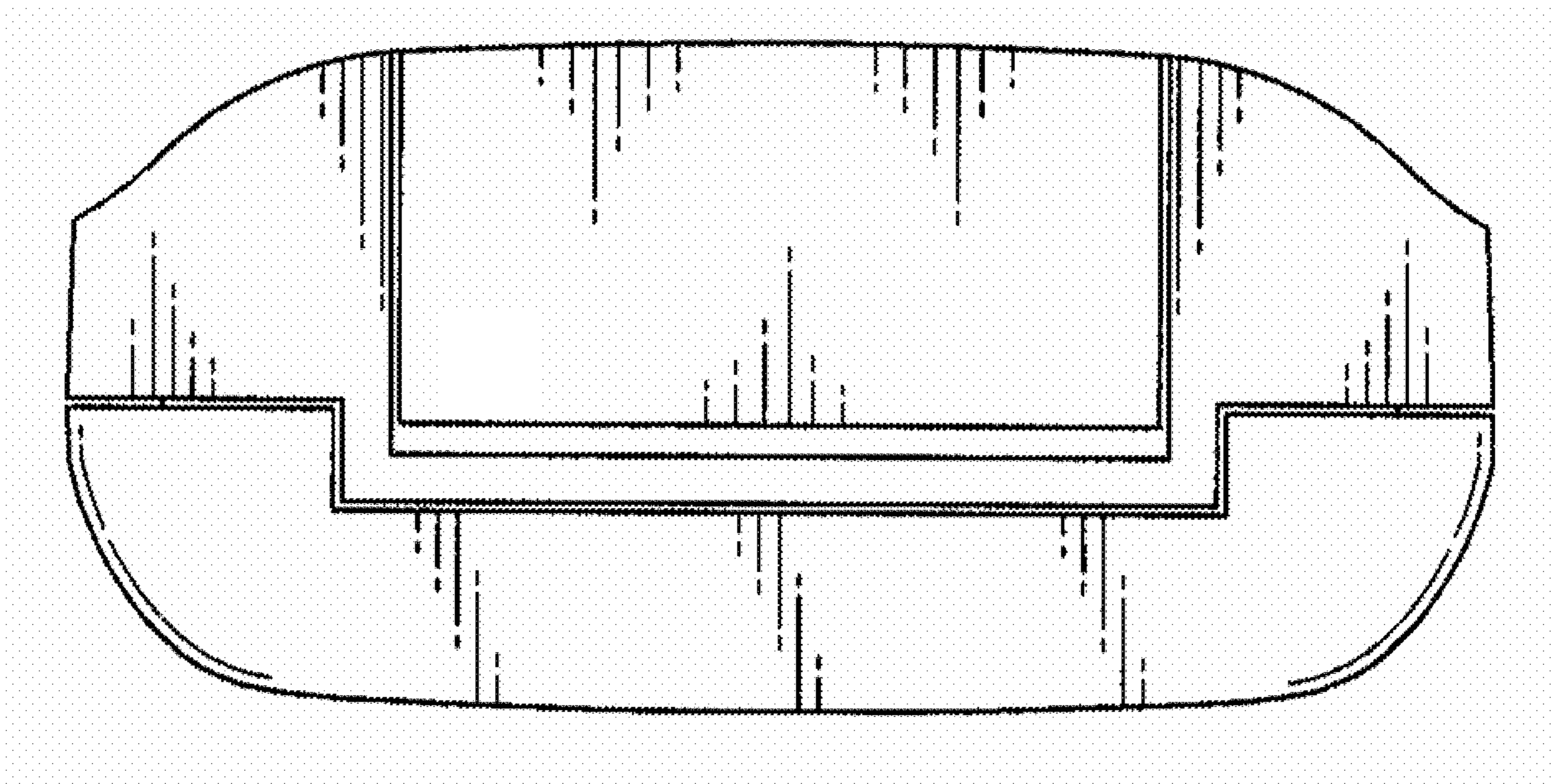


Fig. 8

