



US00D617781S

(12) **United States Design Patent**
Kallas et al.

(10) **Patent No.:** **US D617,781 S**
(45) **Date of Patent:** **** Jun. 15, 2010**

(54) **BOOM ARM**

(75) Inventors: **Ryan Kallas**, Paulsbo, WA (US); **J. Herschel Blankenship**, Bainbridge Island, WA (US)

(73) Assignee: **Music Express, LLC**, Bainbridge Island, WA (US)

(**) Term: **14 Years**

(21) Appl. No.: **29/340,623**

(22) Filed: **Jul. 22, 2009**

(51) **LOC (9) Cl.** **14-01**

(52) **U.S. Cl.** **D14/226; D14/229**

(58) **Field of Classification Search** D14/225, D14/226, 229; D8/355, 394, 396; D17/22; D16/245; 84/730; 248/183.1, 183.2, 278.1, 248/229.12, 229.15, 229.25, 55, 57, 288.31; 381/365, 368, 355, 356, 359, 382, 370, 375, 381/361, 362, 363, 174; 455/95

See application file for complete search history.

(56) **References Cited**

U.S. PATENT DOCUMENTS

1,688,148	A *	10/1928	Martin	248/229.12
2,122,778	A *	7/1938	Mueller	248/125.9
2,298,176	A *	10/1942	Schwartz	403/77
2,362,100	A *	11/1944	Schwartz	403/57
2,421,437	A *	6/1947	Ryan et al.	381/362
2,434,440	A *	1/1948	Schafranck	248/689
2,776,462	A *	1/1957	Burroughs	248/122.1
3,128,982	A *	4/1964	Christopher	248/183.2
3,278,207	A *	10/1966	Barish et al.	403/55
3,324,254	A *	6/1967	Shaw et al.	381/363
3,562,446	A *	2/1971	Wolf	381/362
D227,742	S *	7/1973	Logdson	D8/354
4,226,550	A *	10/1980	Kupcak et al.	403/157
4,492,488	A *	1/1985	Warshawsky	403/113
D291,650	S *	9/1987	Monzen	D24/128
6,219,429	B1 *	4/2001	Chung	381/363
D447,472	S	9/2001	McGugan		

D464,944	S	10/2002	Lee et al.	
6,560,346	B2 *	5/2003	Ohta et al. 381/382
6,625,293	B1 *	9/2003	Nageno et al. 381/362
6,671,382	B2 *	12/2003	Chen 381/355
D490,399	S	5/2004	Kamo et al.	
D497,156	S *	10/2004	Bauman et al. D14/225
6,842,528	B2 *	1/2005	Kuerti et al. 381/361
7,100,881	B2 *	9/2006	Worrall 248/278.1

OTHER PUBLICATIONS

<http://www.sweetwater.com/store/detail/UltiBoomTB> , Item ID. UltiBoomTB, 2 pages; printed Dec. 11, 2009.

http://www.bhphotovideo.com/c/product/38174-REG/Norman_812290_Boom_Arm_Assembly: B&H# NOBA Mfr# 812290; 2 pages; printed Dec. 11, 2009.

* cited by examiner

Primary Examiner—Paula Greene

(74) *Attorney, Agent, or Firm*—J. Bennett Mullinax, LLC

(57) **CLAIM**

The ornamental design for a boom arm, as shown and described.

DESCRIPTION

FIG. 1 is a front perspective view of the boom arm showing our new design, the microphone is drawn broken away to show indeterminate length;

FIG. 2 is a front elevation view of the boom arm as shown in FIG. 1;

FIG. 3 is a rear elevation view of the boom arm as shown in FIG. 1;

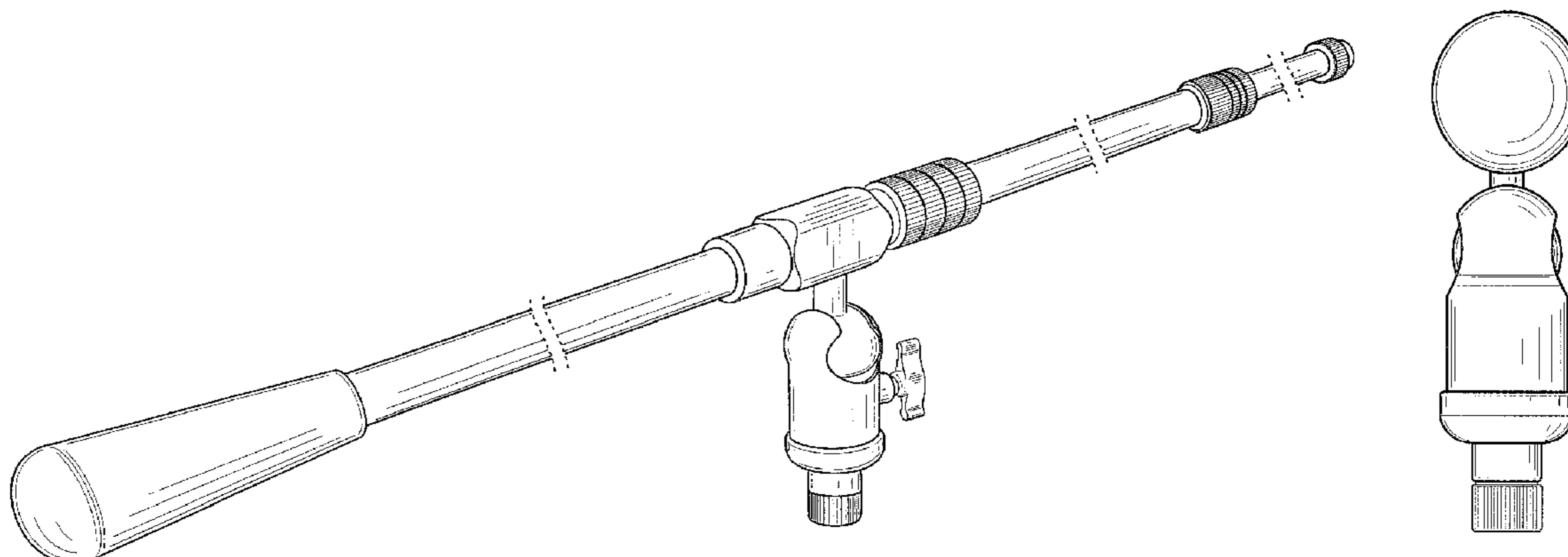
FIG. 4 is a top plan view of the boom arm as shown in FIG. 1;

FIG. 5 is a bottom plan view of the boom arm as shown in FIG. 1;

FIG. 6 is a left side elevation view of the boom arm as shown in FIG. 1; and,

FIG. 7 is a right side elevation view of the boom arm shown in FIG. 1.

1 Claim, 7 Drawing Sheets



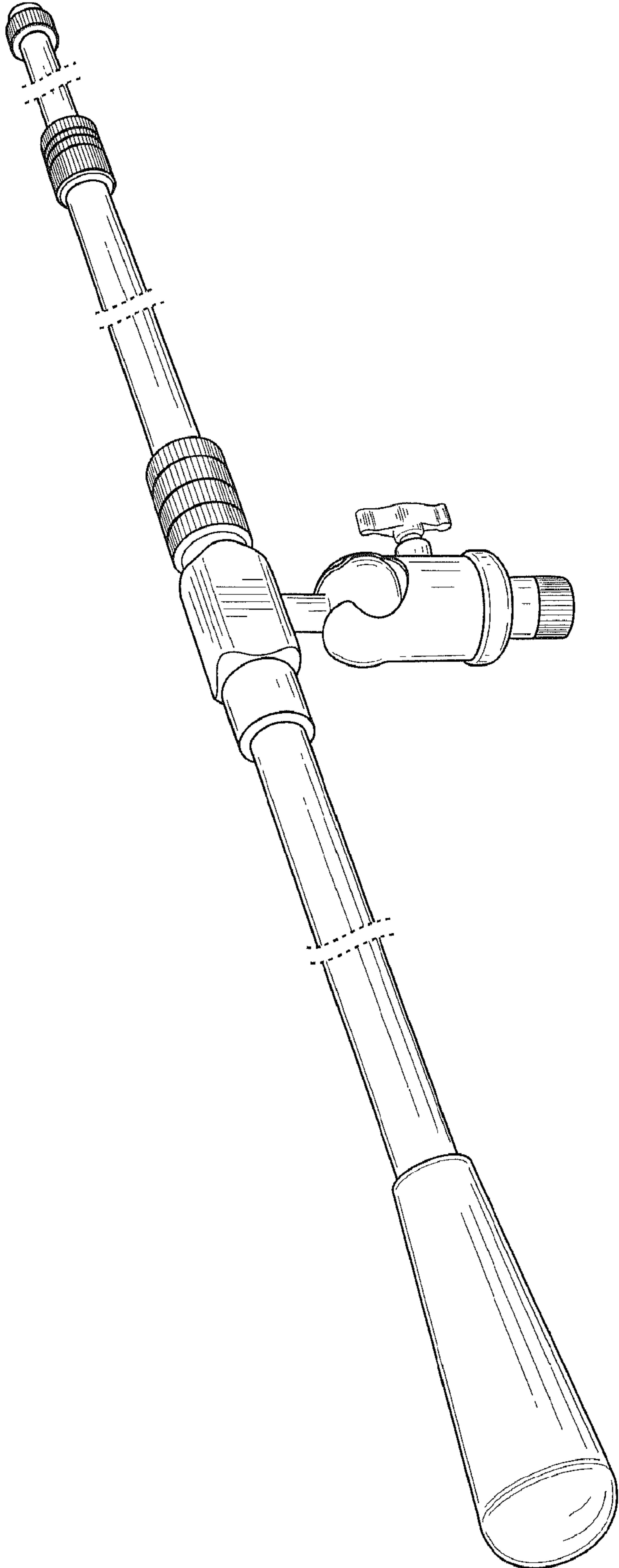


FIG. 1

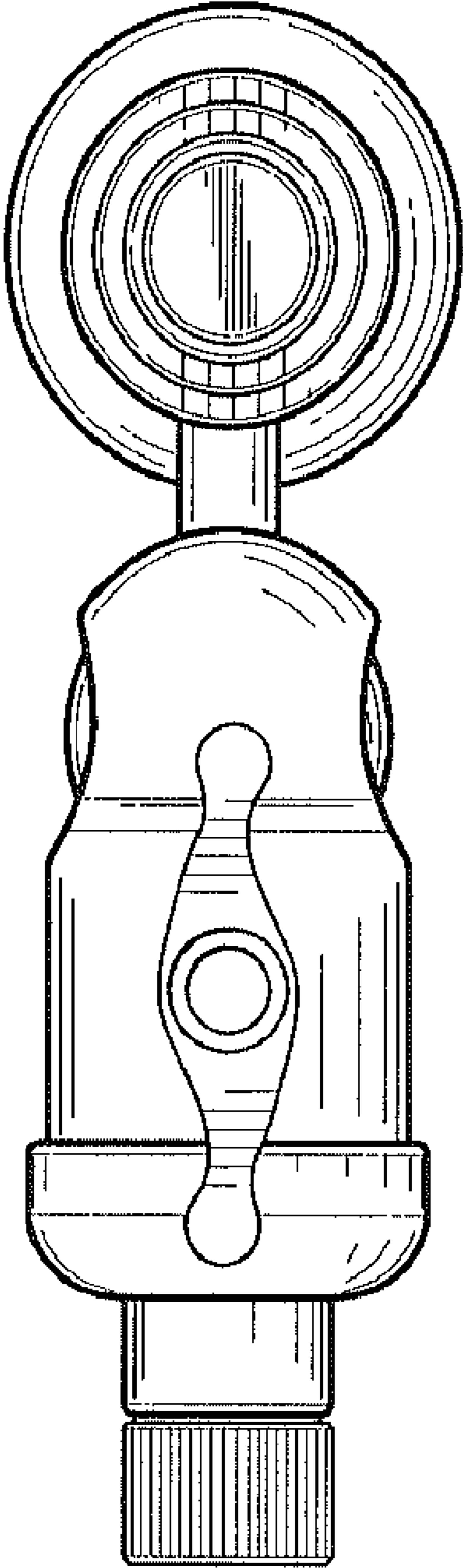


FIG. 2

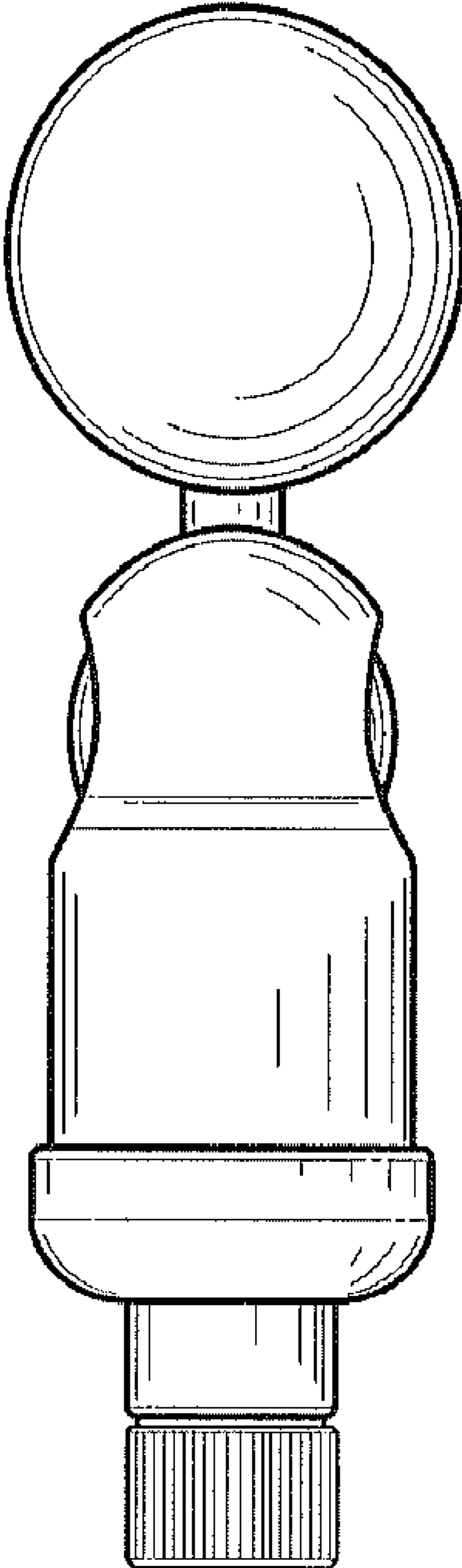


FIG. 3

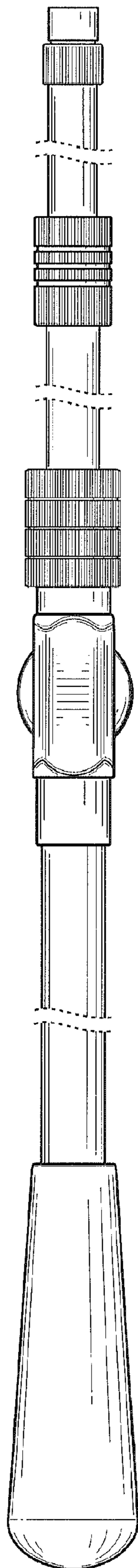


FIG. 4

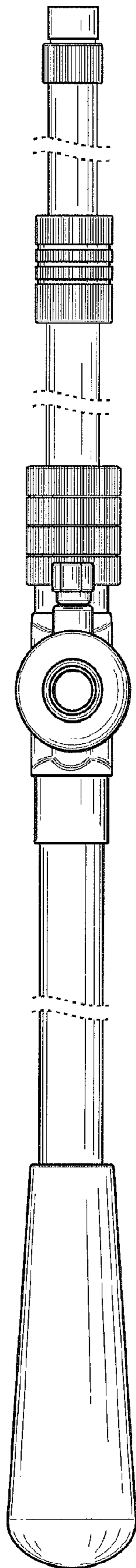


FIG. 5

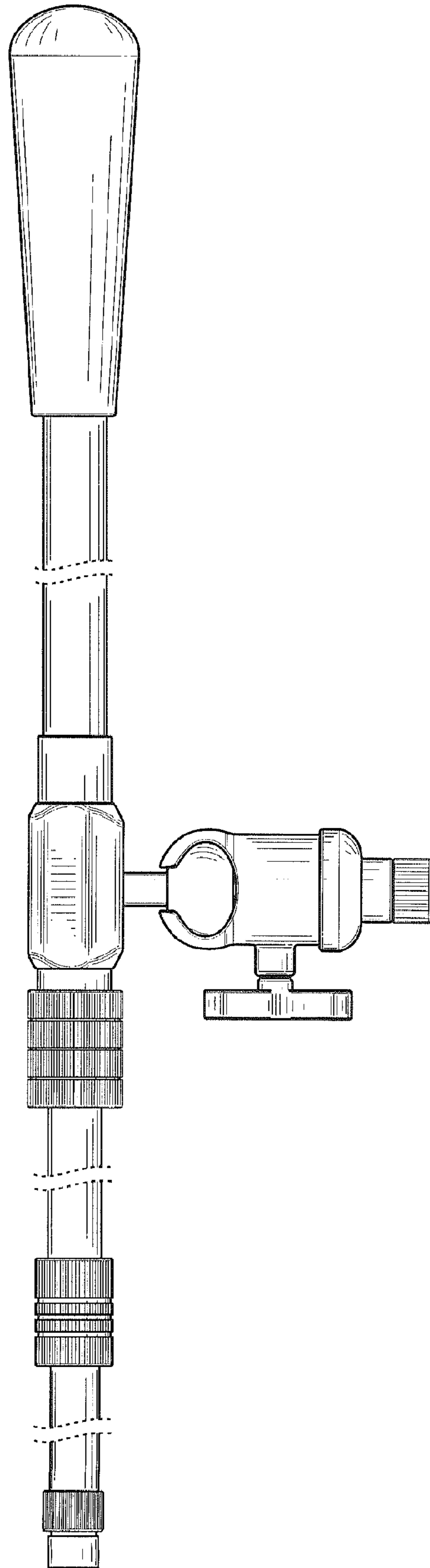


FIG. 6

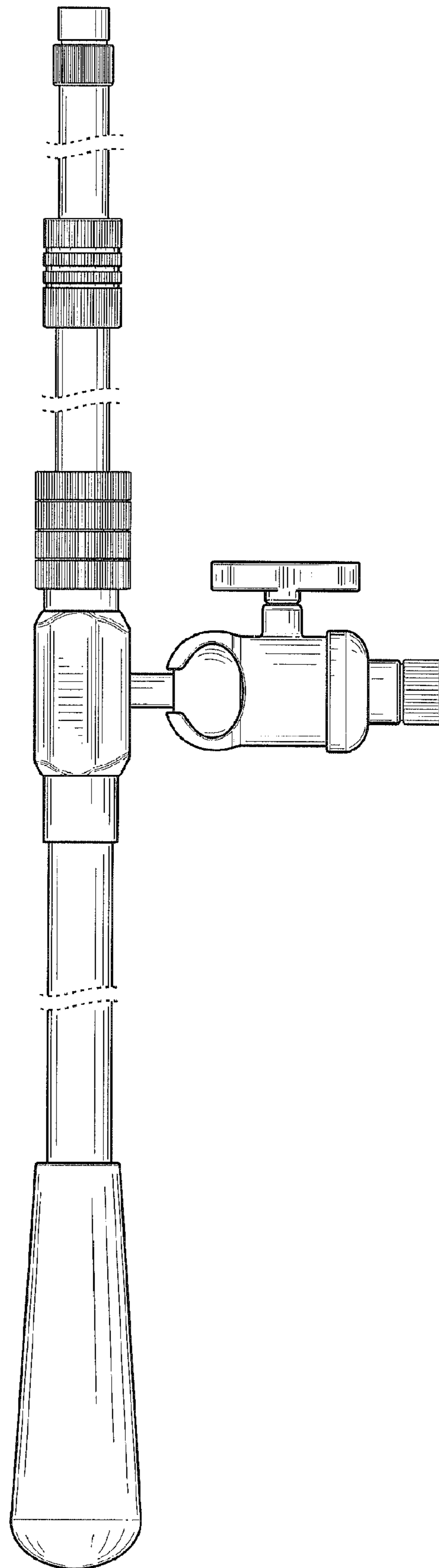


FIG. 7