



US00D617780S

(12) **United States Design Patent**
Jaakkola et al.

(10) **Patent No.:** **US D617,780 S**
(45) **Date of Patent:** **** Jun. 15, 2010**

- (54) **EARPIECE FOR A HEADSET**
- (75) Inventors: **Mikael Jaakkola**, Turku (FI); **Sami Lehtovaara**, Masku (FI)
- (73) Assignee: **Nokia Corporation**, Espoo (FI)
- (**) Term: **14 Years**
- (21) Appl. No.: **29/351,120**
- (22) Filed: **Nov. 30, 2009**

D352,714 S	11/1994	Ichikawa	
5,412,736 A	5/1995	Keliiliki	
5,625,171 A	4/1997	Marshall	
5,835,852 A	11/1998	Bundgardt	
6,396,935 B1 *	5/2002	Makkonen	381/334
6,438,248 B1	8/2002	Kamimura et al.	
D470,833 S	2/2003	Rath et al.	
D479,226 S *	9/2003	Beauregard, Jr.	D14/223
D501,196 S *	1/2005	Dyer et al.	D14/205
D504,672 S *	5/2005	Hirano	D14/205
D506,462 S *	6/2005	Han et al.	D14/205
D510,575 S *	10/2005	Leong	D14/223

(Continued)

Related U.S. Application Data

- (62) Division of application No. 29/275,135, filed on Dec. 14, 2006, now Pat. No. Des. 605,168.

Foreign Application Priority Data

- (30) Jun. 14, 2006 (FI) M20060130

- (51) **LOC (9) Cl.** **14-01**
- (52) **U.S. Cl.** **D14/223**
- (58) **Field of Classification Search** D14/192, D14/205, 206, 223, 240, 253, 251; 379/430, 379/431; 181/129, 130, 131, 22; D24/173, D24/174; 381/330, 323, 374, 376, 377, 378, 381/379, 380, 381; 455/351

See application file for complete search history.

(56) **References Cited**

U.S. PATENT DOCUMENTS

2,566,313 A *	9/1951	Cates	181/22
3,209,080 A *	9/1965	Guttner et al.	381/330
D209,673 S	12/1967	Saunders	
4,090,042 A *	5/1978	Larkin	379/430
D255,446 S	6/1980	Iwata	
D262,965 S	2/1982	Iwata	
D280,896 S	10/1985	Campbell et al.	
4,754,484 A	6/1988	Larkin et al.	
D316,550 S	4/1991	Sogabe	
D326,268 S *	5/1992	Le Tixerant	D14/253
D334,043 S	3/1993	Taniguchi et al.	
D352,037 S	11/1994	Maeyama	

FOREIGN PATENT DOCUMENTS

FI	M20060130	6/2006
WO	DM/068338	12/2006

Primary Examiner—Paula Greene

(74) *Attorney, Agent, or Firm*—Banner & Witcoff, Ltd.

(57) **CLAIM**

The ornamental design for an earpiece for a headset, as shown and described.

DESCRIPTION

FIG. 1 is a top plan view of an earpiece for a headset showing our new design;

FIG. 2 is a right side view thereof;

FIG. 3 is a front view thereof;

FIG. 4 is a left side view thereof;

FIG. 5 is a bottom plan view thereof;

FIG. 6 is a rear view thereof;

FIG. 7 is a perspective front view thereof;

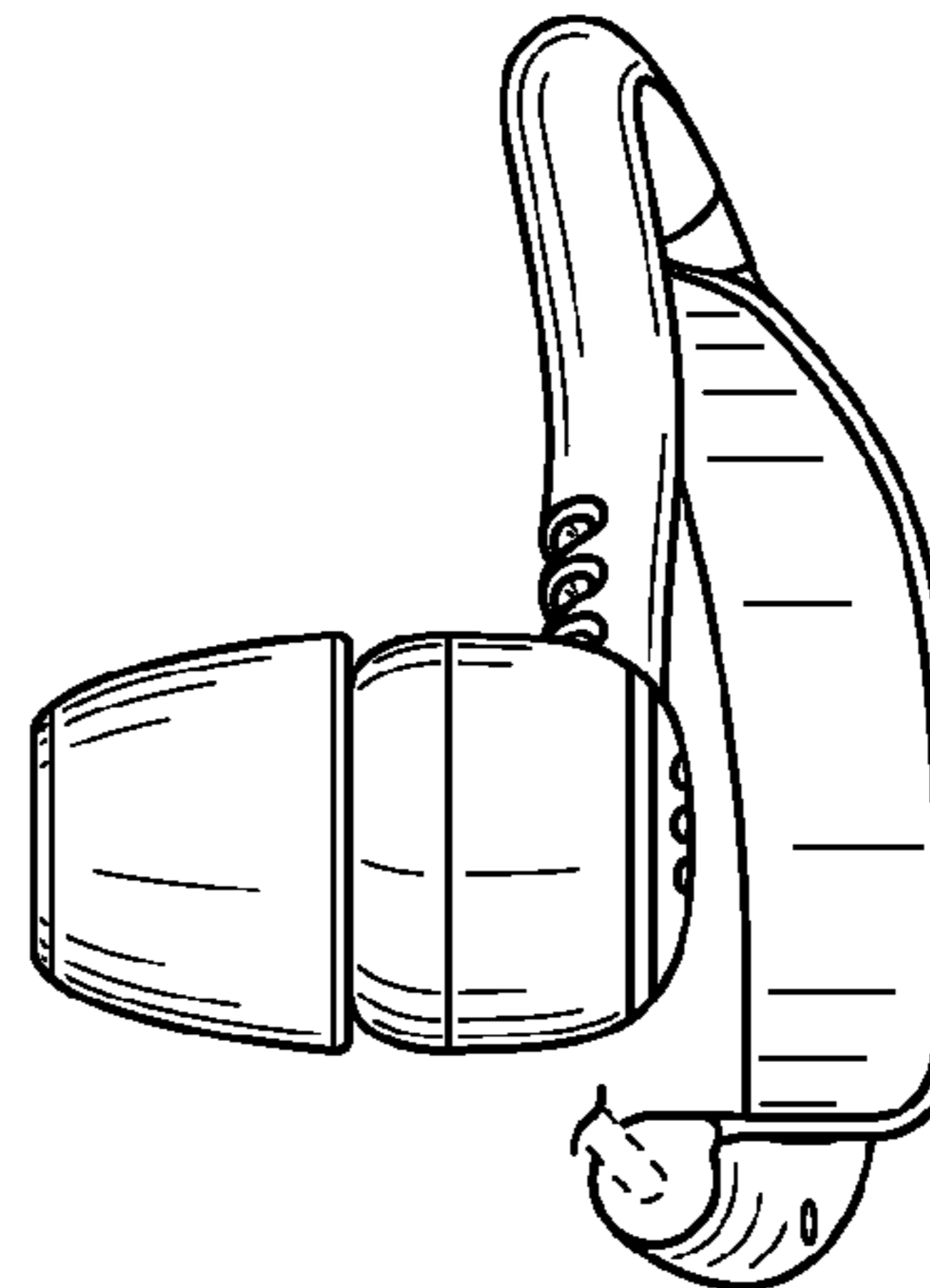
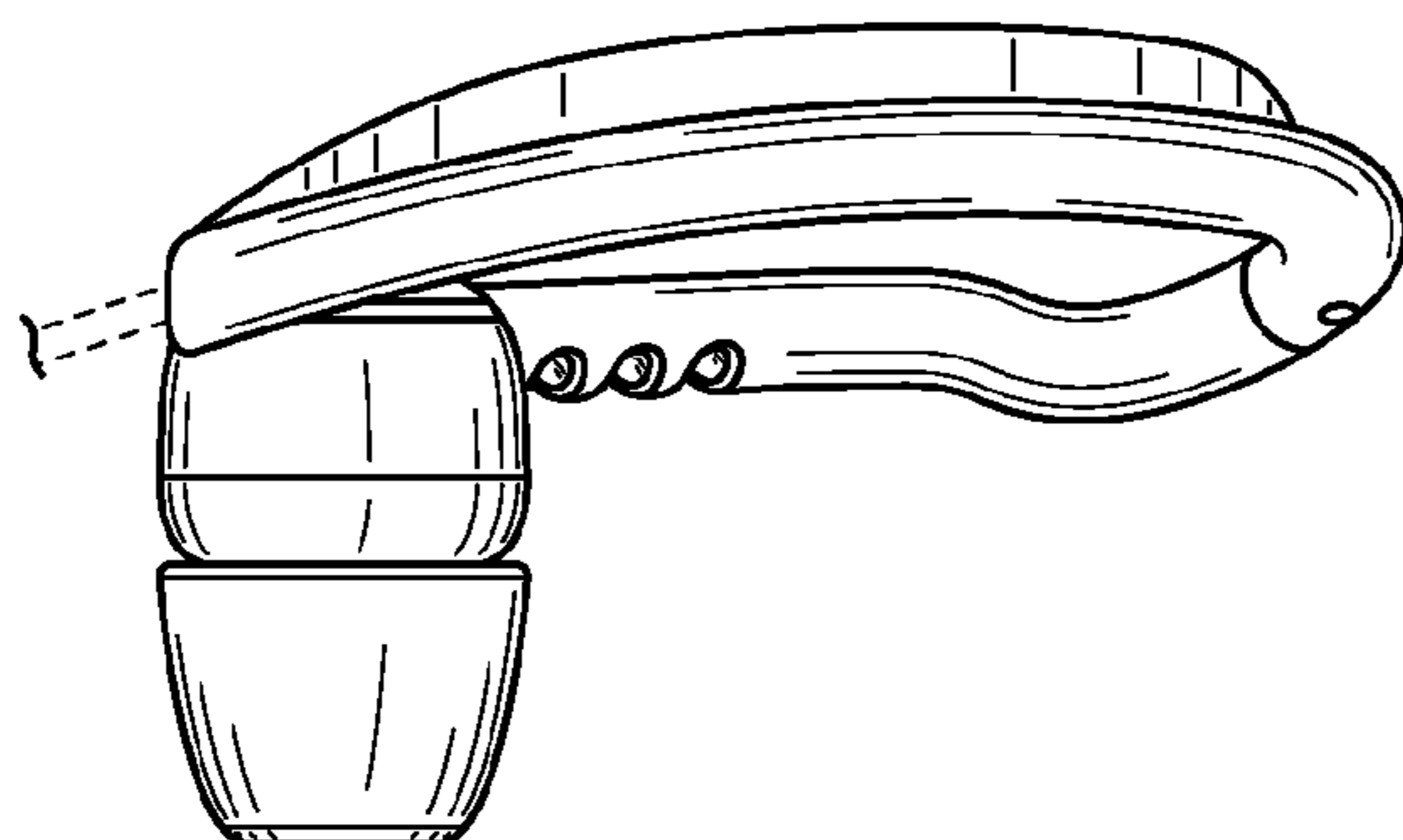
FIG. 8 is another perspective front view thereof;

FIG. 9 is a perspective rear view thereof; and,

FIG. 10 is another perspective rear view thereof.

The broken lines form no part of the claimed design.

1 Claim, 3 Drawing Sheets



US D617,780 S

Page 2

U.S. PATENT DOCUMENTS

D511,157 S	11/2005	Johnson	
D514,084 S	1/2006	Lee et al.	
D515,069 S *	2/2006	Naito	D14/205
D517,052 S	3/2006	Skulley	
D518,816 S *	4/2006	Naito et al.	D14/205
D520,496 S *	5/2006	Gwee	D14/223
D525,617 S *	7/2006	Darbut	D14/223
D527,377 S *	8/2006	Darbut	D14/223
7,120,268 B2	10/2006	Murozaki et al.	
D540,346 S	4/2007	Jaakkola	
D543,968 S *	6/2007	Wong	D14/205
D565,023 S	3/2008	Yamagishi	
D566,695 S	4/2008	Rath	
D567,216 S	4/2008	Densho	
D569,841 S	5/2008	Chung et al.	
D578,507 S *	10/2008	Ando	D14/205
D588,101 S	3/2009	Bradford	
D590,371 S	4/2009	Leinvuo	
D605,168 S *	12/2009	Jaakkola et al.	D14/205
7,648,005 B2 *	1/2010	Leong et al.	181/135

* cited by examiner

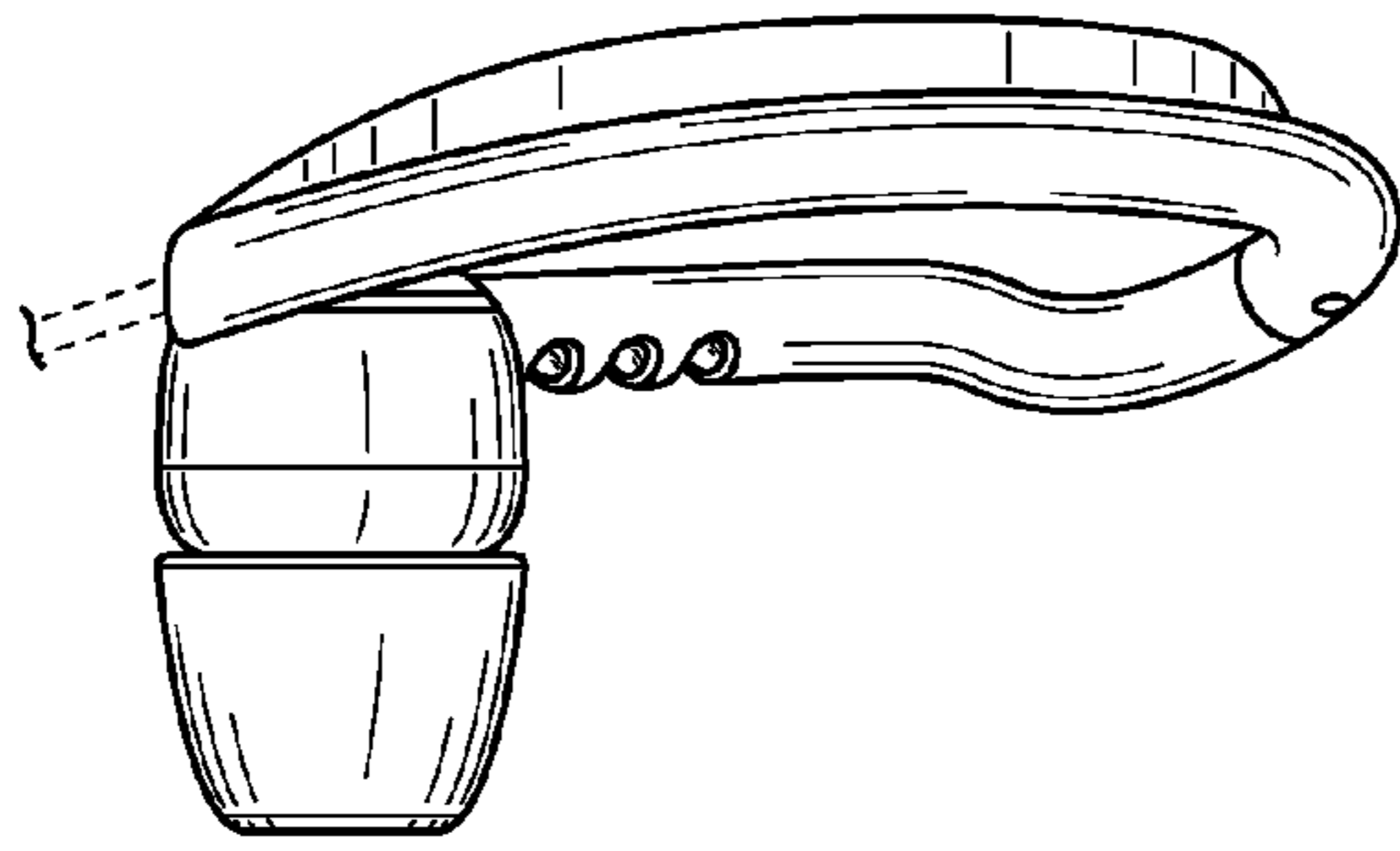


FIG. 1

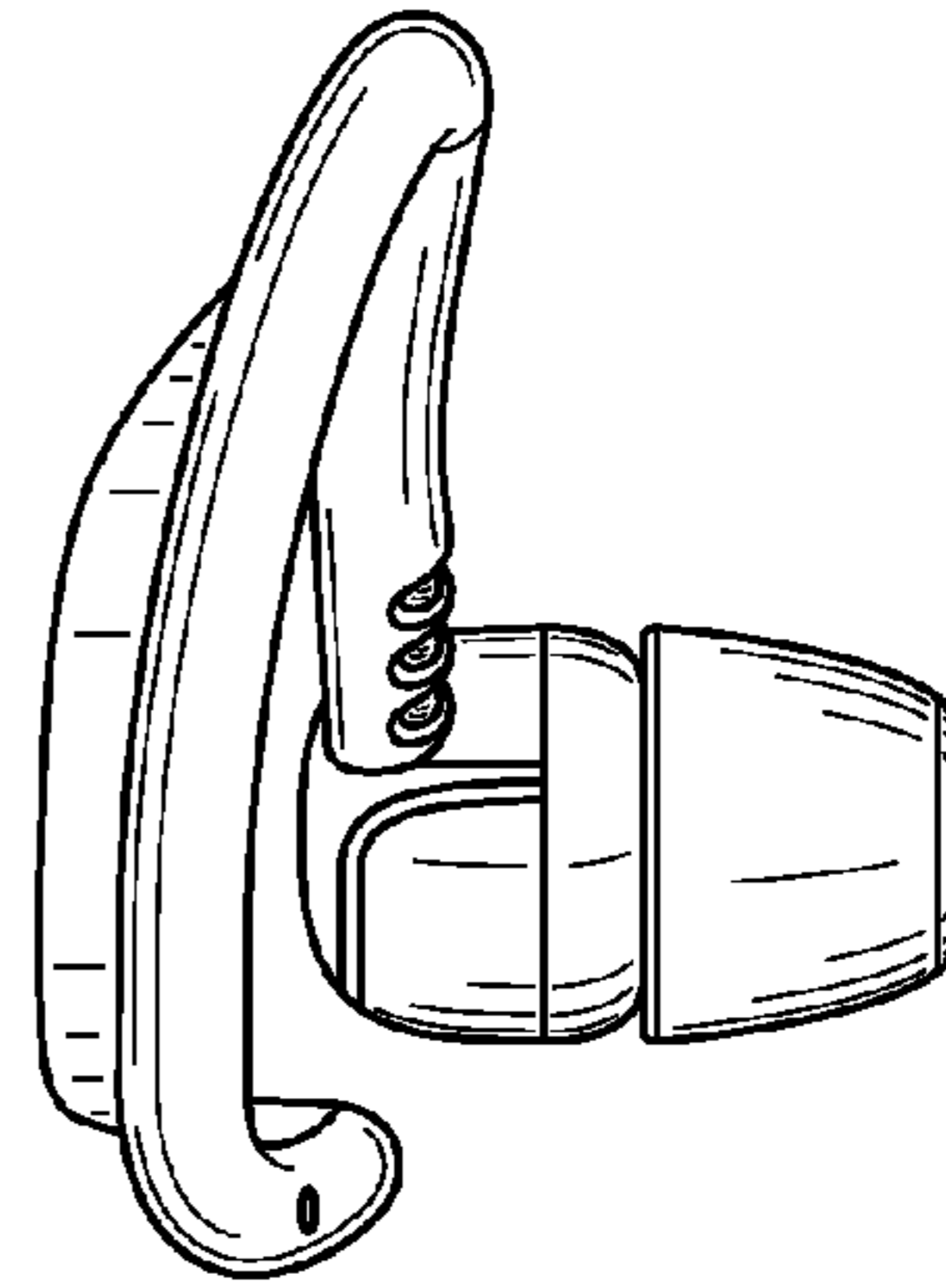


FIG. 2

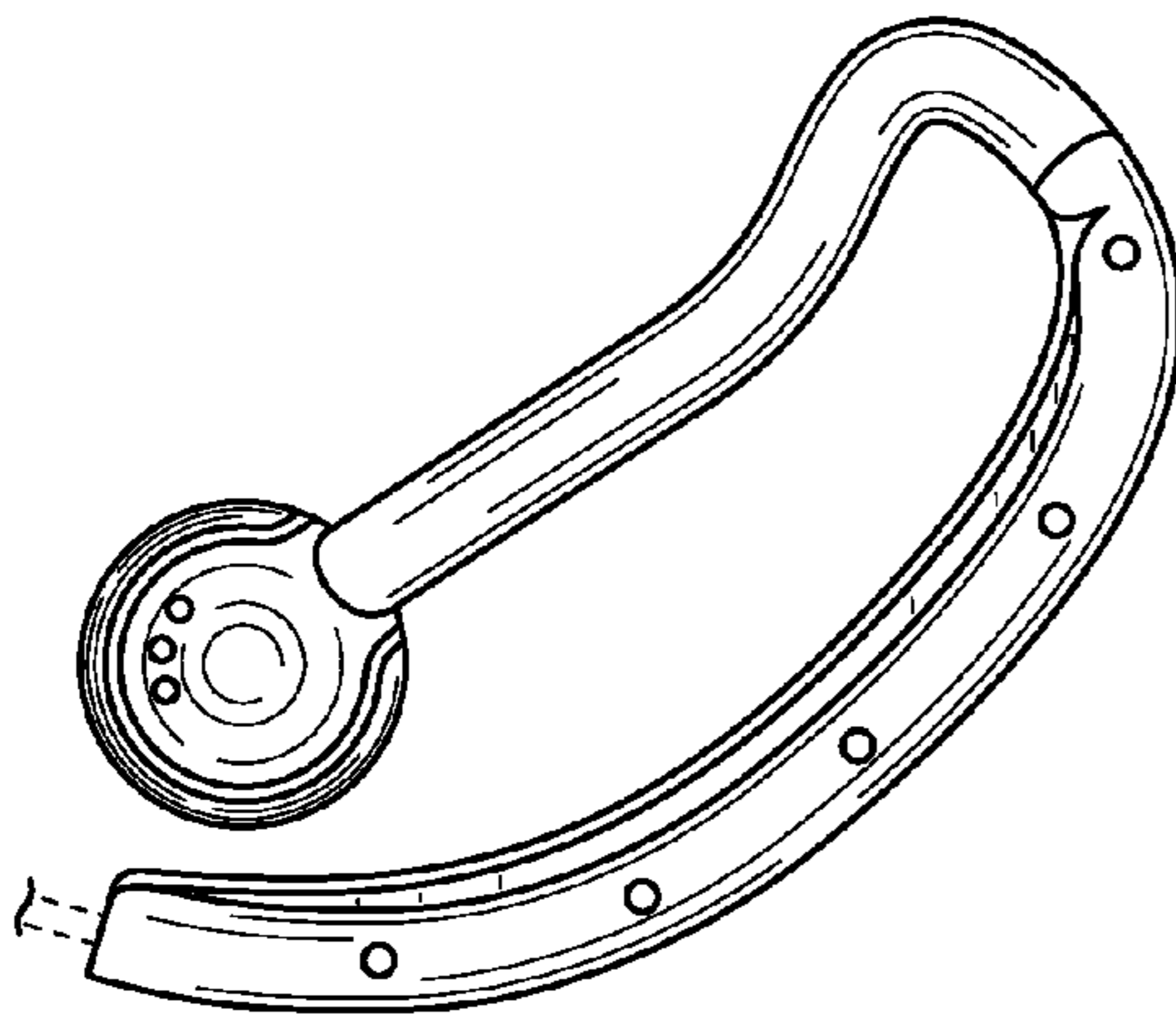


FIG. 3

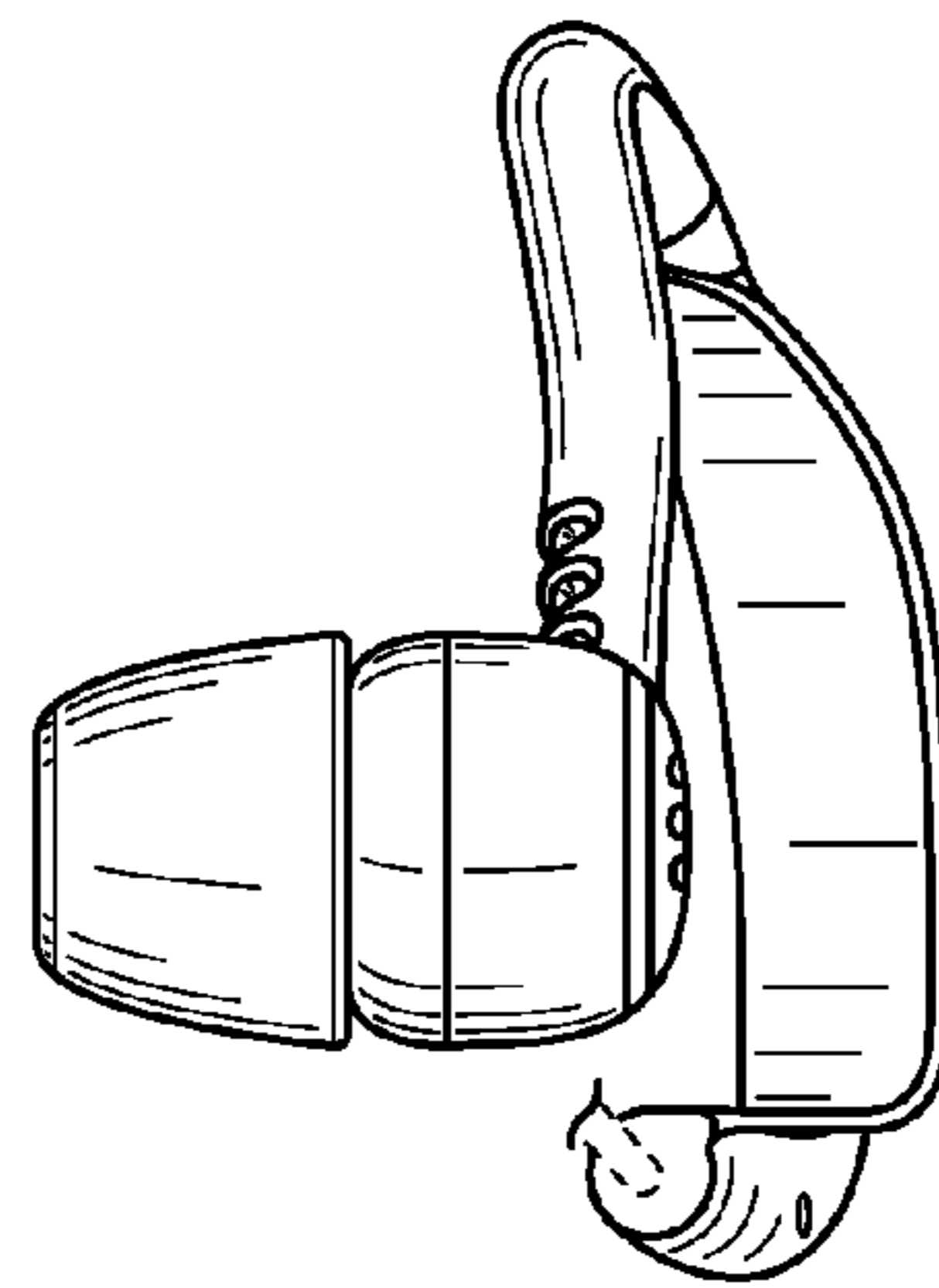


FIG. 4

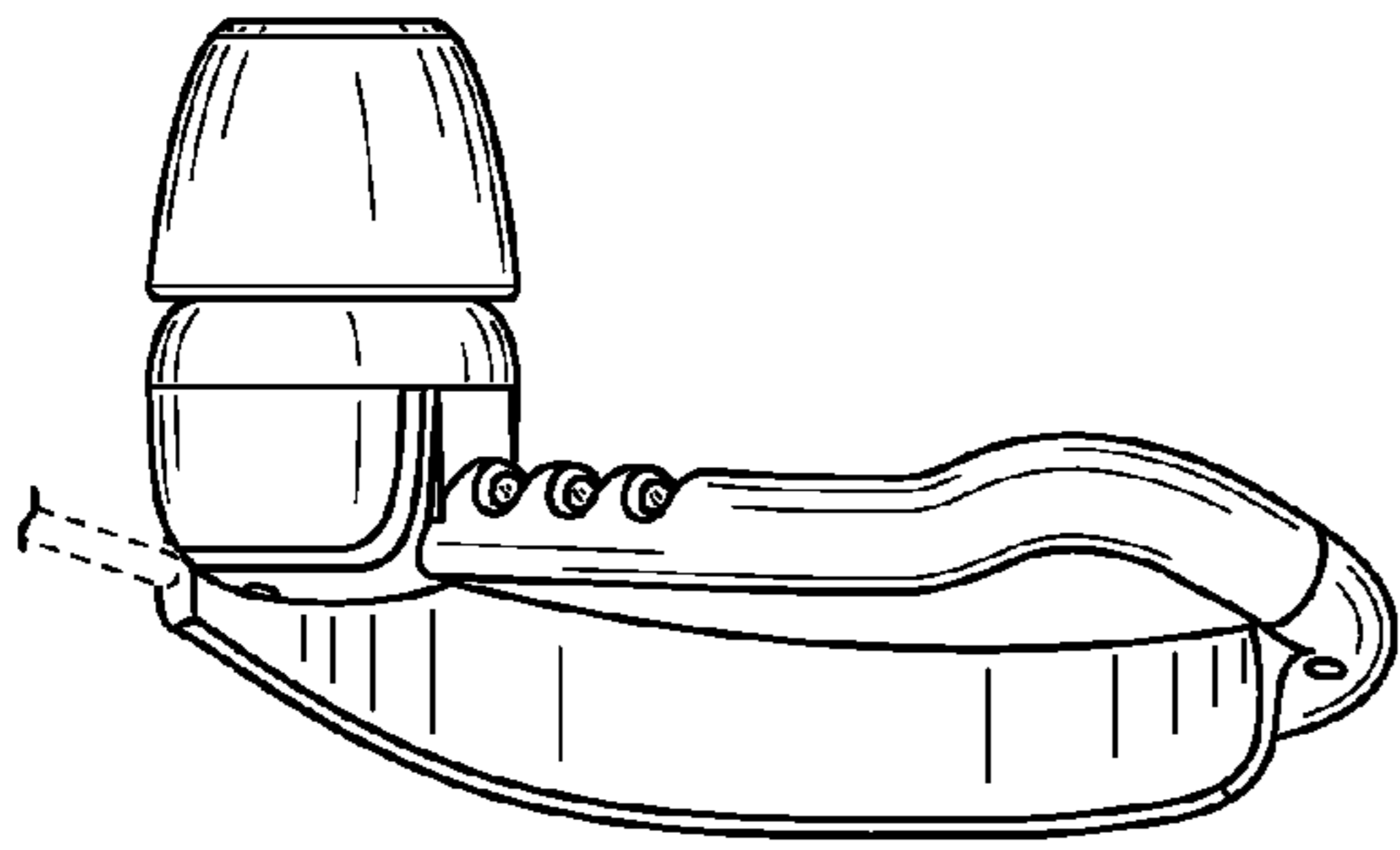


FIG. 5

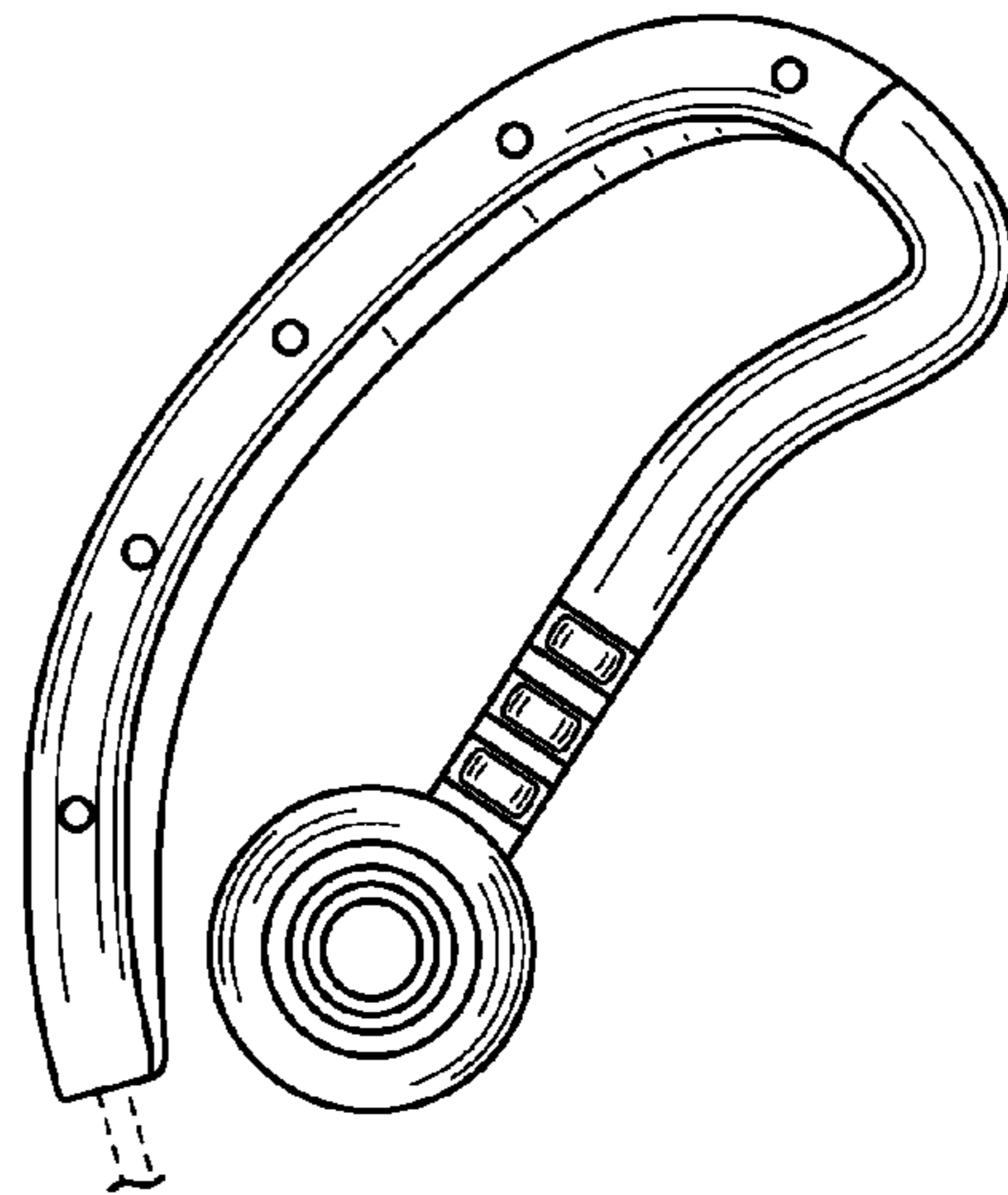


FIG. 6

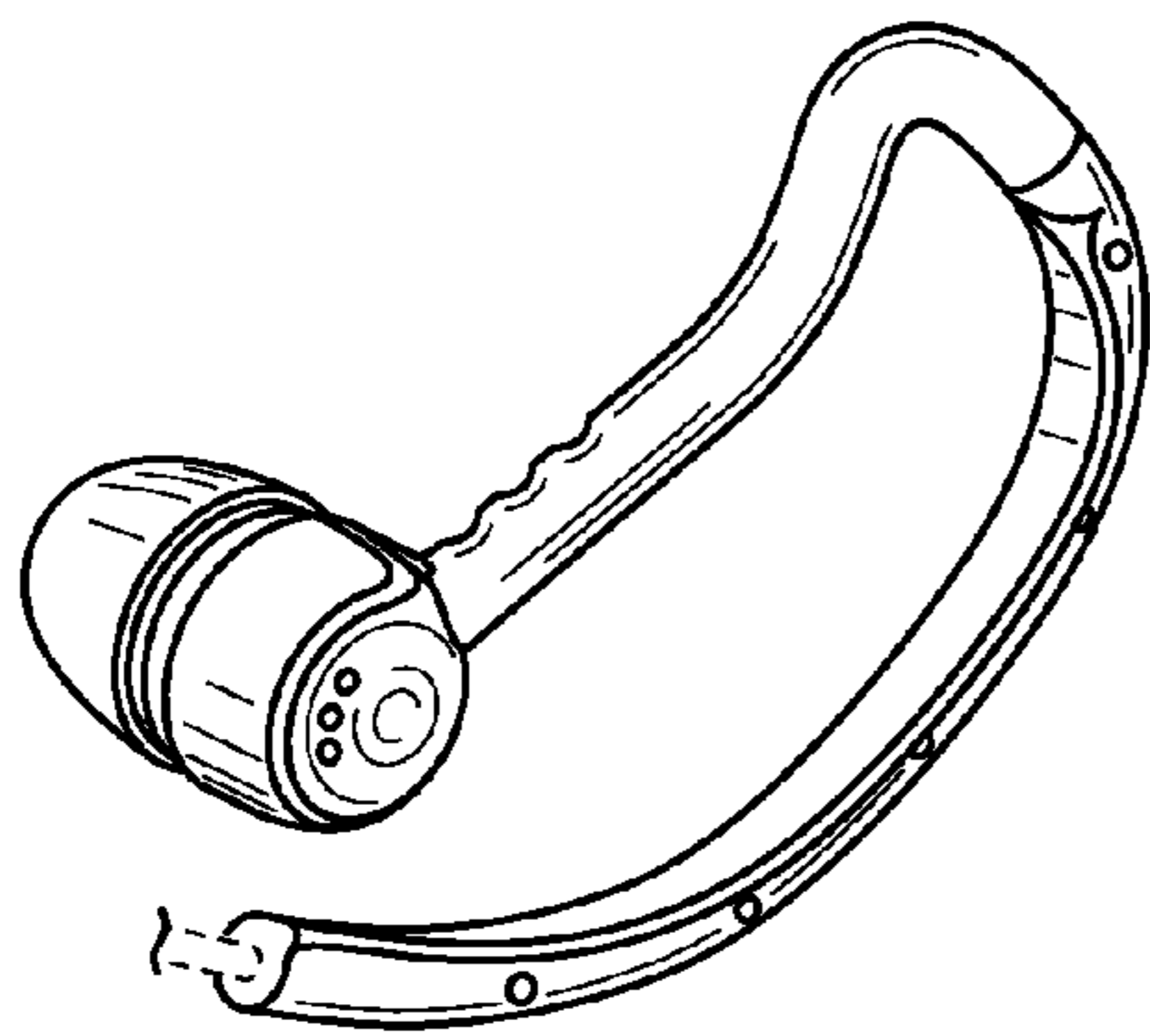


FIG. 7

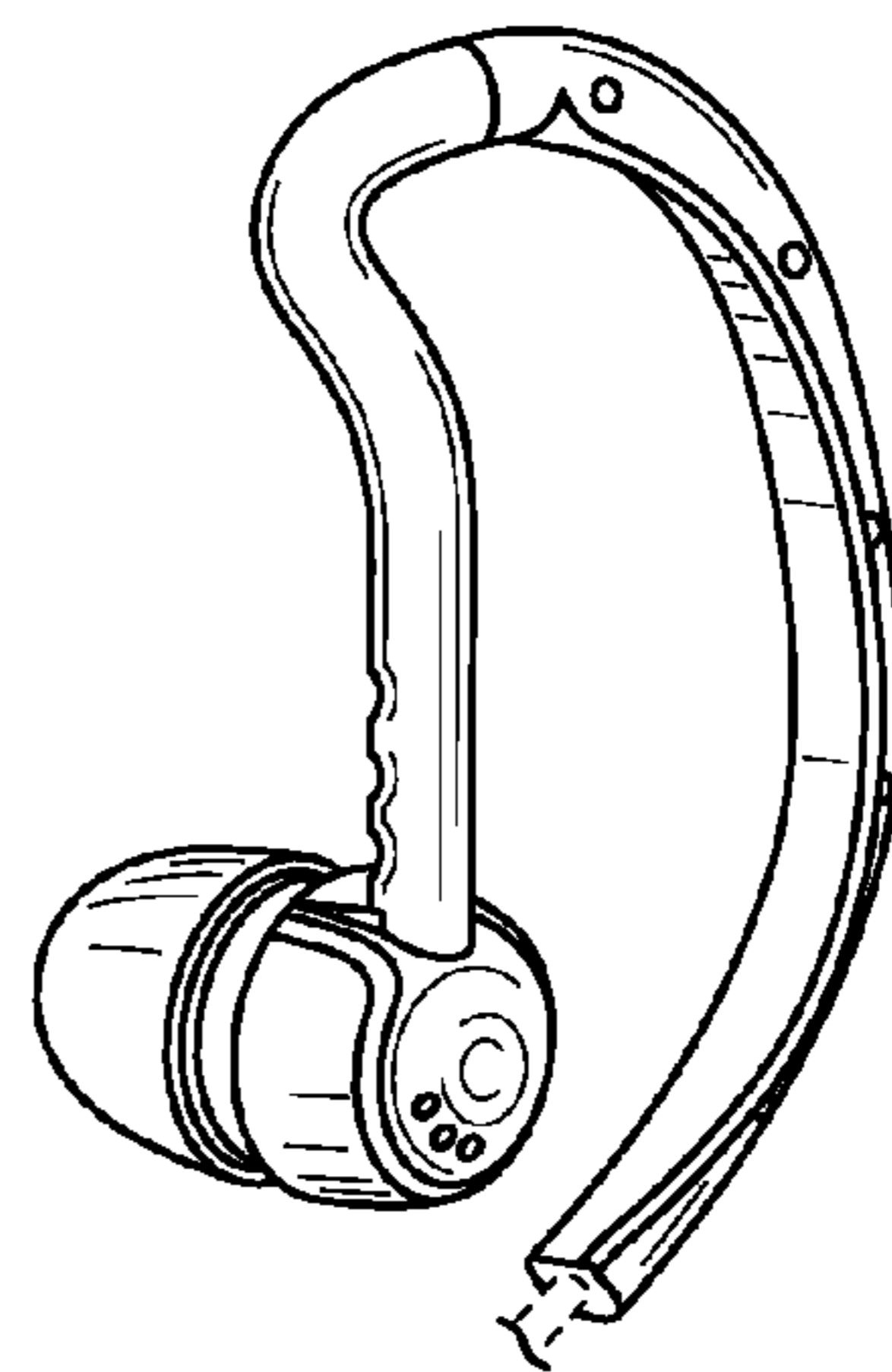


FIG. 8

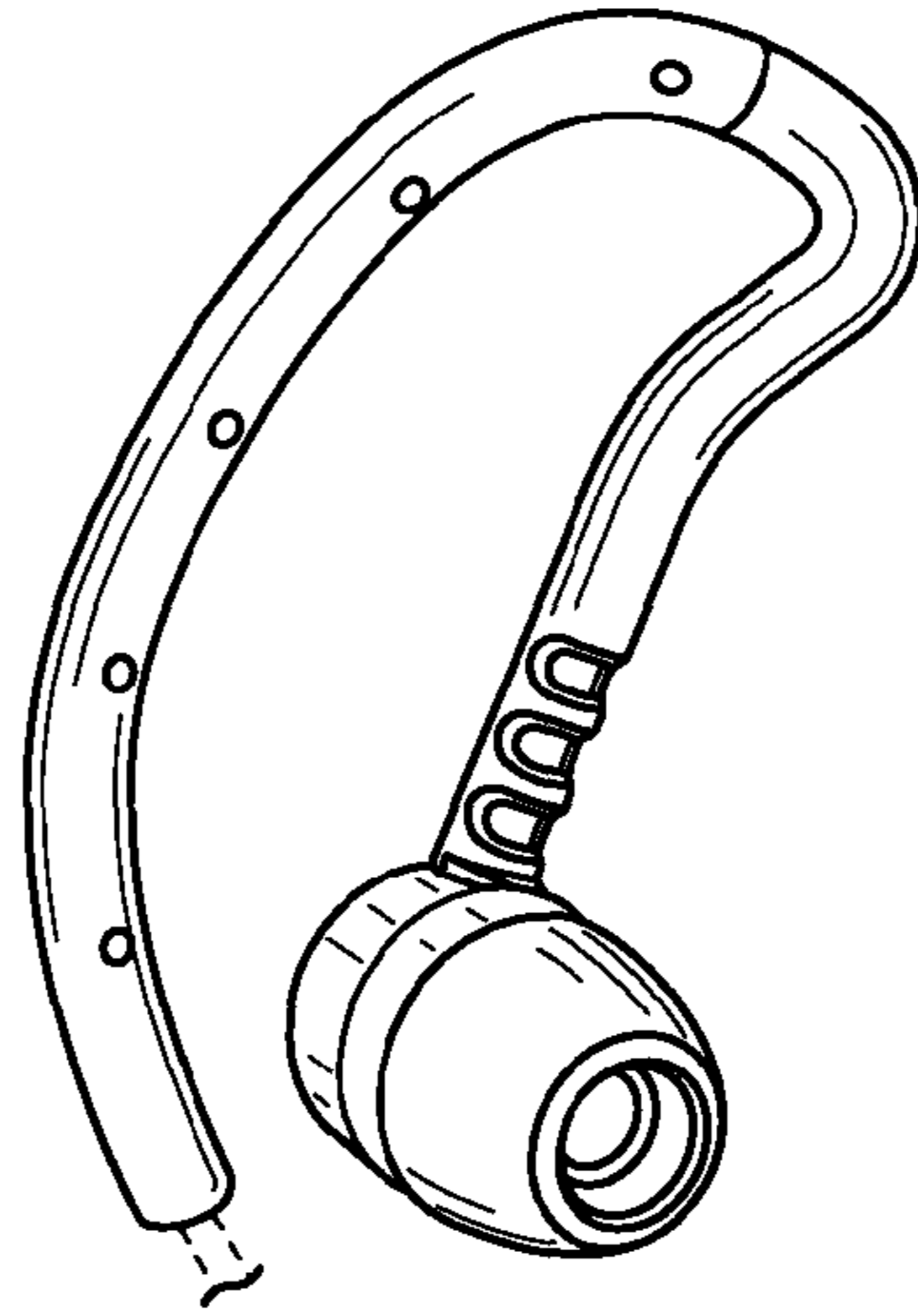


FIG. 9

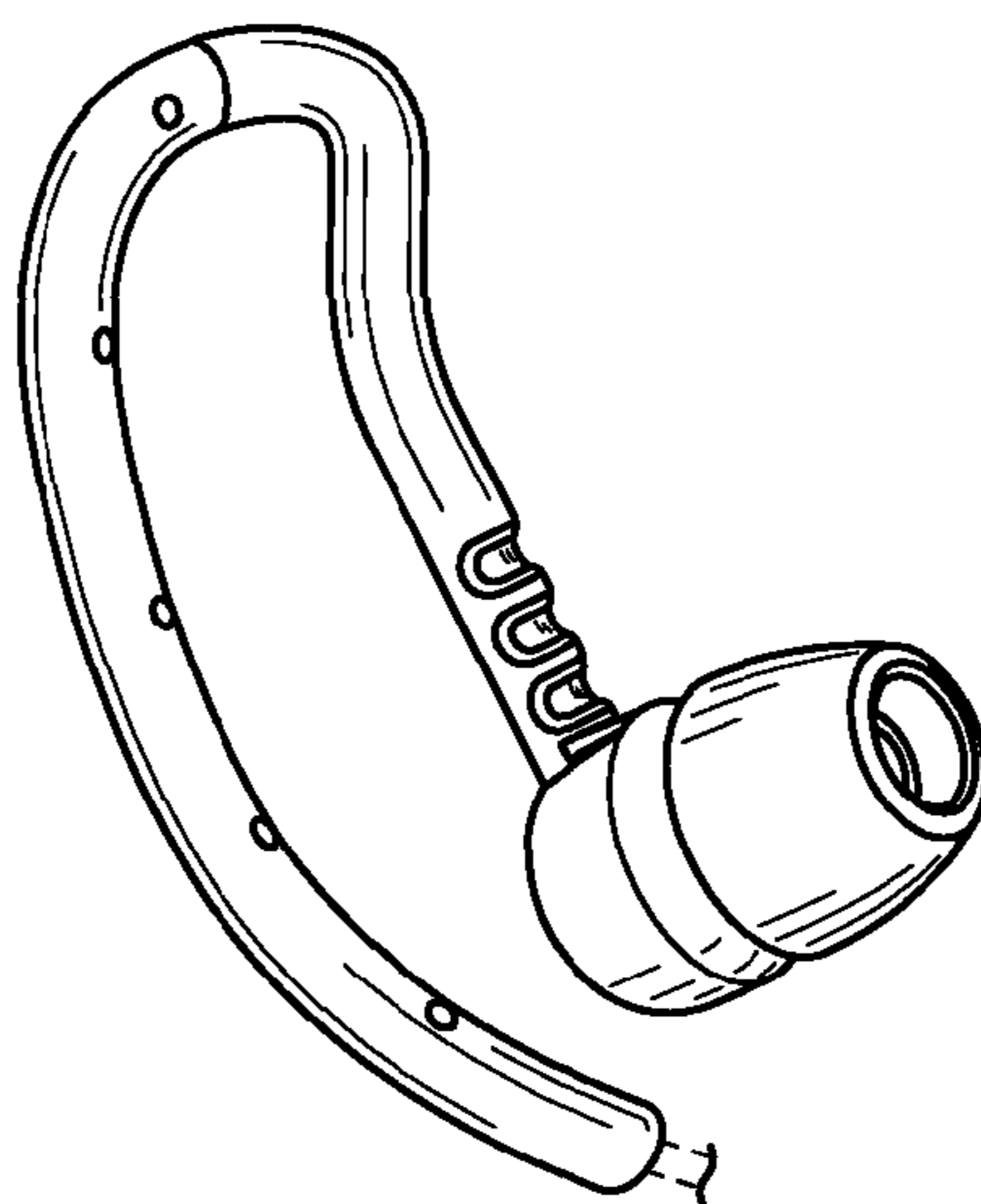


FIG. 10