



US00D617779S

(12) **United States Design Patent**  
**Nylen**

(10) **Patent No.:** **US D617,779 S**  
(45) **Date of Patent:** **\*\* Jun. 15, 2010**

(54) **HEADSET**

(75) Inventor: **Tuomas Nylen**, Helsinki (FI)

(73) Assignee: **Nokia Corporation**, Espoo (FI)

(\*\*) Term: **14 Years**

(21) Appl. No.: **29/342,672**

(22) Filed: **Aug. 28, 2009**

(51) **LOC (9) Cl.** ..... **14-01**

(52) **U.S. Cl.** ..... **D14/223**

(58) **Field of Classification Search** ..... D14/205,  
D14/206, 223; 181/129, 130; 379/430; 381/380,  
381/381; D29/112

See application file for complete search history.

(56) **References Cited**

**U.S. PATENT DOCUMENTS**

D470,122 S *	2/2003	Hlas et al.	.....	D14/205
D470,123 S *	2/2003	Hlas et al.	.....	D14/205
D470,128 S *	2/2003	Hlas et al.	.....	D14/223
D498,750 S *	11/2004	Ma	.....	D14/223
D502,171 S *	2/2005	Tang et al.	.....	D14/223
D508,485 S *	8/2005	Katsumata	.....	D14/223
D509,210 S *	9/2005	Skulley et al.	.....	D14/205
D512,049 S *	11/2005	Yang	.....	D14/223
D526,313 S *	8/2006	Murray	.....	D14/223
D538,271 S *	3/2007	Kim et al.	.....	D14/223
D538,792 S *	3/2007	Kim et al.	.....	D14/223
D539,787 S *	4/2007	Kim et al.	.....	D14/223

D553,613 S *	10/2007	Sade et al.	.....	D14/223
D554,626 S *	11/2007	Christopher	.....	D14/223
D555,151 S *	11/2007	Eklund	.....	D14/223
D566,105 S *	4/2008	Yang et al.	.....	D14/223
D566,692 S *	4/2008	Sade et al.	.....	D14/223
D574,366 S *	8/2008	Sade et al.	.....	D14/223
D575,276 S *	8/2008	Bradford et al.	.....	D14/223
D590,378 S	4/2009	Bradford		
D590,813 S	4/2009	Bradford et al.		

\* cited by examiner

*Primary Examiner*—Paula Greene

(74) *Attorney, Agent, or Firm*—Banner & Witcoff, Ltd.

(57) **CLAIM**

The ornamental design for a headset, as shown and described.

**DESCRIPTION**

FIG. 1 is a perspective front view of a headset showing my new design;

FIG. 2 is a front view thereof;

FIG. 3 is a rear view thereof;

FIG. 4 is a right side view thereof;

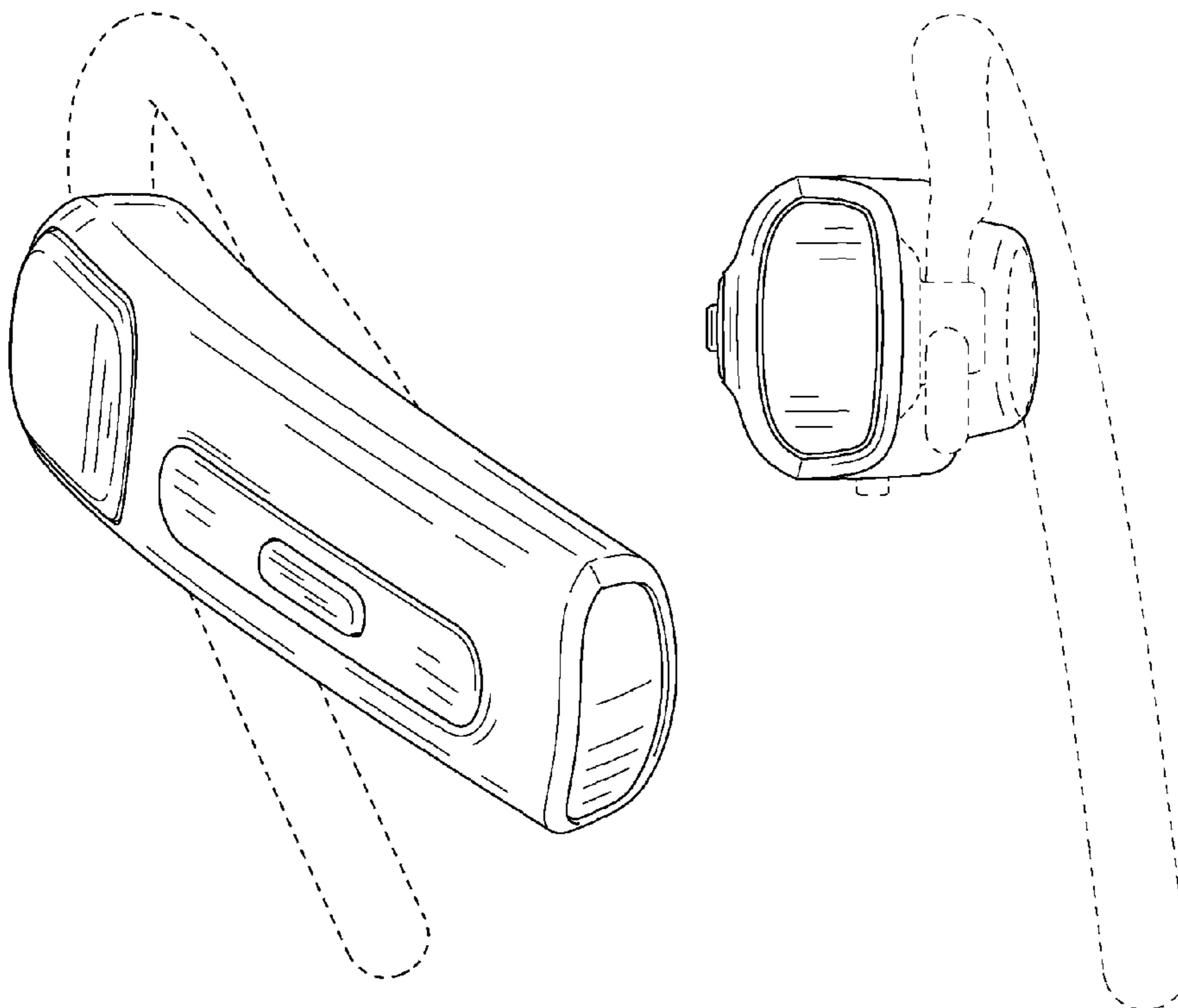
FIG. 5 is a left side view thereof;

FIG. 6 is a bottom plan view thereof; and,

FIG. 7 is a top plan view thereof.

The broken line showing in FIGS. 1-7 is for illustrative purposes only and forms no part of the claimed design.

**1 Claim, 7 Drawing Sheets**



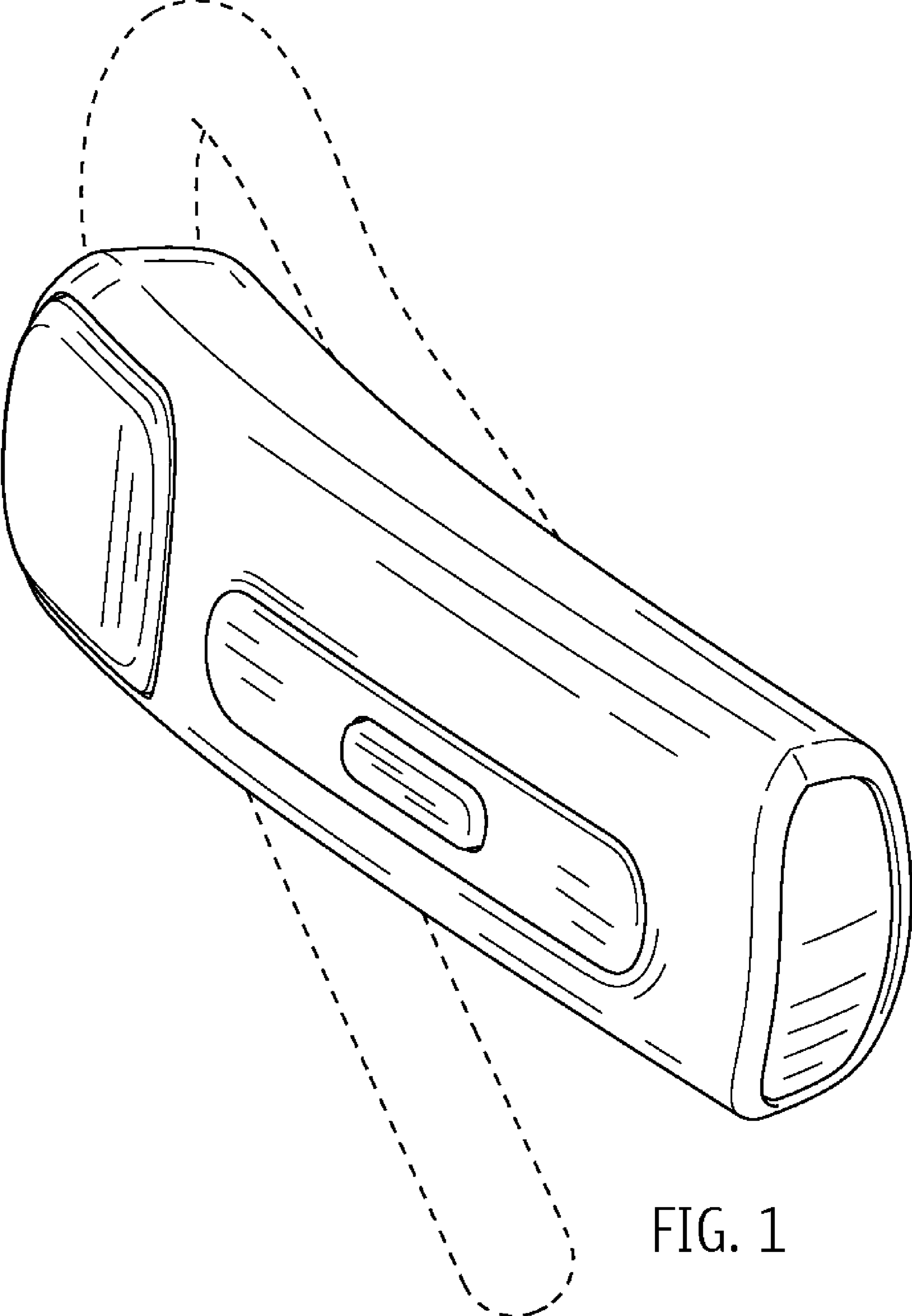


FIG. 1

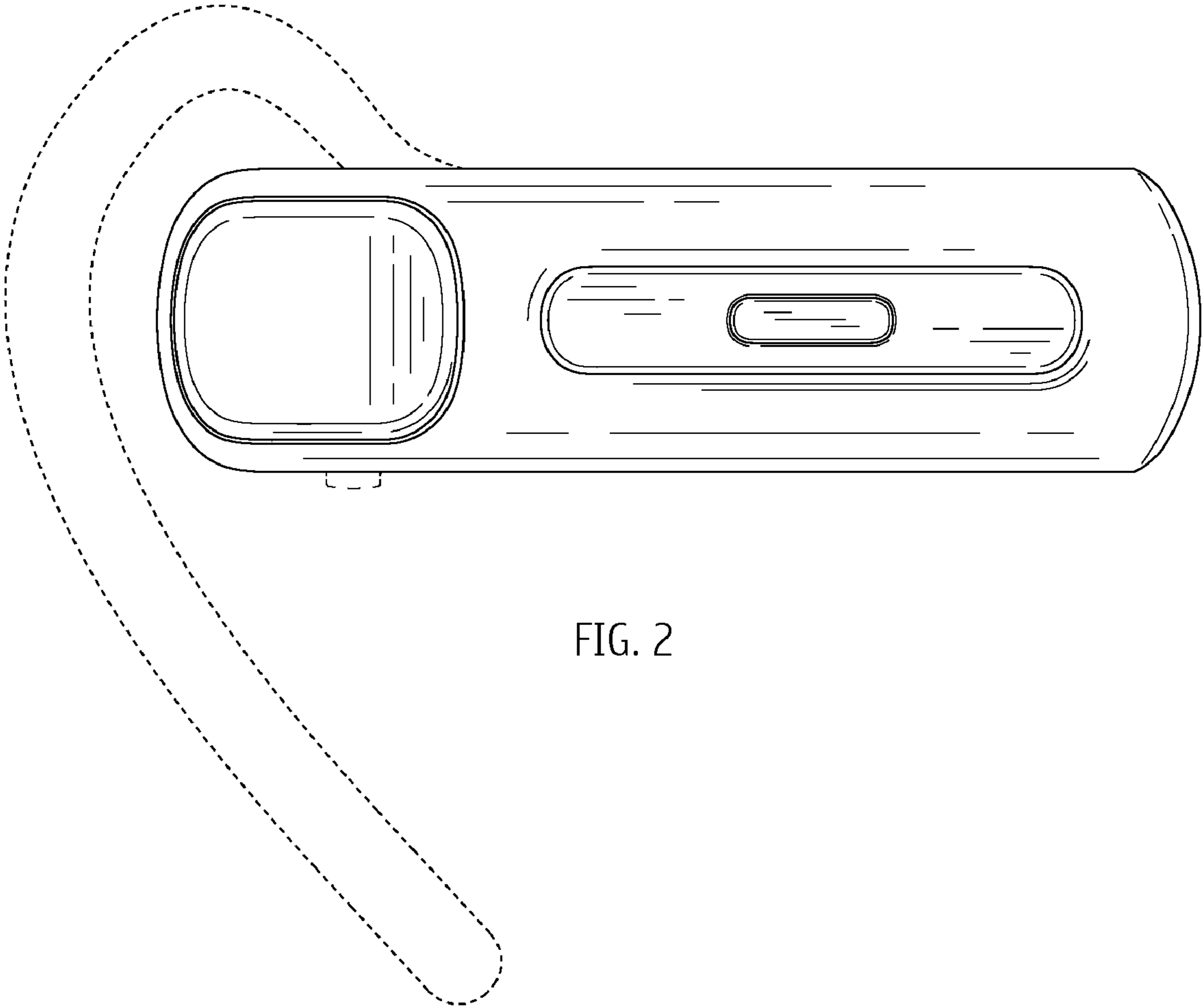


FIG. 2

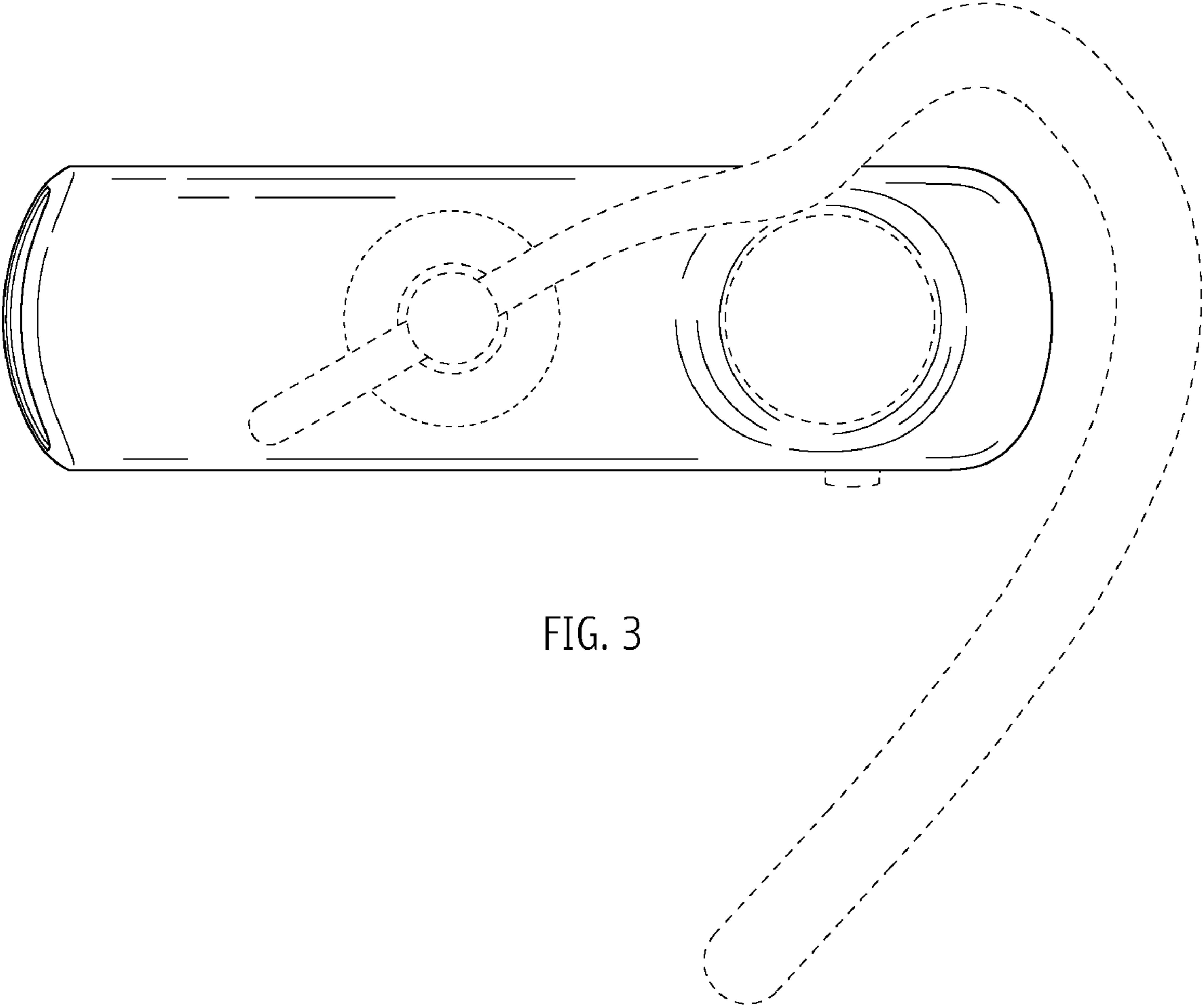


FIG. 3

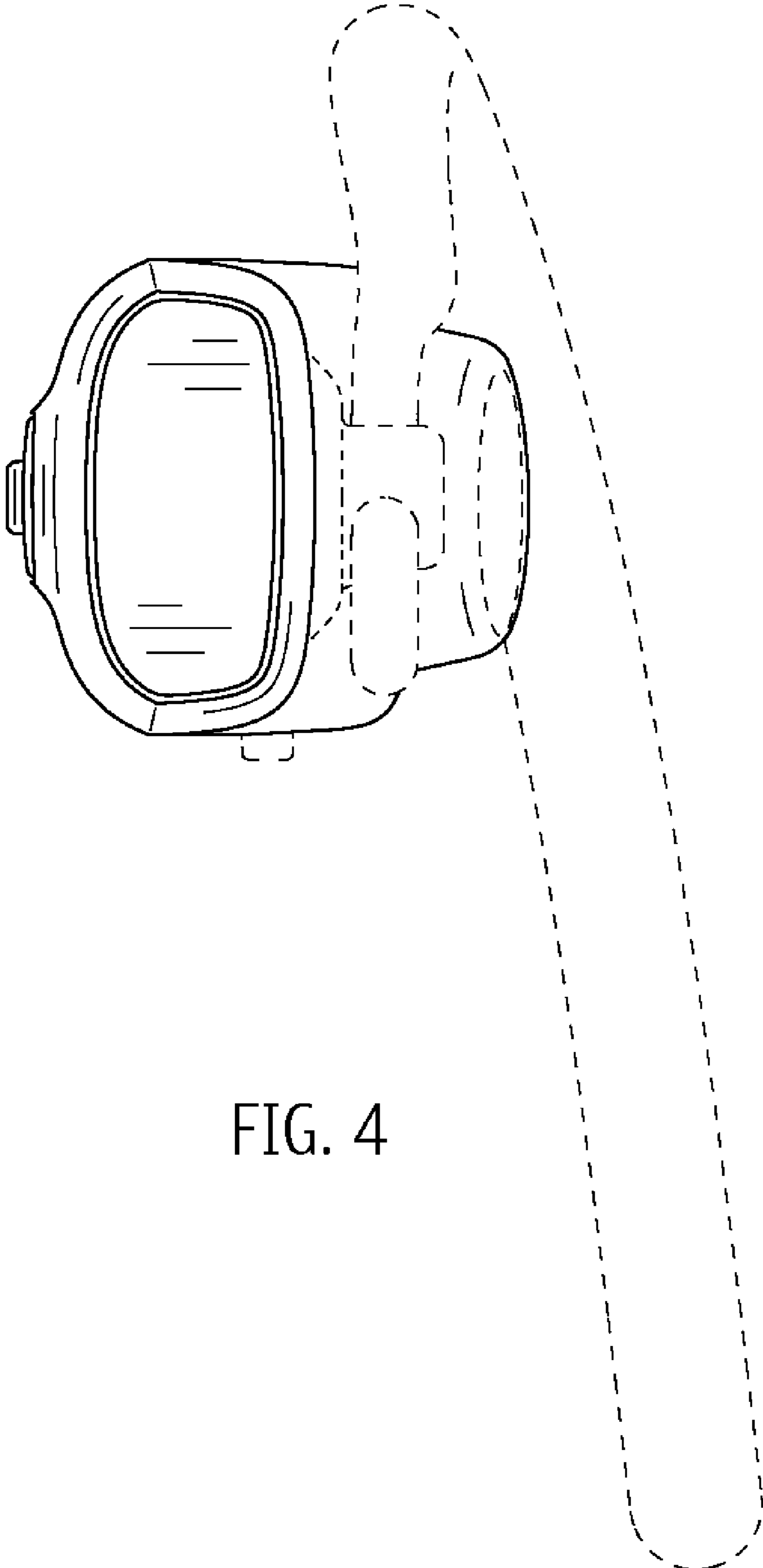


FIG. 4

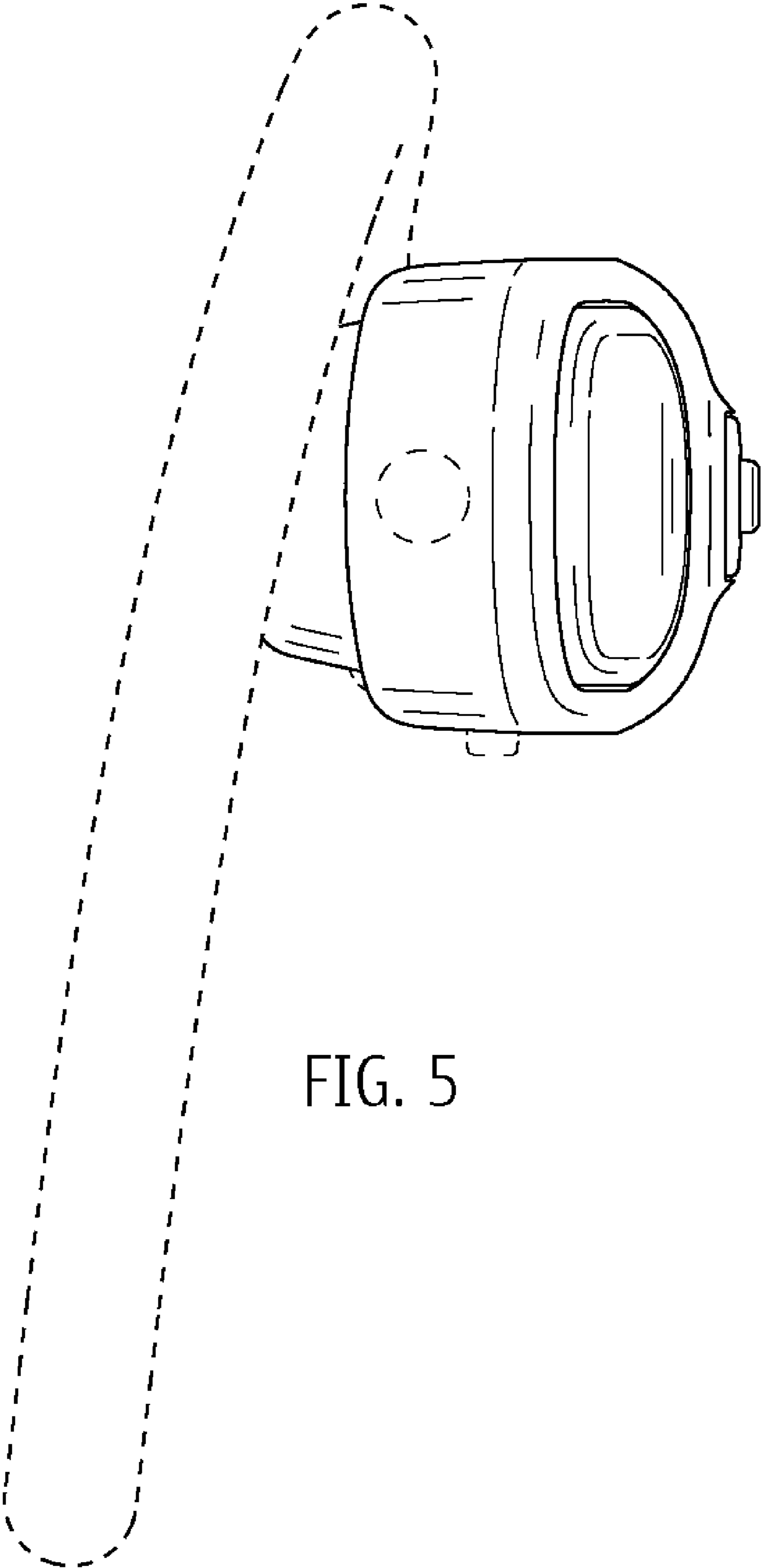


FIG. 5

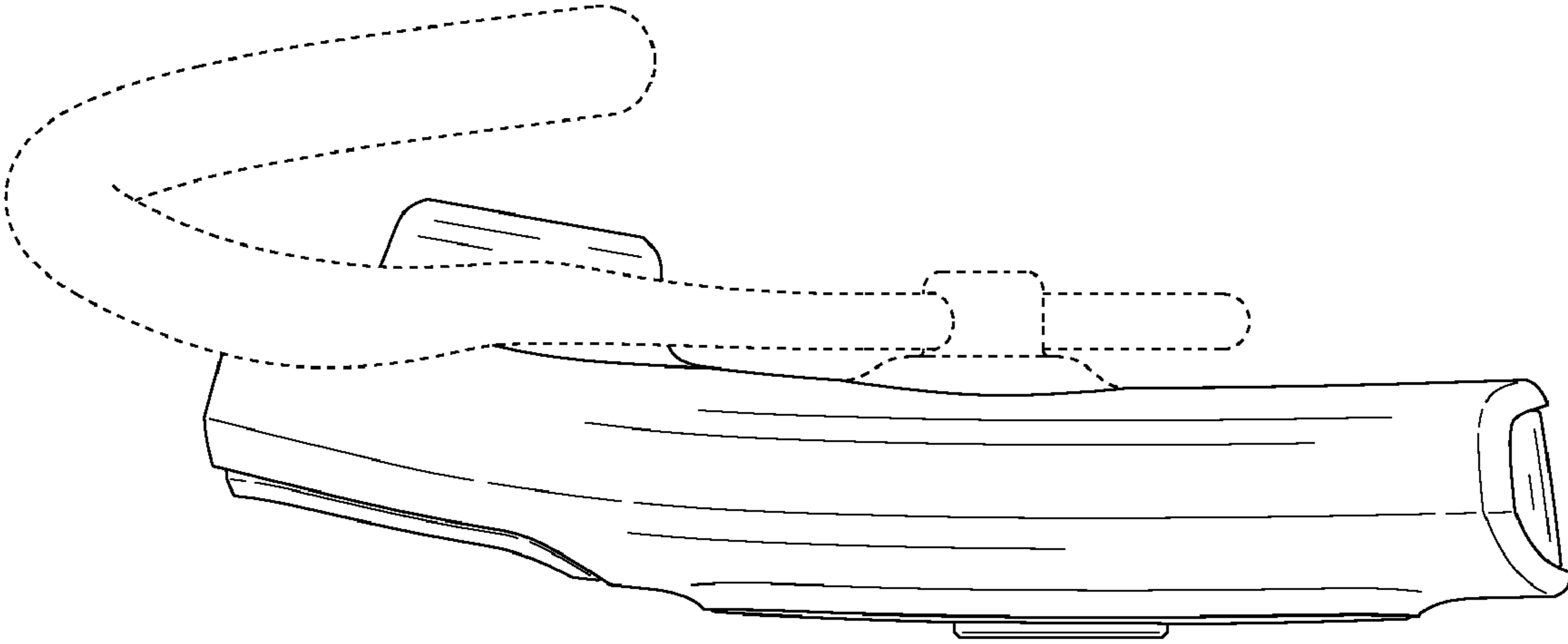


FIG. 6

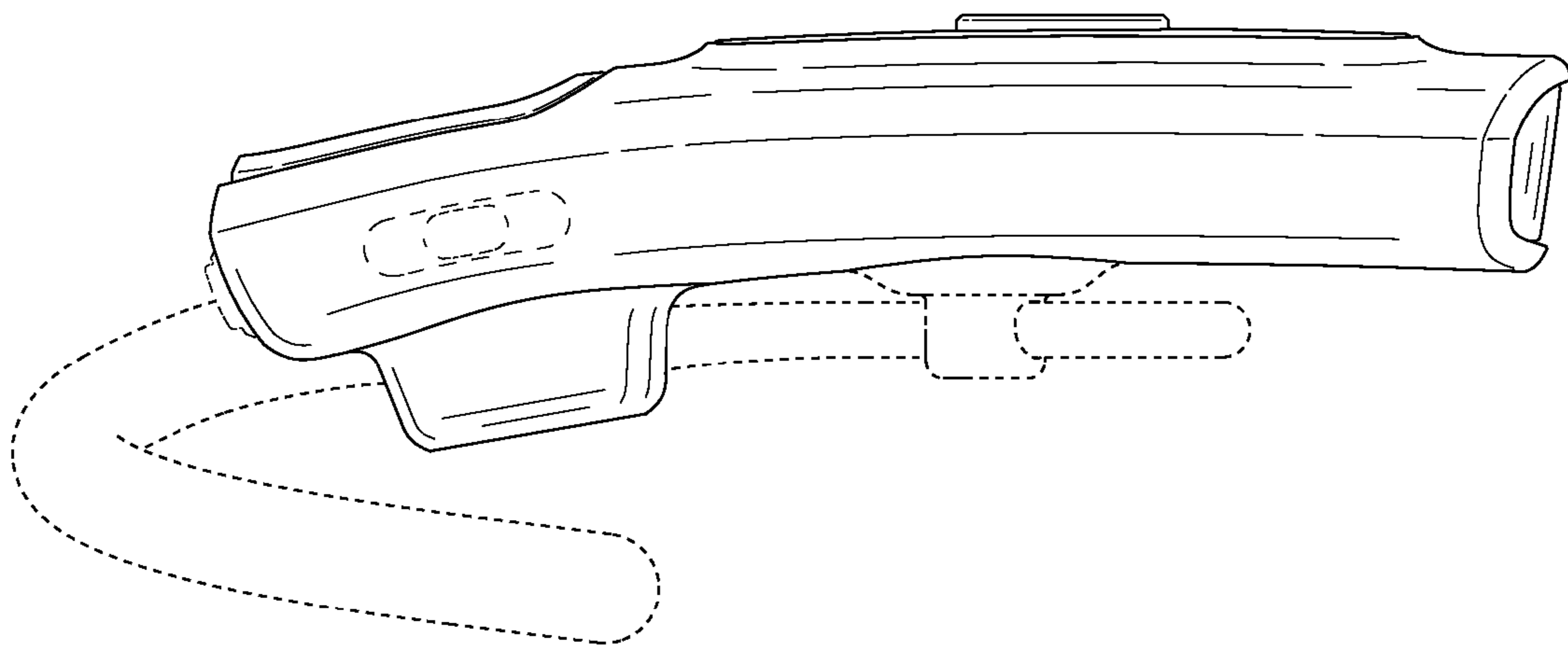


FIG. 7