



US00D617775S

(12) **United States Design Patent**  
**Chae et al.**

(10) **Patent No.:** **US D617,775 S**  
(45) **Date of Patent:** **\*\* Jun. 15, 2010**

(54) **SPEAKER**

(75) Inventors: **Ken Sakamaki Chae**, Baltimore, MD (US); **Mark James Suskind**, Freeland, MD (US); **Steven St. John Tourison**, Glen Burnie, MD (US)

(73) Assignee: **Polk Audio, Inc.**, Baltimore, MD (US)

(\*\*) Term: **14 Years**

(21) Appl. No.: **29/296,897**

(22) Filed: **Oct. 30, 2007**

(51) **LOC (9) Cl.** ..... **14-01**

(52) **U.S. Cl.** ..... **D14/215**

(58) **Field of Classification Search** ..... D14/204, D14/210–216, 172; 181/143–144, 147–148, 181/150–153, 157, 198–199; 381/300–303, 381/306, 332–333, 336, 345, 361–364, 386–388  
See application file for complete search history.

(56) **References Cited**

U.S. PATENT DOCUMENTS

3,194,340	A *	7/1965	Kuwayama	.....	381/346
5,937,074	A *	8/1999	Carver	.....	381/395
6,054,938	A *	4/2000	Nakajima et al.	.....	341/13
D449,036	S *	10/2001	Weikel et al.	.....	D14/215
D507,259	S *	7/2005	Taylor	.....	D14/215
D531,617	S *	11/2006	Rozier	.....	D14/215
D533,541	S *	12/2006	Motoishi	.....	D14/215

FOREIGN PATENT DOCUMENTS

JP	D1224446	12/2004
TW	553659	9/2003
TW	566928	12/2003
TW	D118681	8/2007
TW	D119703	11/2007

OTHER PUBLICATIONS

*Stuff* 98 May 2007, F2007233728/2007305300, dated May 2007.  
Search Report from the Taiwanese Intellectual Property Office re: Taiwanese Design Application No. 097302529, Jan. 8, 2009.

\* cited by examiner

*Primary Examiner*—Nanda Bondade

(74) *Attorney, Agent, or Firm*—J. A. McKinney, Jr.

(57) **CLAIM**

The ornamental design for a speaker, substantially as shown and described.

**DESCRIPTION**

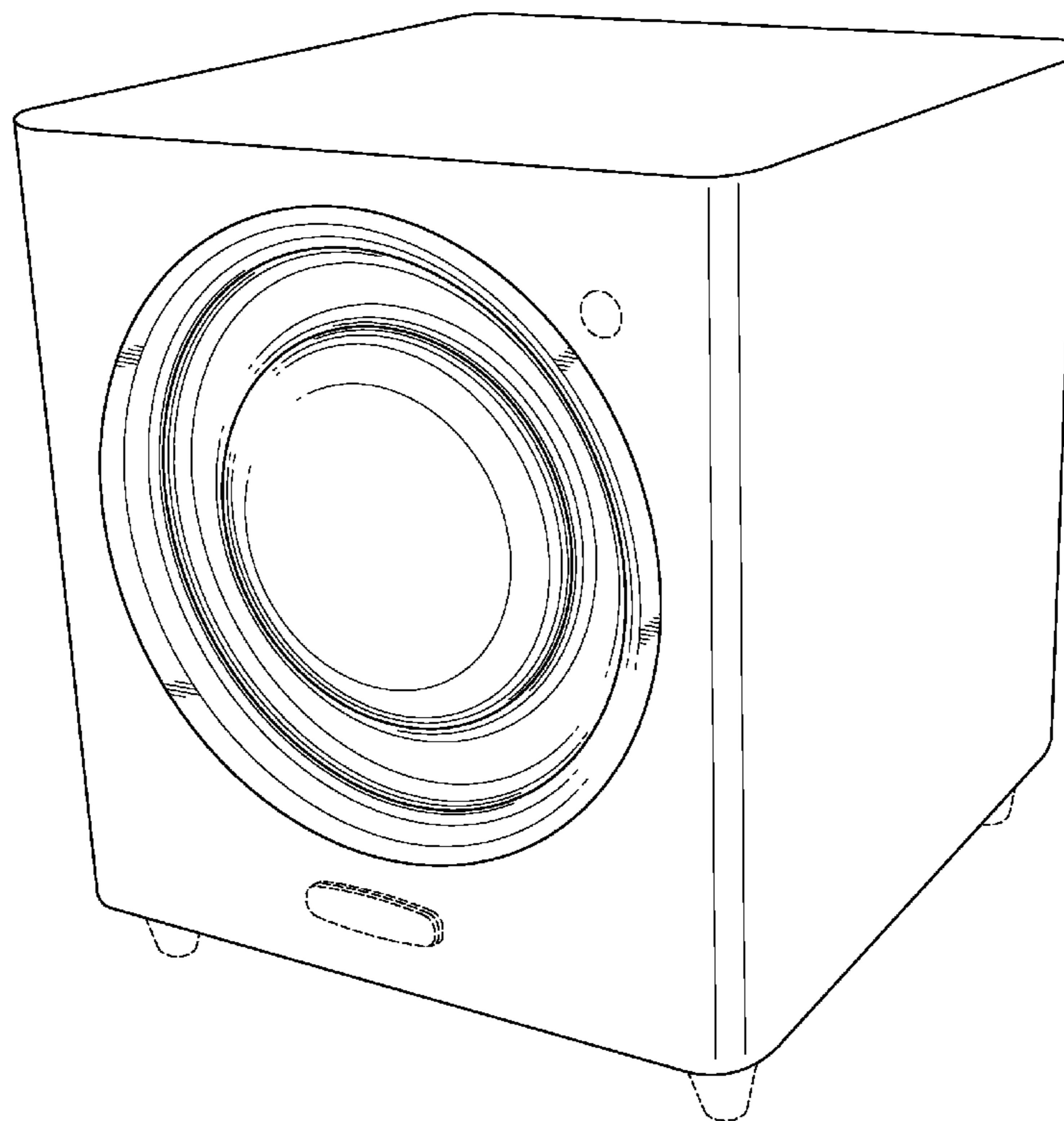
FIG. 1 is a front perspective view of a speaker showing my new design;

FIG. 2 is front elevational view thereof; and,

FIG. 3 is a cross sectional view thereof, taken from reference points 3—3 on FIG. 2.

The broken line showing on the drawing disclosure is for illustrative purposes only and forms no part of the claimed design.

**1 Claim, 3 Drawing Sheets**



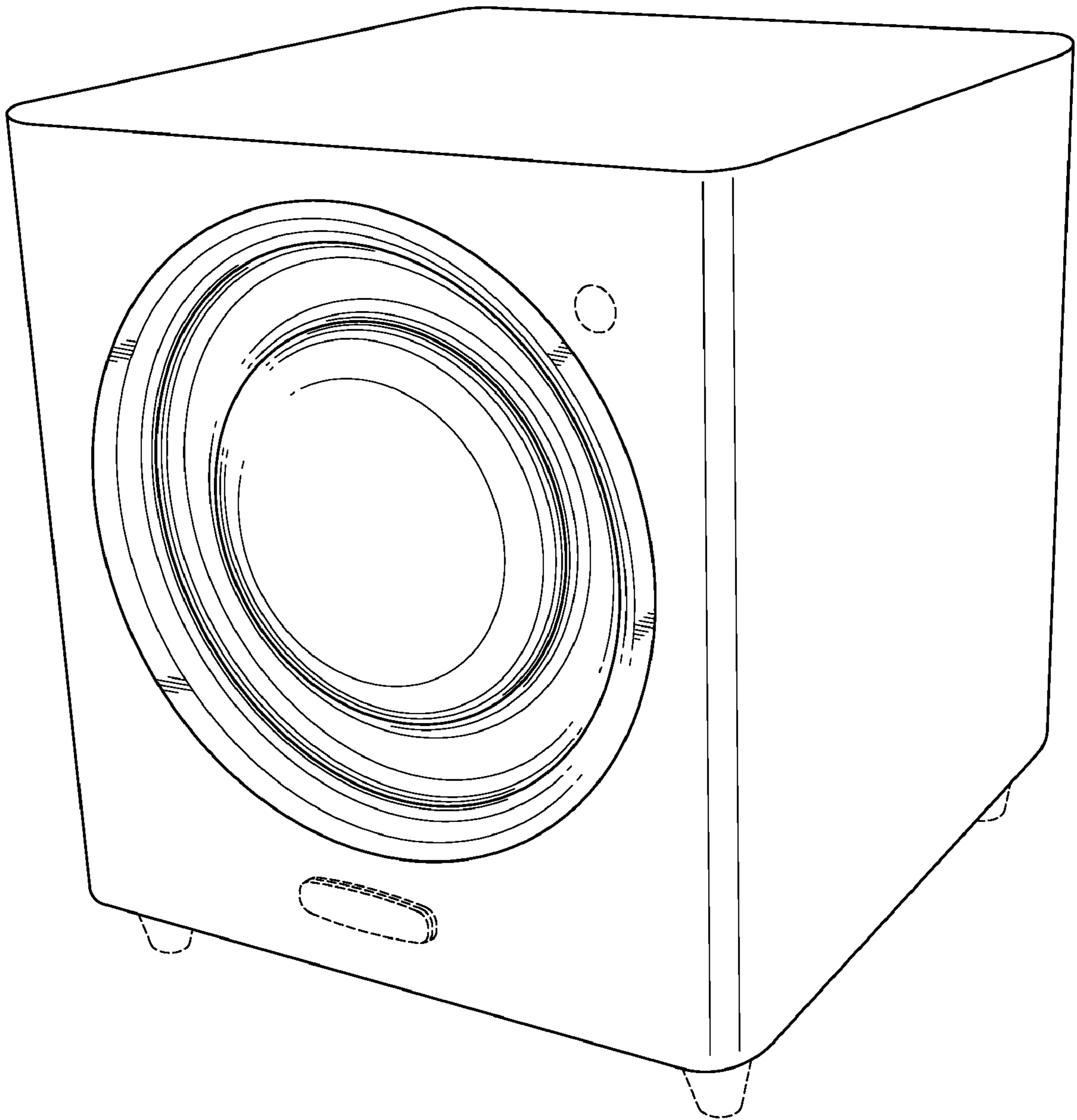


FIG. 1

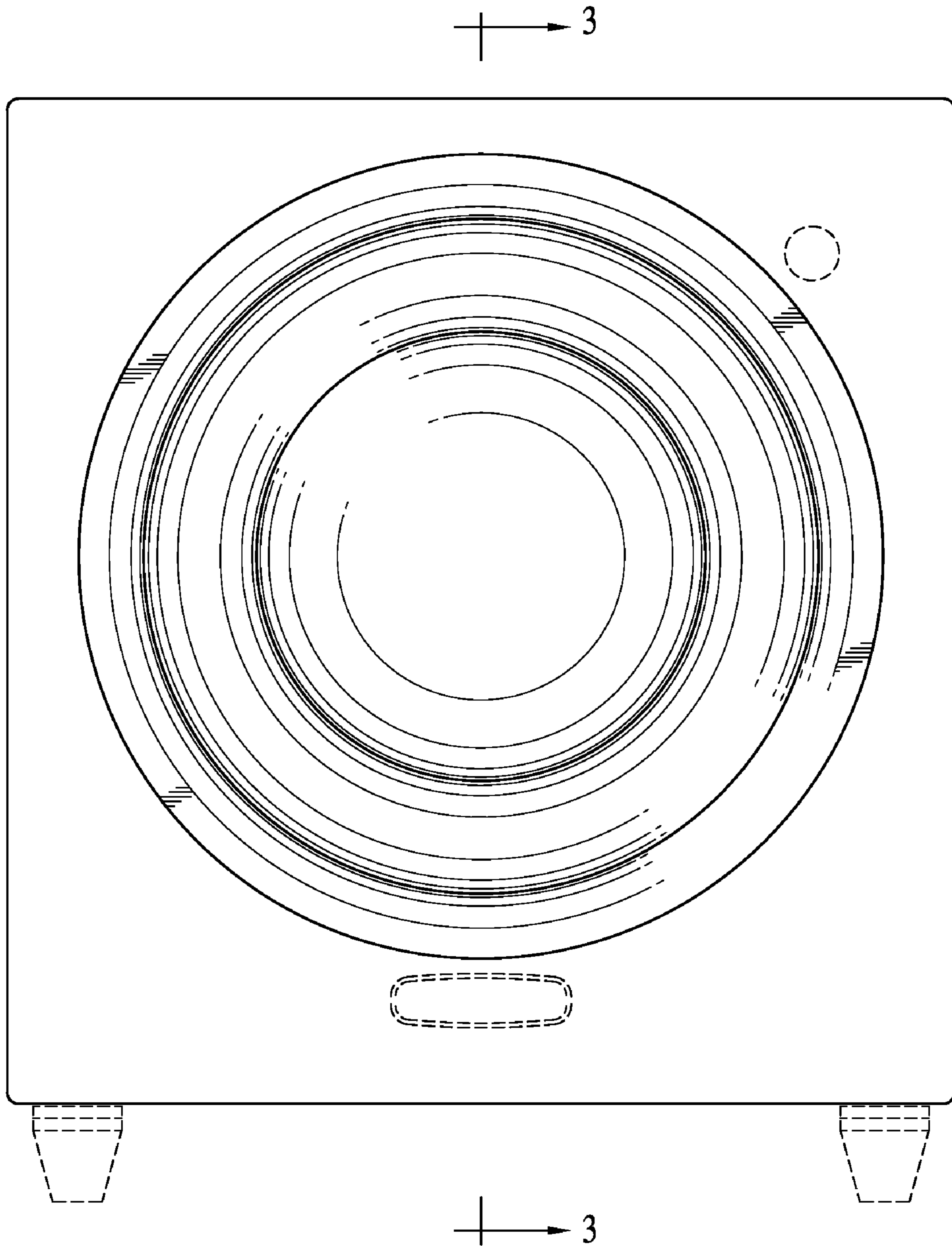


FIG. 2

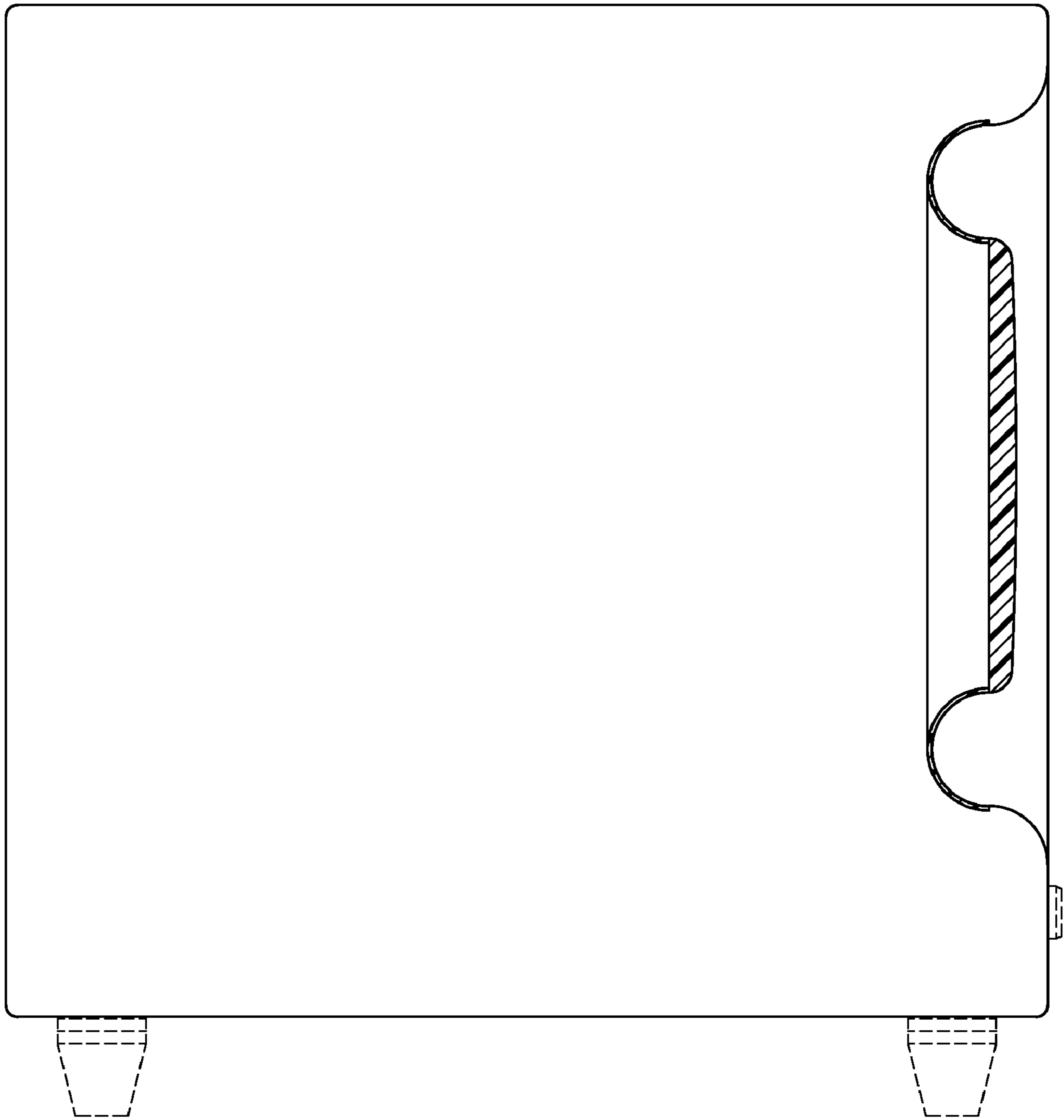


FIG. 3