



US00D617771S

(12) **United States Design Patent**  
**Groves et al.**

(10) **Patent No.:** **US D617,771 S**  
(45) **Date of Patent:** **\*\* \*Jun. 15, 2010**

(54) **COMMUNICATION HEADSET**

(75) Inventors: **William R. Groves**, Naperville, IL (US);  
**Michael A. Minneci**, Cary, IL (US);  
**David P. Townsend**, Lakewood, IL (US)

(73) Assignee: **Motorola, Inc.**, Schaumburg, IL (US)

(\*) Notice: This patent is subject to a terminal disclaimer.

(\*\*) Term: **14 Years**

(21) Appl. No.: **29/321,402**

(22) Filed: **Jul. 16, 2008**

(51) **LOC (9) Cl.** ..... **14-01**

(52) **U.S. Cl.** ..... **D14/206; D14/205**

(58) **Field of Classification Search** ..... D14/205,  
D14/206, 223, 188, 192; D29/112, 122;  
2/209, 171.2, 182.6, 182.7, 410, 423; 181/129,  
181/130; D21/483, 333; 379/430, 433.01,  
379/433.02, 433.03; 381/370, 371, 372,  
381/376, 377, 378, 379, 390, 381; 128/866,  
128/867

See application file for complete search history.

(56) **References Cited**

**U.S. PATENT DOCUMENTS**

D398,309 S \* 9/1998 Bergin et al. .... D14/206  
D406,140 S \* 2/1999 Hall et al. .... D14/205  
D443,603 S \* 6/2001 Taylor et al. .... D14/206  
D463,784 S \* 10/2002 Taylor et al. .... D14/206

D531,165 S \* 10/2006 Rath ..... D14/206  
D532,407 S \* 11/2006 Motoishi ..... D14/205  
D538,261 S \* 3/2007 Taylor et al. .... D14/205  
D538,785 S \* 3/2007 Skulley ..... D14/206  
D540,778 S \* 4/2007 Thompson et al. .... D14/206  
D541,255 S \* 4/2007 Taylor et al. .... D14/205  
D542,774 S \* 5/2007 Rausch et al. .... D14/206  
D589,492 S \* 3/2009 Mistry ..... D14/205  
D602,906 S \* 10/2009 Groves et al. .... D14/205

\* cited by examiner

*Primary Examiner*—Paula Greene

(57) **CLAIM**

The ornamental design for a communication headset, as shown and described.

**DESCRIPTION**

FIG. 1 is a perspective view of a communication headset showing our new design;

FIG. 2 is a front view thereof;

FIG. 3 is a rear view thereof;

FIG. 4 is a side view thereof;

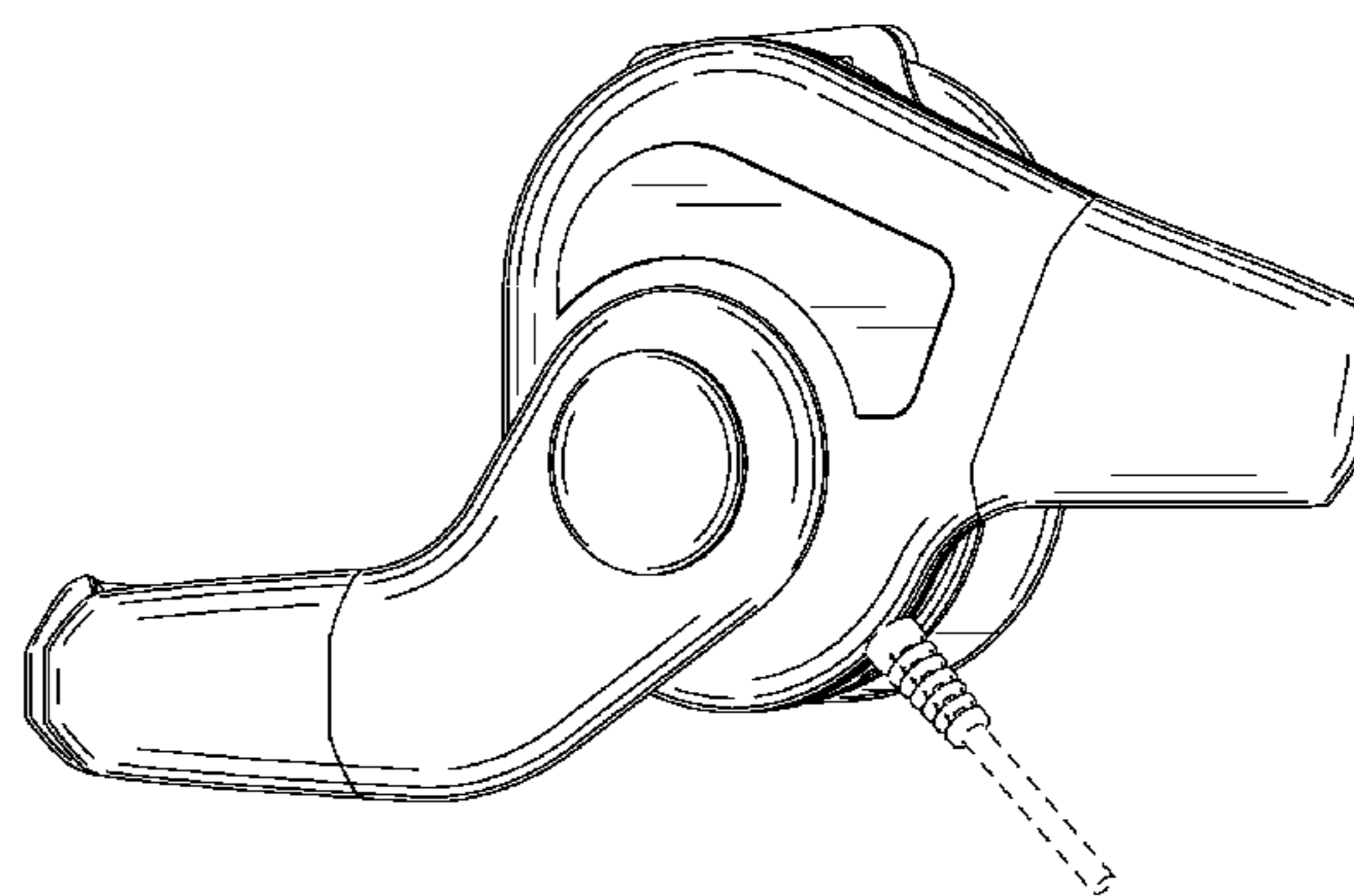
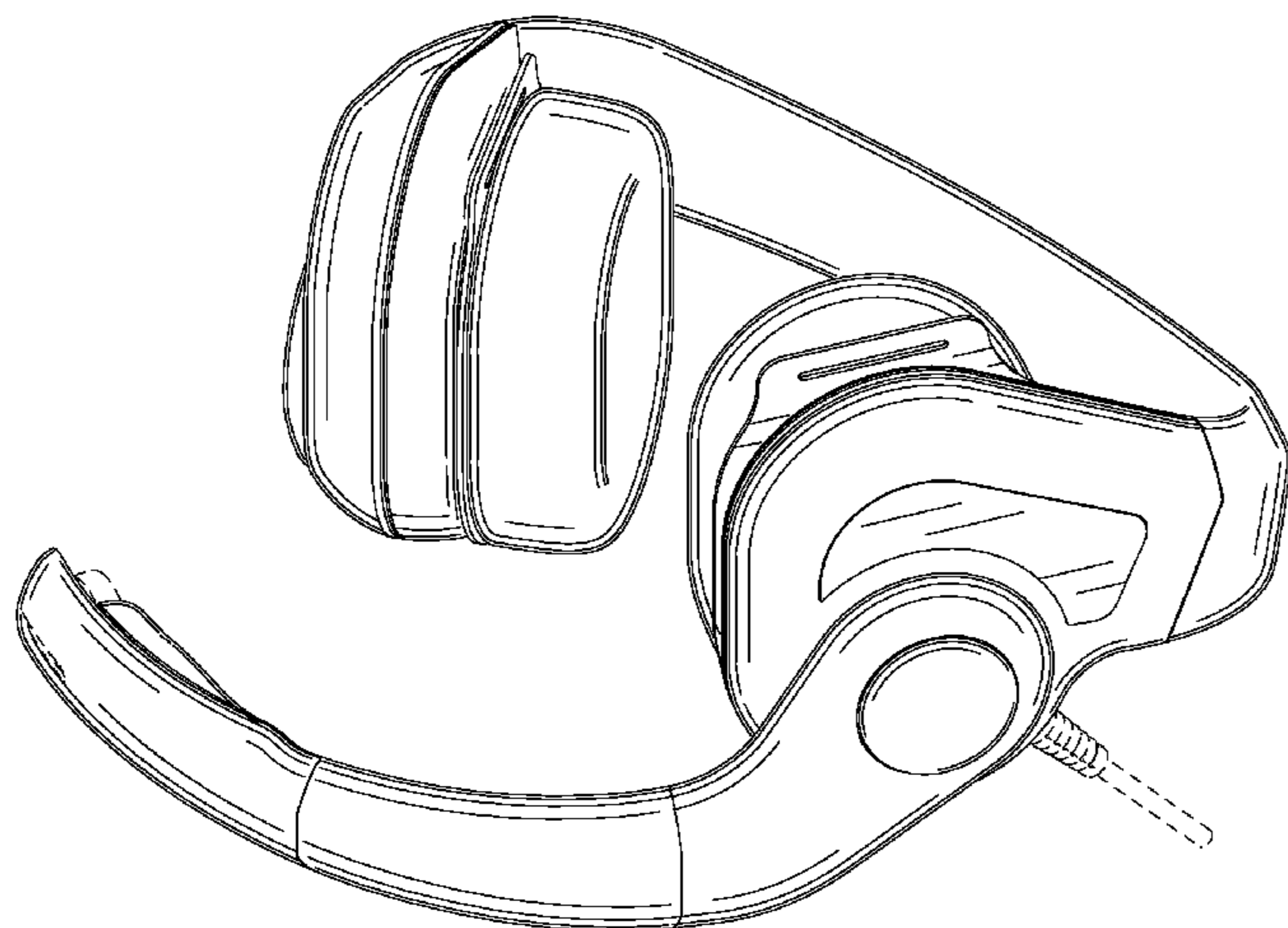
FIG. 5 is a second side view thereof;

FIG. 6 is a top view thereof; and,

FIG. 7 is an opposite side view thereof.

The broken line in FIGS. 1–7 showing environmental structures is for illustrative purposes and forms no part of the claim design.

**1 Claim, 5 Drawing Sheets**



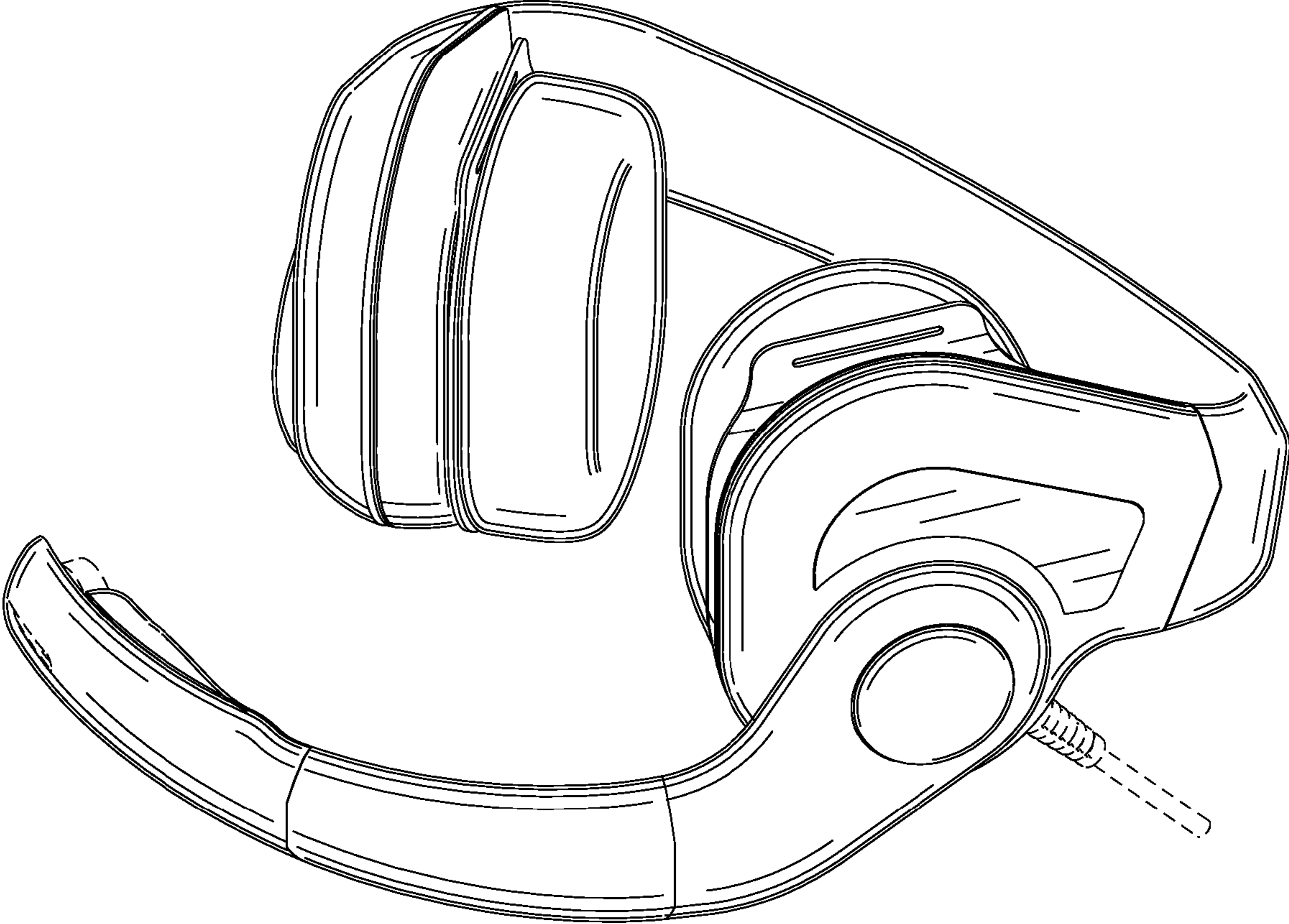


FIG. 1

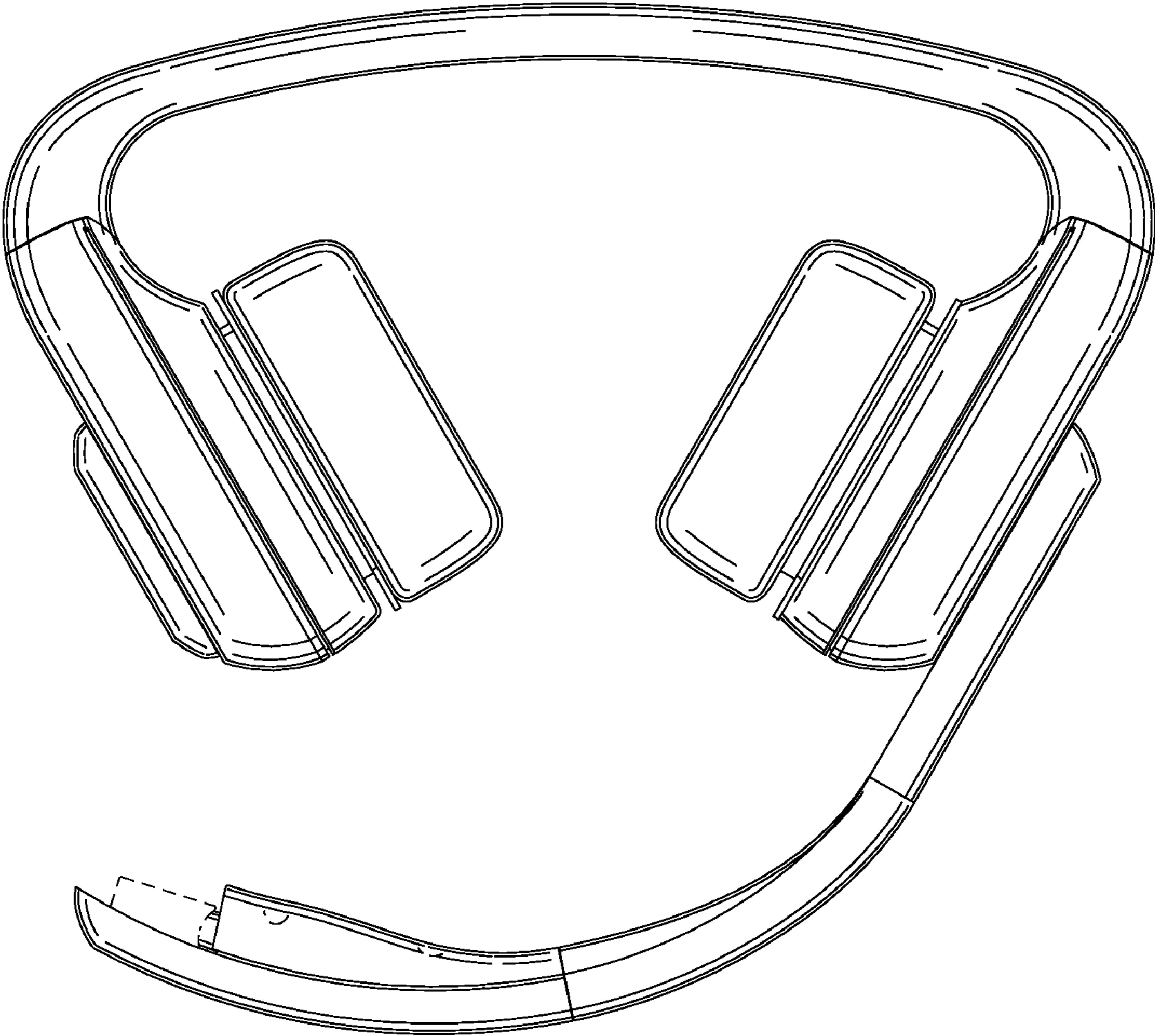


FIG. 2



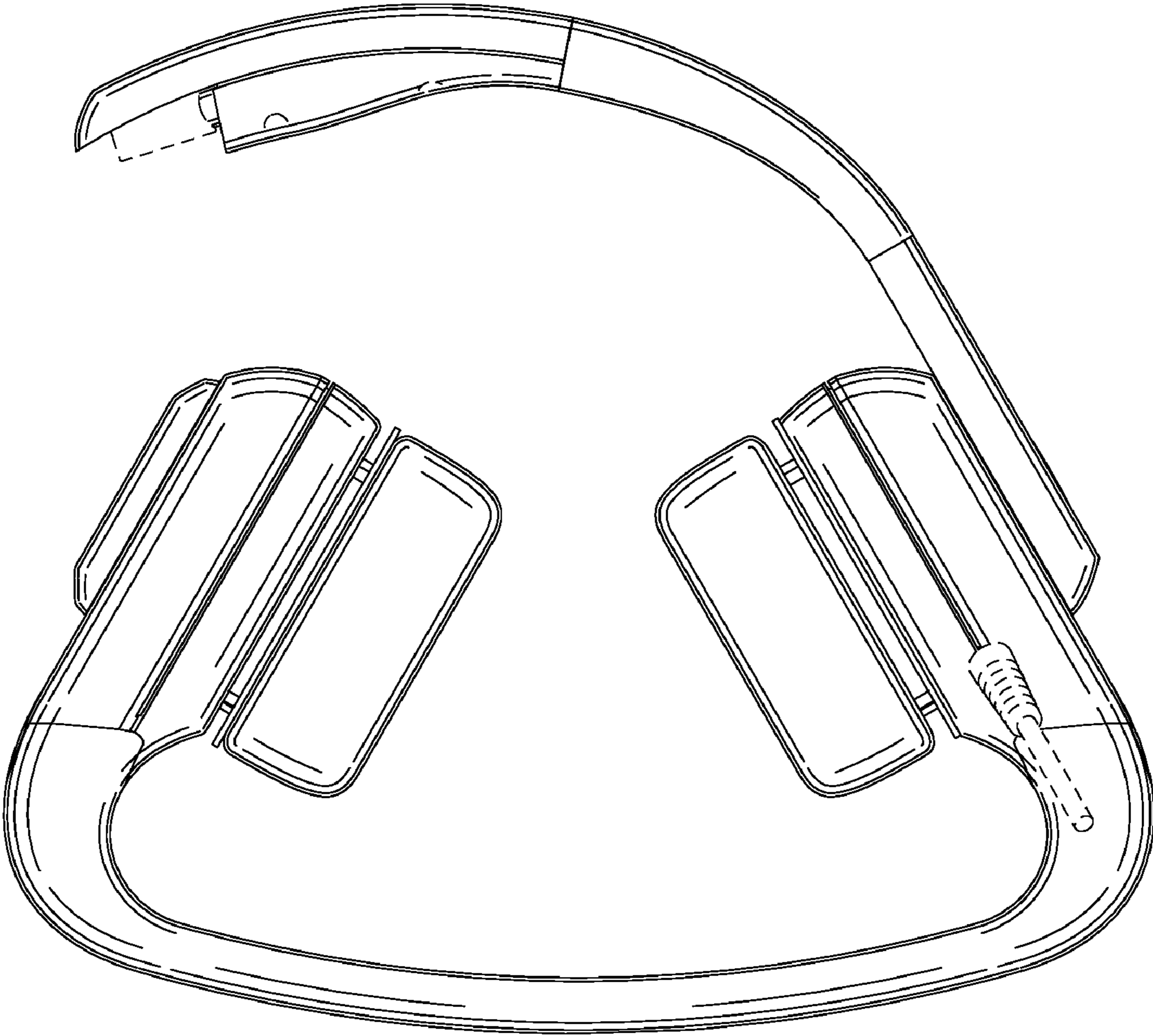


FIG. 3

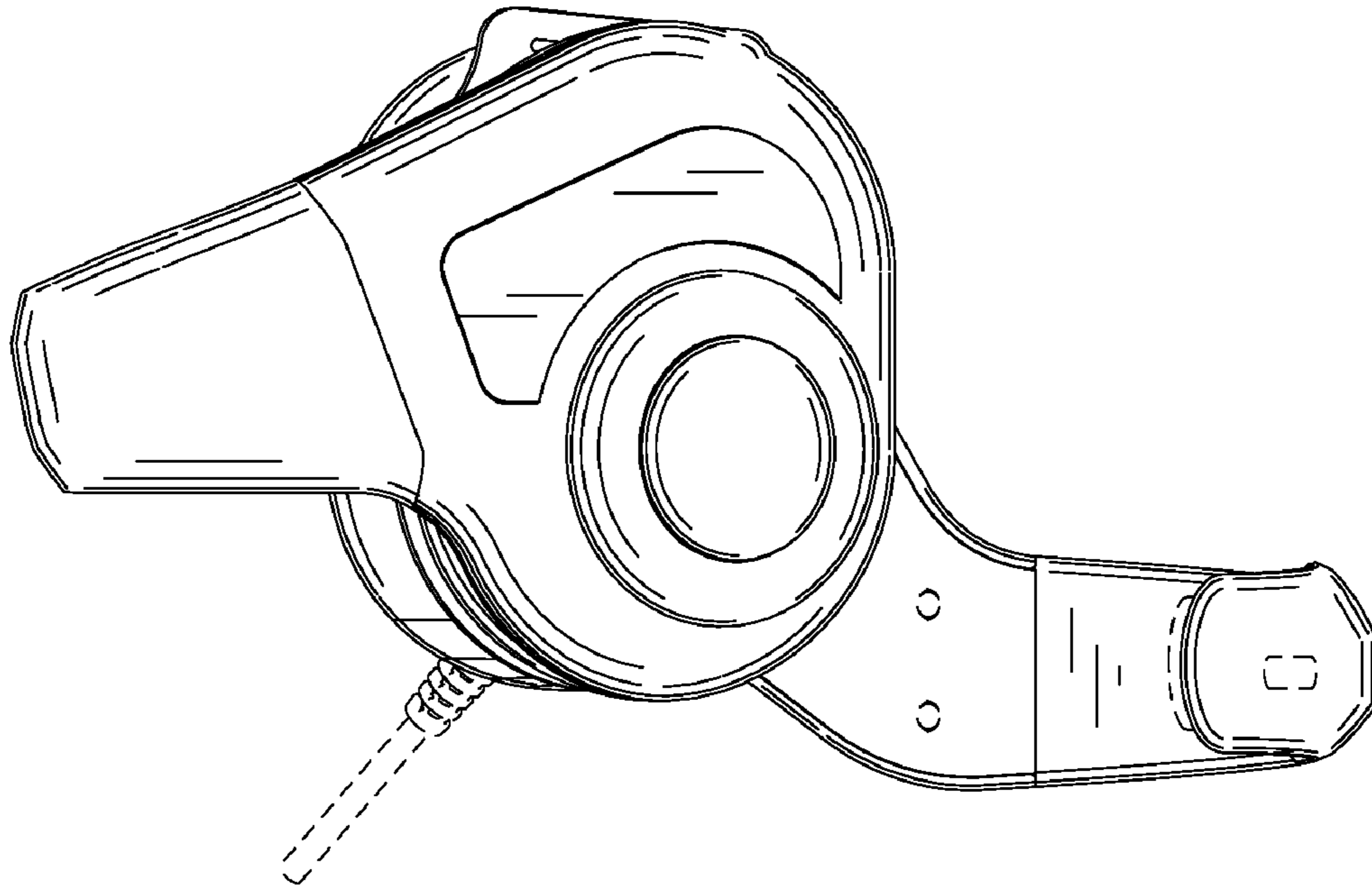


FIG. 4

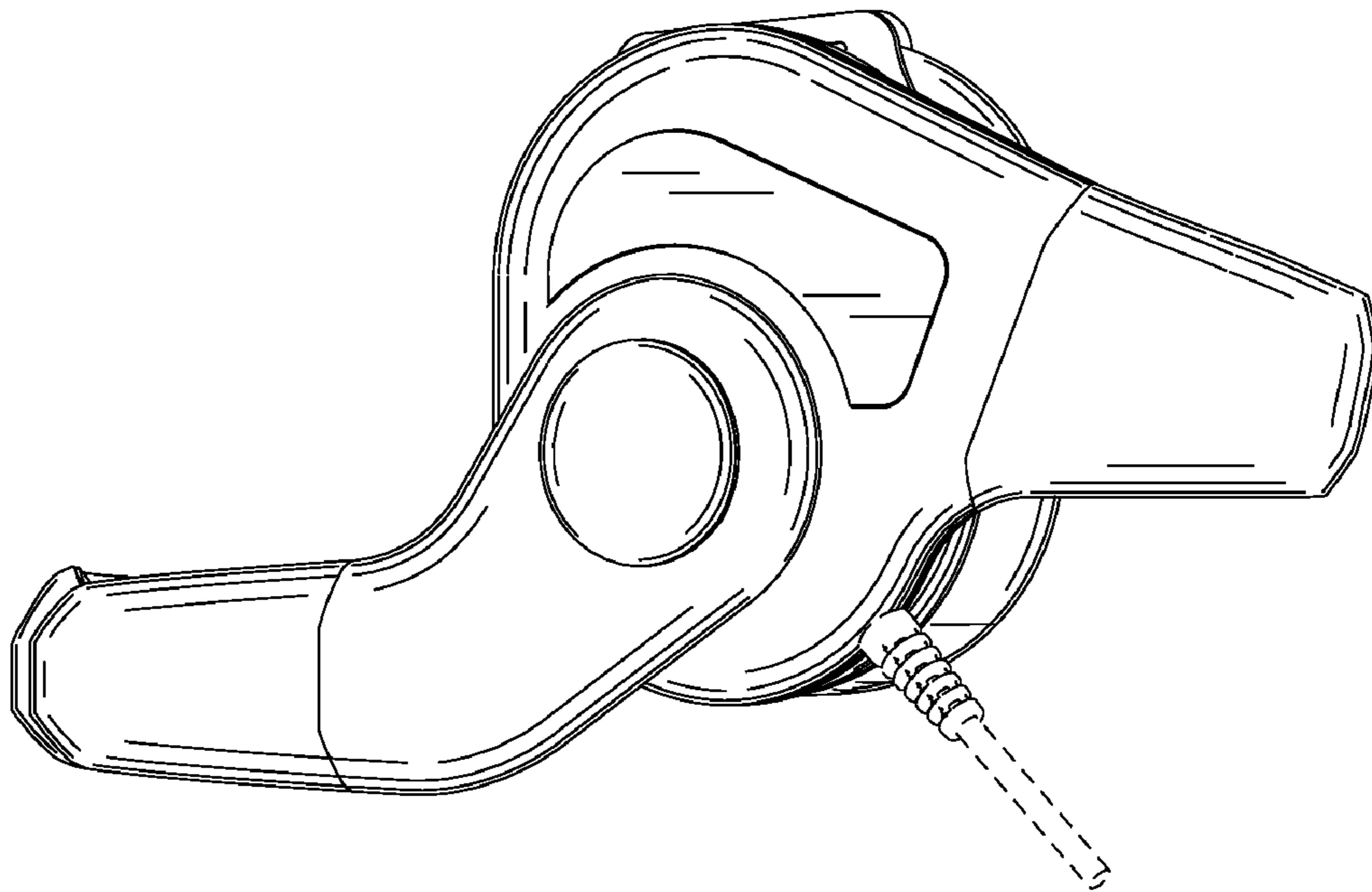


FIG. 5

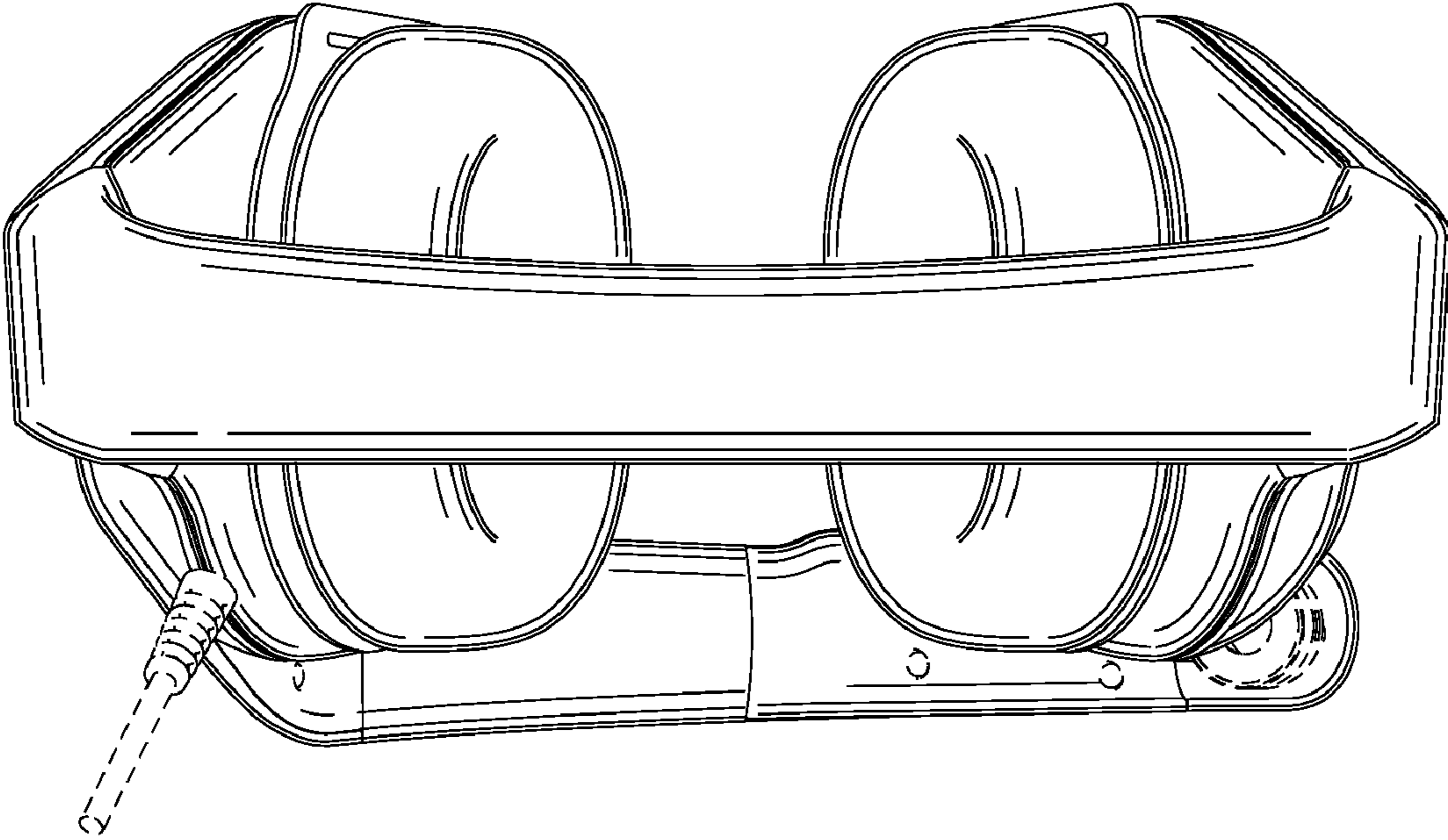


FIG. 6

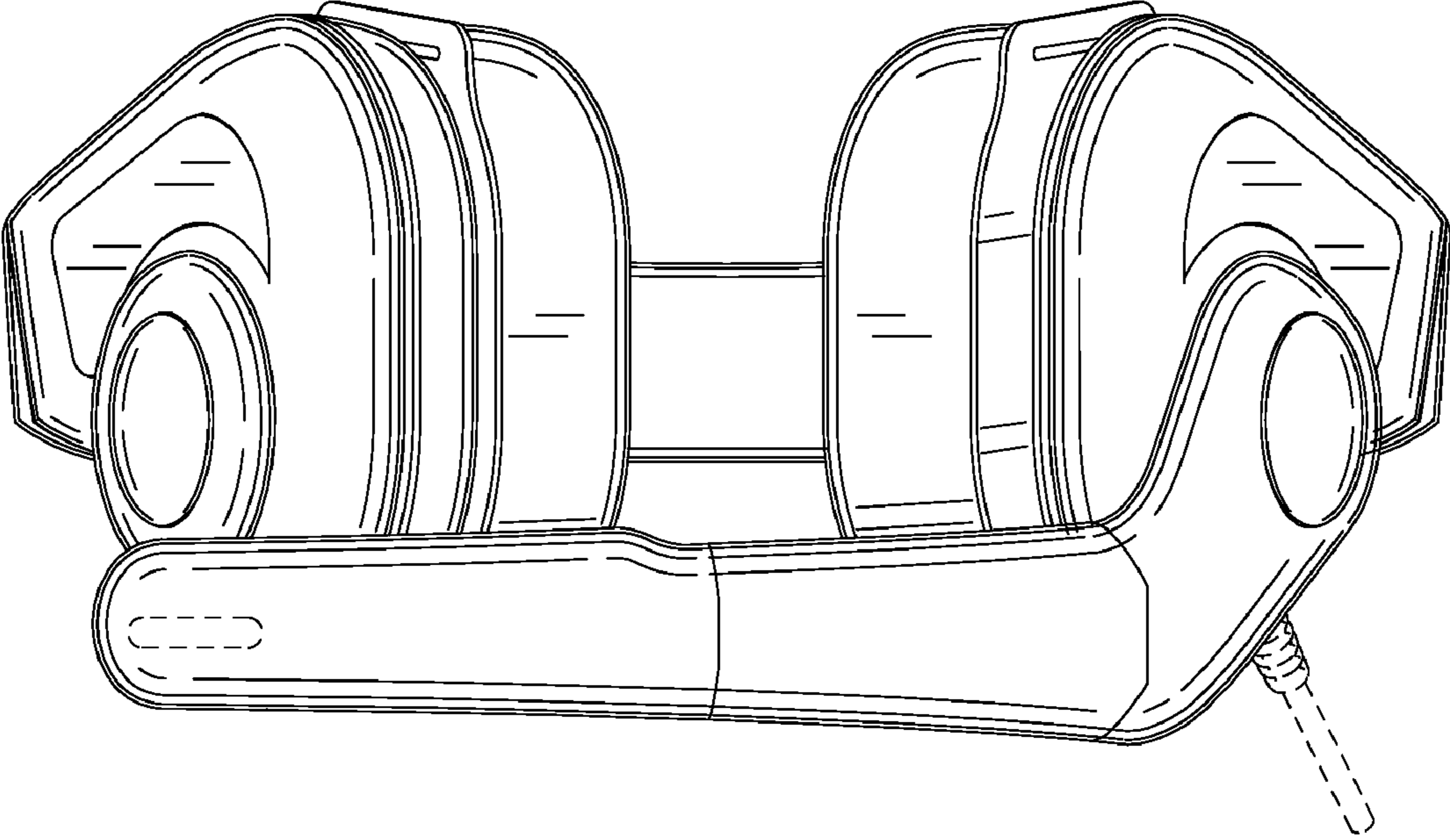


FIG. 7